



US00D352109S

# United States Patent [19]

[11] Patent Number: **Des. 352,109**

Saib

[45] Date of Patent: **\*\* Nov. 1, 1994**

[54] **COSMETIC HAIR EXTRACTOR**

5,041,123 8/1991 Oliveau et al. .... 606/133  
5,133,712 7/1992 McPherson ..... 606/210 X

[76] Inventor: **Kanan Saib**, 200 W. Hyde Park 8C,  
Myrtle Beach, S.C. 29752

*Primary Examiner*—Bernard Ansher  
*Assistant Examiner*—C. Tuttle  
*Attorney, Agent, or Firm*—Terry M. Gernstein

[\*\*] Term: **14 Years**

[21] Appl. No.: **781,295**

[57] **CLAIM**

[22] Filed: **Oct. 23, 1991**

The ornamental design for a cosmetic hair extractor,  
shown and described.

[52] U.S. Cl. .... **D24/133; D28/10**

[58] Field of Search ..... 606/131, 133, 210;  
D24/133, 144, 147, 146, 170; D28/9, 10, 44-54

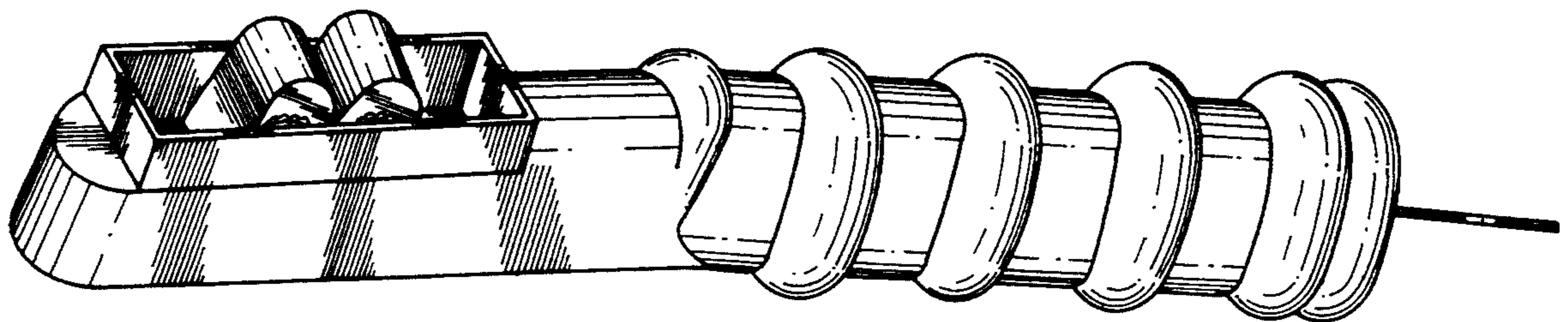
**DESCRIPTION**

[56] **References Cited**

**U.S. PATENT DOCUMENTS**

D. 162,002	2/1951	Brown	.....	D24/146
D. 334,969	4/1993	Gudfin	.....	D24/133
4,726,375	2/1988	Gross	.	
4,807,624	2/1989	Gross	.	
4,899,748	2/1990	Gross	.....	D24/133
4,935,024	6/1990	Dolev	.	

FIG. 1 is a perspective view of the cosmetic hair extractor embodying the design;  
FIG. 2 is a front elevational view thereof;  
FIG. 3 is a rear elevational view thereof;  
FIG. 4 is a side elevational view thereof;  
FIG. 5 is a top plan view thereof; and,  
FIG. 6 is a bottom plan view thereof.  
The cord is shown partially broken away in the several views to indicate indeterminate length.



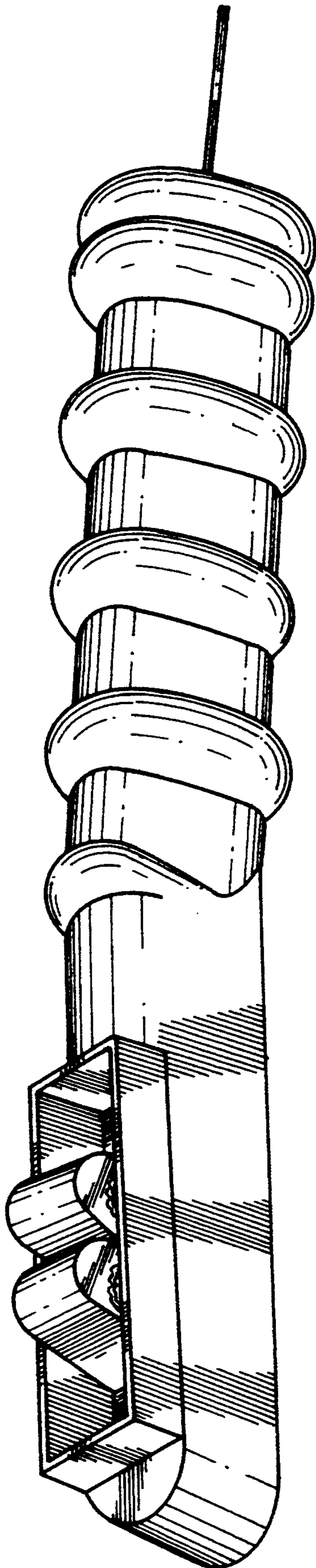


FIG.1.

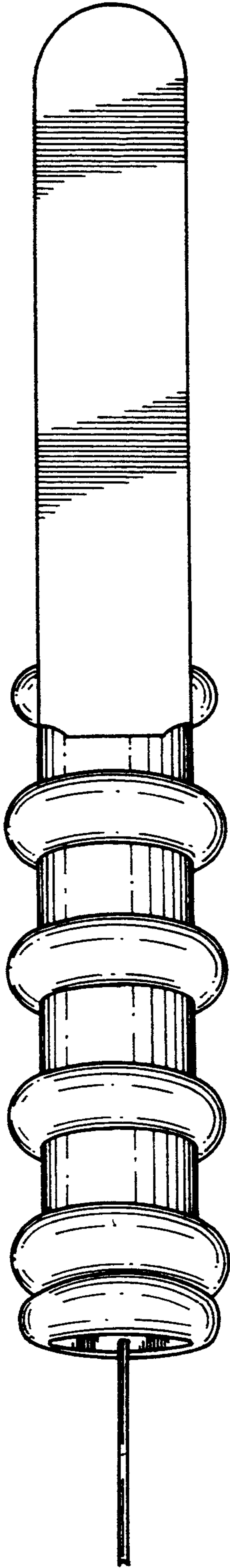


FIG. 6.

FIG. 2.

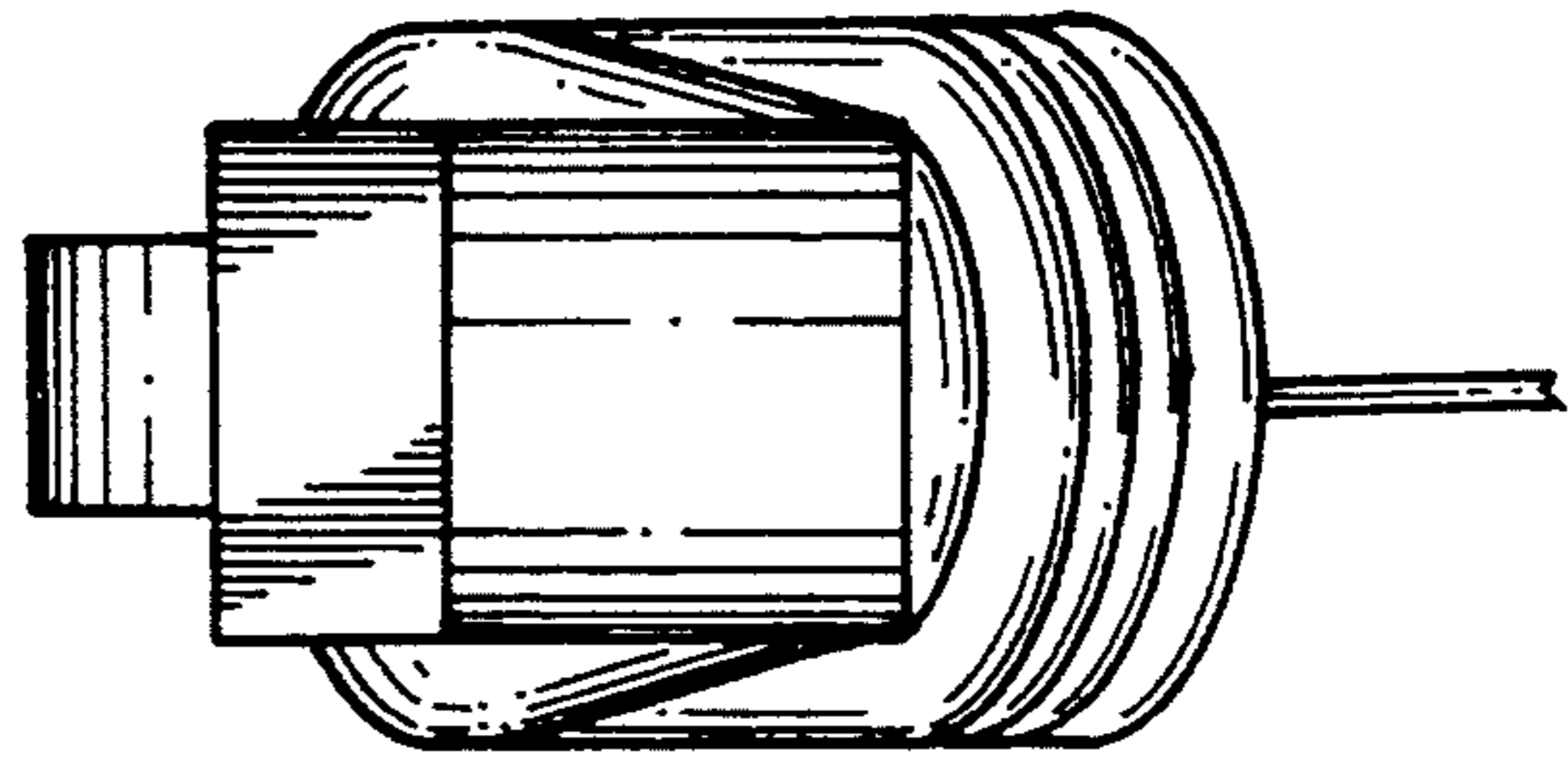


FIG. 3.

