



US00D352108S

# United States Patent [19]

[11] Patent Number: **Des. 352,108**

**Mohiuddin**

[45] Date of Patent: **\*\* Nov. 1, 1994**

[54] **SPLITTABLE EPIDURAL NEEDLE**

5,098,392	3/1992	Fleischhacker et al. ....	D24/130 X
5,100,390	3/1992	Lubeck et al. ....	604/158
5,106,376	4/1992	Mononen et al. ....	604/158 X
5,250,035	10/1993	Smith et al. ....	604/164

[75] Inventor: **Mahmood Mohiuddin, Franklin, Mass.**

[73] Assignee: **The Kendall Company, Mansfield, Mass.**

*Primary Examiner*—A. Hugo Word  
*Assistant Examiner*—I. Simmons  
*Attorney, Agent, or Firm*—Alvin Isaacs

[\*\*] Term: **14 Years**

[57] **CLAIM**

[21] Appl. No.: **7,980**

The ornamental design for a splittable epidural needle, as shown and described.

[22] Filed: **May 7, 1993**

[52] U.S. Cl. .... **D24/112; D24/146**

**DESCRIPTION**

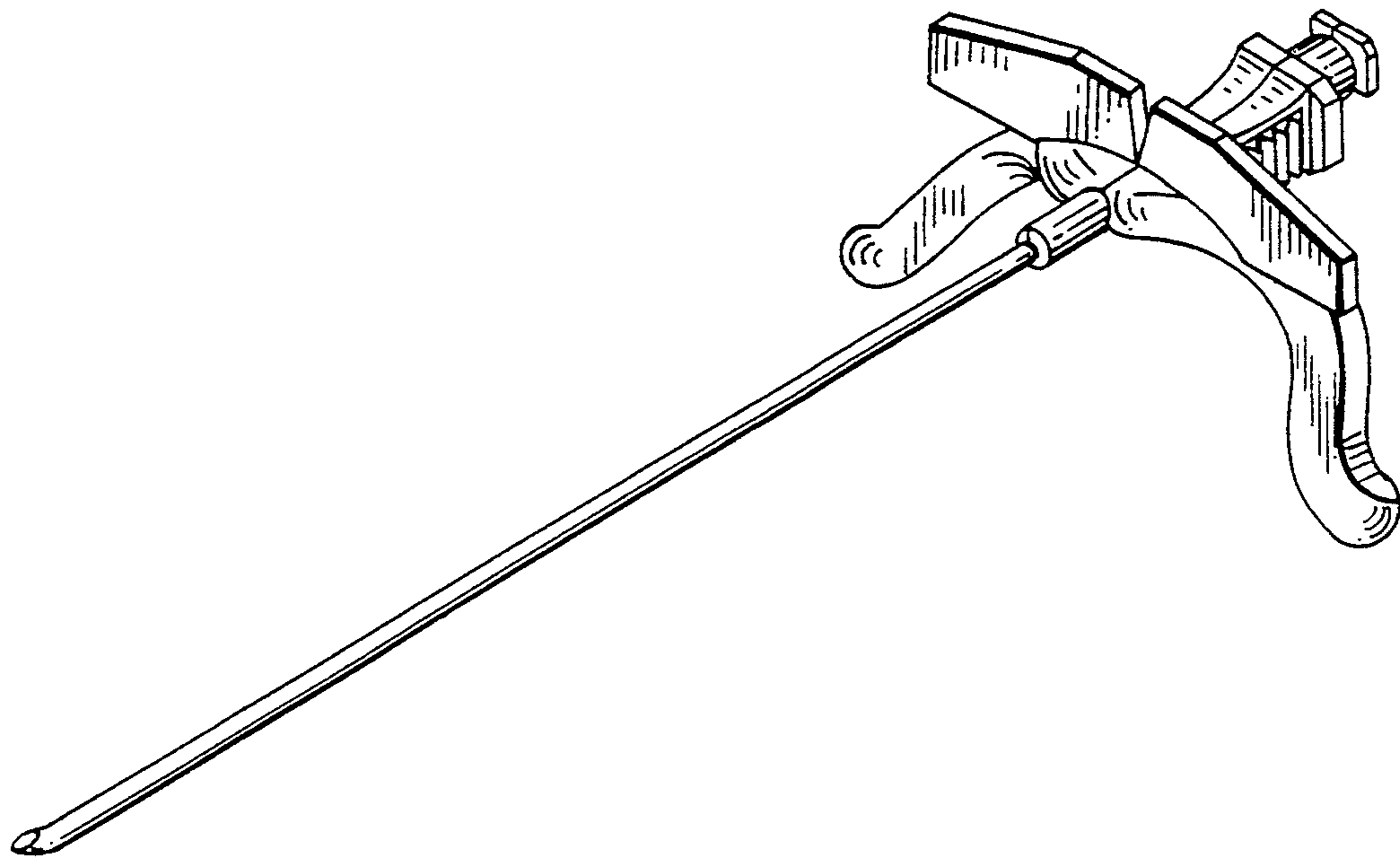
[58] **Field of Search** ..... 604/160, 168, 272, 158, 604/52, 44, 274, 30, 164, 170, 192; 128/753, 754; D24/112, 130, 146

FIG. 1 is a perspective view of a splittable epidural needle showing our new design;  
FIG. 2 is a top plan view thereof;  
FIG. 3 is a bottom plan view thereof;  
FIG. 4 is a front elevational view thereof;  
FIG. 5 is a rear elevational view thereof;  
FIG. 6 is a side elevational view of one side thereof; and,  
FIG. 7 is a side elevational view of the opposed side thereof.

[56] **References Cited**

**U.S. PATENT DOCUMENTS**

D. 302,589	8/1989	McMenamy et al. ....	D24/112
D. 318,733	7/1991	Wyzyala .....	D24/112
4,209,015	6/1980	Wicks .....	604/164
4,865,593	9/1989	Ogawa et al. ....	604/160 X



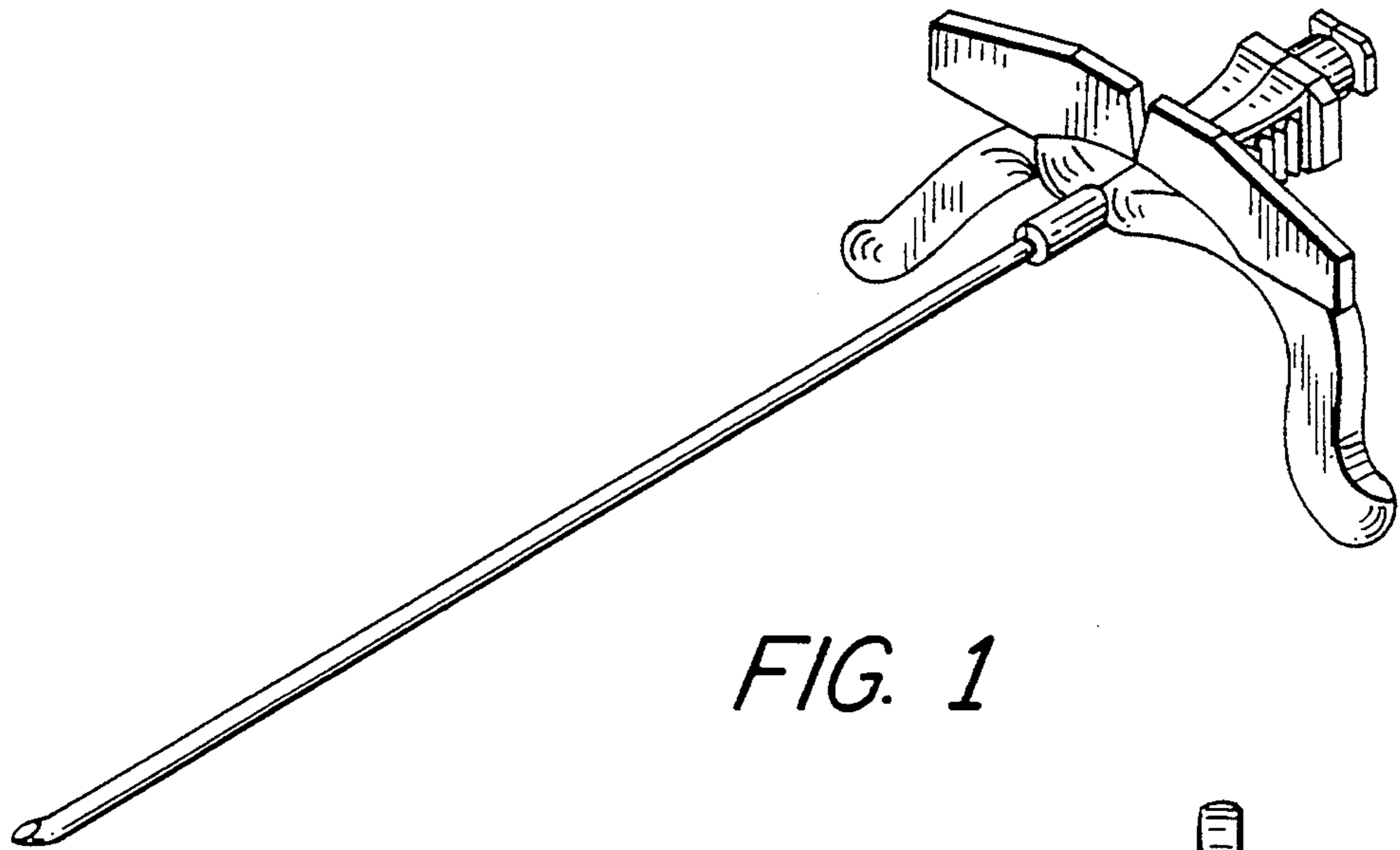


FIG. 1

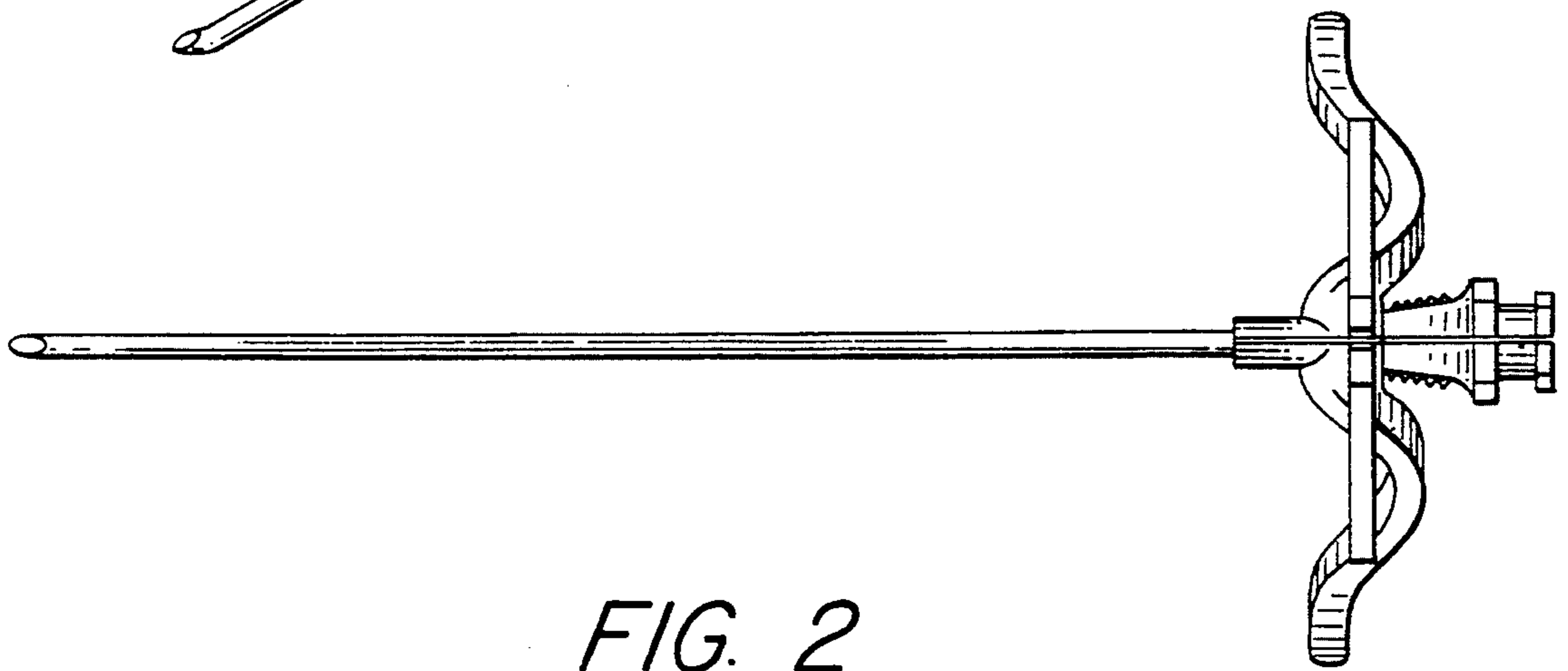


FIG. 2

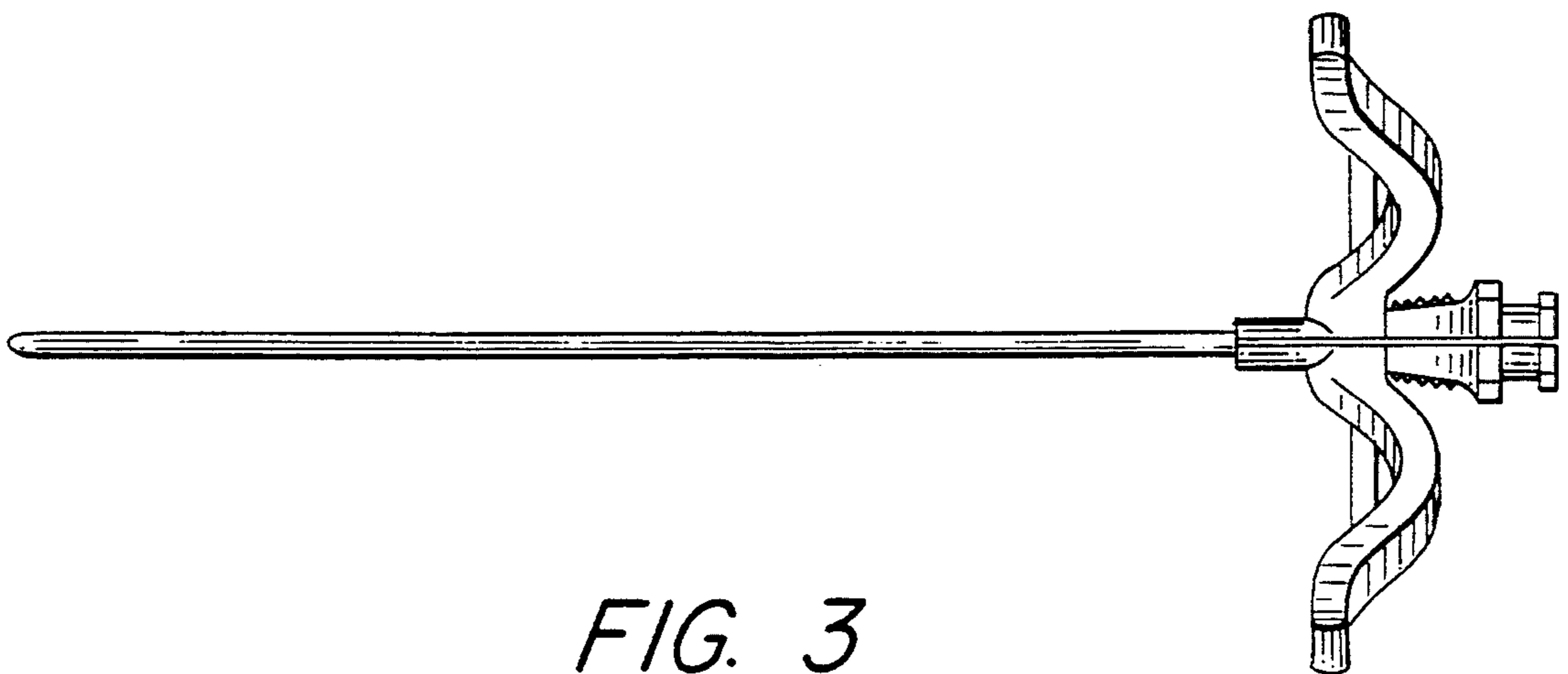


FIG. 3

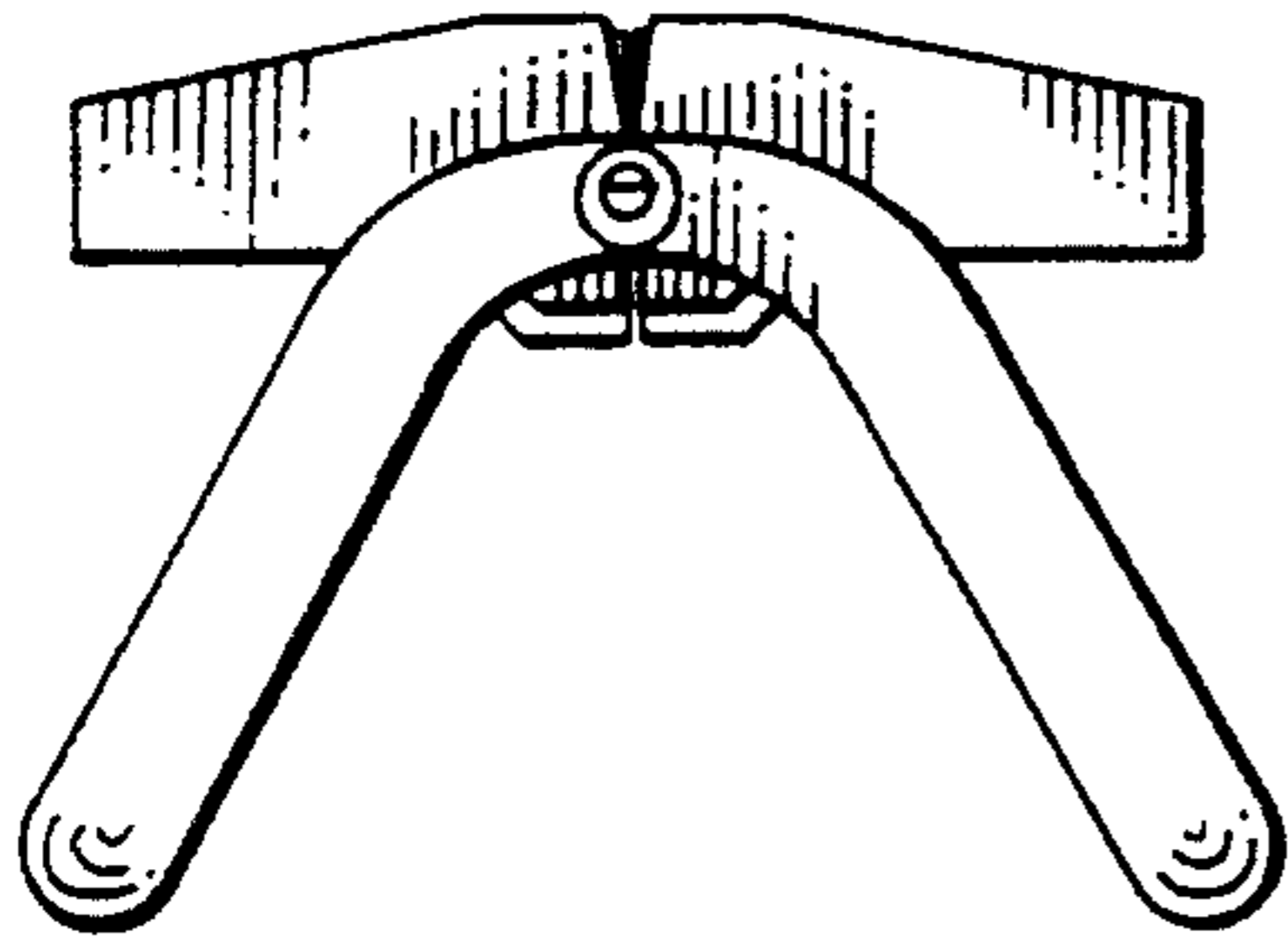


FIG. 4

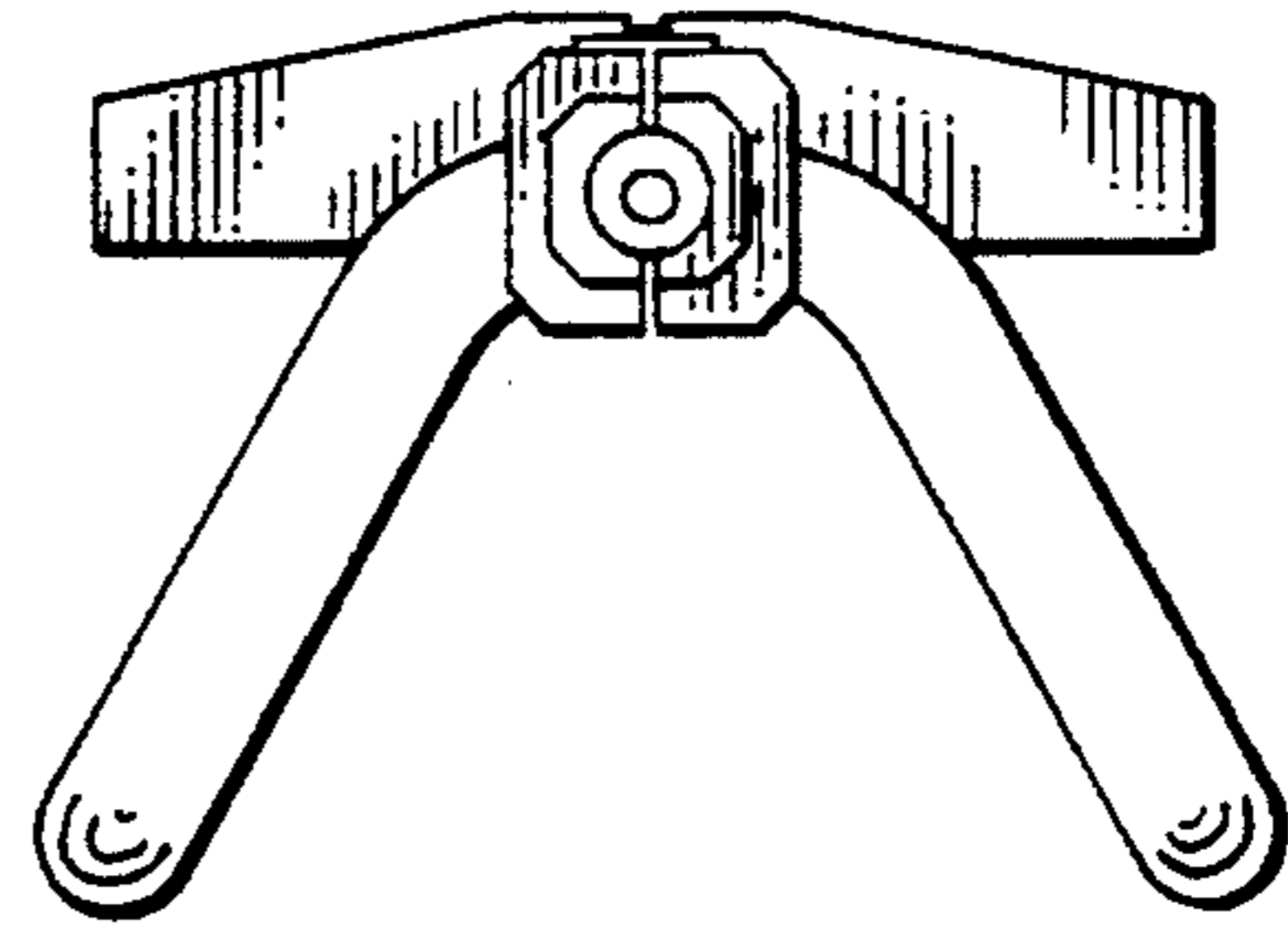


FIG. 5

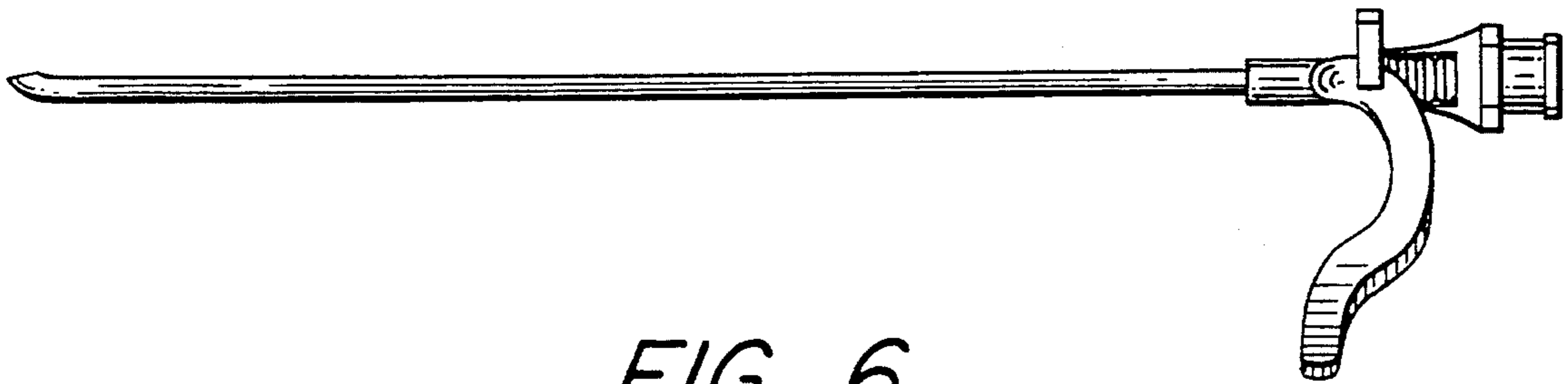


FIG. 6

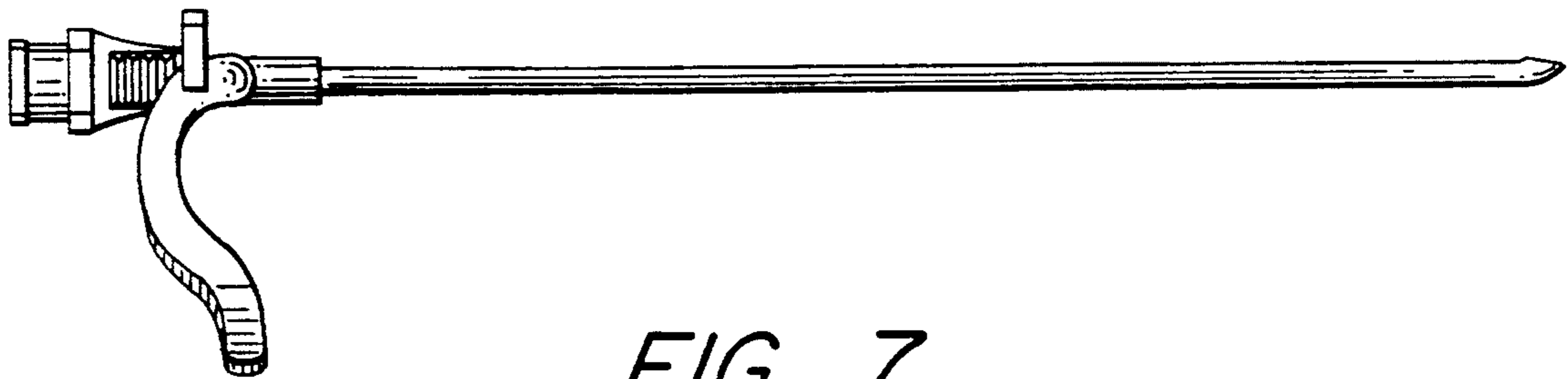


FIG. 7