



US00D352107S

# United States Patent [19]

[11] Patent Number: **Des. 352,107**

Meier et al.

[45] Date of Patent: **\*\* Nov. 1, 1994**

[54] **INHALER**

[56] **References Cited**

[75] Inventors: **Chris Meier, Witterswil; Daniel Altermatt, Münchenstein, both of Switzerland; Hanspeter Hilpert, Rheinfelden/Nollingen, Germany; Satish C. Khanna, Bottmingen; Werner F. Dubach, Maur, both of Switzerland; Anton Spaltenstein, Bassersdorf, Switzerland**

**U.S. PATENT DOCUMENTS**

D. 197,687	3/1964	Gurian et al.	.....	D24/110
D. 311,443	10/1990	Long et al.	.....	D24/110
D. 326,518	5/1992	Verebelyi	.....	D24/110
4,291,688	9/1981	Kistler	.....	128/200.23
4,969,578	11/1990	Gander et al.	.....	128/200.23 X

*Primary Examiner*—A. Hugo Word  
*Assistant Examiner*—I. Simmons  
*Attorney, Agent, or Firm*—Irving M. Fishman; Karen G. Kaiser

[73] Assignee: **Ciba-Geigy Corporation, Ardsley, N.Y.**

[57] **CLAIM**

The ornamental design for an inhaler, as shown and described.

[\*\*] Term: **14 Years**

**DESCRIPTION**

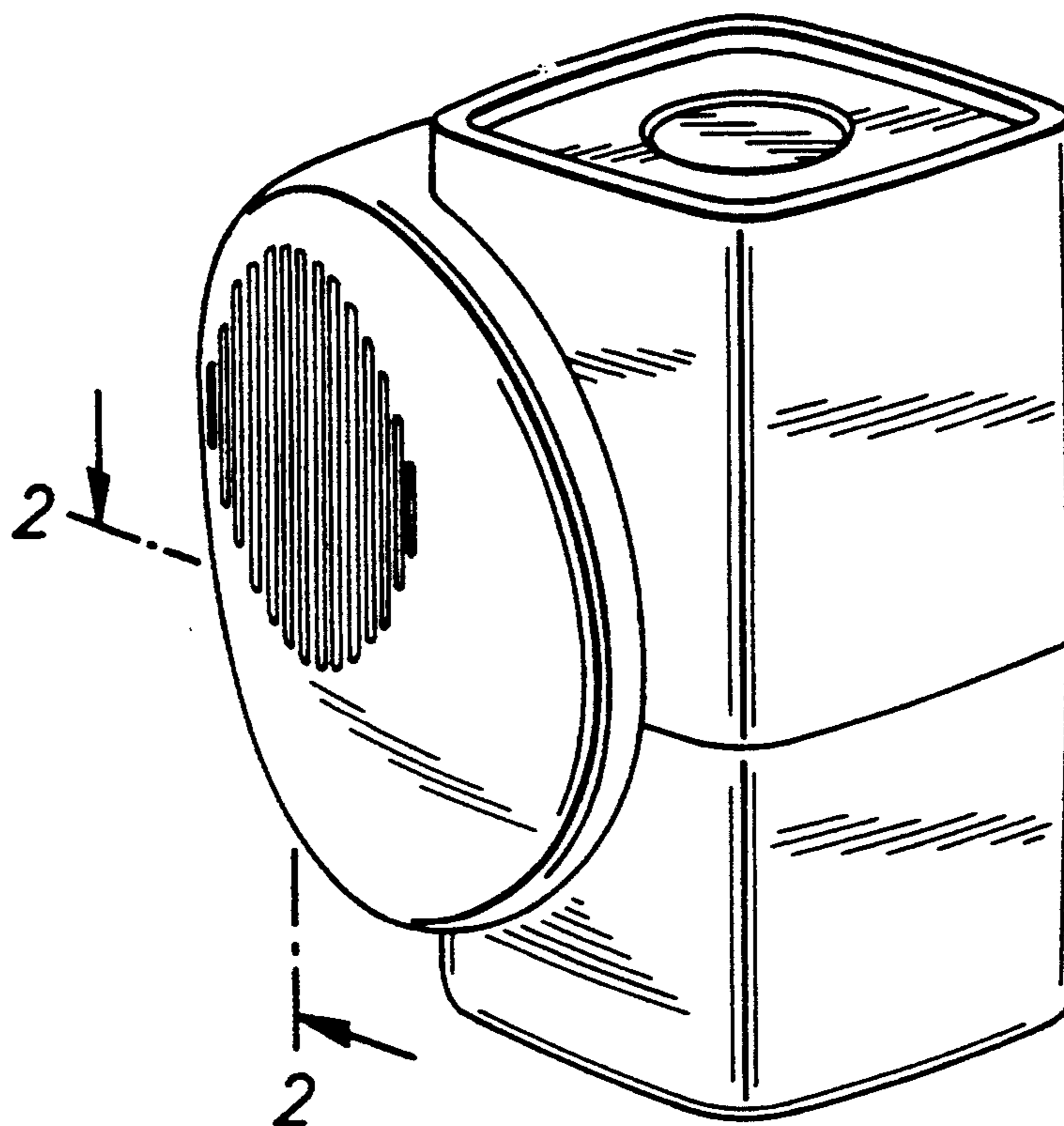
[21] Appl. No.: **2,441**

FIG. 1 is a perspective view of an inhaler, showing our new design;  
FIG. 2 is an enlarged partial cross-sectional view thereof, taken along the line 2—2 of FIG. 1;  
FIG. 3 is a side elevational view thereof the opposite side elevational view being identical thereto;  
FIG. 4 is a front elevational view thereof;  
FIG. 5 is a rear elevational view thereof;  
FIG. 6 is a top plan view thereof; and,  
FIG. 7 is a bottom plan view thereof.

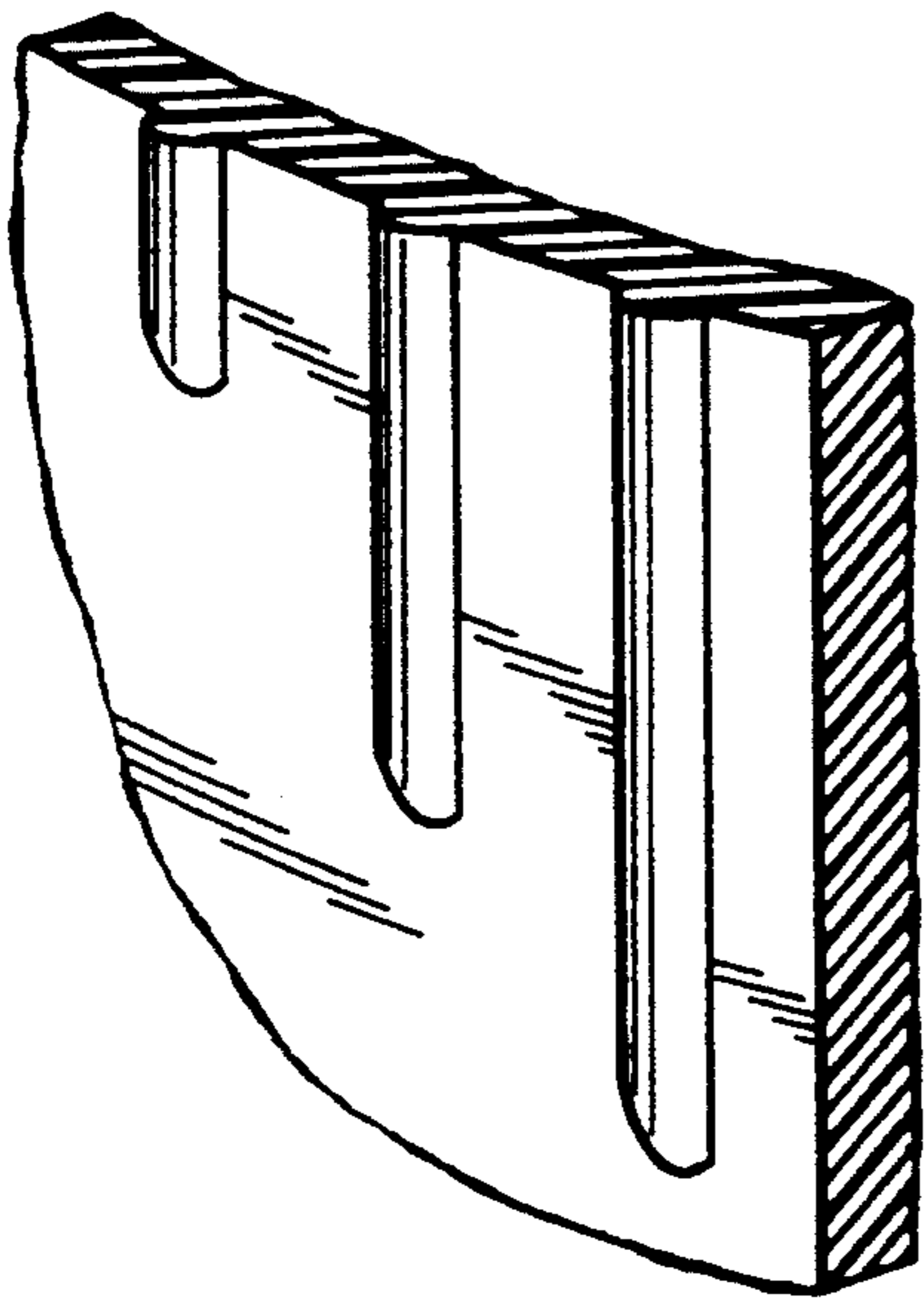
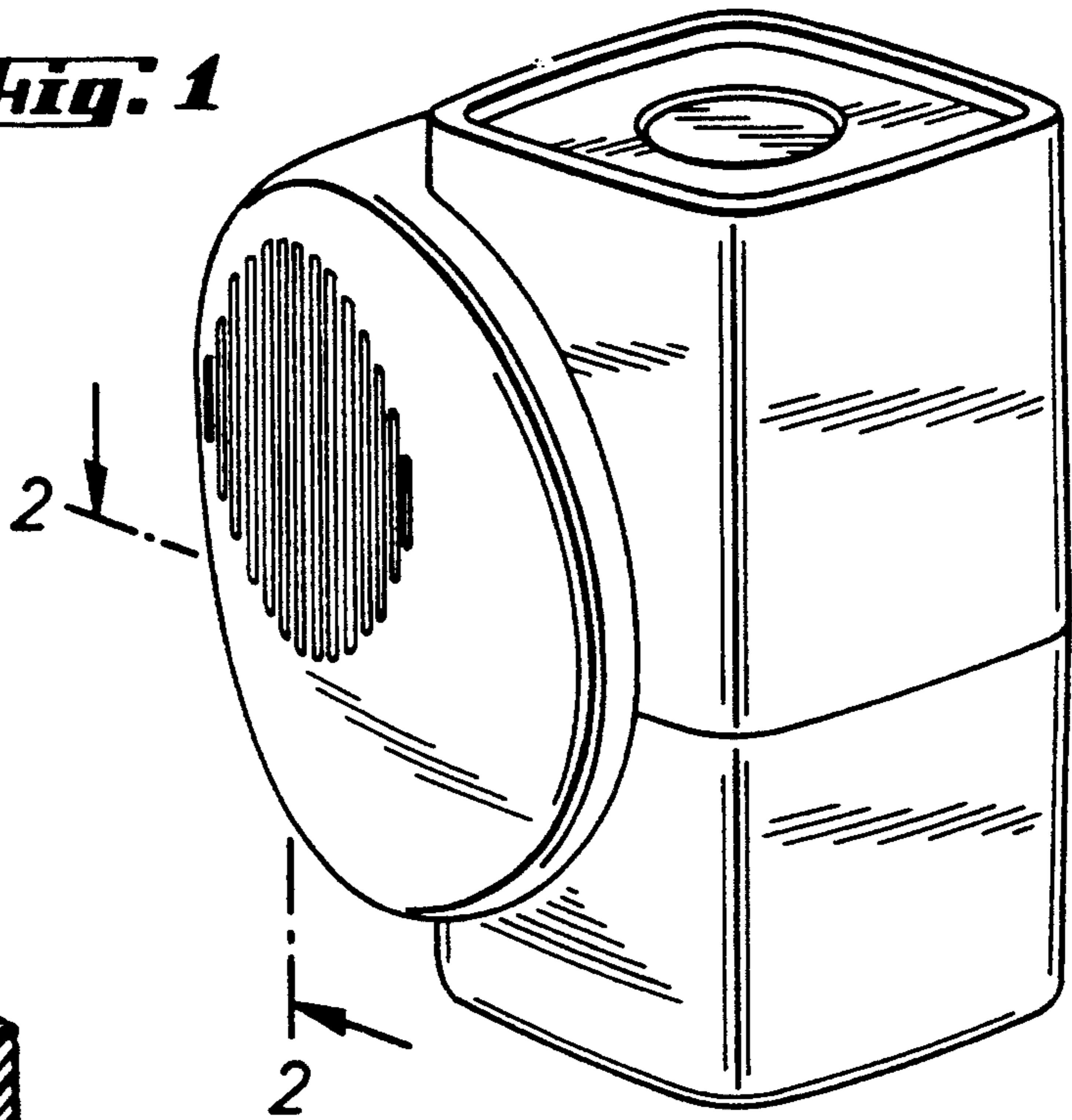
[22] Filed: **Dec. 10, 1992**

[52] U.S. Cl. .... **D24/110**

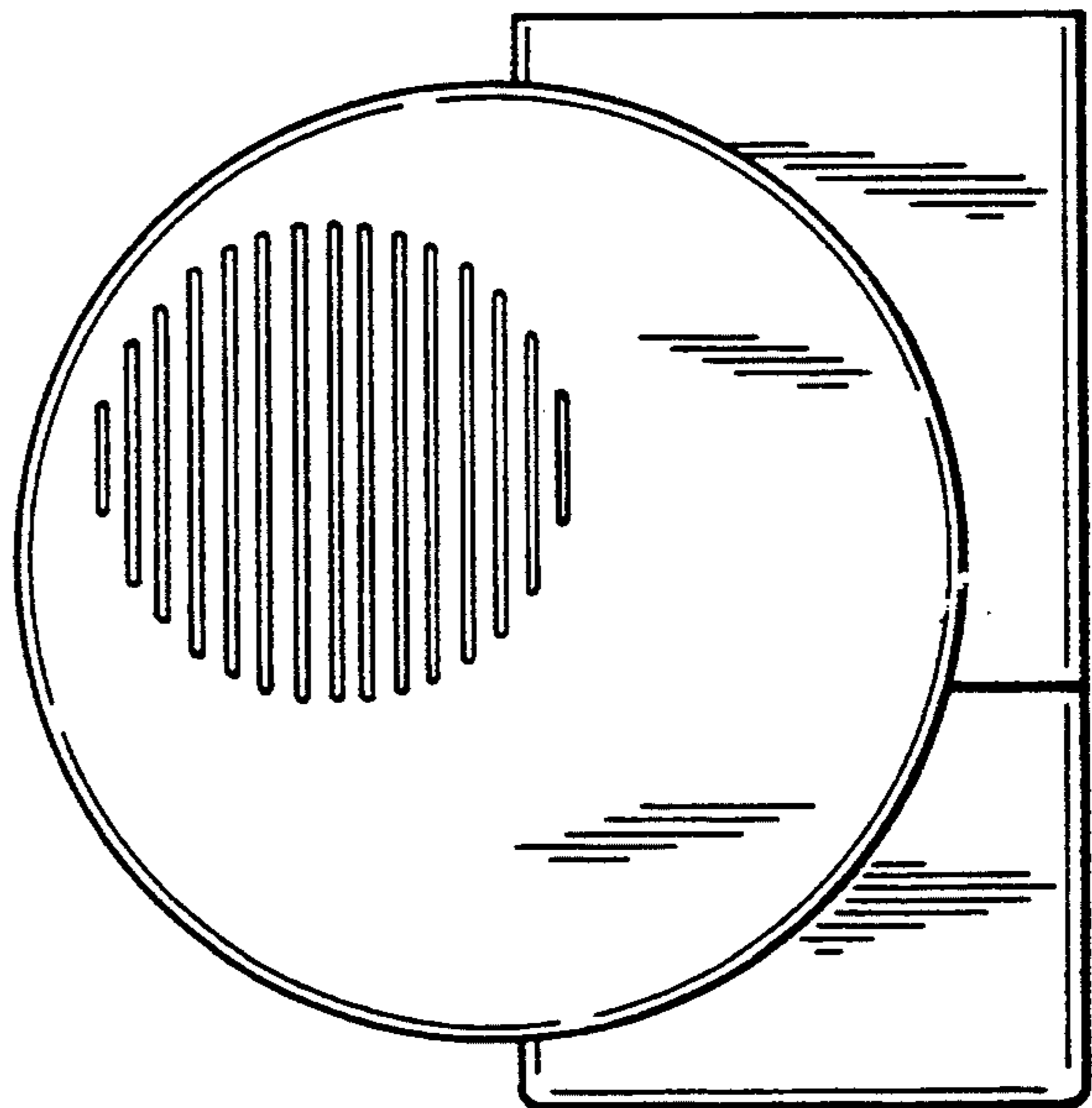
[58] Field of Search ..... 128/200.12, 200.14, 128/200.23, 203.12, 203.15, 203.22, 203.23, 202.17, 200.21, 200.25; D24/110



**Fig. 1**

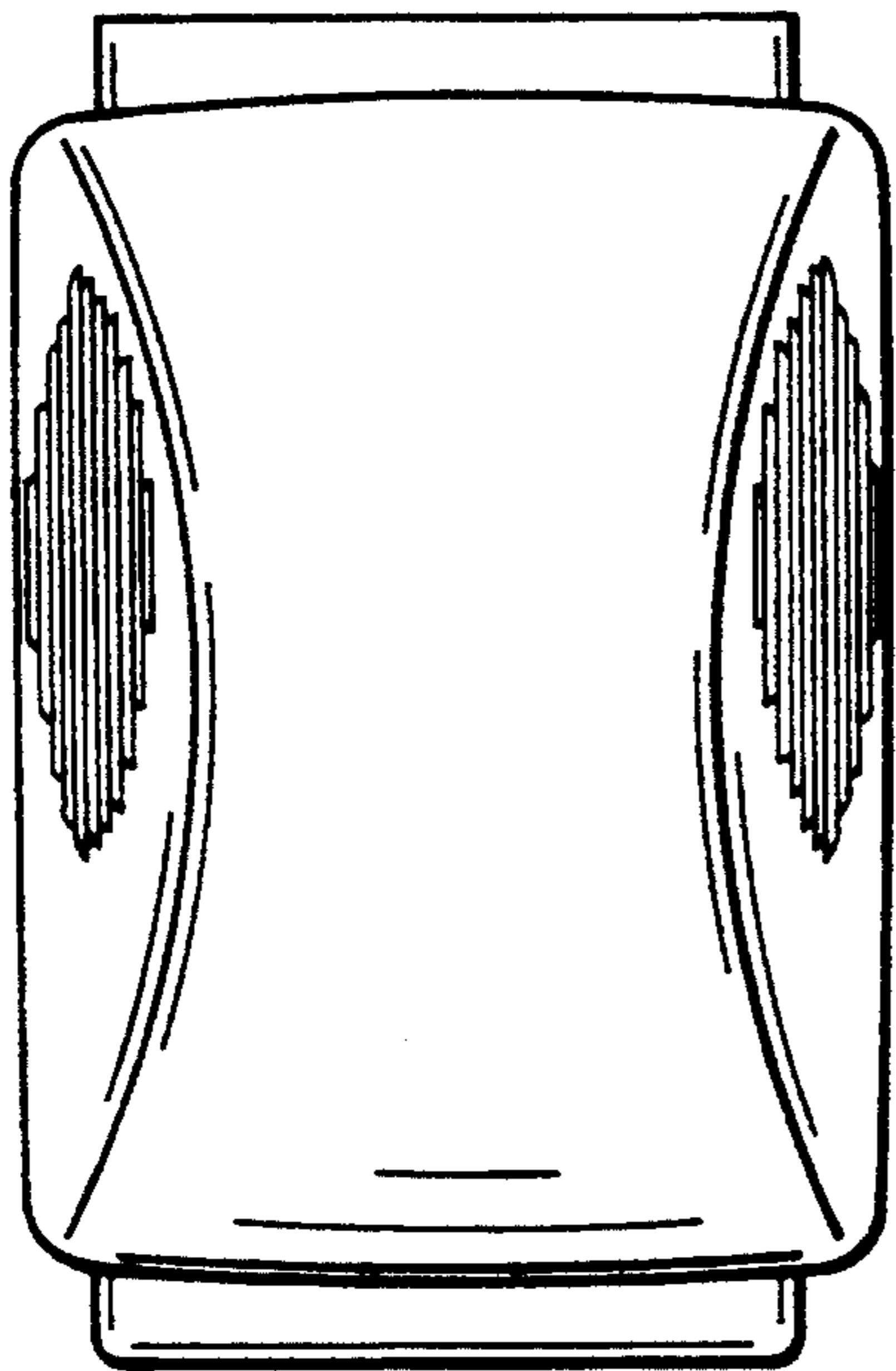


**Fig. 2**

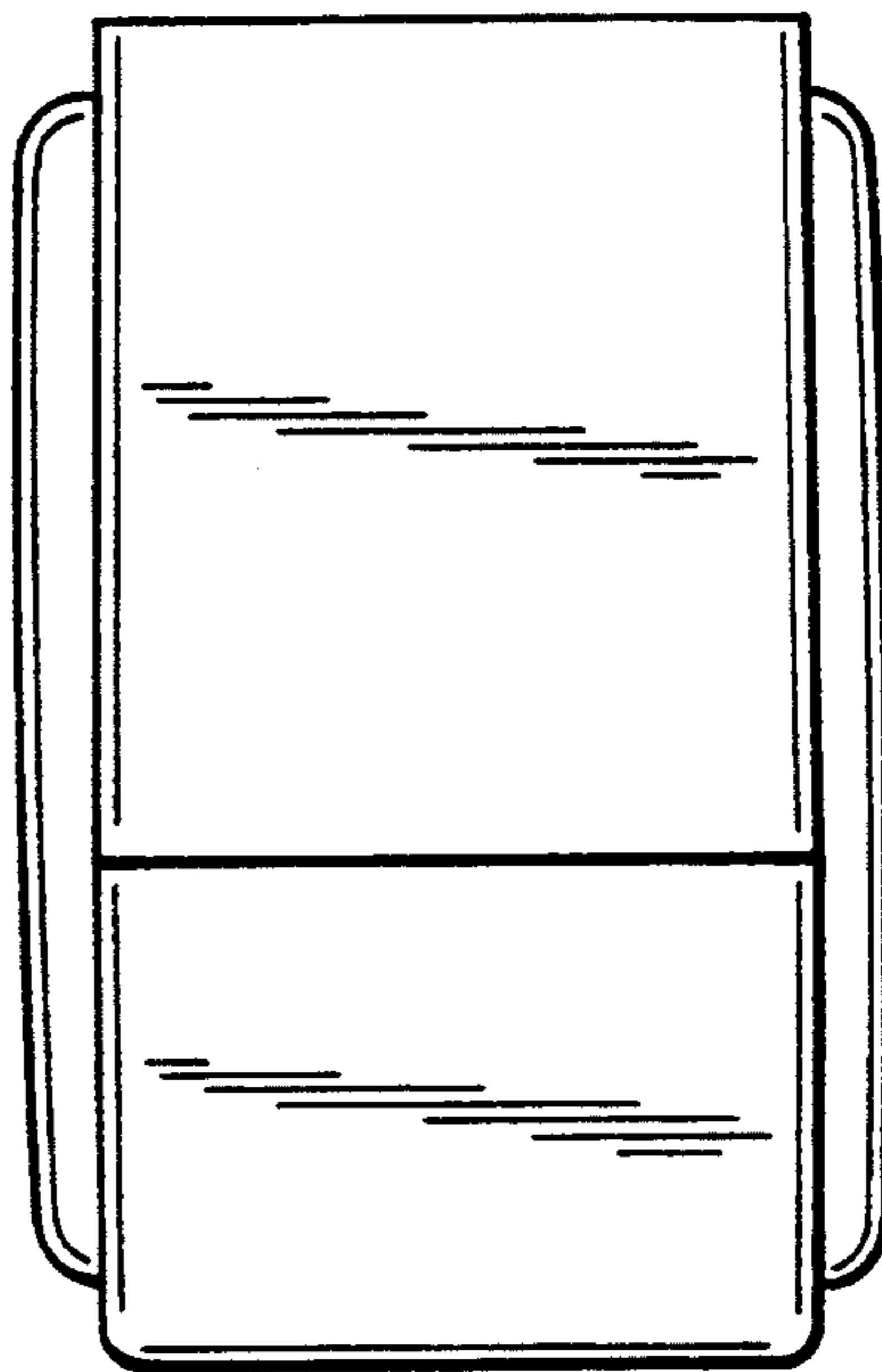


**Fig. 3**

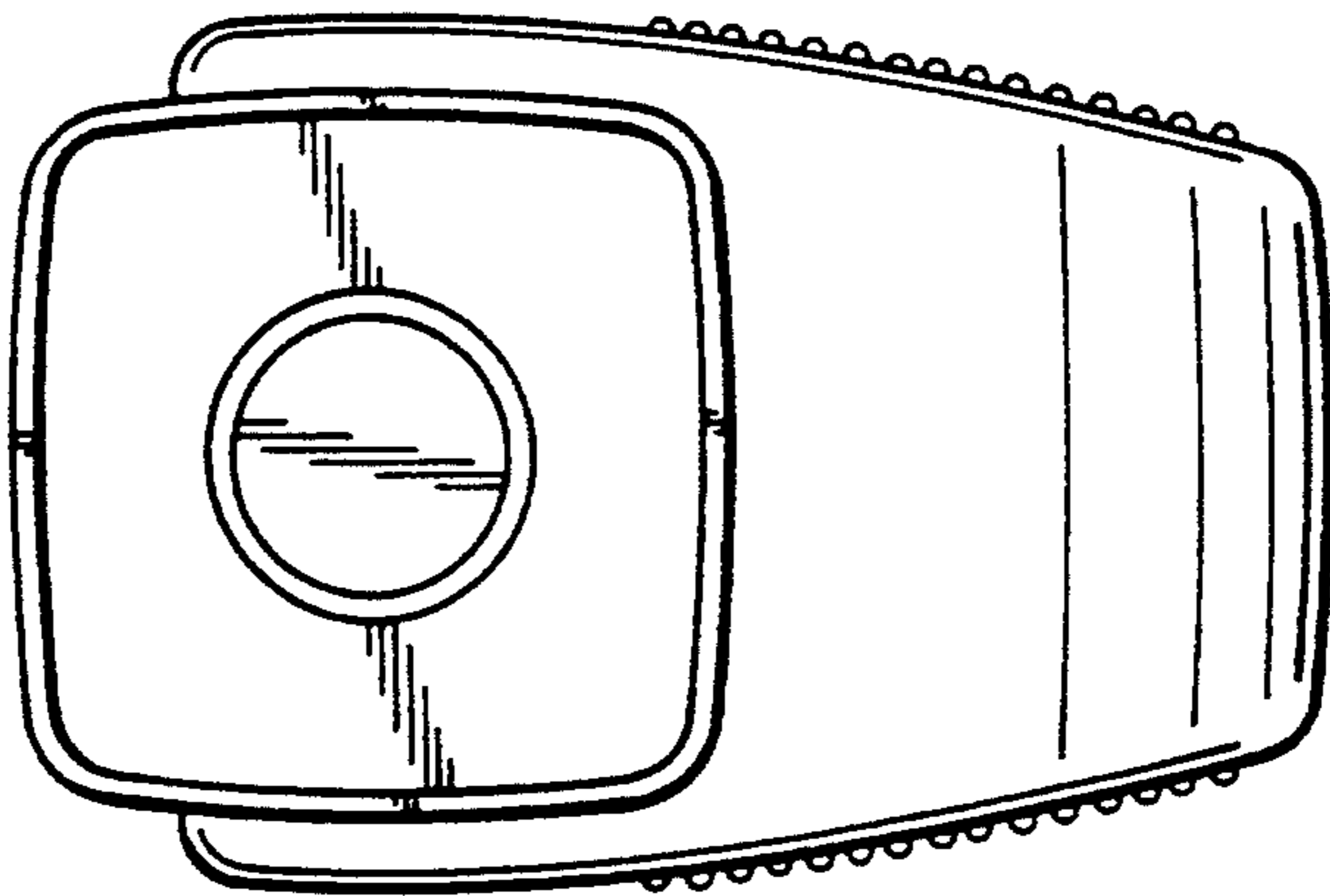
***Fig. 4***



***Fig. 5***



***Fig. 6***



***Fig. 7***

