



US00D352103S

United States Patent [19]

[11] Patent Number: **Des. 352,103**

Waldren, Jr.

[45] Date of Patent: **** Nov. 1, 1994**

[54] TOILET SEAT

2,100,826	11/1937	Wexelberg	4/234
2,132,550	10/1938	Wexelberg	4/234
3,921,235	11/1975	O'Neil	4/237 X

[76] Inventor: **Gary L. Waldren, Jr.**, 7593 Paddon Rd., Vacaville, Calif. 95688

Primary Examiner—James R. Largen
Attorney, Agent, or Firm—Thomas R. Lampe

[**] Term: **14 Years**

[57] **CLAIM**

[21] Appl. No.: **8,826**

The ornamental design for a toilet seat, as shown and described.

[22] Filed: **May 27, 1993**

[52] U.S. Cl. **D23/311**

DESCRIPTION

[58] Field of Search 4/234, 235, 237, 239;
D23/295-313

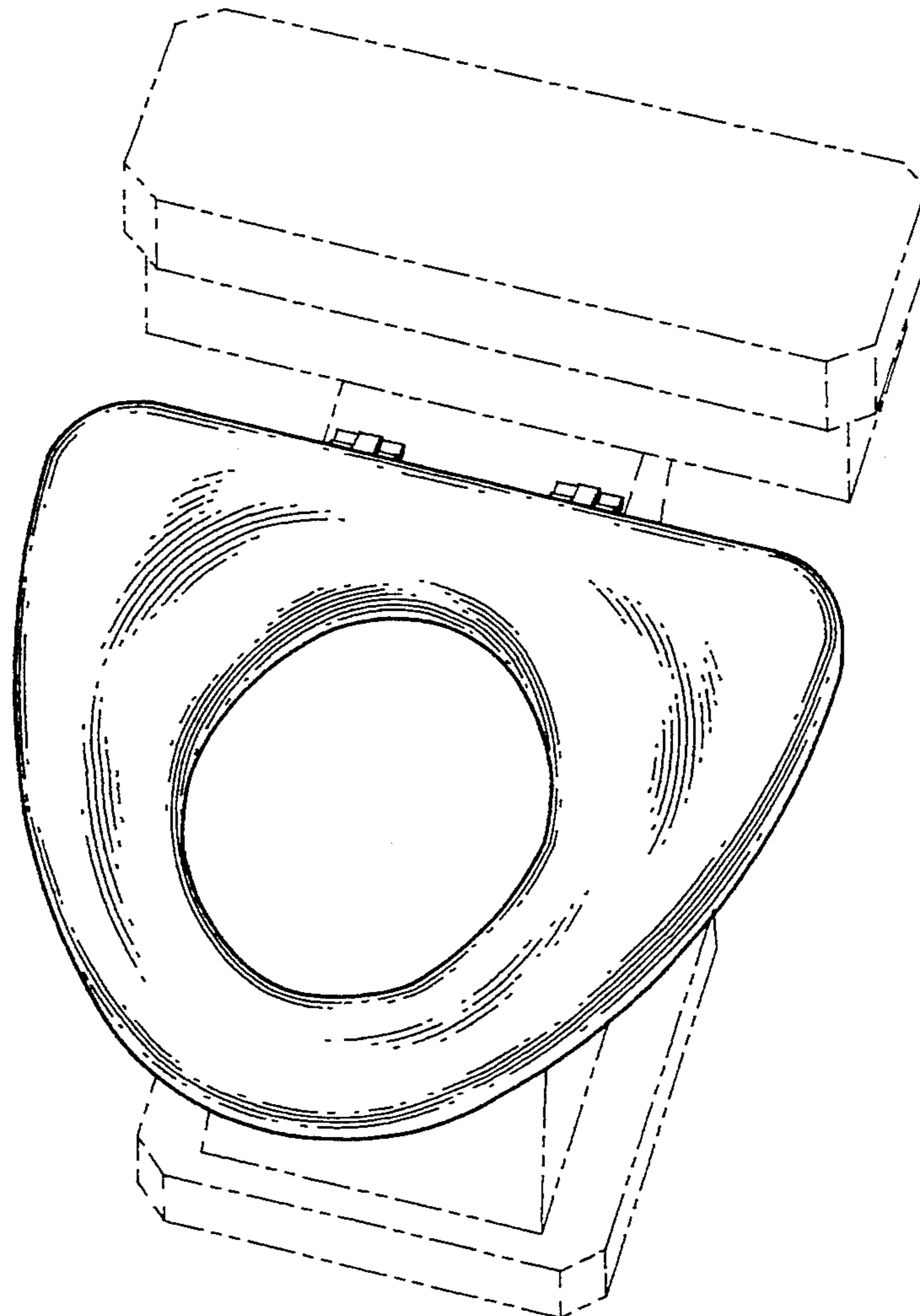
FIG. 1 is an top perspective view of a toilet seat showing my new design;
FIG. 2 is a top plan view thereof;
FIG. 3 is a front elevational view thereof;
FIG. 4 is a rear elevational view thereof;
FIG. 5 is a bottom plan view thereof;
FIG. 6 is a right side elevational view thereof; and,
FIG. 7 is a left side elevational view thereof.

[56] **References Cited**

U.S. PATENT DOCUMENTS

D. 128,188	7/1941	Derham et al.	D23/312 X
D. 212,327	10/1968	Brewer	D23/311
D. 256,387	8/1980	Land, Jr.	D23/311
D. 288,592	3/1987	Stairs, Jr.	D23/311
512,955	1/1894	Grace	4/234
661,441	11/1900	Bush	4/237
1,028,152	6/1912	Treude	4/237

The broken line representation of a toilet in FIGS. 1 and 6 is for purposes of illustration only and forms no part of the claimed design.



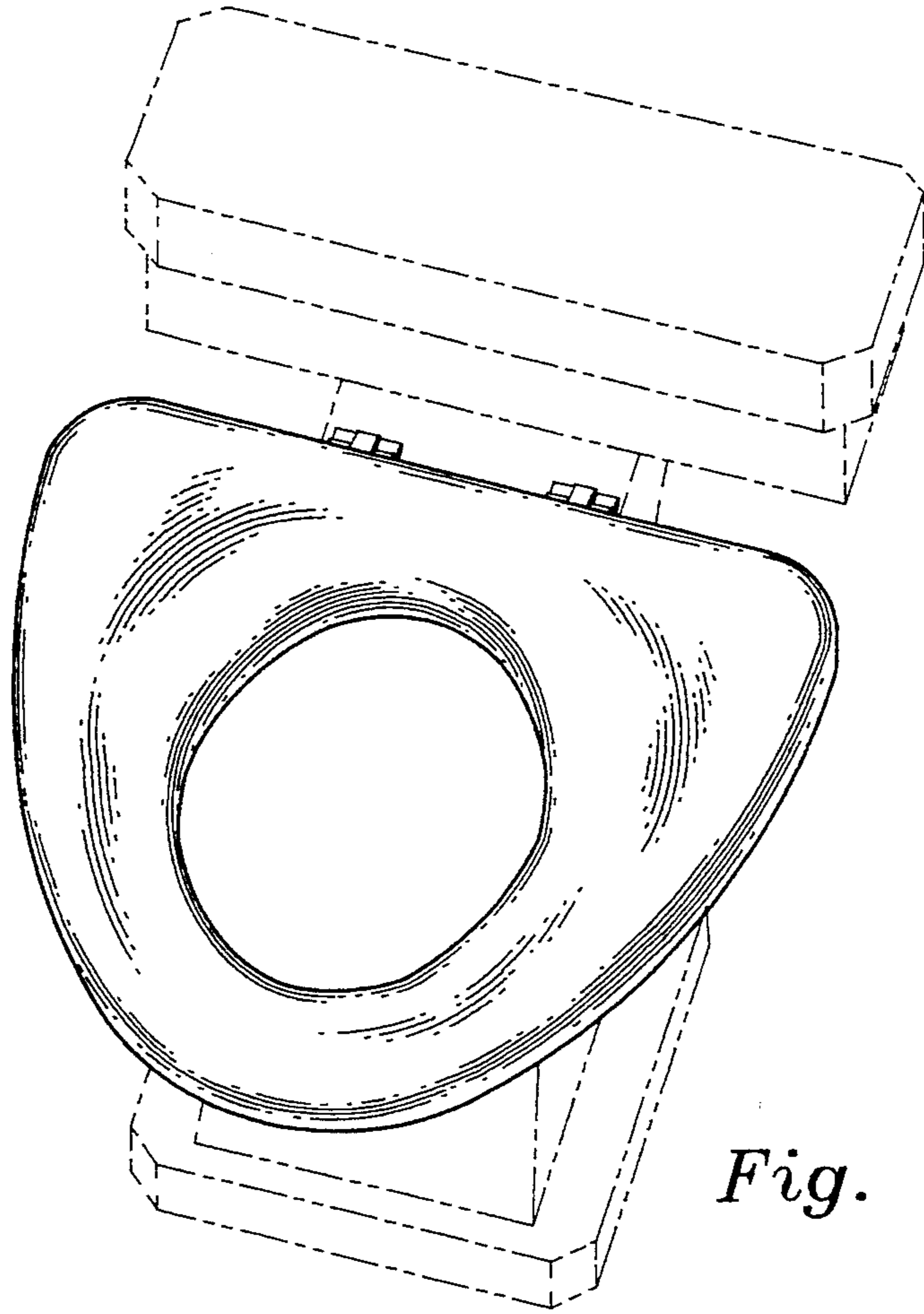


Fig. 1

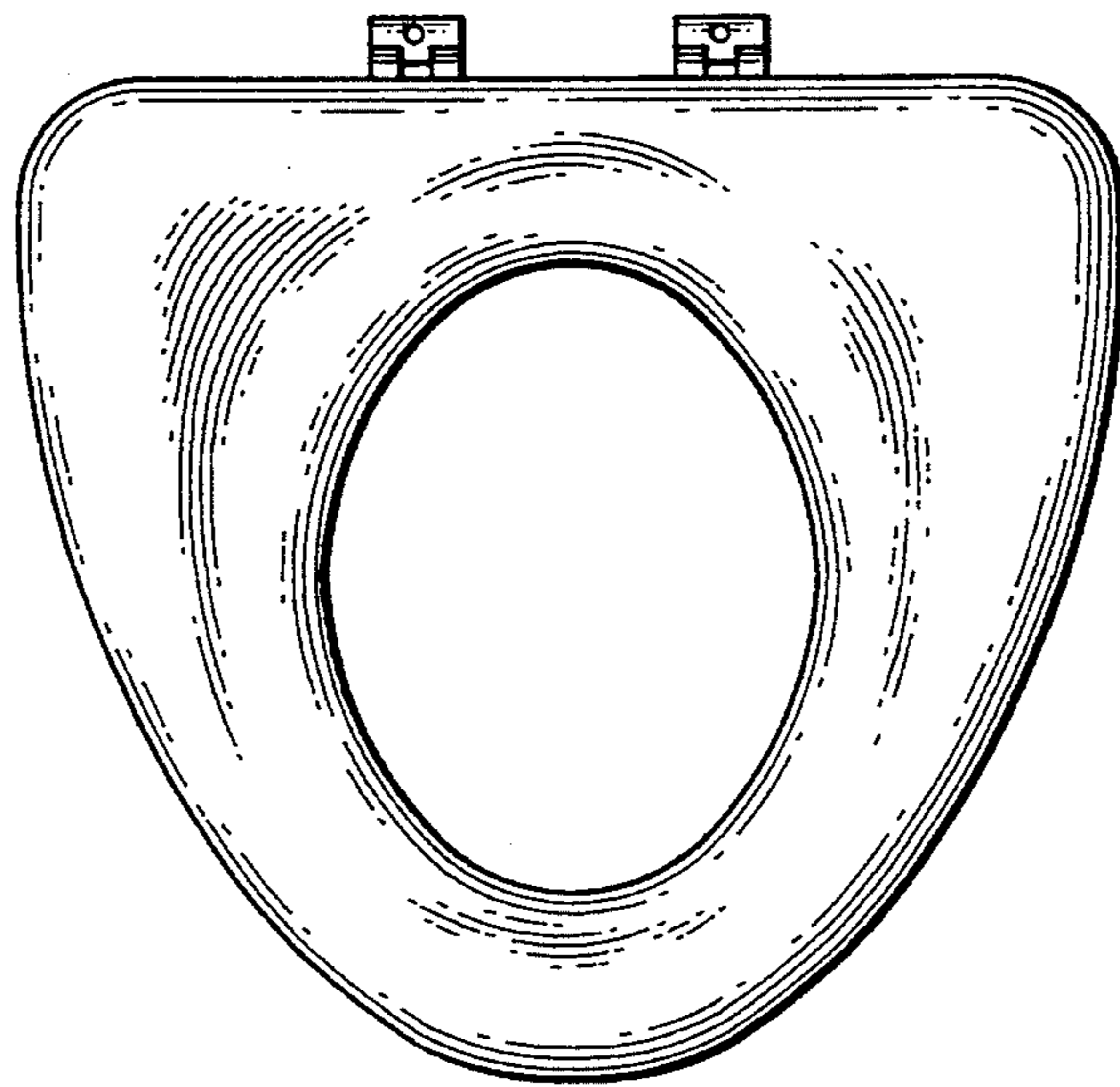


Fig. 2

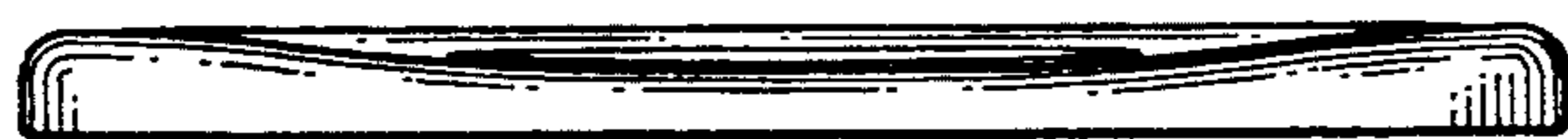


Fig. 3

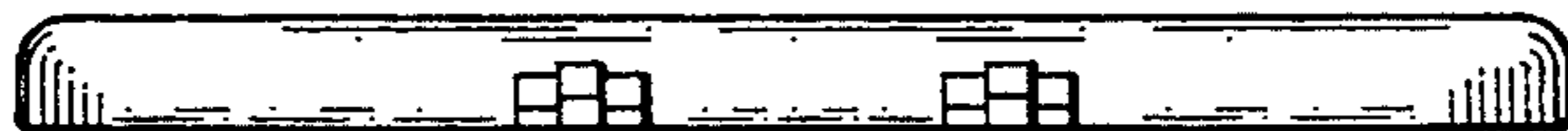


Fig. 4

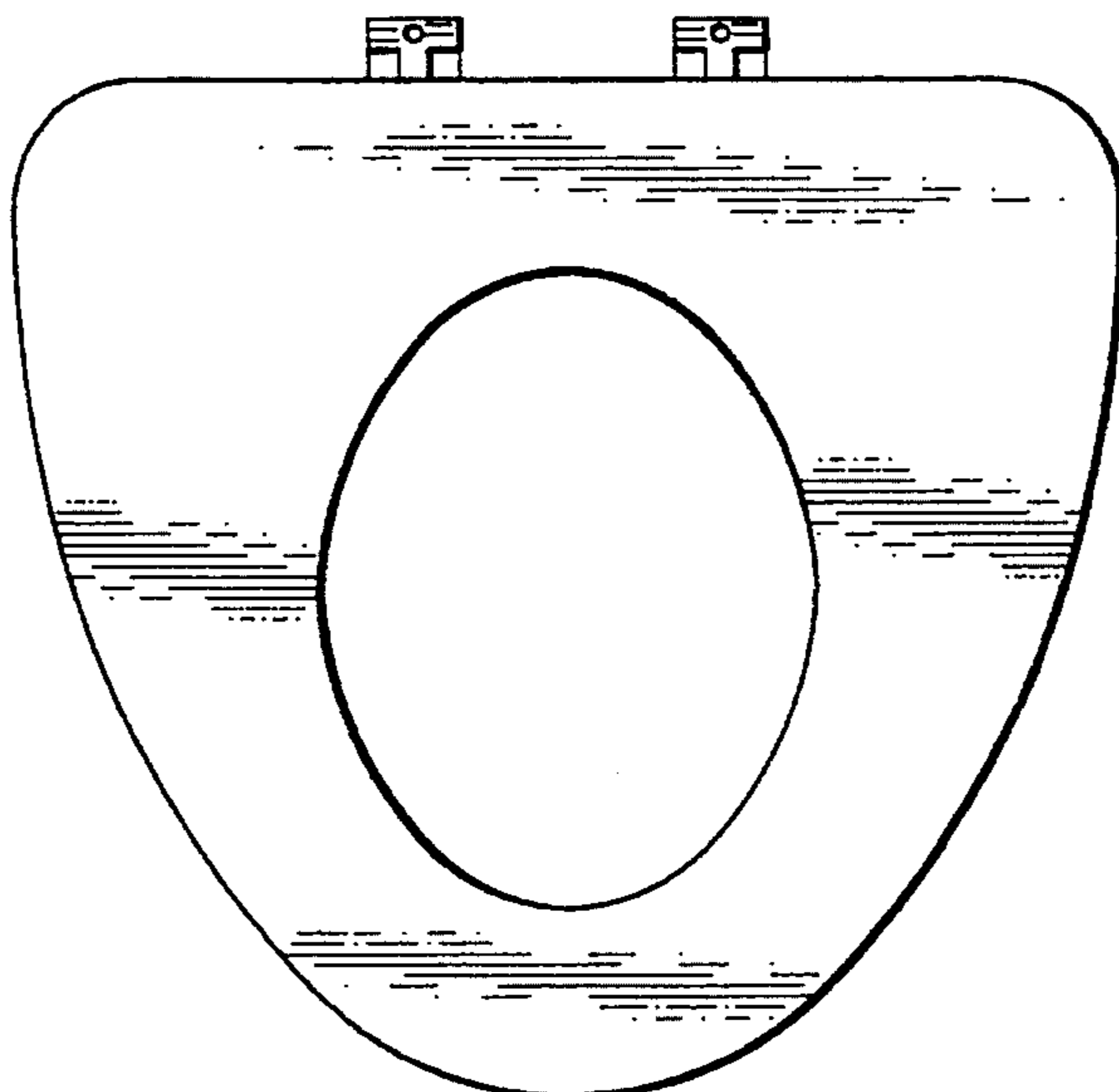


Fig. 5

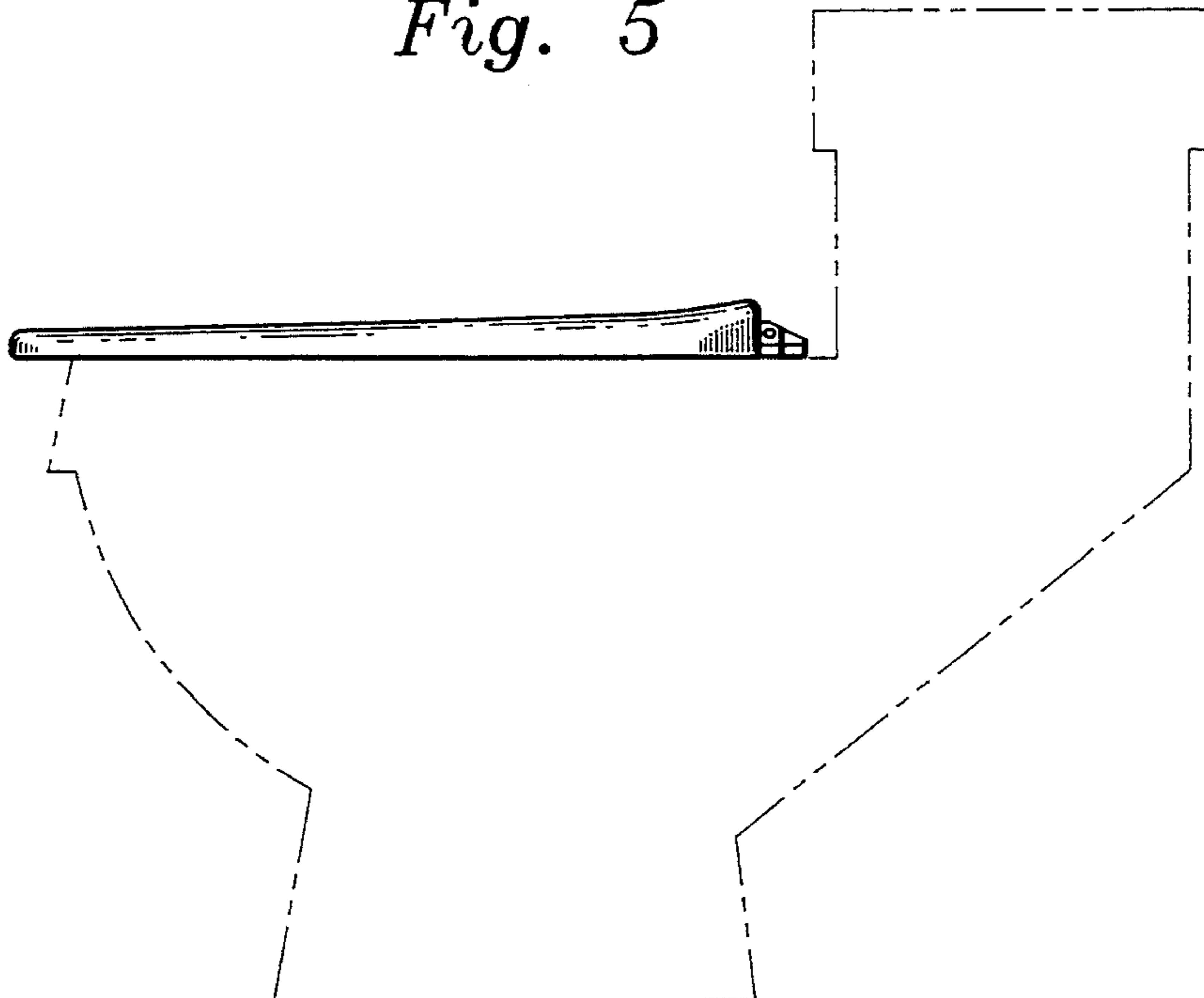


Fig. 6



Fig. 7