



US00D352101S

United States Patent [19]

[11] Patent Number: **Des. 352,101**

Veal

[45] Date of Patent: **** Nov. 1, 1994**

[54] HOUSING FOR A TOILET SEAT MOTOR

[76] Inventor: **Bennie N. Veal**, 27336 Aberdeen, Southfield, Mich. 48076

[**] Term: **14 Years**

[21] Appl. No.: **7,714**

[22] Filed: **Apr. 29, 1993**

[52] U.S. Cl. **D23/309**

[58] Field of Search 4/46.1, 46.2, 46.3, 4/46.4, 46.5; D23/309, 310, 311, 312, 313

[56] References Cited

U.S. PATENT DOCUMENTS

2,214,323	8/1939	Carter	4/246.2
4,338,690	7/1982	Hsieh et al.	4/246.1 X
4,766,619	8/1988	Takeda	4/246.1
4,853,983	8/1989	Grant	4/246.2
4,995,120	2/1991	Tager	4/246.1

Primary Examiner—A. Hugo Word

Assistant Examiner—Eric M. Watterson

Attorney, Agent, or Firm—Harness, Dickey & Pierce

[57] CLAIM

The ornamental design for a housing for a toilet seat motor, as shown and described.

DESCRIPTION

FIG. 1 is a perspective view of a housing for a toilet seat motor showing my new design, the broken line showing is for illustrative purposes only and forms no part of the claimed design;

FIG. 2 is a detailed perspective view of the housing for a toilet seat motor;

FIG. 3 is a front elevational view of the housing for a toilet seat motor;

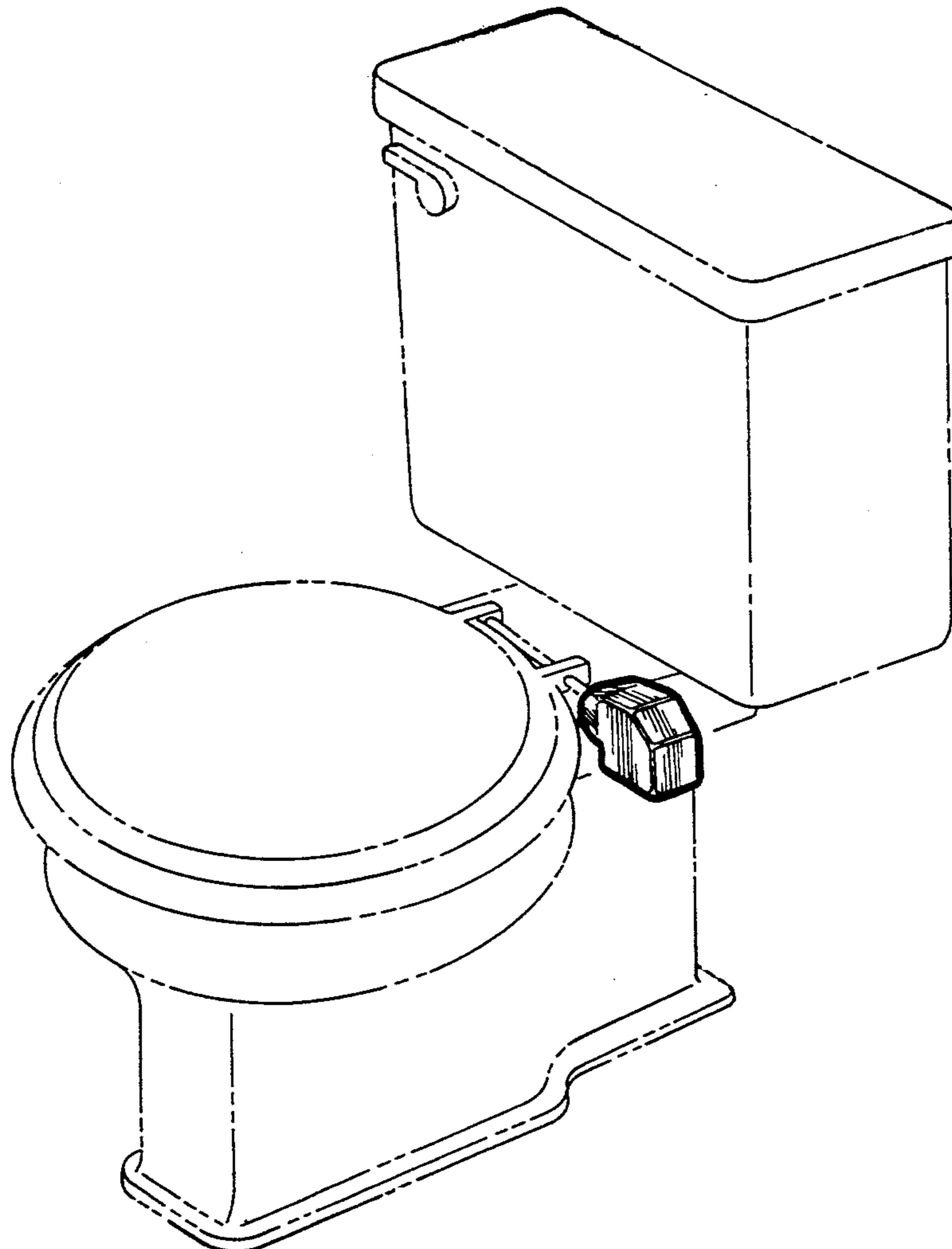
FIG. 4 is a rear elevational view of the housing for a toilet seat motor;

FIG. 5 is a side elevational view of the housing for a toilet seat motor;

FIG. 6 is a side elevational view of the housing for a toilet seat motor;

FIG. 7 is a top plan view of the housing for a toilet seat motor; and

FIG. 8 is a bottom plan view of the housing for a toilet seat motor.



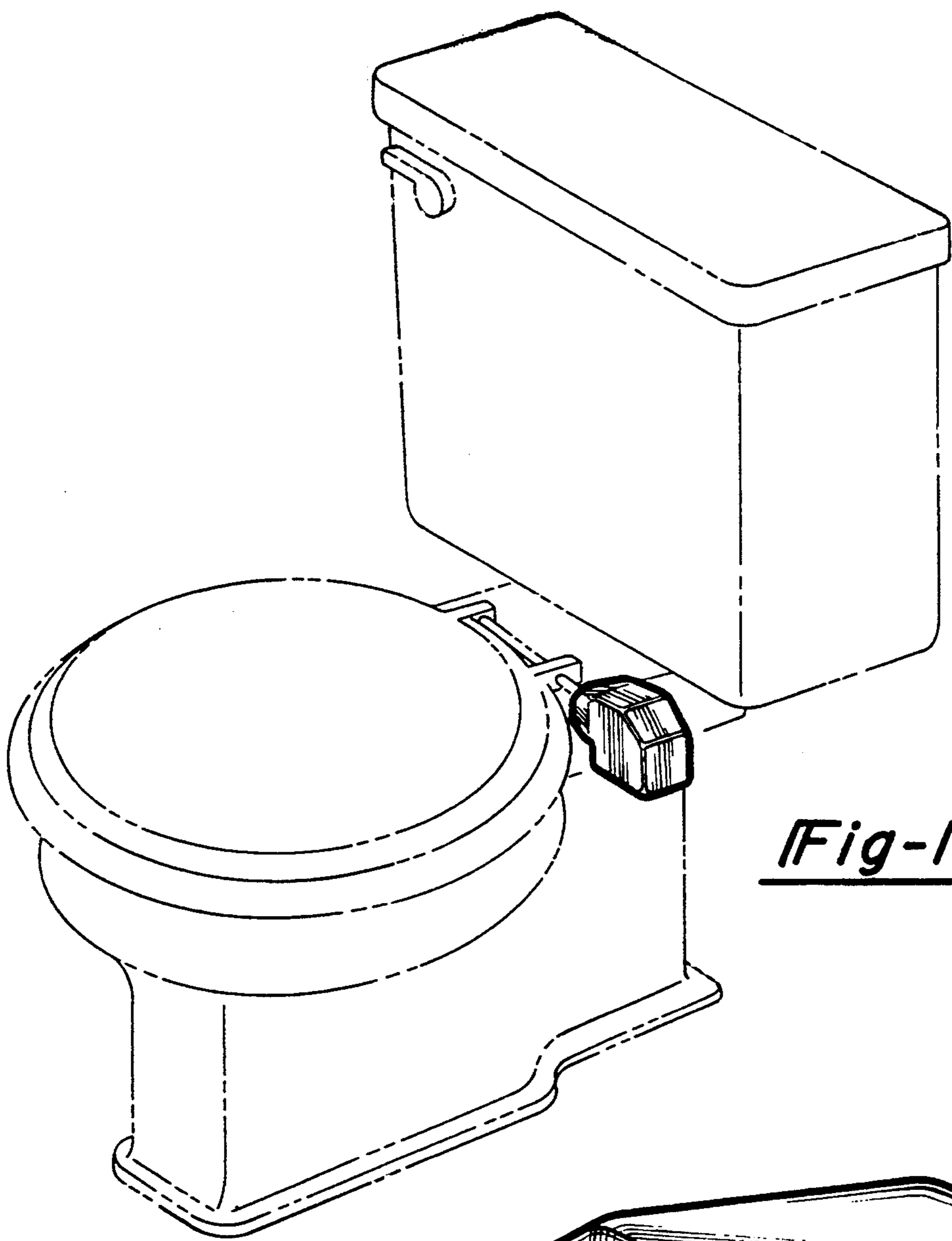


Fig-1

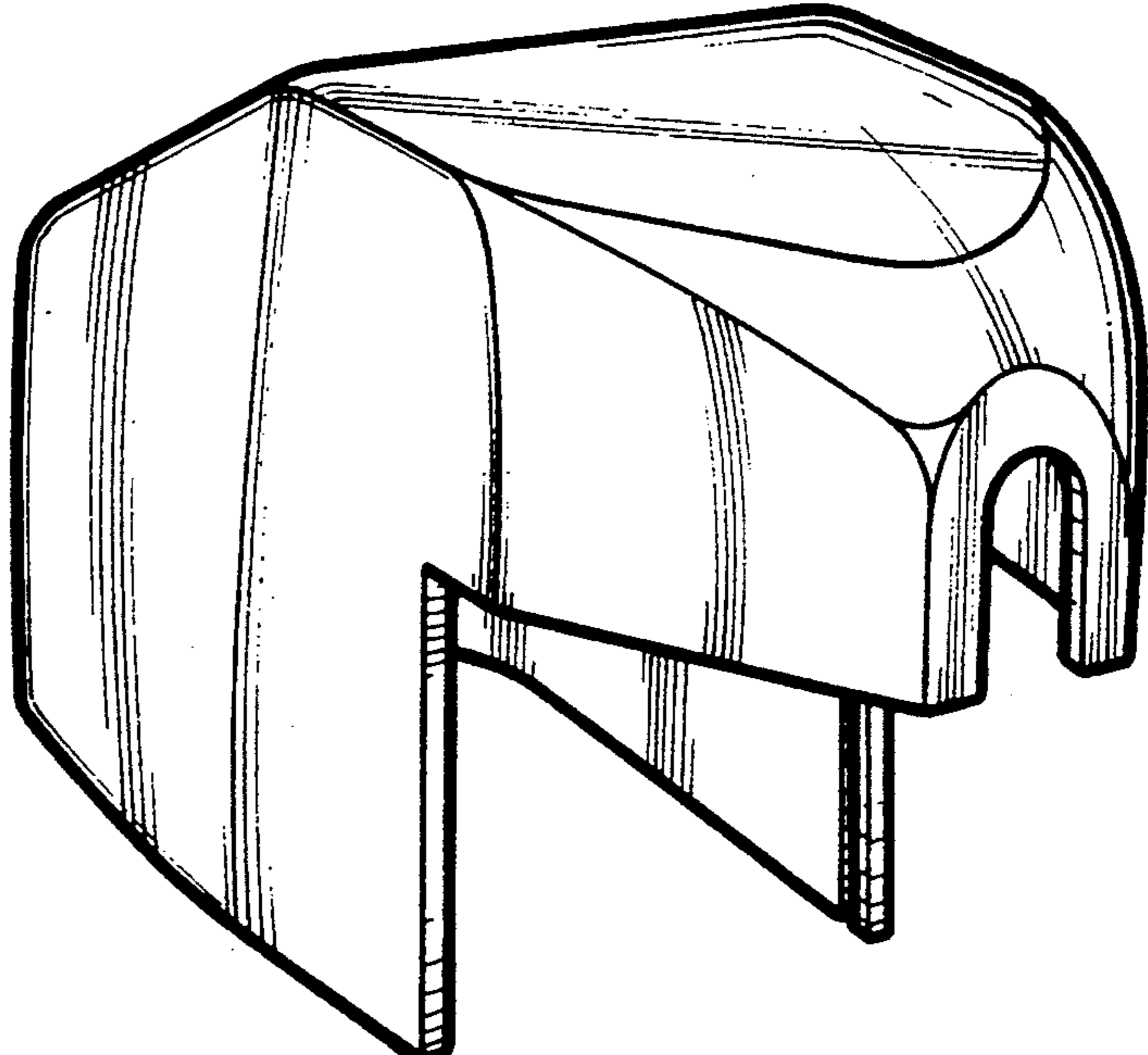


Fig-2

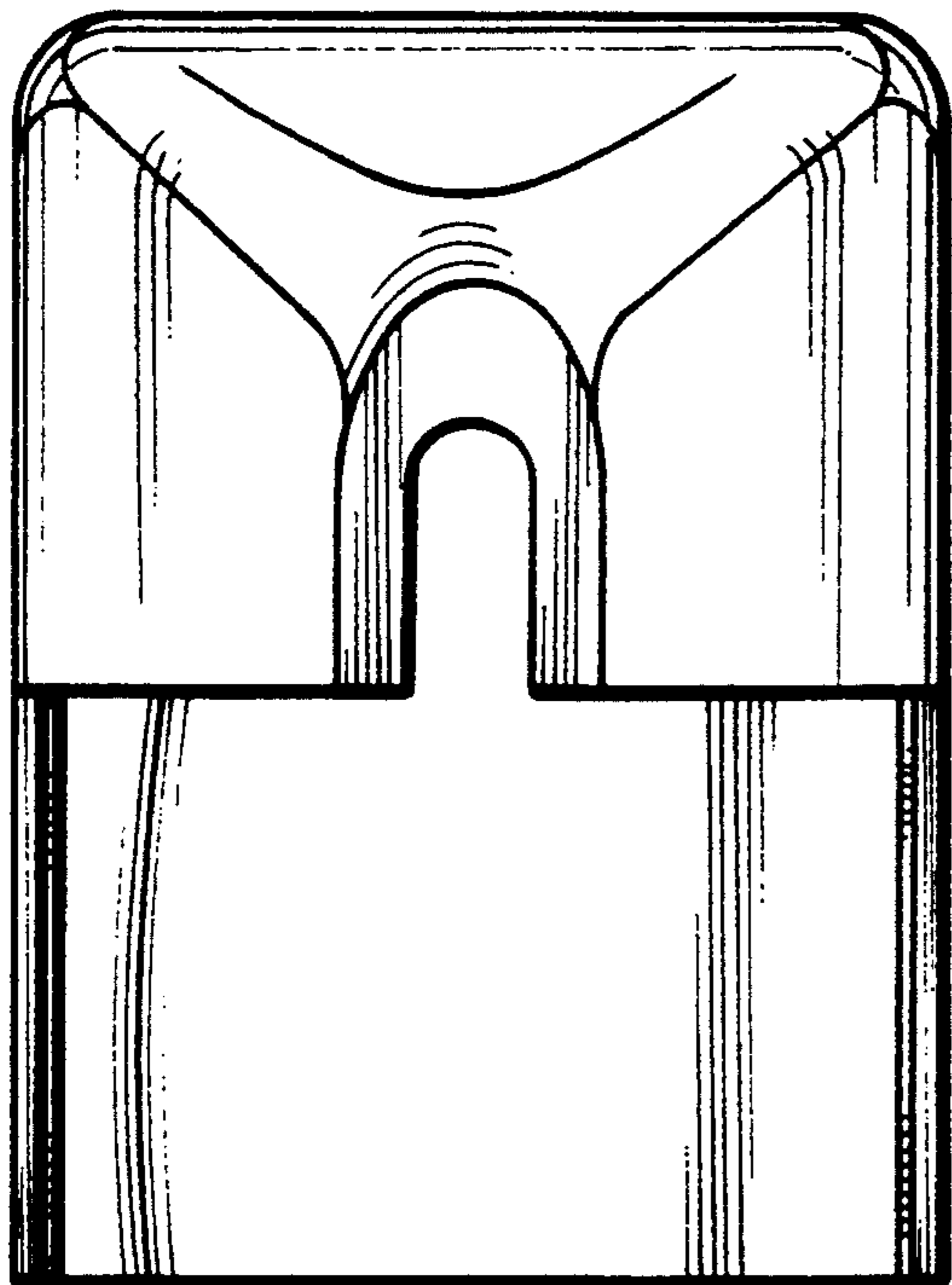


Fig-3

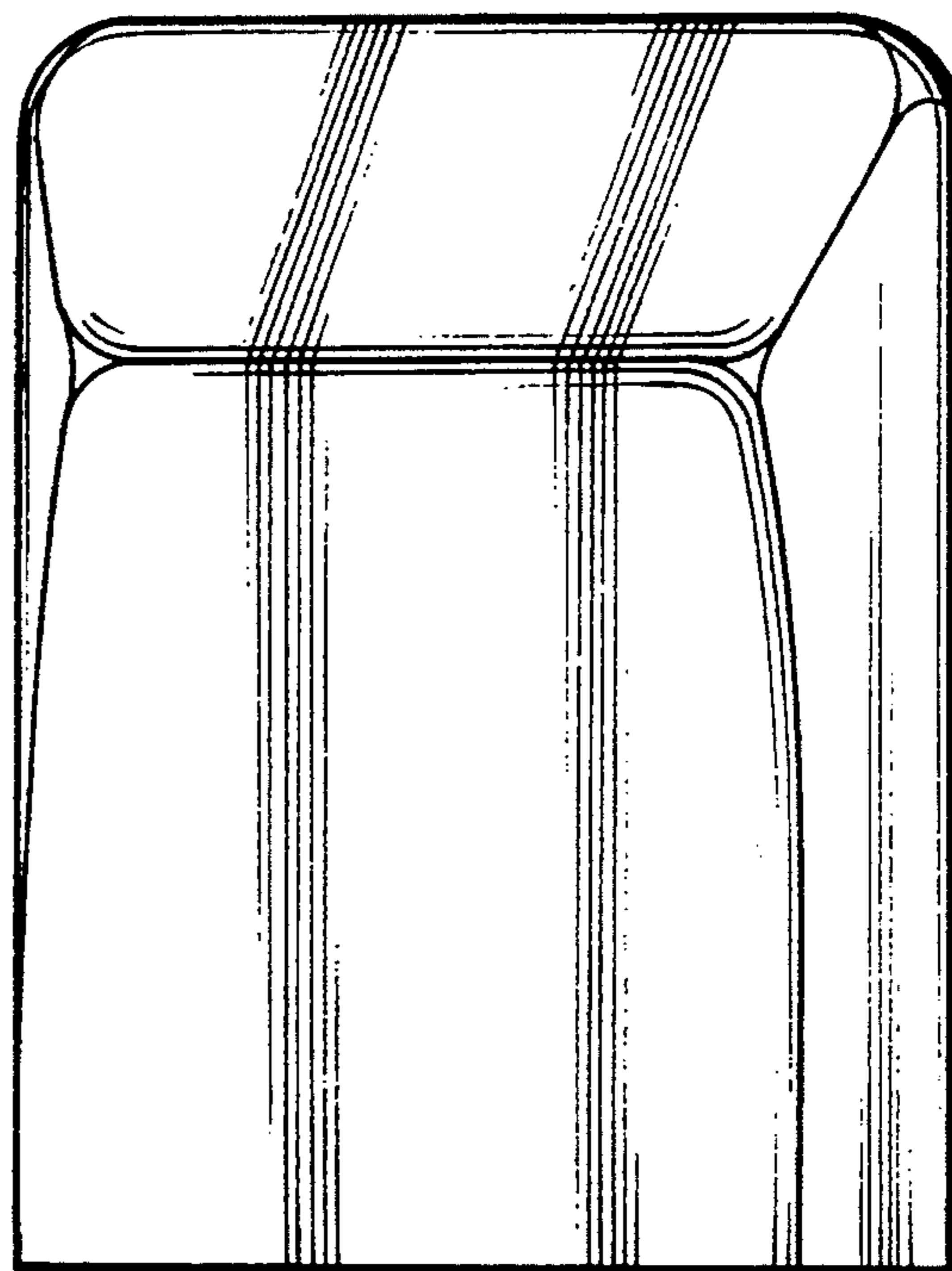


Fig-4

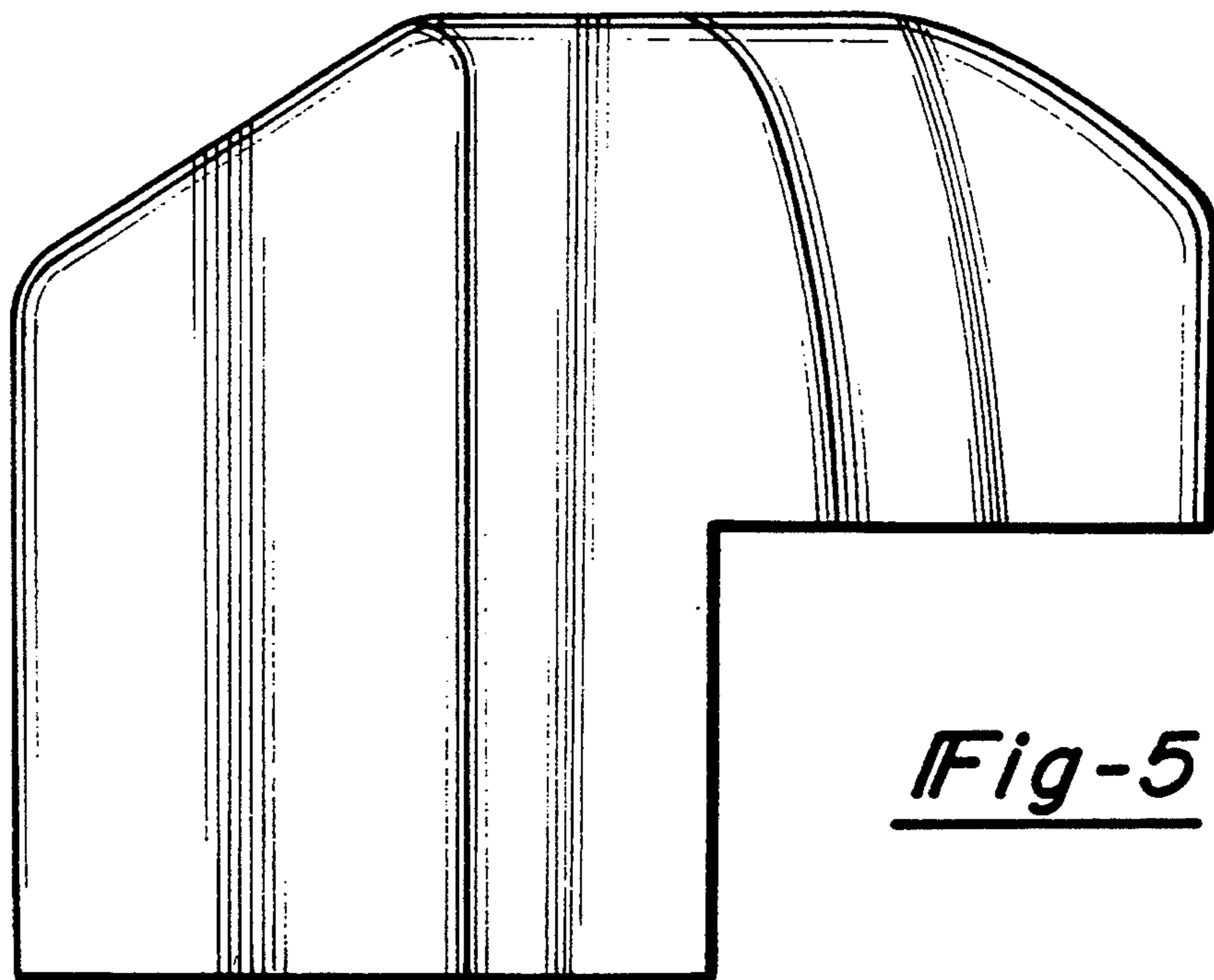


Fig-5

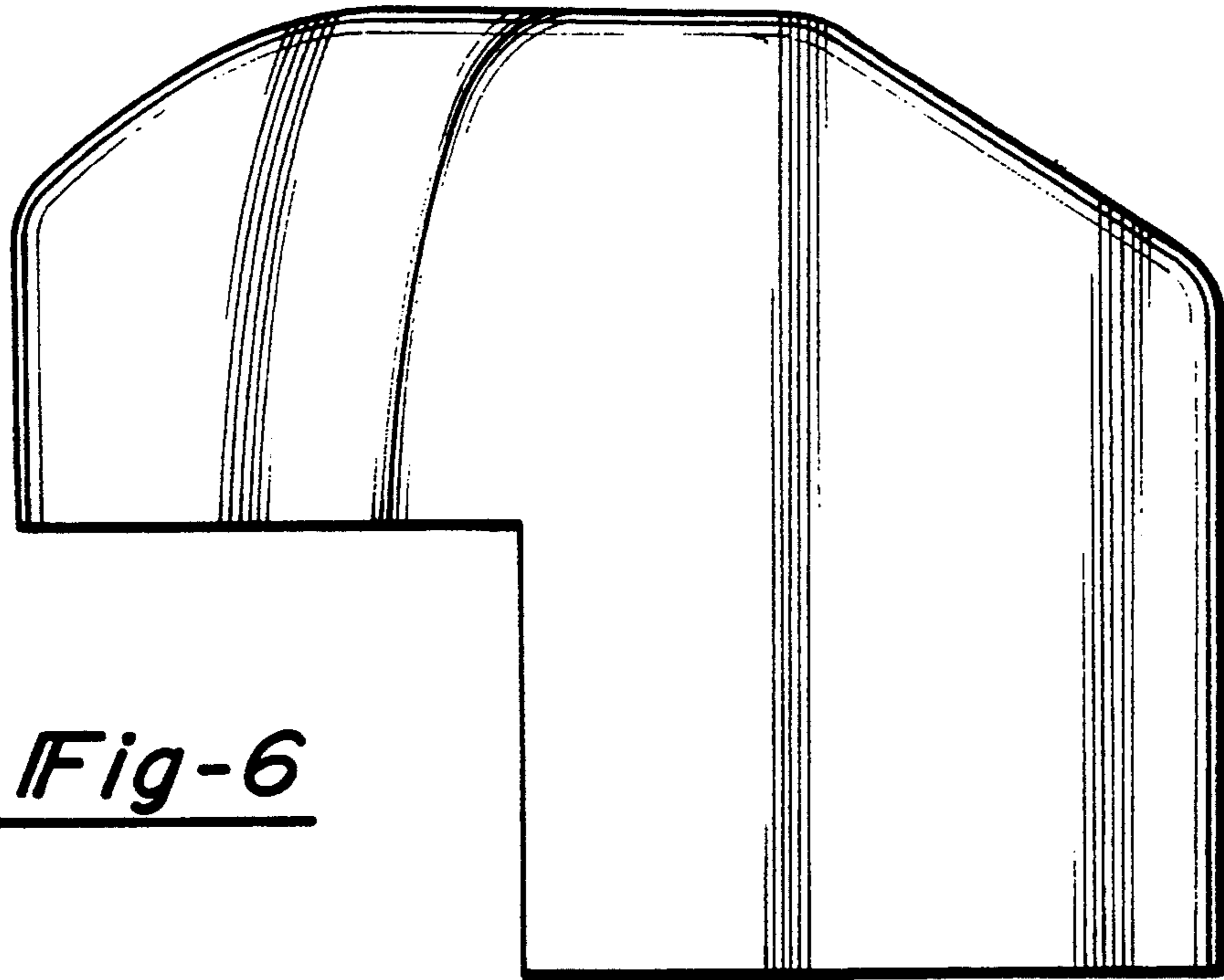


Fig-6

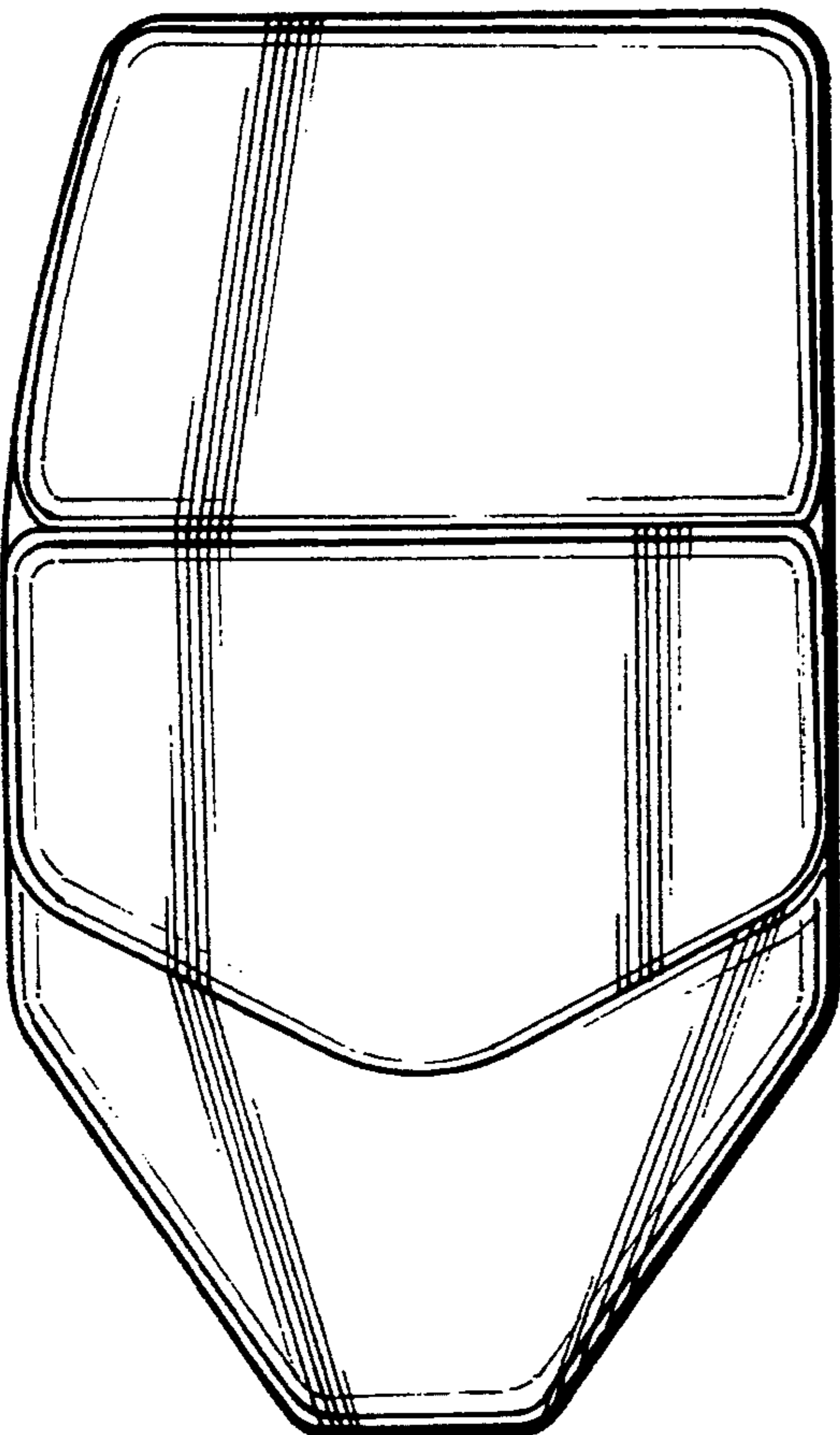


Fig-7

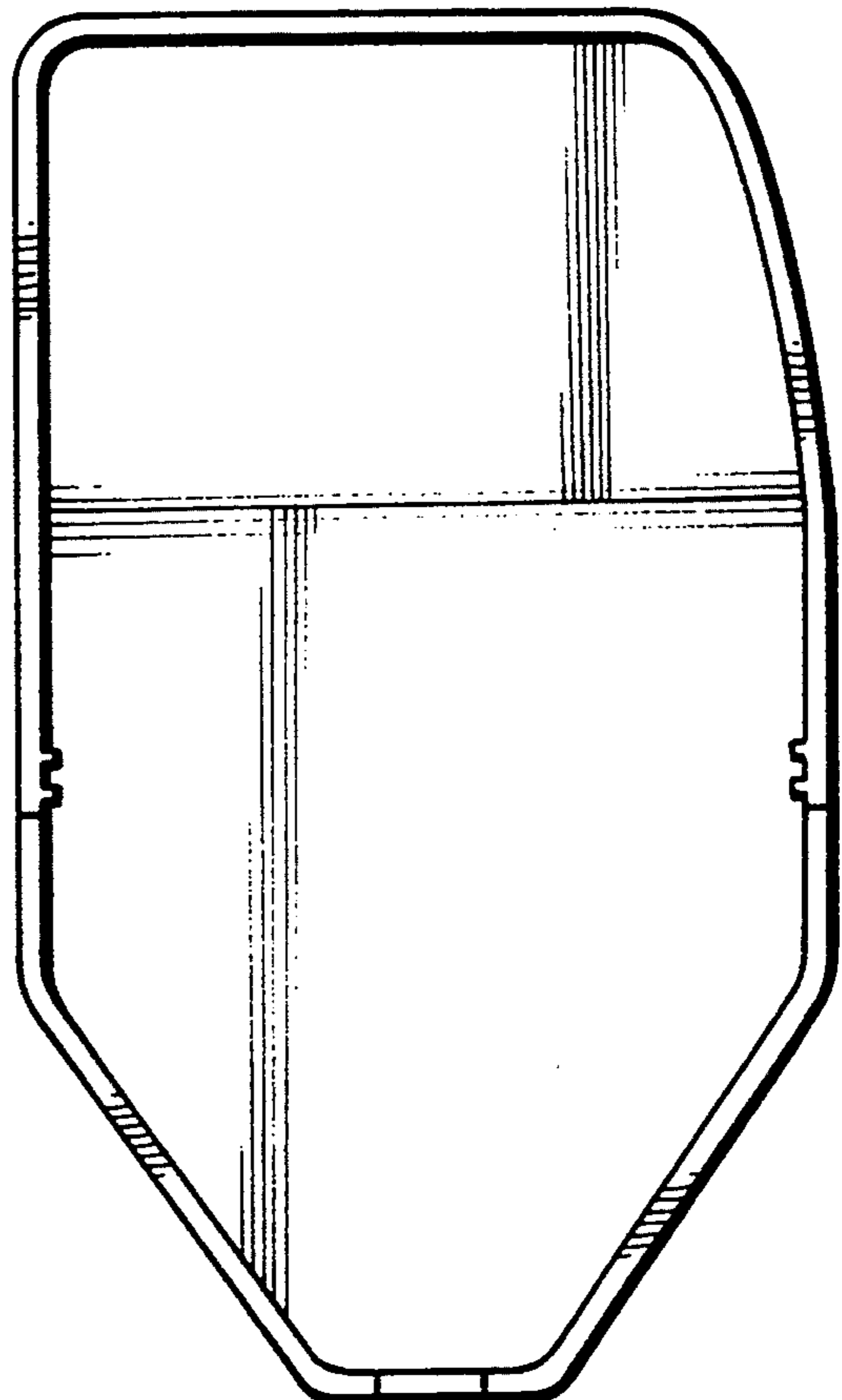


Fig-8