



US00D352100S

# United States Patent [19]

[11] Patent Number: **Des. 352,100**

Veal

[45] Date of Patent: **\*\* Nov. 1, 1994**

[54] **CONTROL BOX FOR A TOILET**

[76] Inventor: **Bennie N. Veal**, 27336 Aberdeen, Southfield, Mich. 48076

[\*\*] Term: **14 Years**

[21] Appl. No.: **7,711**

[22] Filed: **Apr. 29, 1993**

[52] U.S. Cl. .... **D23/309**

[58] Field of Search ..... 4/46.1, 46.2, 46.3, 4/46.4, 46.5; D23/309, 310, 311, 312, 313

[56] **References Cited**

**U.S. PATENT DOCUMENTS**

2,214,323	8/1939	Carter	4/246.2
4,338,690	7/1982	Hsieh et al.	4/246.1 X
4,766,619	8/1988	Tokeda	4/246.1
4,853,983	8/1989	Grant	4/246.2
4,995,120	2/1991	Tager	4/246.1

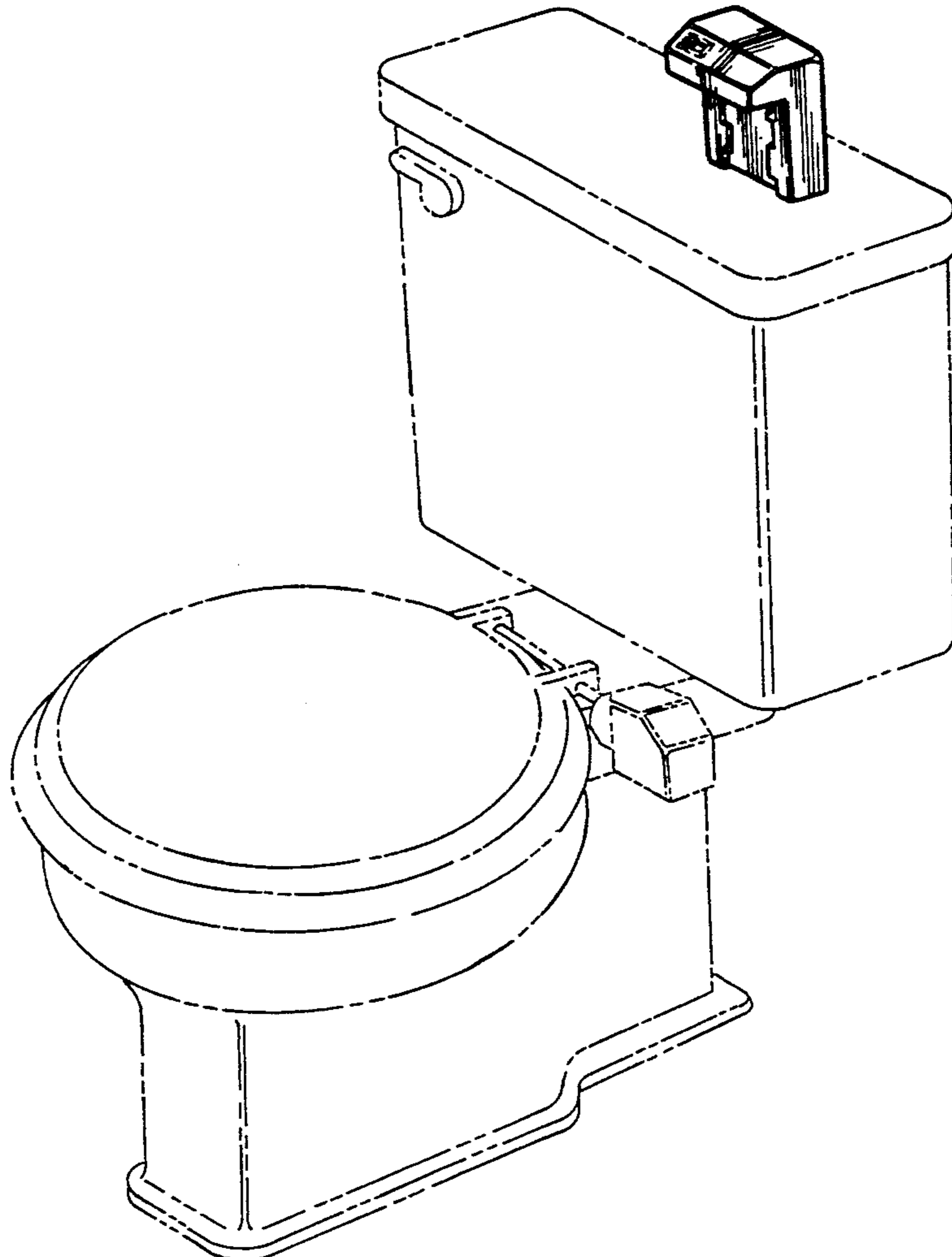
Primary Examiner—A. Hugo Word  
Assistant Examiner—Eric M. Watterson  
Attorney, Agent, or Firm—Harness, Dickey & Pierce

[57] **CLAIM**

The ornamental design for a control box for a toilet, as shown and described.

**DESCRIPTION**

FIG. 1 is a perspective view of a control box for a toilet showing my new design, the broken line showing is for illustrative purposes only and forms no part of the claimed design;  
FIG. 2 is a detailed perspective view of the control box for a toilet;  
FIG. 3 is a front elevational view of the control box for a toilet;  
FIG. 4 is a rear elevational view of the control box for a toilet;  
FIG. 5 is a side elevational view of the control box for a toilet;  
FIG. 6 is a side elevational view of the control box for a toilet;  
FIG. 7 is a top plan view of the control box for a toilet; and  
FIG. 8 is a bottom plan view of the control box for a toilet.



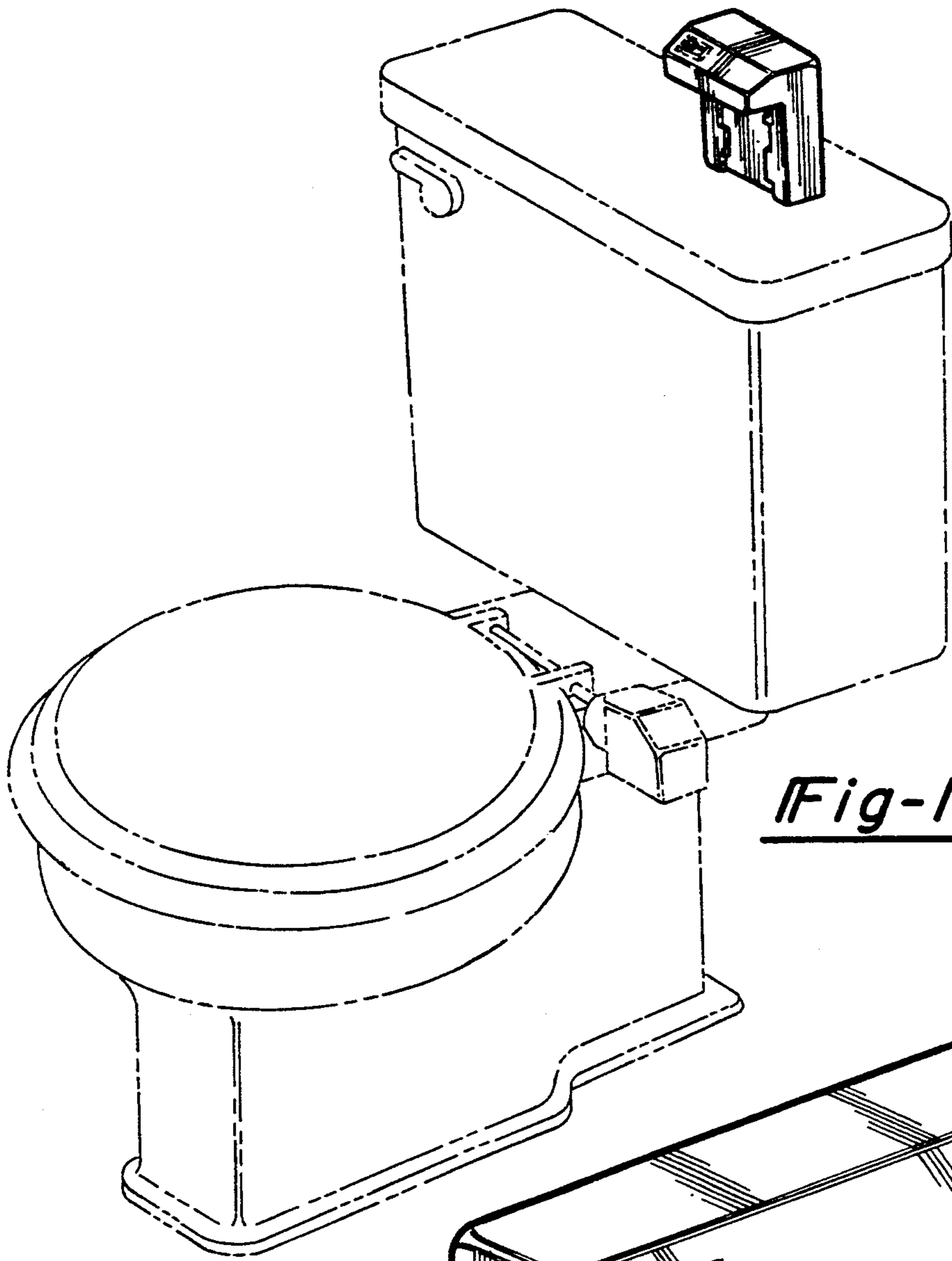
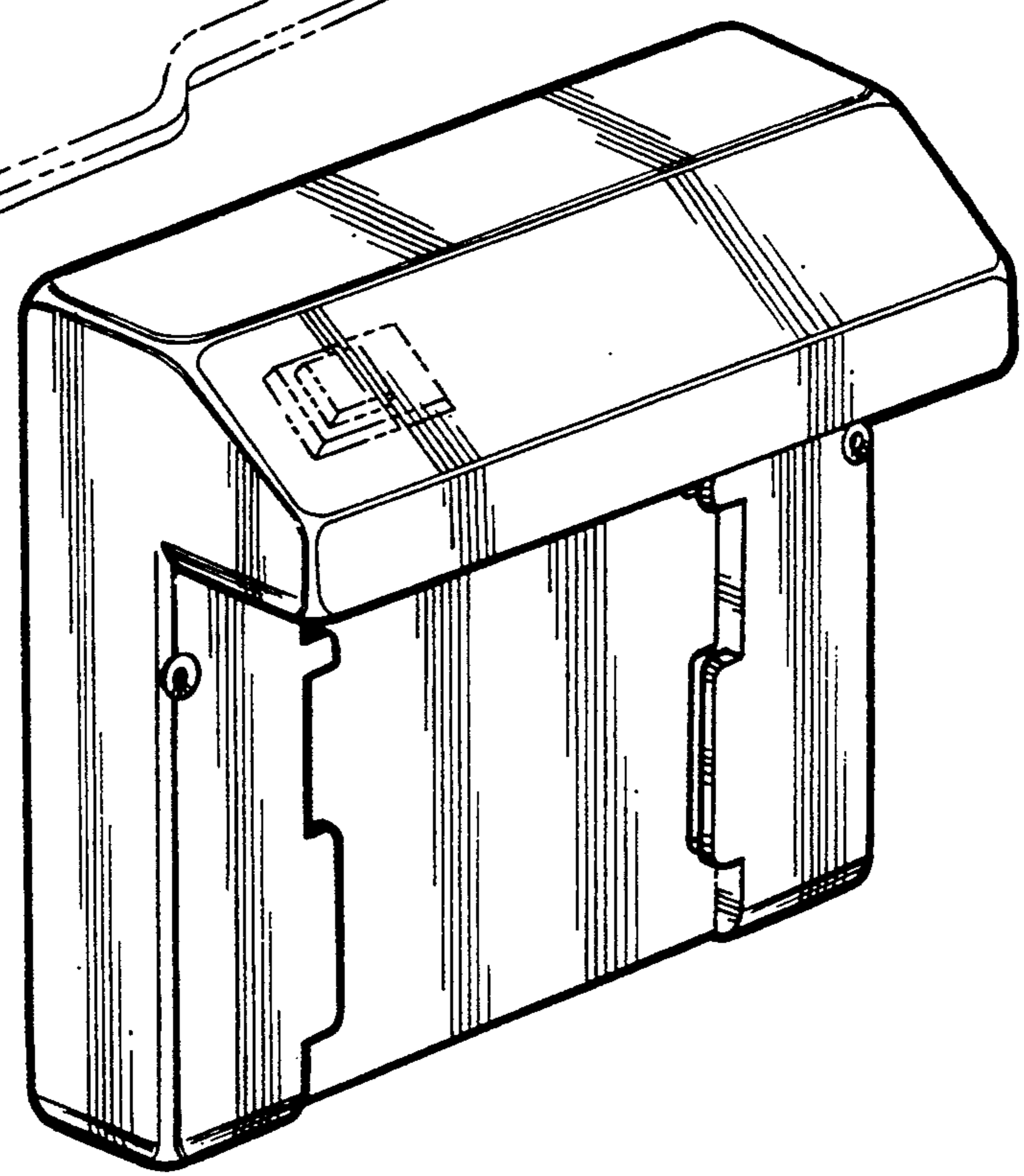


Fig-1

Fig-2



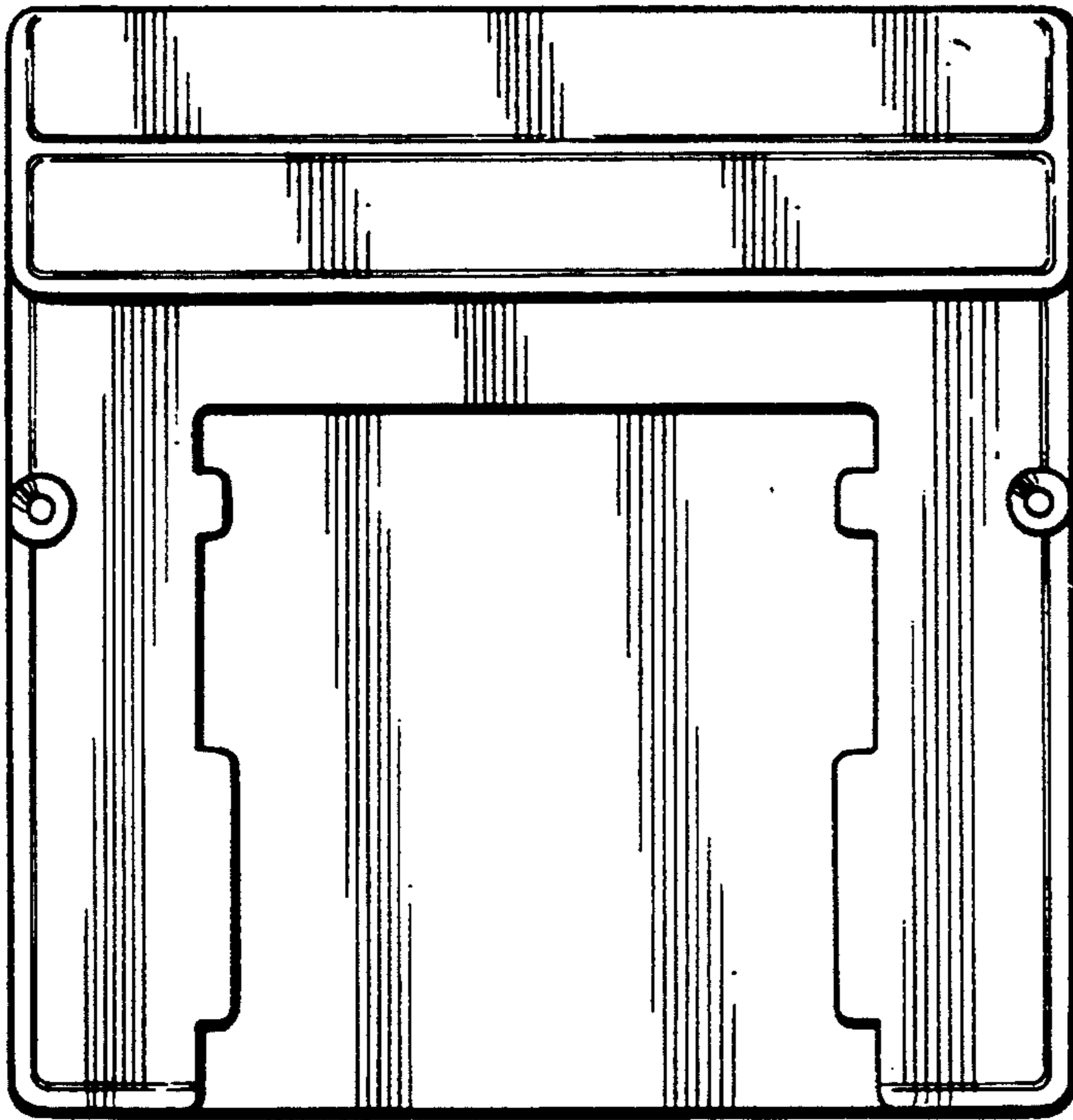


Fig-3

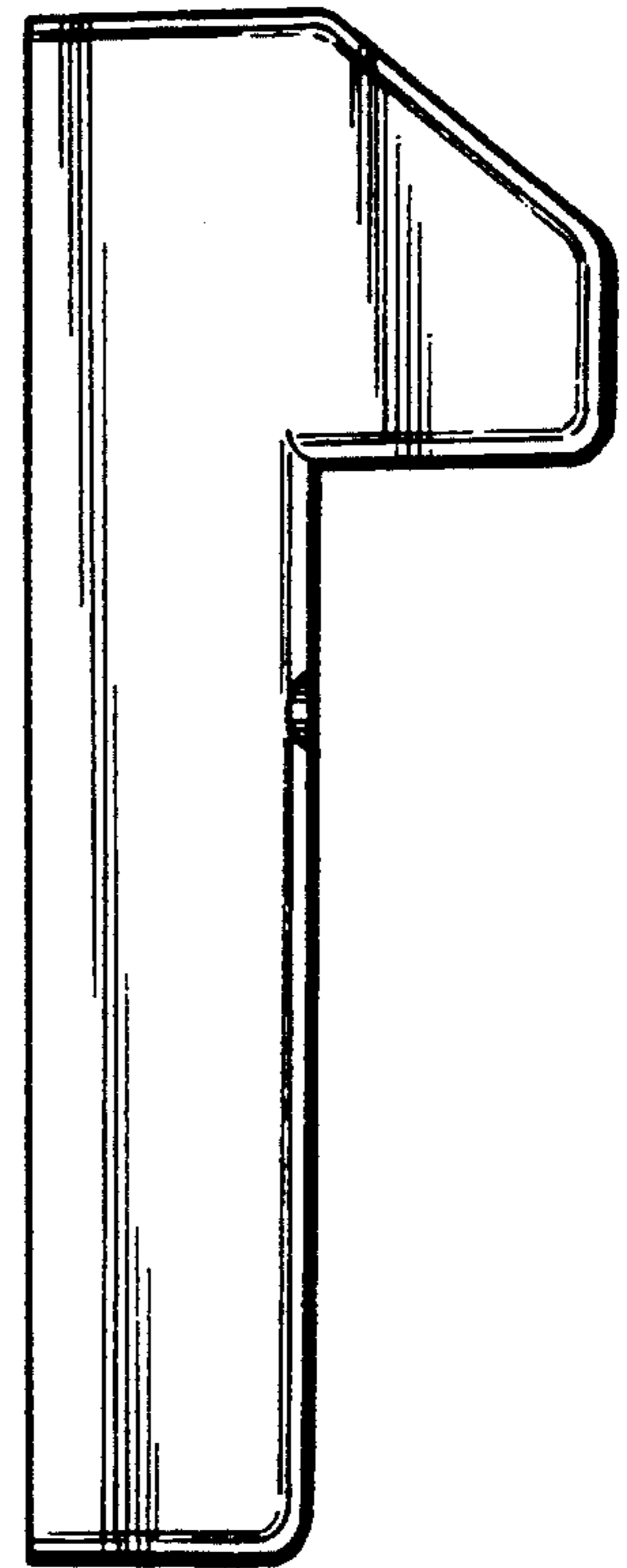


Fig-5

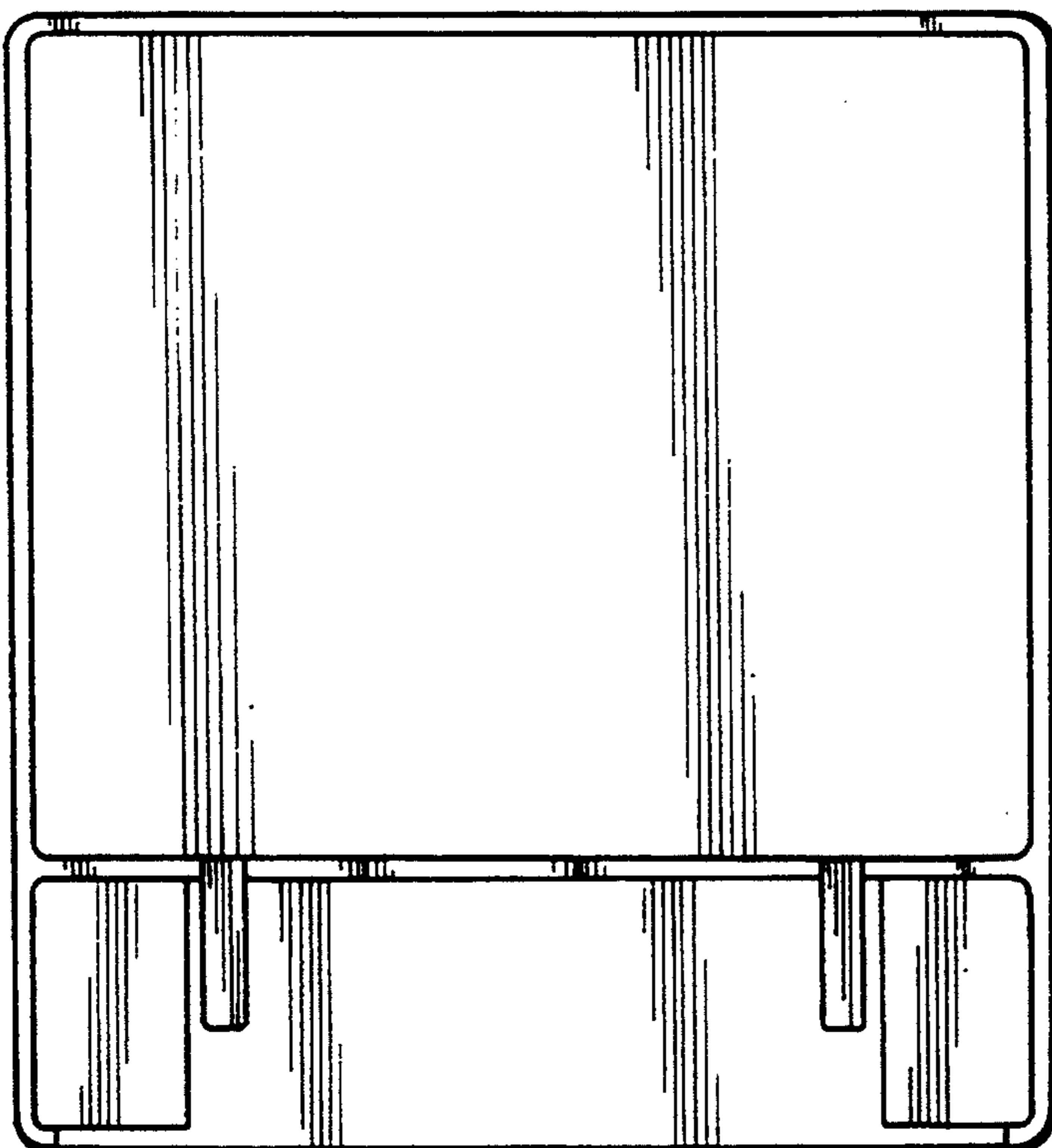


Fig-4

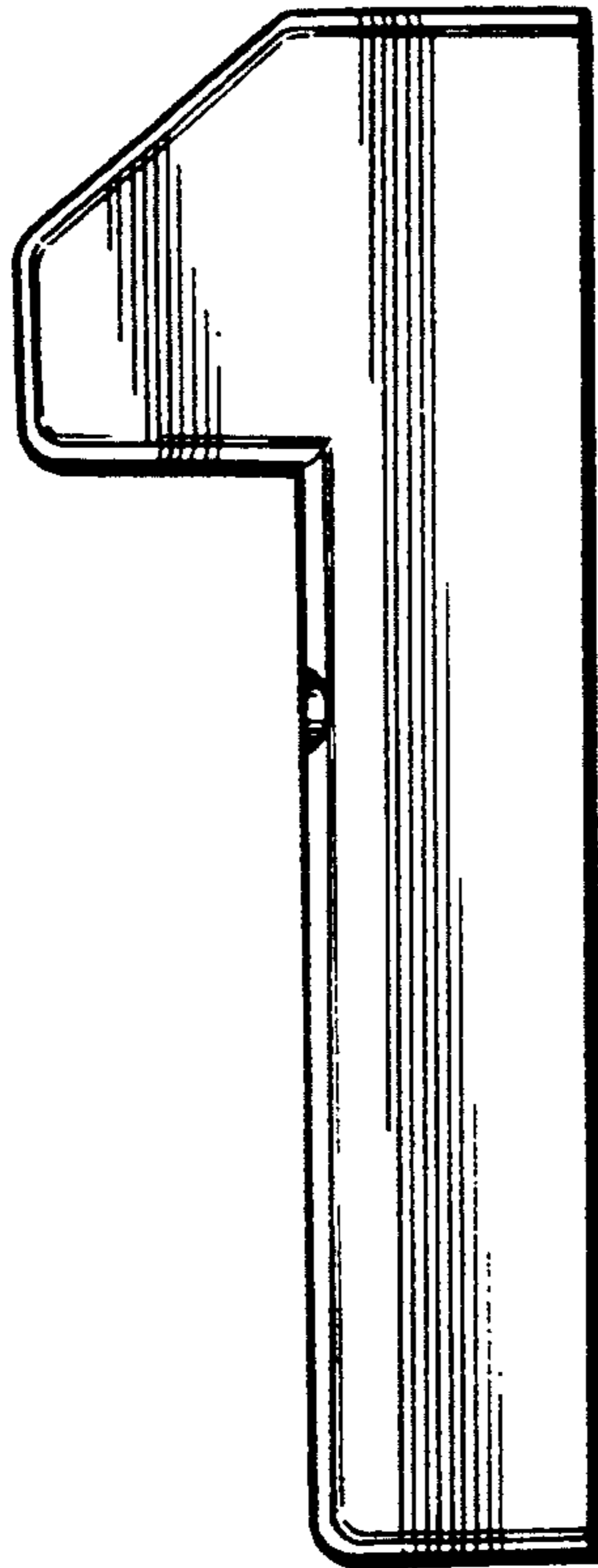


Fig-6

Fig-7

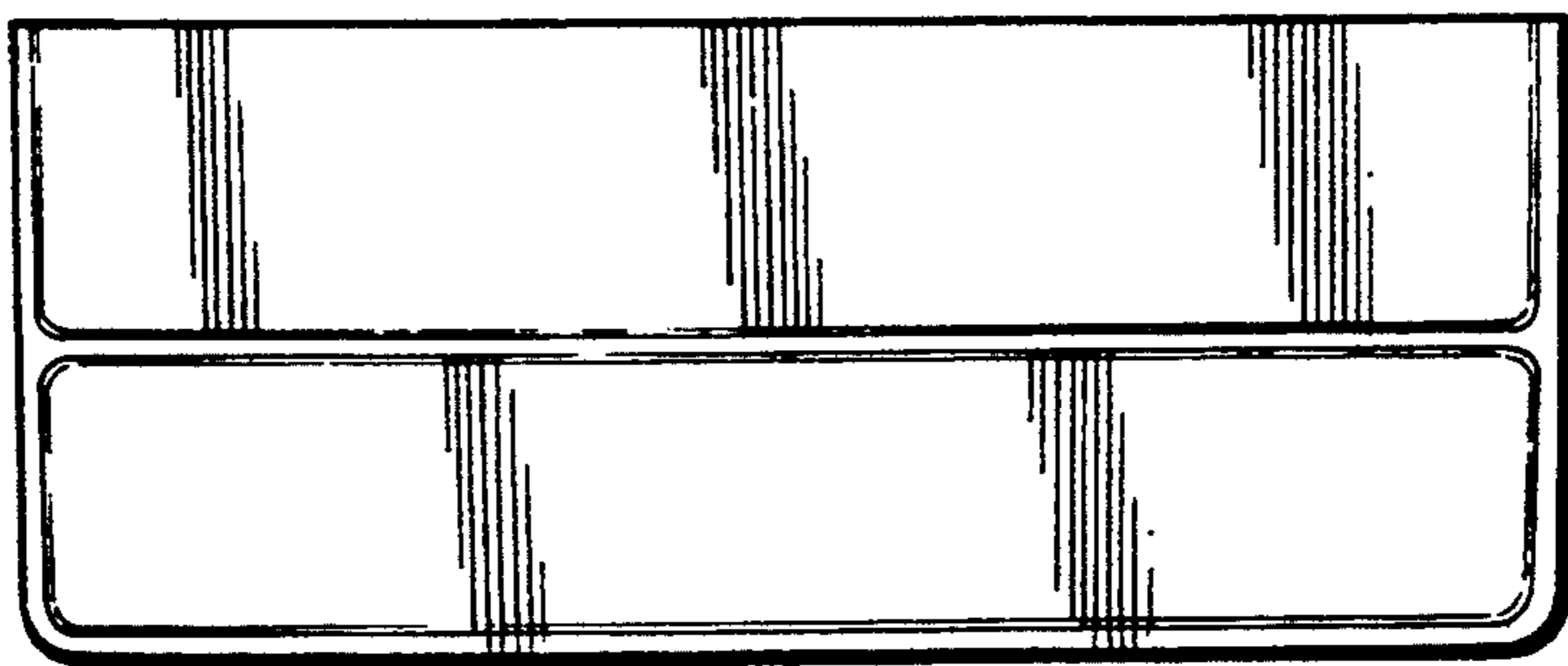


Fig-8

