



US00D352099S

United States Patent [19]

[11] Patent Number: **Des. 352,099**

Andersen

[45] Date of Patent: **** Nov. 1, 1994**

[54] **BATHTUB FOR INVALIDS**

[76] Inventor: **Ib V. Andersen**, 116 - 8434 - 120th St.,
Surrey, British Columbia, Canada,
V8R 5T9

3,719,960 3/1973 Russell 4/556
3,863,275 2/1975 Brengord et al. 4/590 X
4,796,312 1/1989 Corlew 4/556 X
4,953,241 9/1990 Williams 4/556

[**] Term: **14 Years**

Primary Examiner—James R. Largen
Attorney, Agent, or Firm—Norman M. Cameron

[21] Appl. No.: **4,215**

[57] **CLAIM**

[22] Filed: **Jan. 28, 1993**

The ornamental design for the bathtub for invalids, as shown.

[52] U.S. Cl. **D23/279**

[58] Field of Search 4/540, 555, 556, 589,
4/590; D23/270, 275, 277-283

DESCRIPTION

[56] **References Cited**

U.S. PATENT DOCUMENTS

D. 248,107	6/1978	Brengord et al.	D23/279
D. 297,161	8/1988	Weschta	D23/279
2,569,825	10/1951	Otis	4/556
2,977,604	4/1961	Miller	4/556
2,991,482	7/1961	Brass	4/556
3,066,316	12/1962	Russell	4/556
3,371,354	3/1968	Hayslett	4/556

FIG. 1 is an isometric view showing the top, front and right side of a bathtub for invalids embodying my new design;

FIG. 2 is a top plan view thereof;

FIG. 3 is a front elevational view thereof;

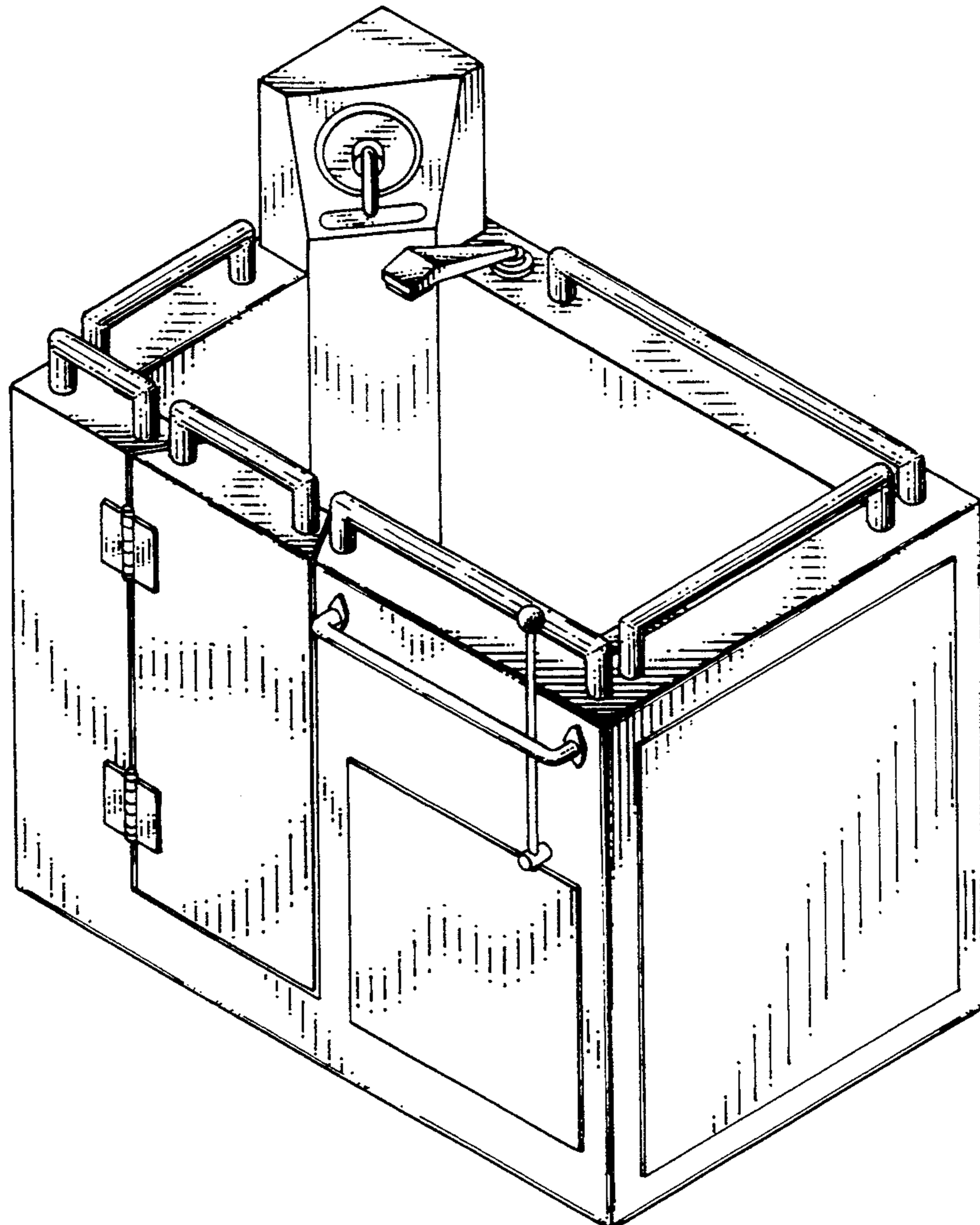
FIG. 4 is a right side elevational view thereof;

FIG. 5 is a left side elevational view thereof;

FIG. 6 is a bottom plan view thereof;

FIG. 7 is a rear elevational view thereof; and,

FIG. 8 is a cross sectional view taken on line 8—8 of FIG. 2.



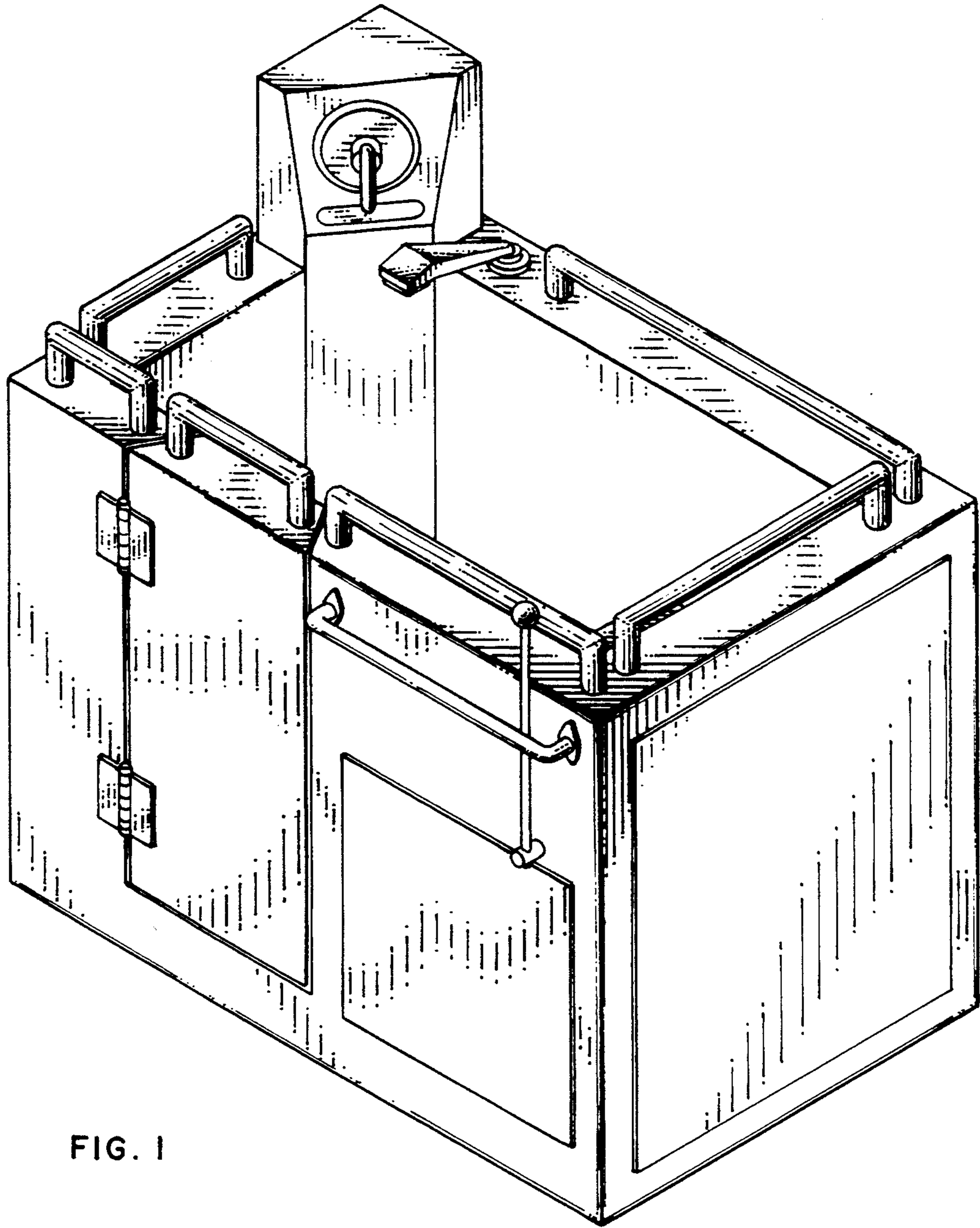


FIG. 1

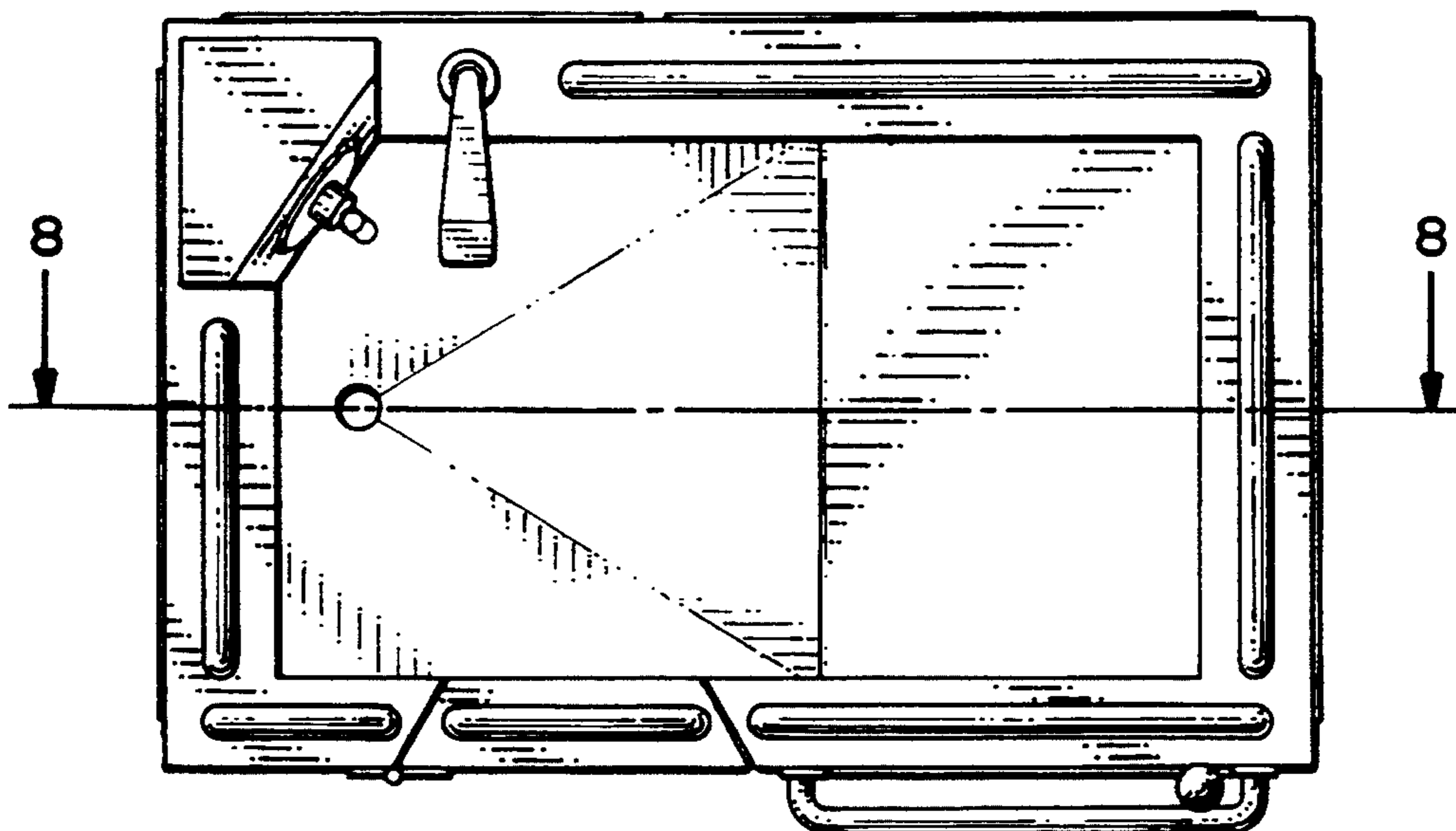


FIG. 2

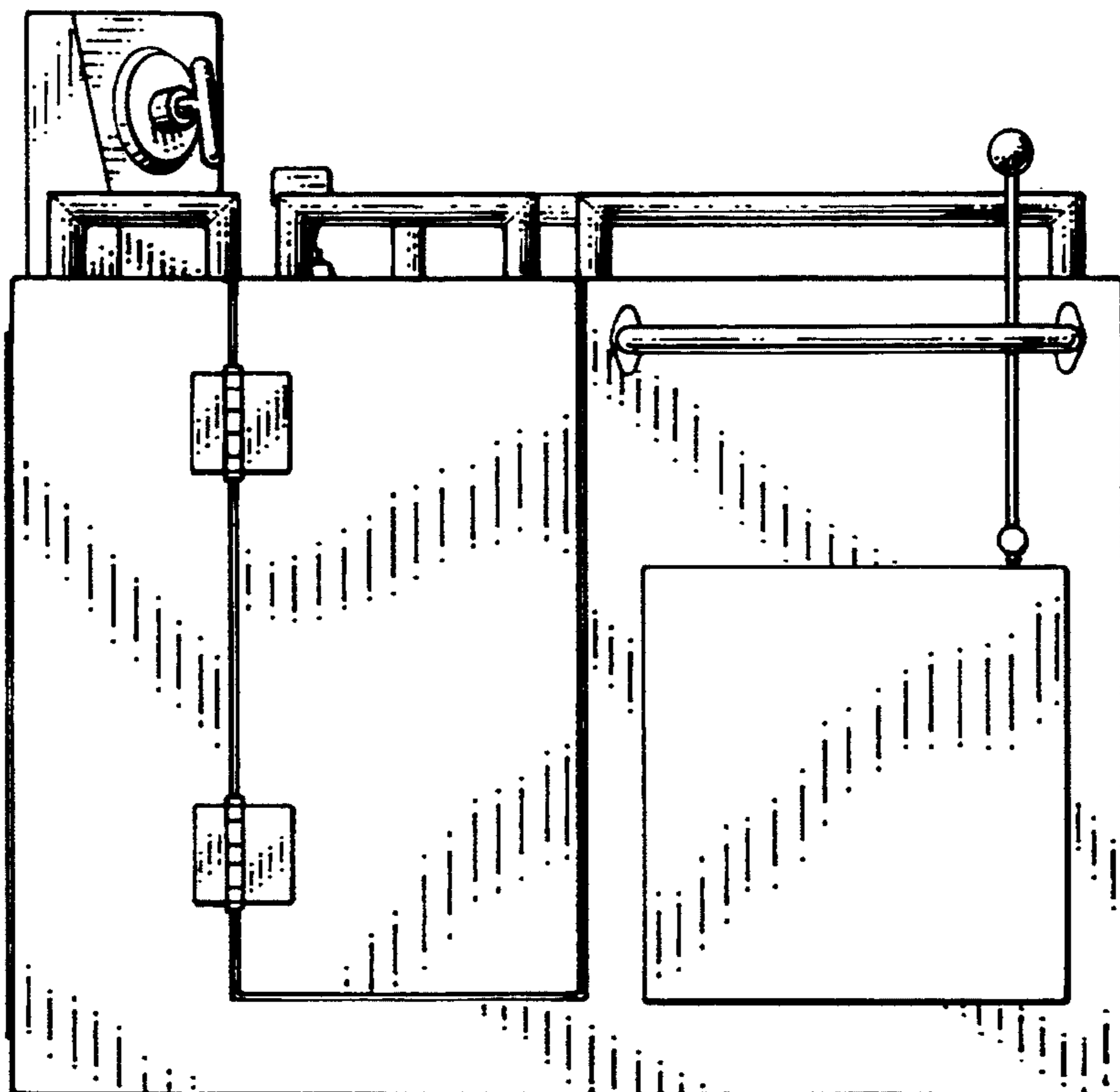


FIG. 3

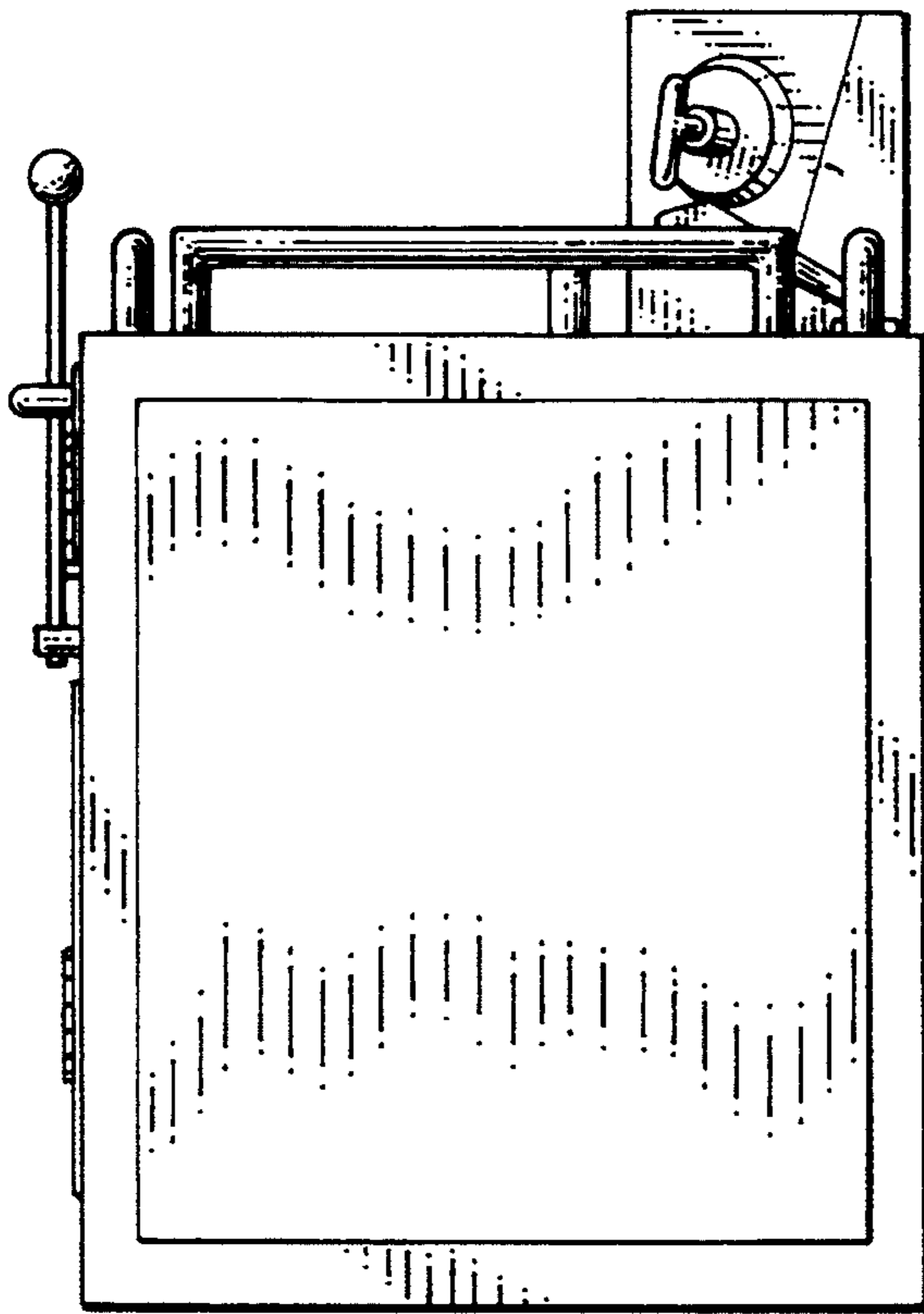


FIG. 4

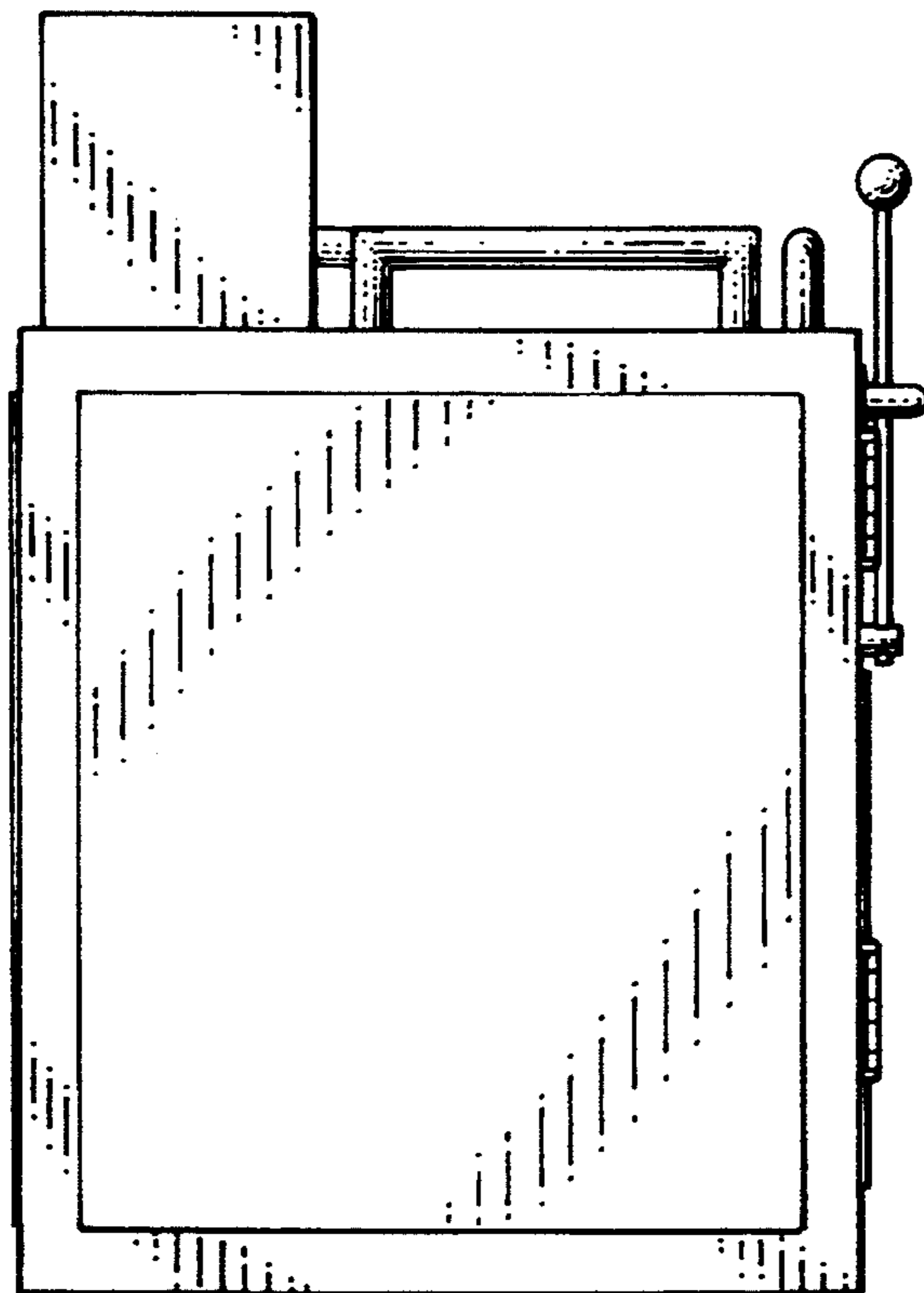


FIG. 5

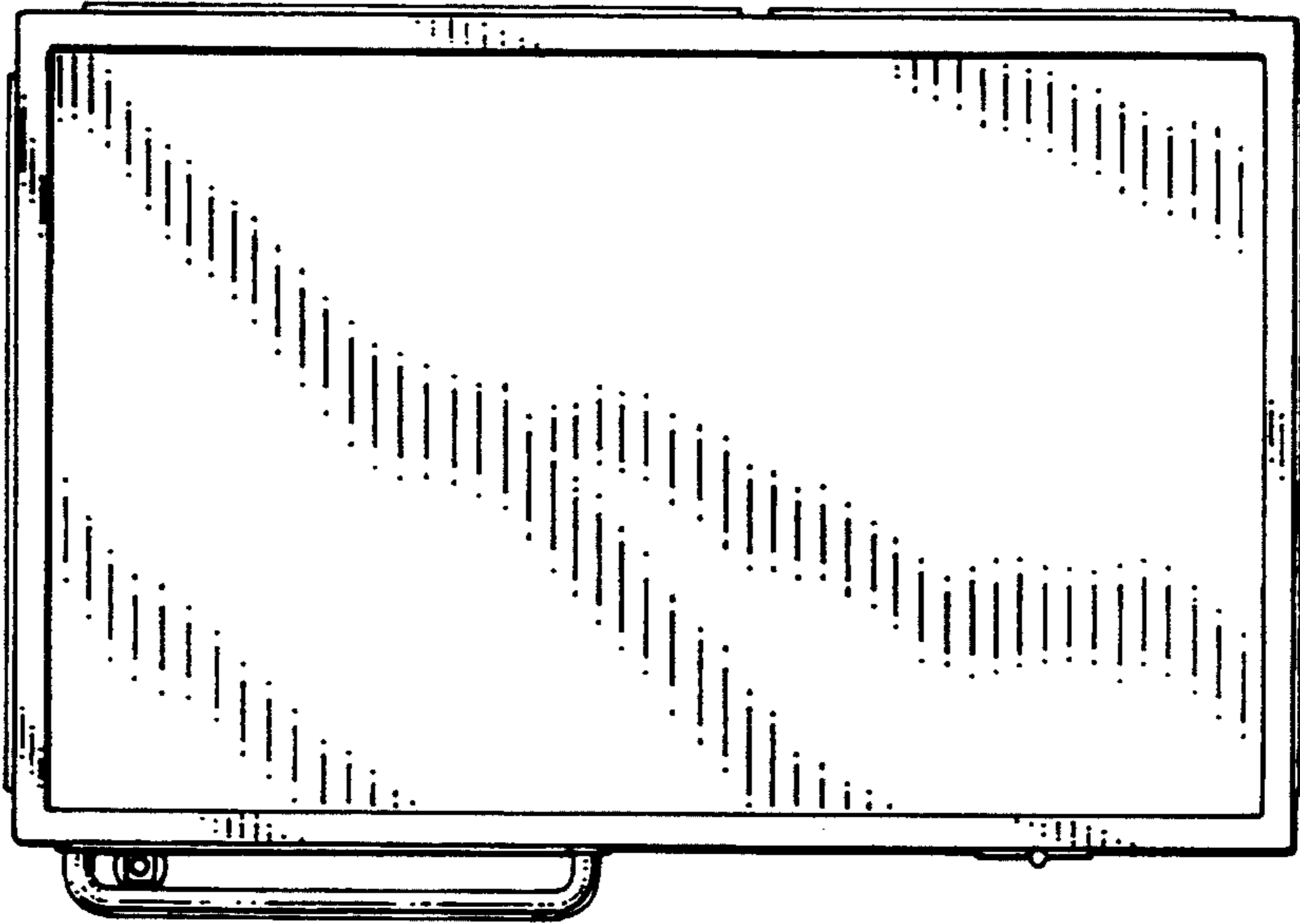


FIG. 6

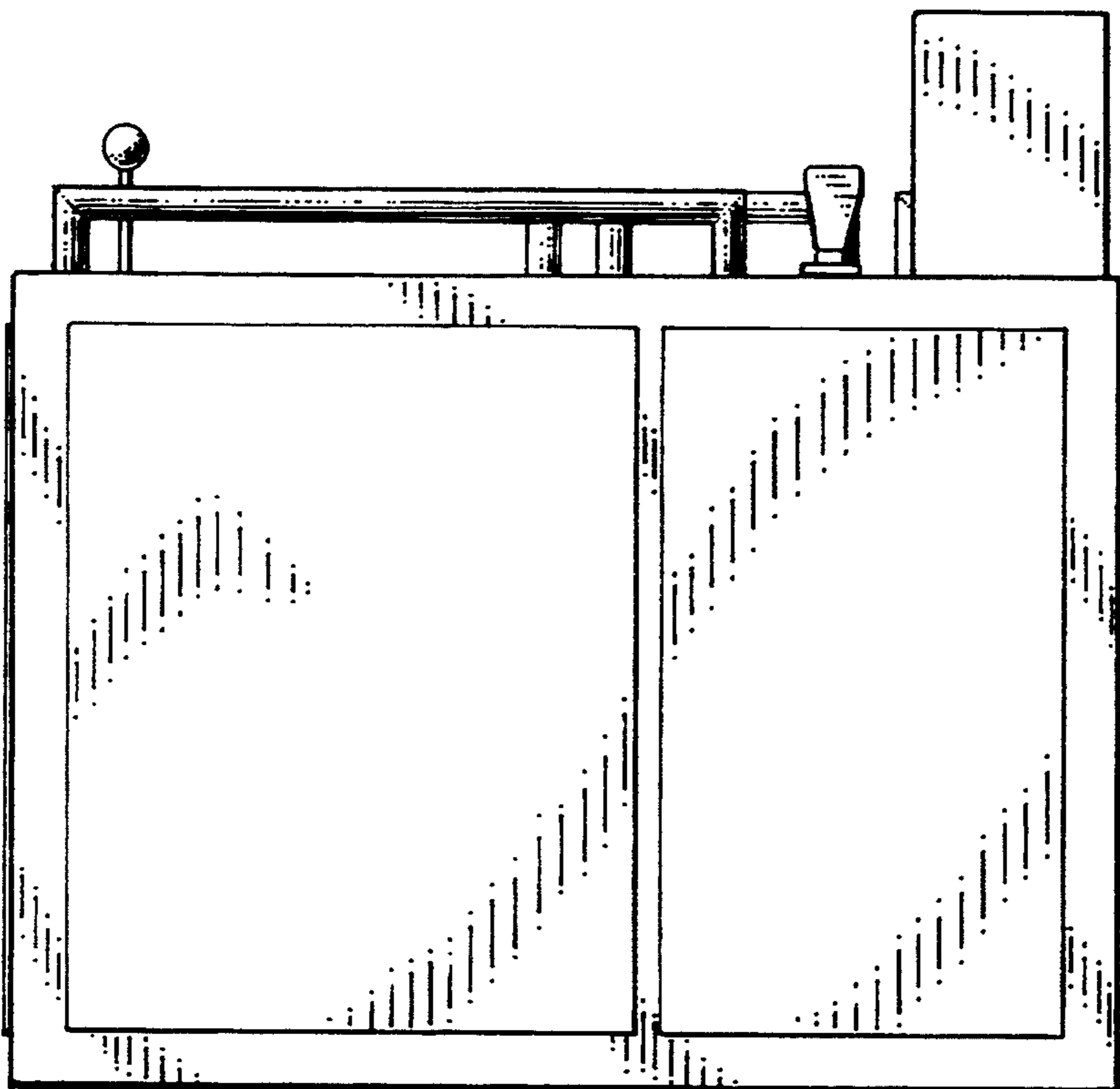


FIG. 7

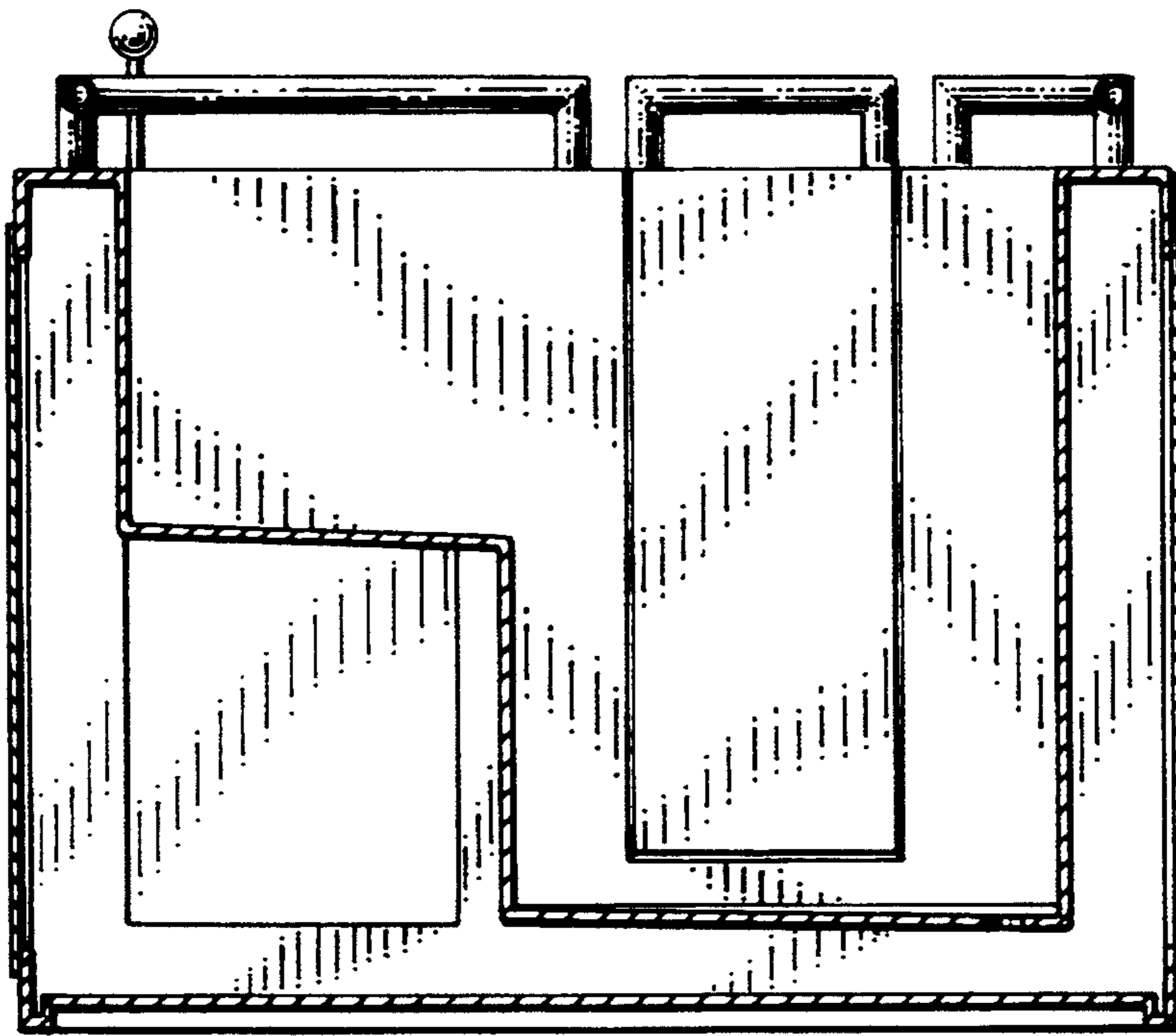


FIG. 8