



US00D352096S

# United States Patent [19]

[11] Patent Number: Des. 352,096

Tagg

[45] Date of Patent: \*\* Nov. 1, 1994

[54] COMBINED WATER CLOSET AND WASH BASIN

D. 197,946 4/1964 Tiller ..... D23/274  
D. 331,621 12/1992 Tapolcai ..... D23/274  
3,047,106 8/1962 Callan ..... 52/34

[75] Inventor: Richard L. Tagg, Sandhutton, England

Primary Examiner—A. Hugo Word  
Assistant Examiner—Eric Wotterson  
Attorney, Agent, or Firm—Kelly, Bauersfeld & Lowry

[73] Assignee: Portasilo Limited, Huntington, England

[\*\*] Term: 14 Years

[57] CLAIM

[21] Appl. No.: 708

The ornamental design for a combined water closet and wash basin, as shown and described.

[22] Filed: Oct. 21, 1992

DESCRIPTION

[52] U.S. Cl. .... D23/274

[58] Field of Search ..... 4/605, 612, 614; 52/34, 52/35, 264; D23/270, 271, 272, 273, 274, 275, 295, 299, 303, 305

FIG. 1 is a front, side perspective view of combined water closet and wash basin, showing my new design; FIG. 2 is a side elevational view thereof; FIG. 3 is a side elevational view thereof, opposite that shown in FIG. 2; FIG. 4 is a rear elevational view thereof; FIG. 5 is a front elevational view thereof; and, FIG. 6 is a top plan view thereof.

[56] References Cited

U.S. PATENT DOCUMENTS

D. 196,354 9/1963 Tiller ..... D23/274

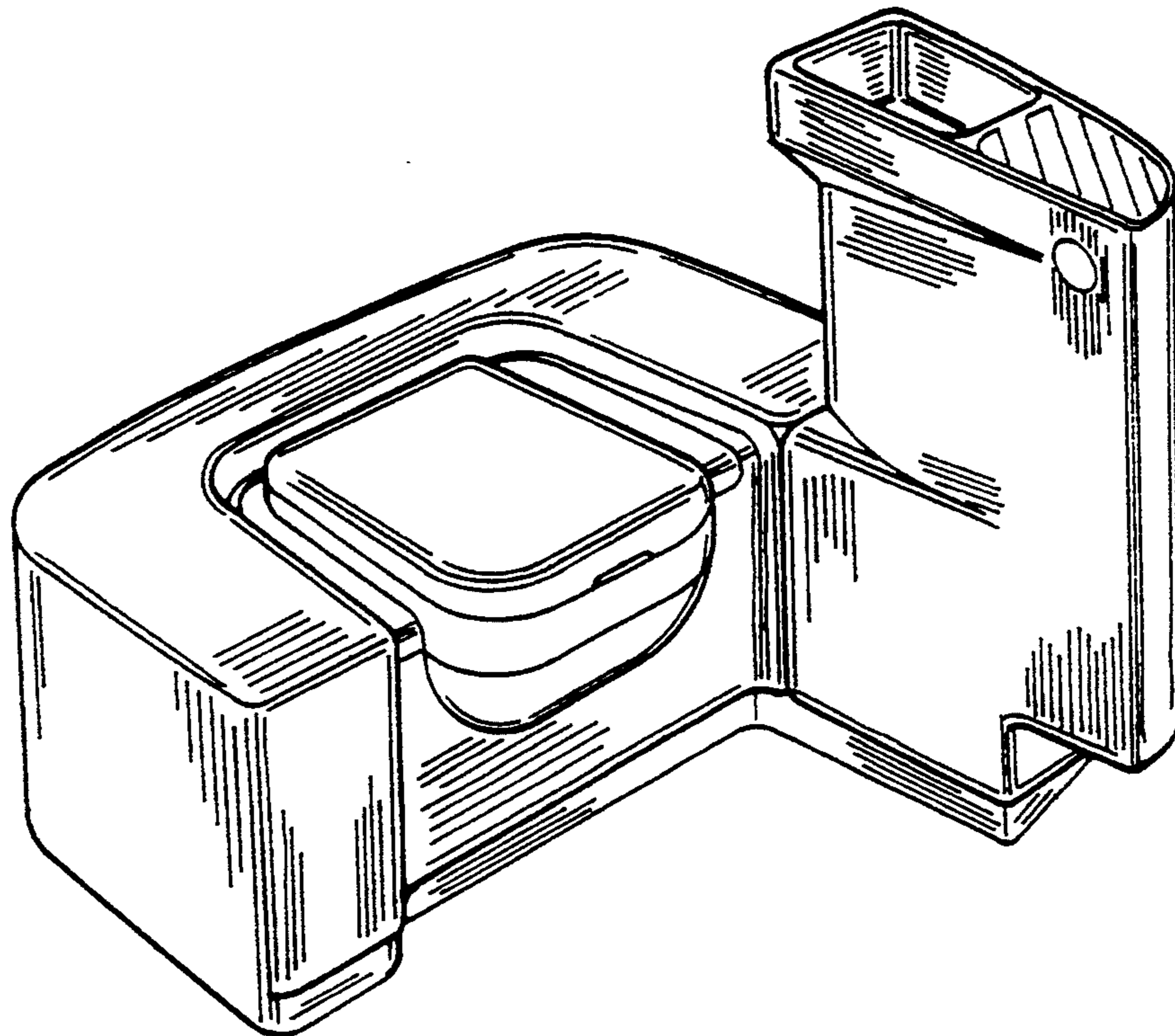
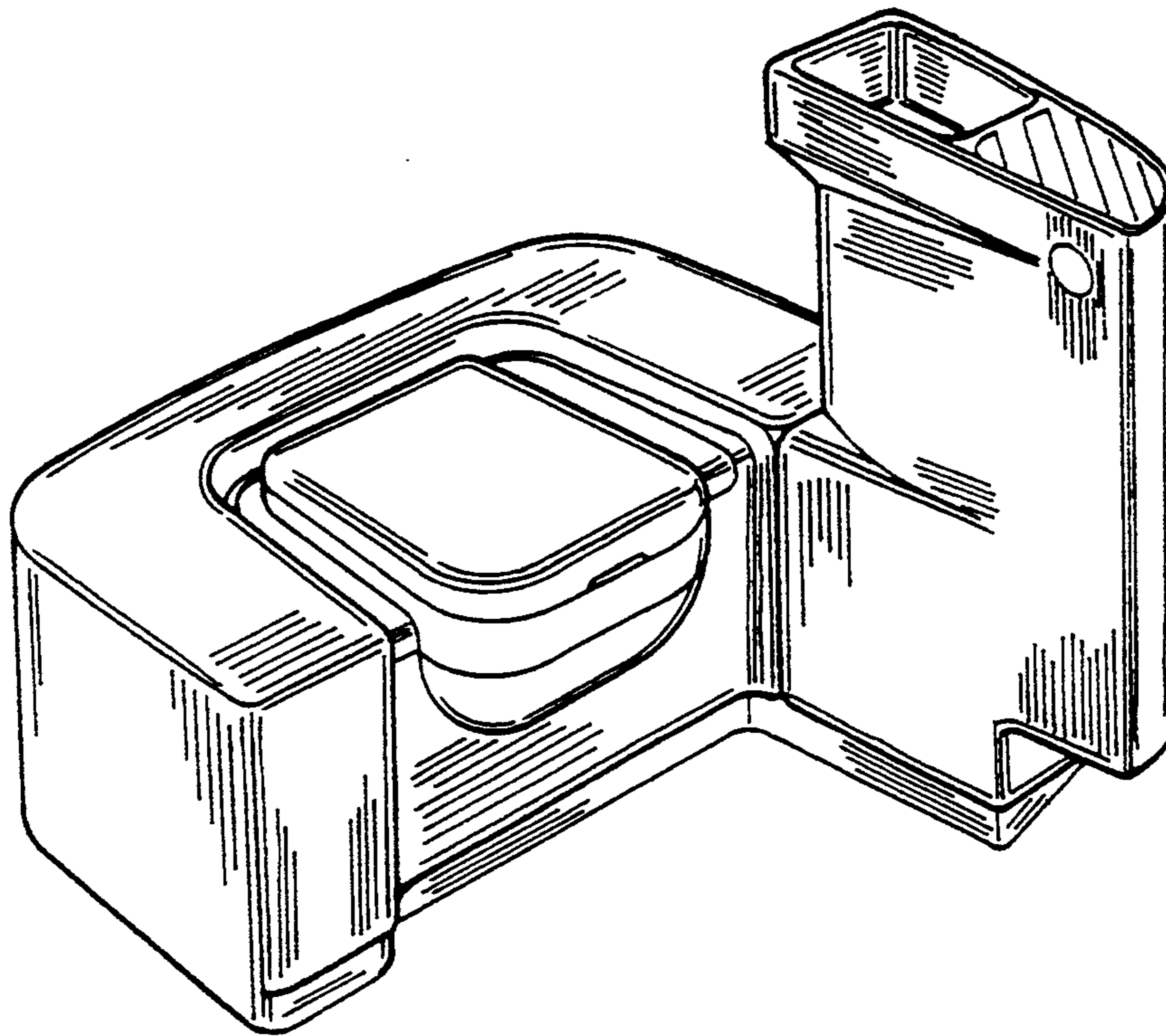


FIG 1



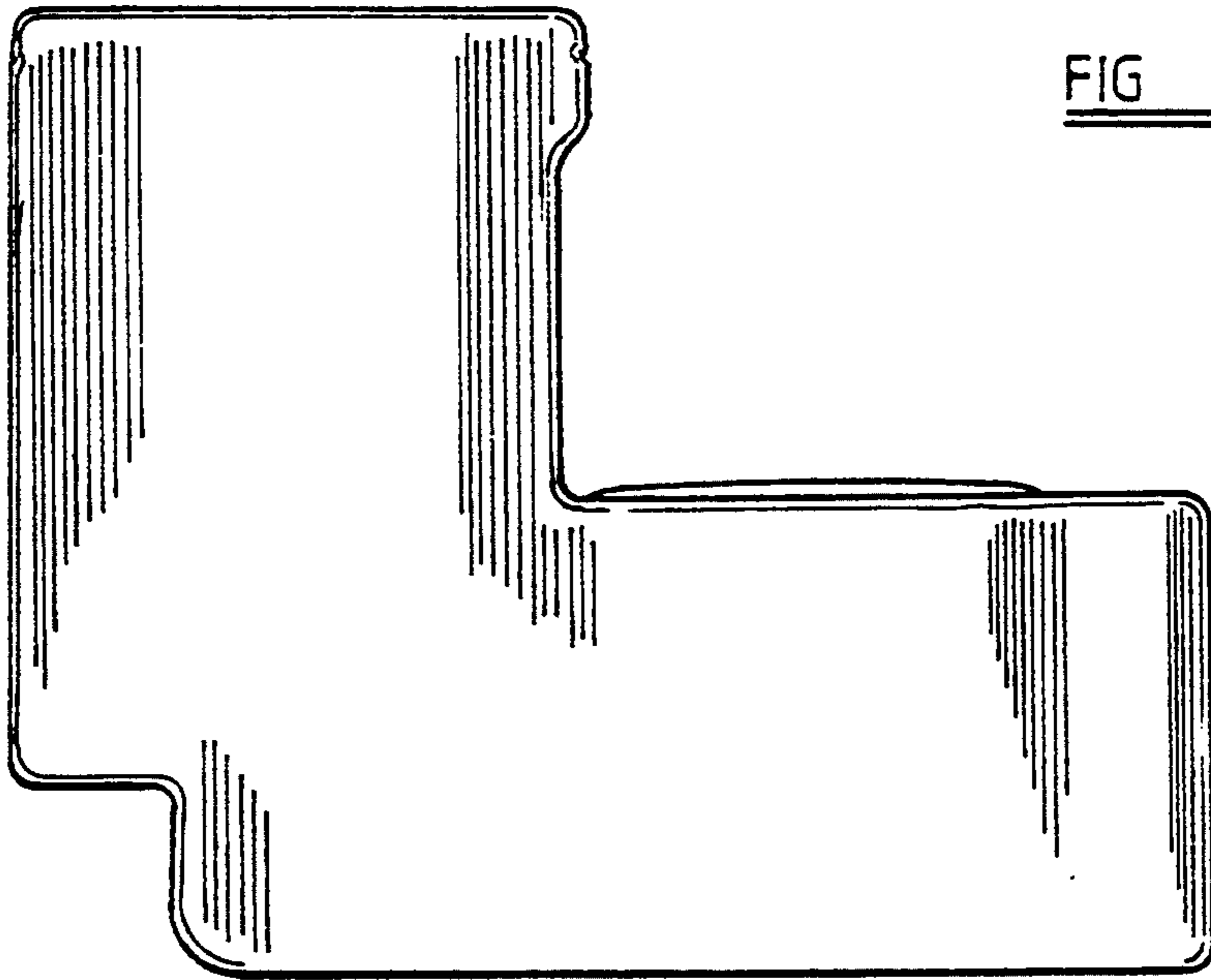


FIG 2

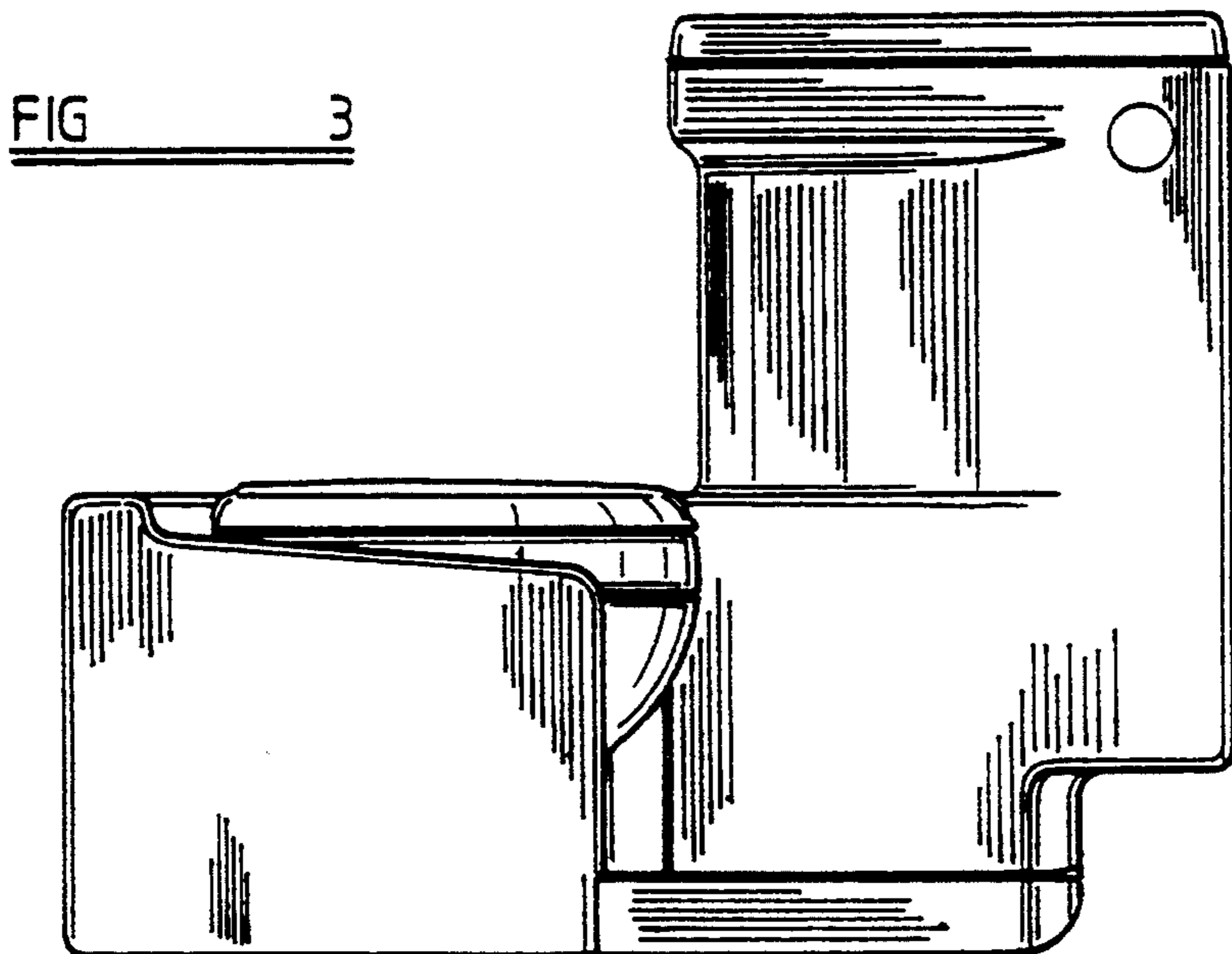


FIG 3

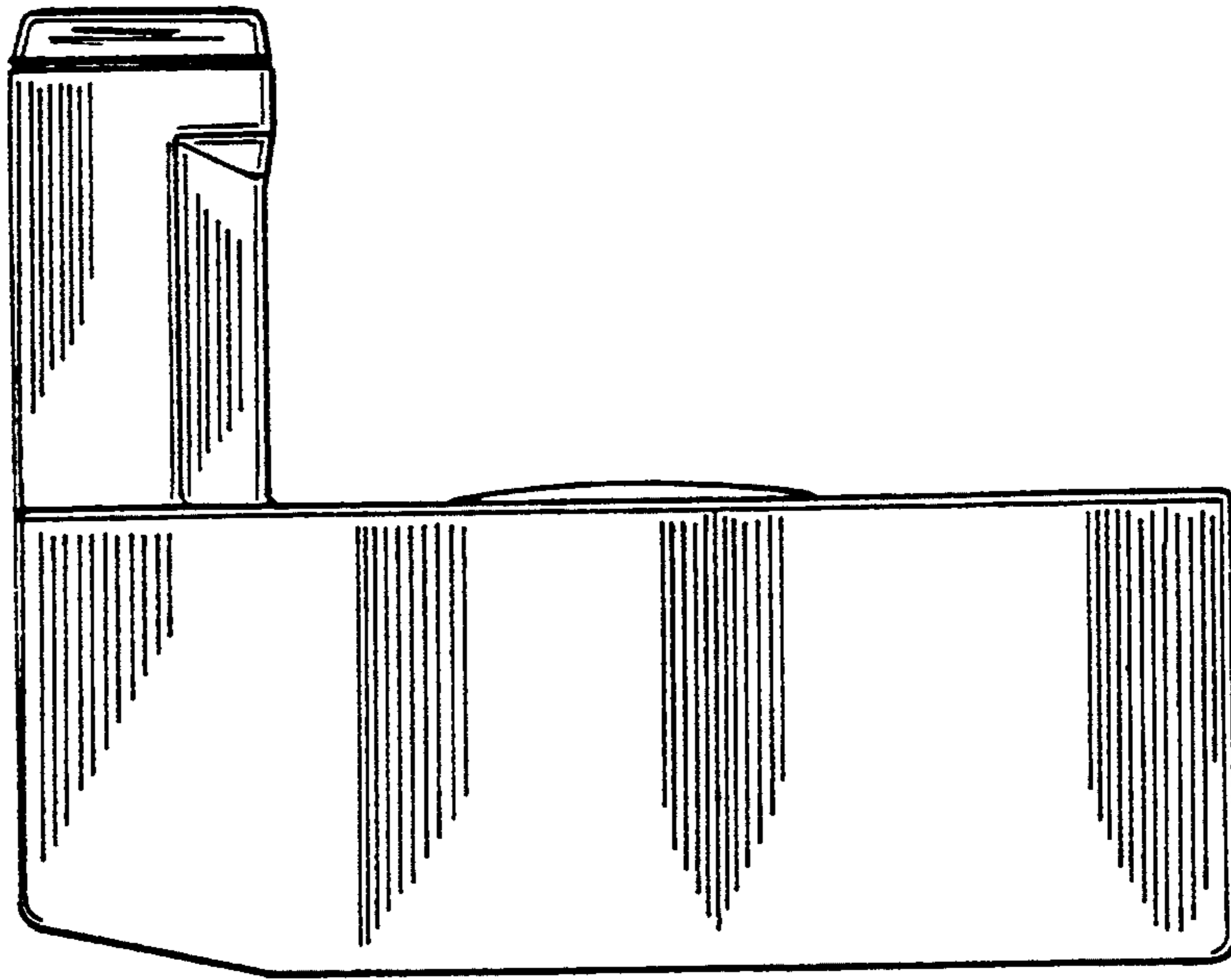


FIG 4

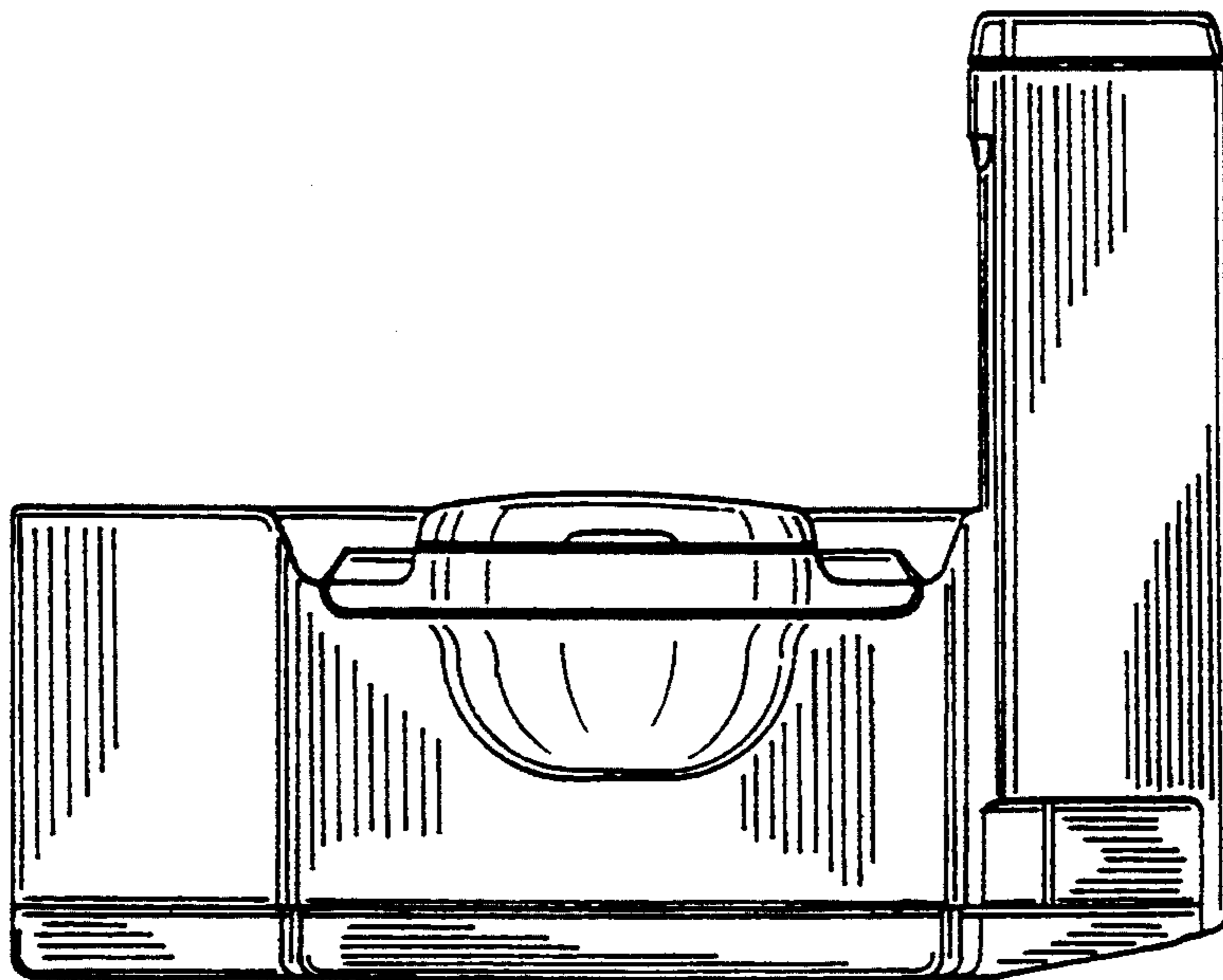


FIG 5

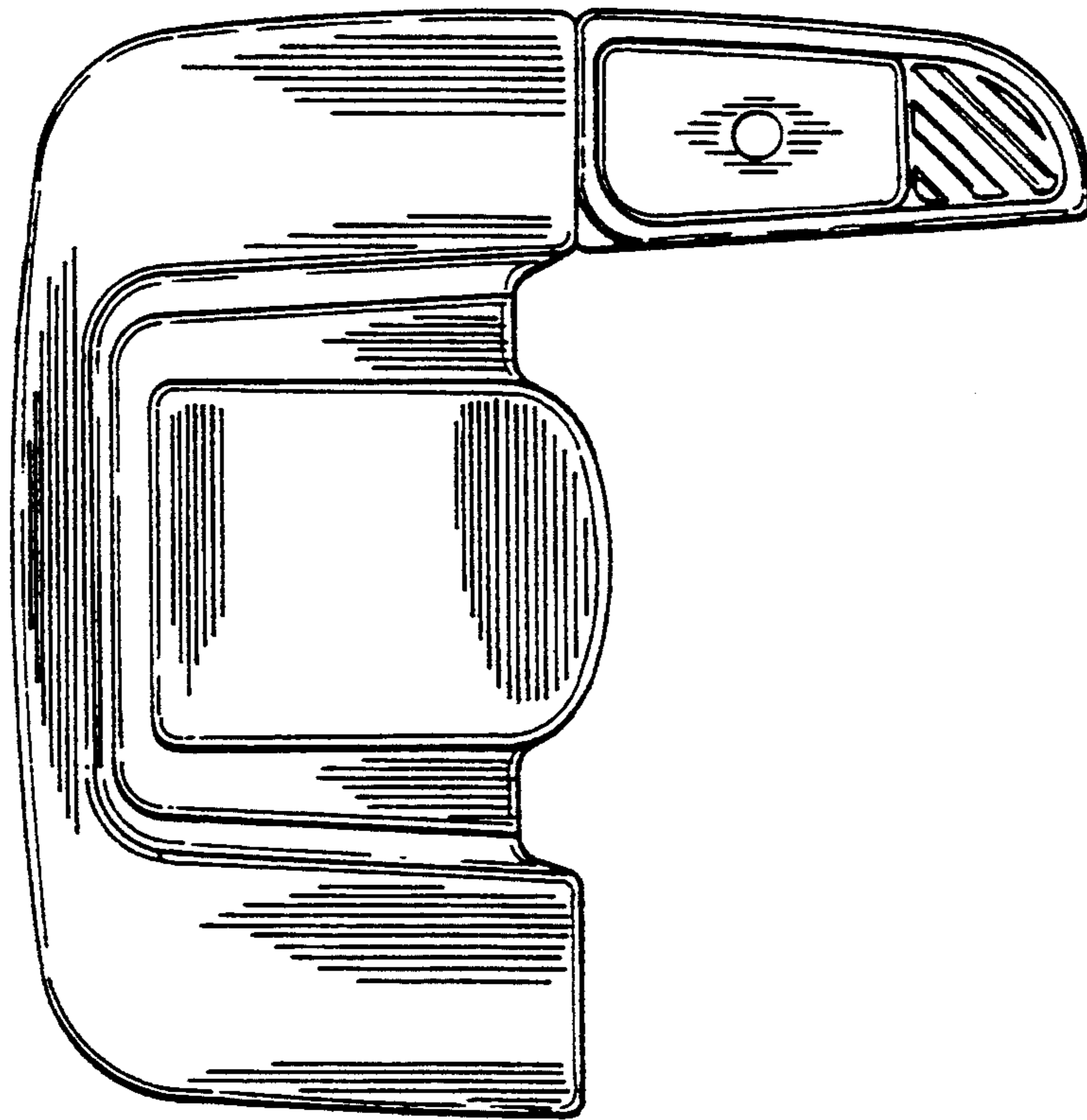


FIG 6