



US00D352094S

United States Patent [19]

[11] Patent Number: **Des. 352,094**

Baker

[45] Date of Patent: **** Nov. 1, 1994**

[54] **GATE VALVE**

4,222,406 9/1980 Schaefer 251/327
4,532,957 8/1985 Bottle et al. 251/329 X

[76] Inventor: **Dwight E. Baker, P.O. Box 249, Rush Springs, Okla. 73082**

Primary Examiner—Stella Reid
Assistant Examiner—Eric Watterson
Attorney, Agent, or Firm—Robert K. Rhea

[**] Term: **14 Years**

[21] Appl. No.: **888,094**

[57] **CLAIM**

[22] Filed: **May 26, 1992**

The ornamental design for a gate valve, as shown.

[52] U.S. Cl. **D23/244**

DESCRIPTION

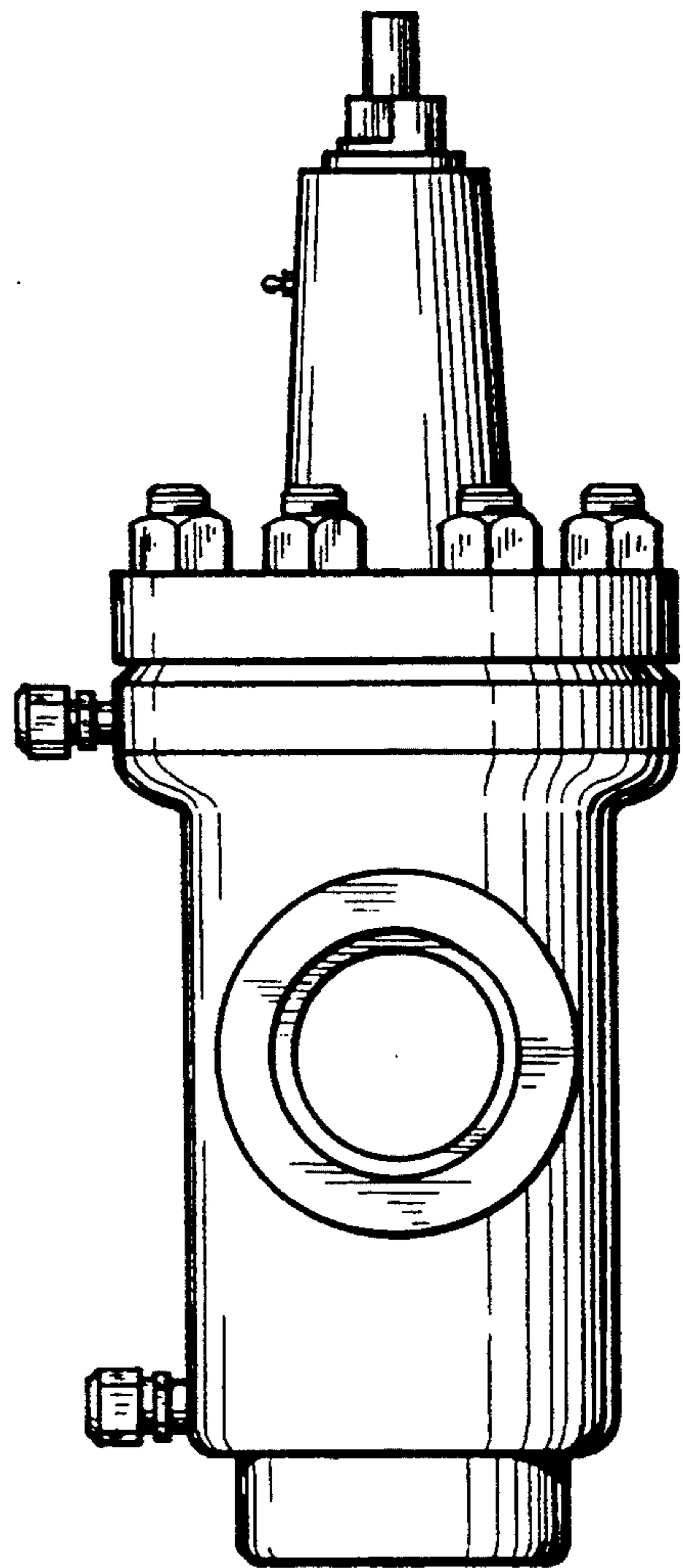
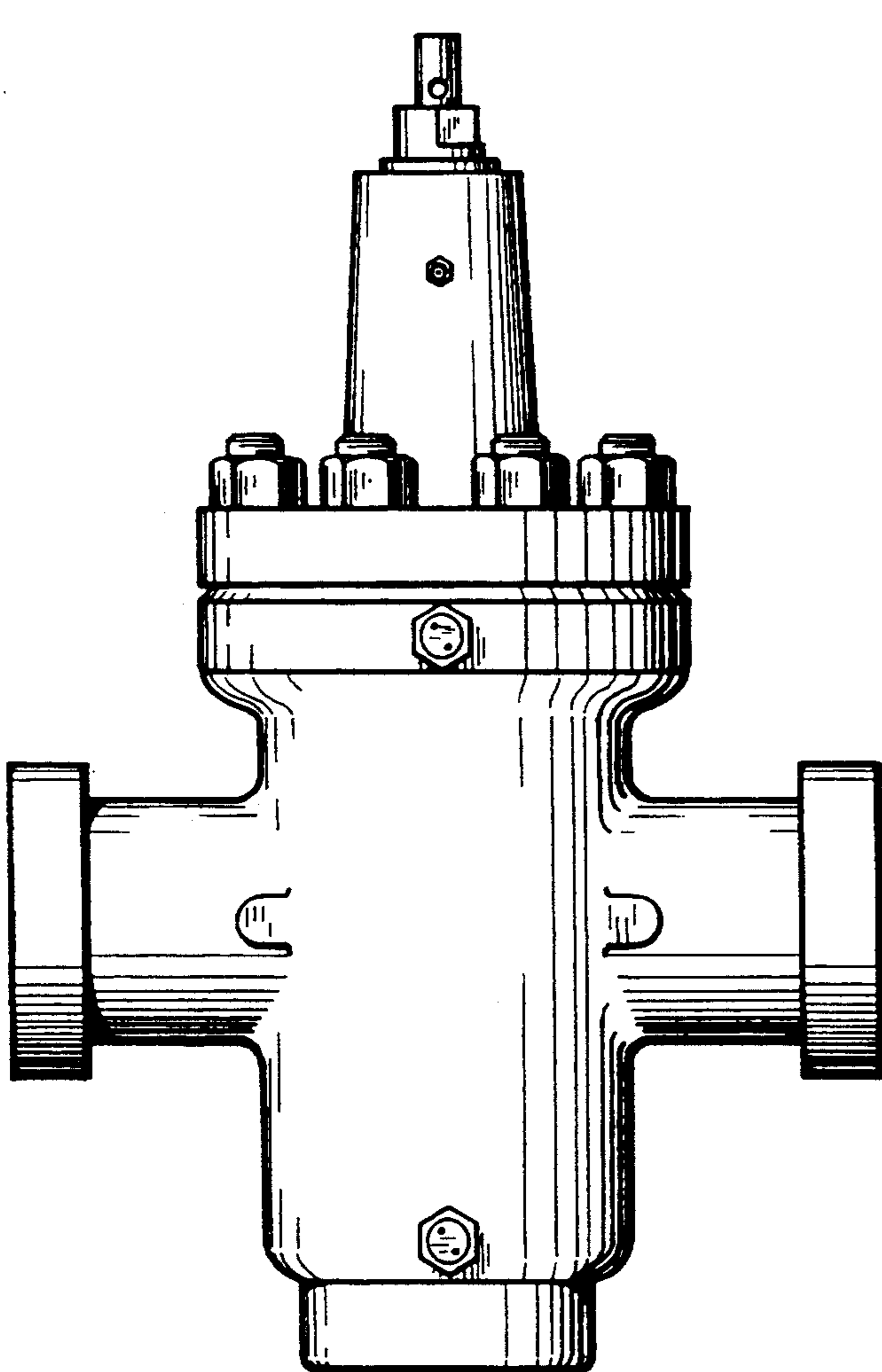
[58] Field of Search 251/326, 327, 328, 329;
D23/244-249, 235-236, 233

FIG. 1 is a front elevational view of my design for a gate valve;
FIG. 2 is a rear elevational view thereof;
FIG. 3 is a right end elevational view thereof;
FIG. 4 is a left end elevational view thereof;
FIG. 5 is a top plan view thereof; and,
FIG. 6 is a bottom plan view thereof.

[56] **References Cited**

U.S. PATENT DOCUMENTS

D. 203,432 1/1966 Lowrey D23/244
D. 287,043 12/1986 Hughes D23/248
D. 296,922 7/1988 Kemp D23/244



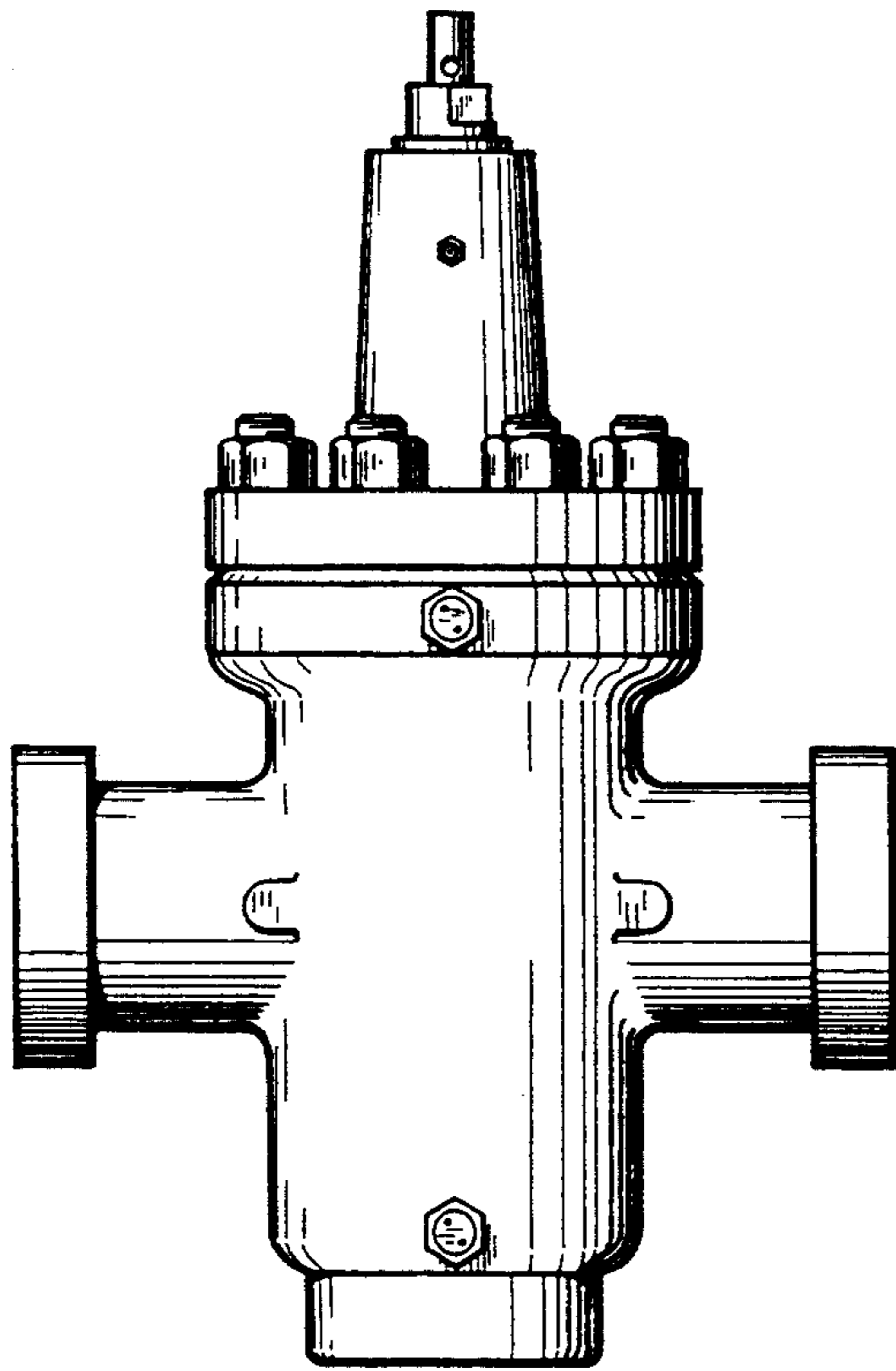


FIG. 1

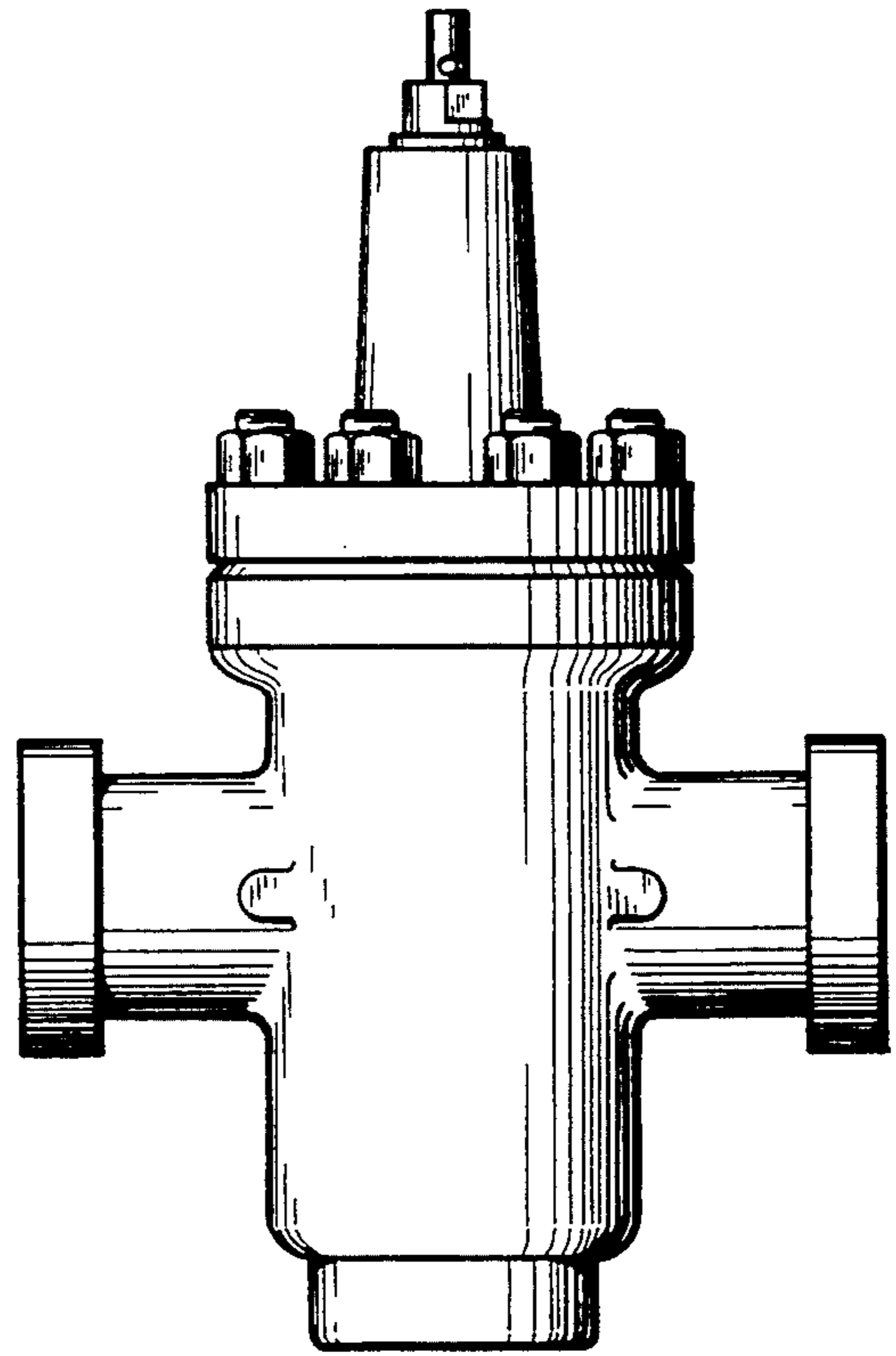


FIG. 2

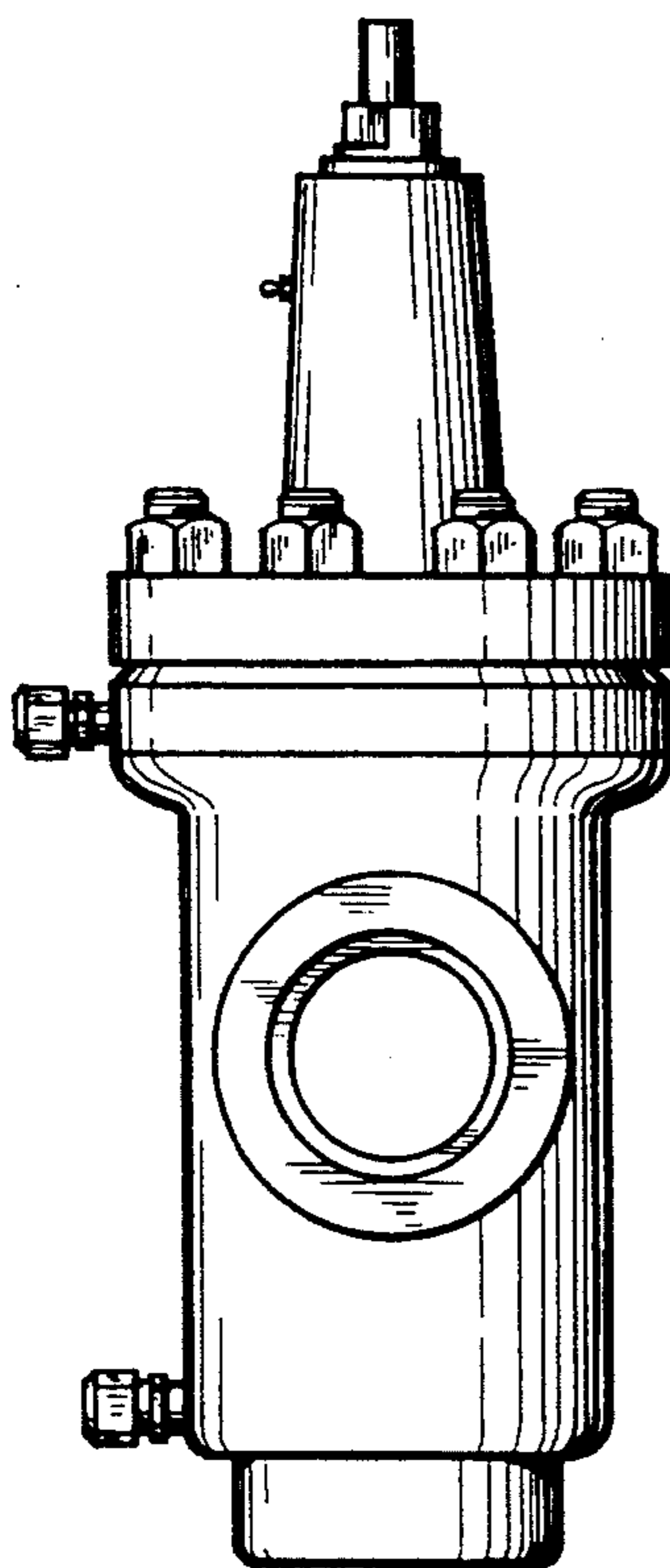


FIG. 3

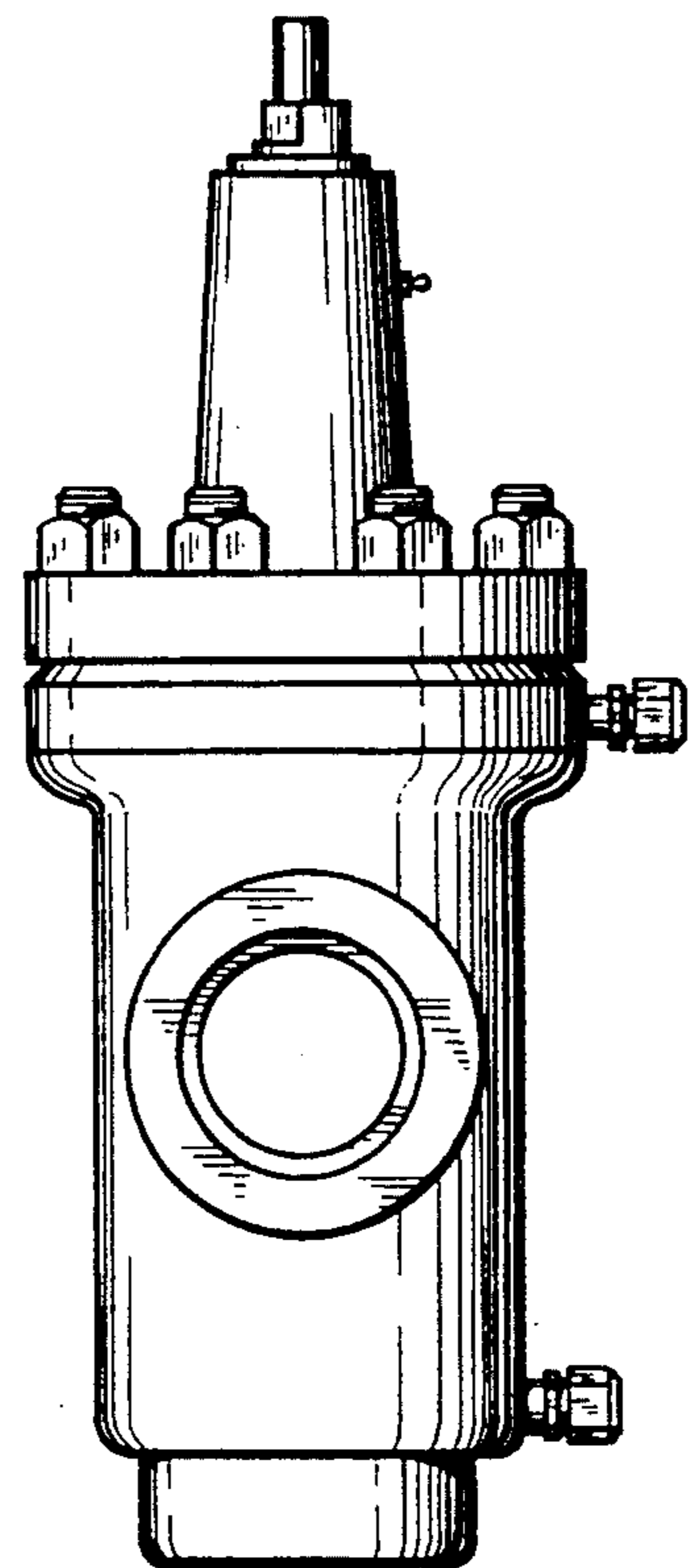


FIG. 4

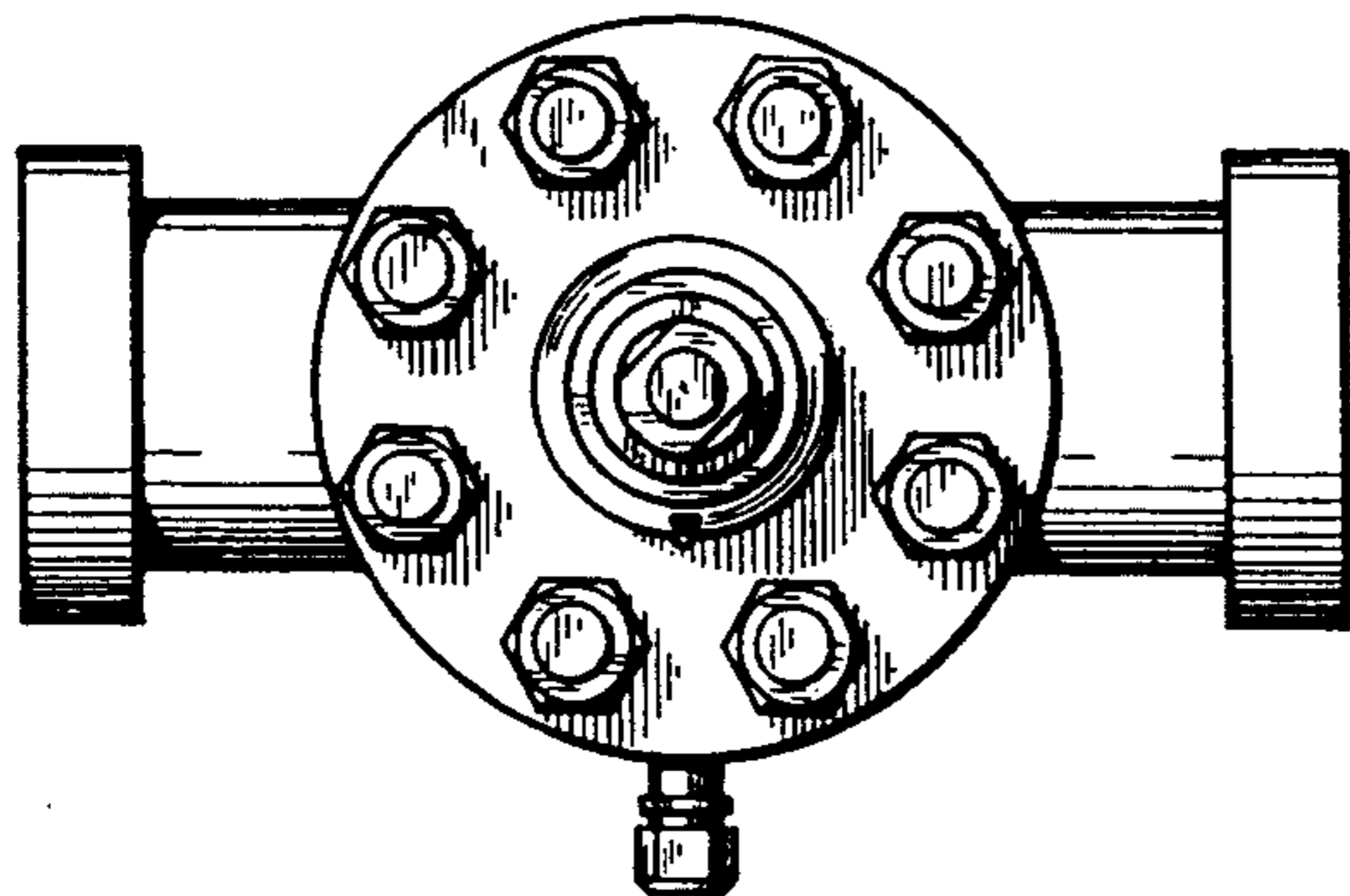


FIG. 5

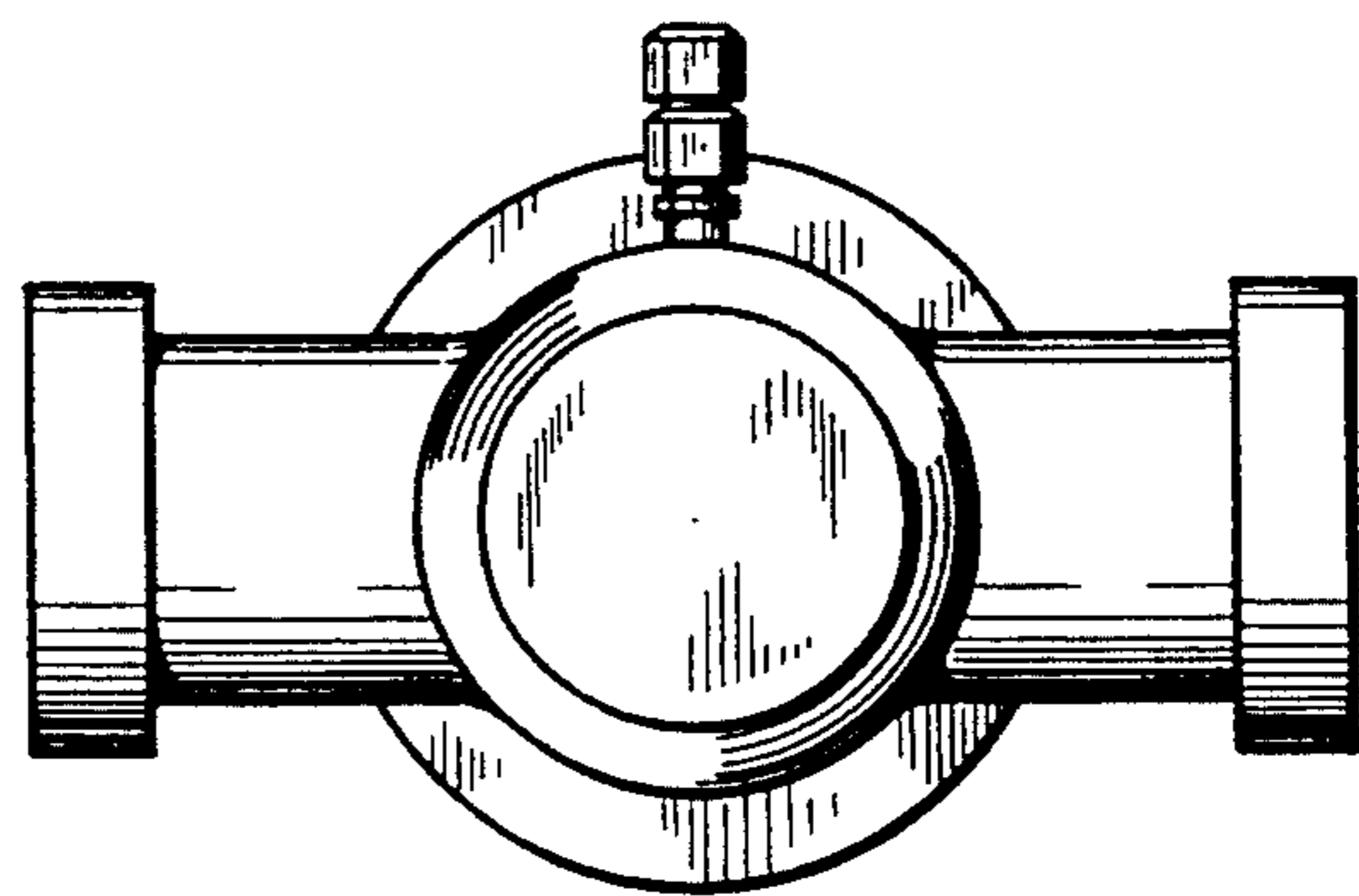


FIG. 6