



US00D352093S

United States Patent [19]

[11] Patent Number: **Des. 352,093**

Knycha

[45] Date of Patent: **** Nov. 1, 1994**

[54] **HAND OPERATED AIR PUMP FOR USE IN COMPOSTING OPERATIONS**

4,712,592 12/1987 Brown .
4,932,849 6/1990 Scheffer .

[76] Inventor: **Joseph A. Knycha, R.R. #1, Jerseyville, ON, Canada, L0R 1R0**

Primary Examiner—Wallace R. Burke
Assistant Examiner—Robin V. Taylor
Attorney, Agent, or Firm—Terry M. Gernstein

[**] Term: **14 Years**

[57] **CLAIM**

[21] Appl. No.: **13,370**

The ornamental design for an hand operated air pump for use in composting operations, as shown and described.

[22] Filed: **Sep. 23, 1993**

[52] U.S. Cl. **D23/231**

[58] Field of Search 417/234, 258, 535-537,
417/541-544, 571, 313; 152/415-416, 426;
141/98; D23/231, 232

DESCRIPTION

[56] **References Cited**

U.S. PATENT DOCUMENTS

D. 322,471	12/1991	Myers	D23/231
669,118	3/1901	Kindermann	417/258
817,538	4/1906	Wixon	417/258
1,330,266	2/1920	Holstein	417/258
3,904,326	9/1975	Clement	D23/231
4,569,275	2/1986	Brunet	.	

FIG. 1 is an exploded front, top and side perspective view a hand operated air pump for use in composting operations showing my new design;
FIG. 2 is an exploded front elevational view thereof; the rear, top and bottom being a mirror image;
FIG. 3 is an exploded end view thereof;
FIG. 4 is an exploded end elevational view thereof as seen from the opposite end of FIG. 3; and,
FIG. 5 is a reduced perspective view thereof in assembled condition.



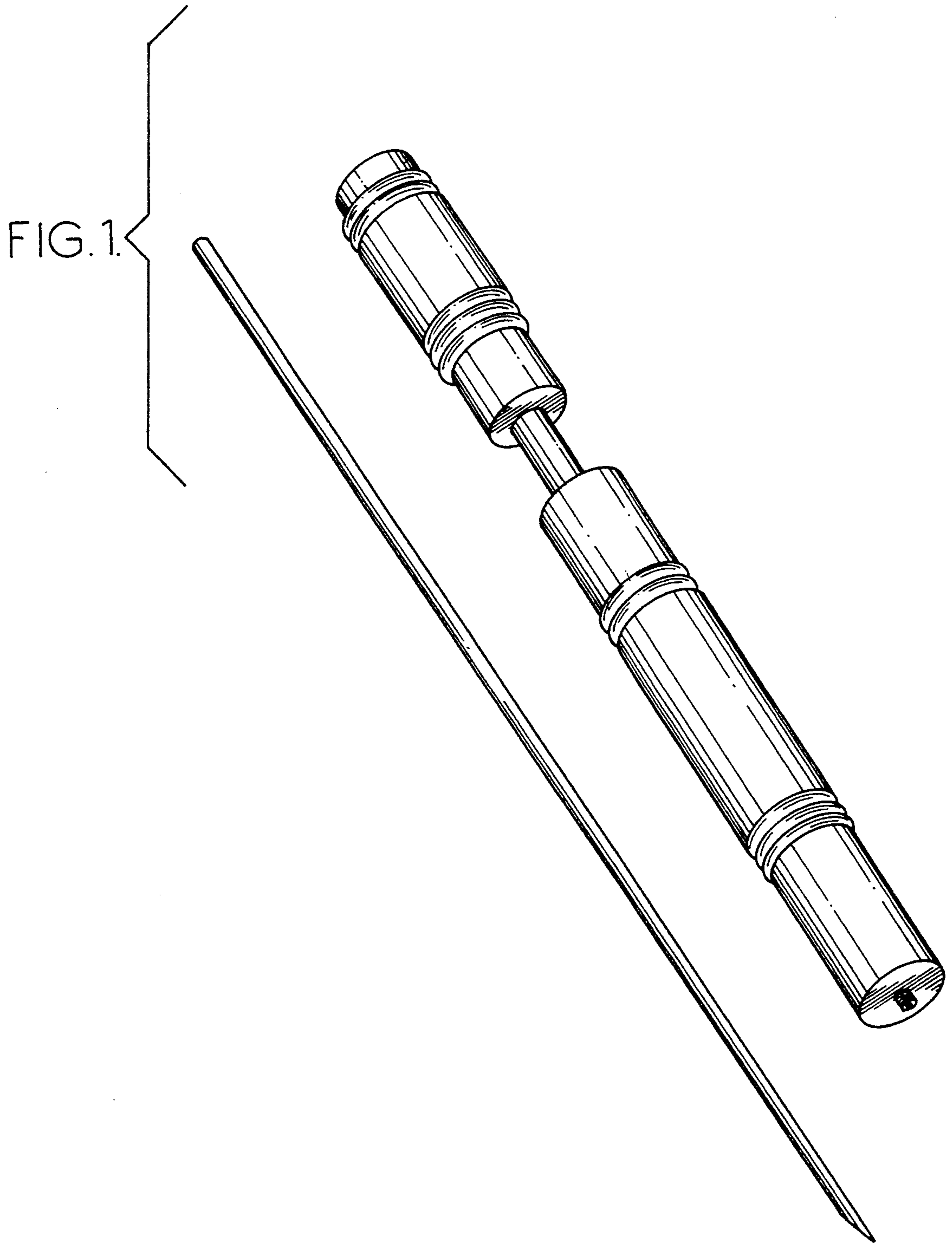
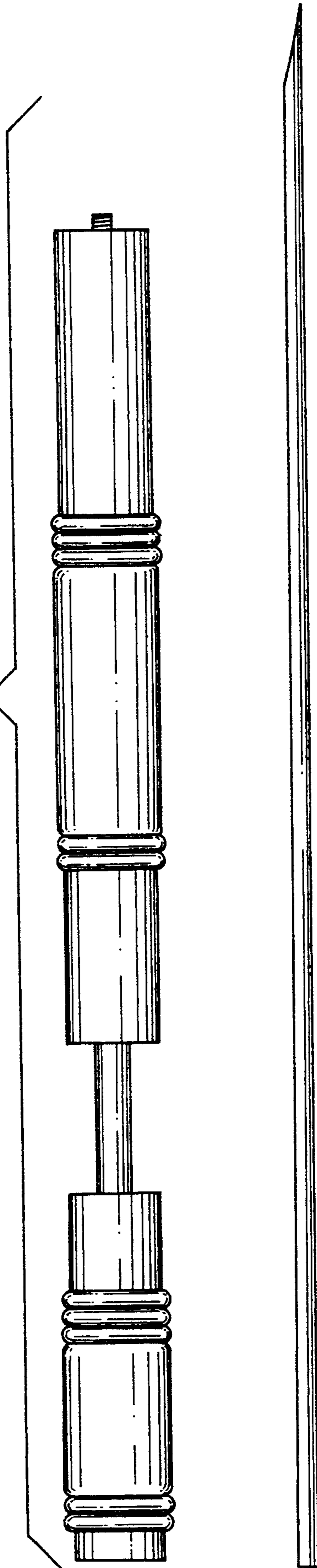
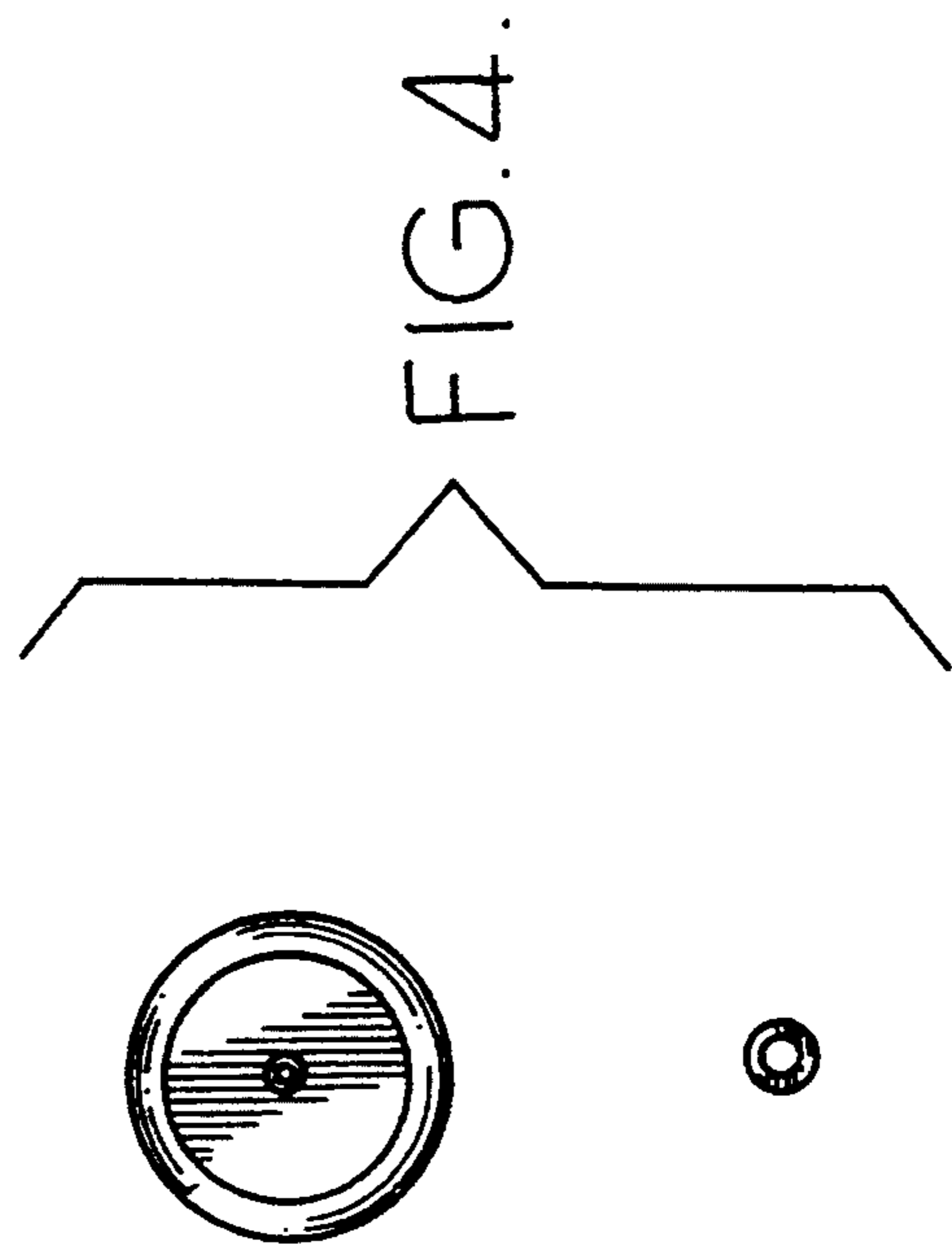
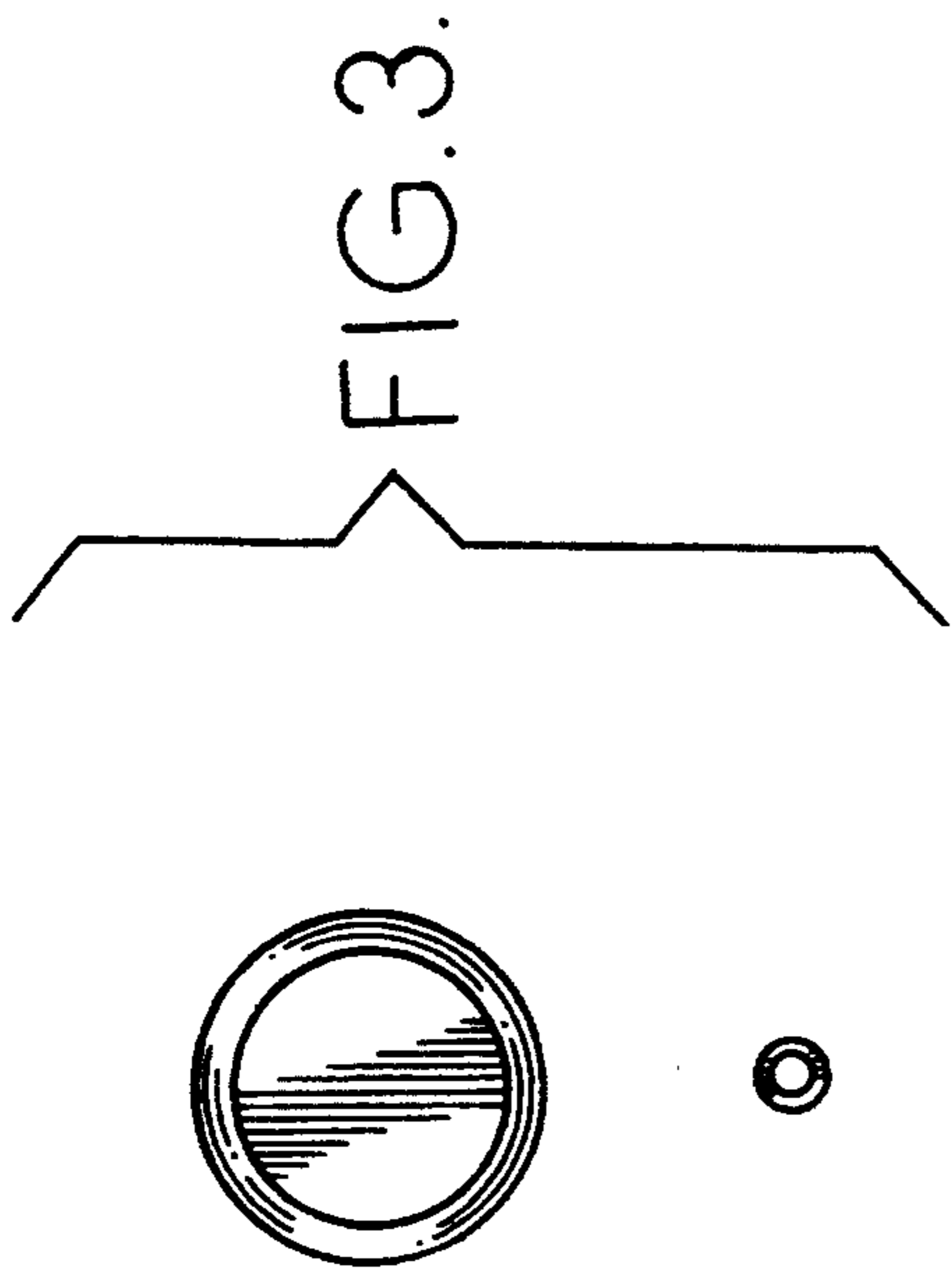


FIG. 2.





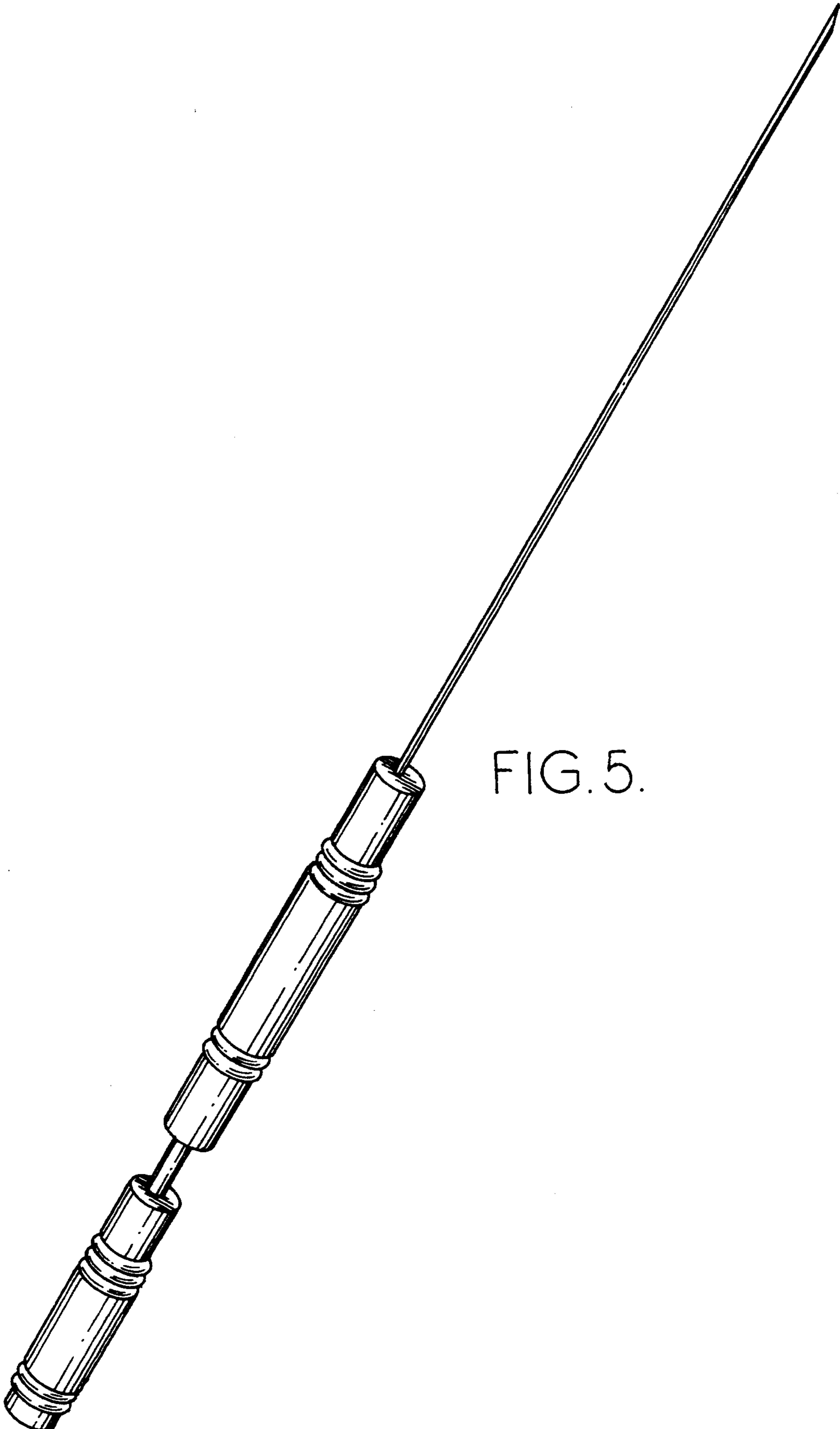


FIG. 5.