



US00D352091S

# United States Patent [19]

[11] Patent Number: **Des. 352,091**

LeMire et al.

[45] Date of Patent: **\*\* Nov. 1, 1994**

[54] **WATER PURIFICATION UNIT**

5,145,588	9/1993	Pedersen .....	210/275
5,242,588	9/1993	Reese .....	210/232
5,300,224	4/1994	Farley .....	210/282

[76] Inventors: **George J. LeMire**, 57 South St., Plainville, Mass. 02762; **Nathan A. Rihani**, 52 Foxglove Dr., Cranston, R.I. 02920

*Primary Examiner*—Wallace R. Burke  
*Assistant Examiner*—M. Brown  
*Attorney, Agent, or Firm*—Robert J. Doherty

[\*\*] Term: **14 Years**

[57] **CLAIM**

[21] Appl. No.: **13,970**

The ornamental design for a water purification unit, as shown and described.

[22] Filed: **Oct. 8, 1993**

**DESCRIPTION**

[52] U.S. Cl. .... **D23/209**

[58] Field of Search ..... 210/232, 275, 282, 286, 210/314, 284, 661, 668, 669, 793; D23/209

FIG. 1 is a perspective view of a water purification unit showing our new design;

FIG. 2 is a front elevational as well as both a top and bottom view thereof, the rear elevational view being a substantial mirror image thereof;

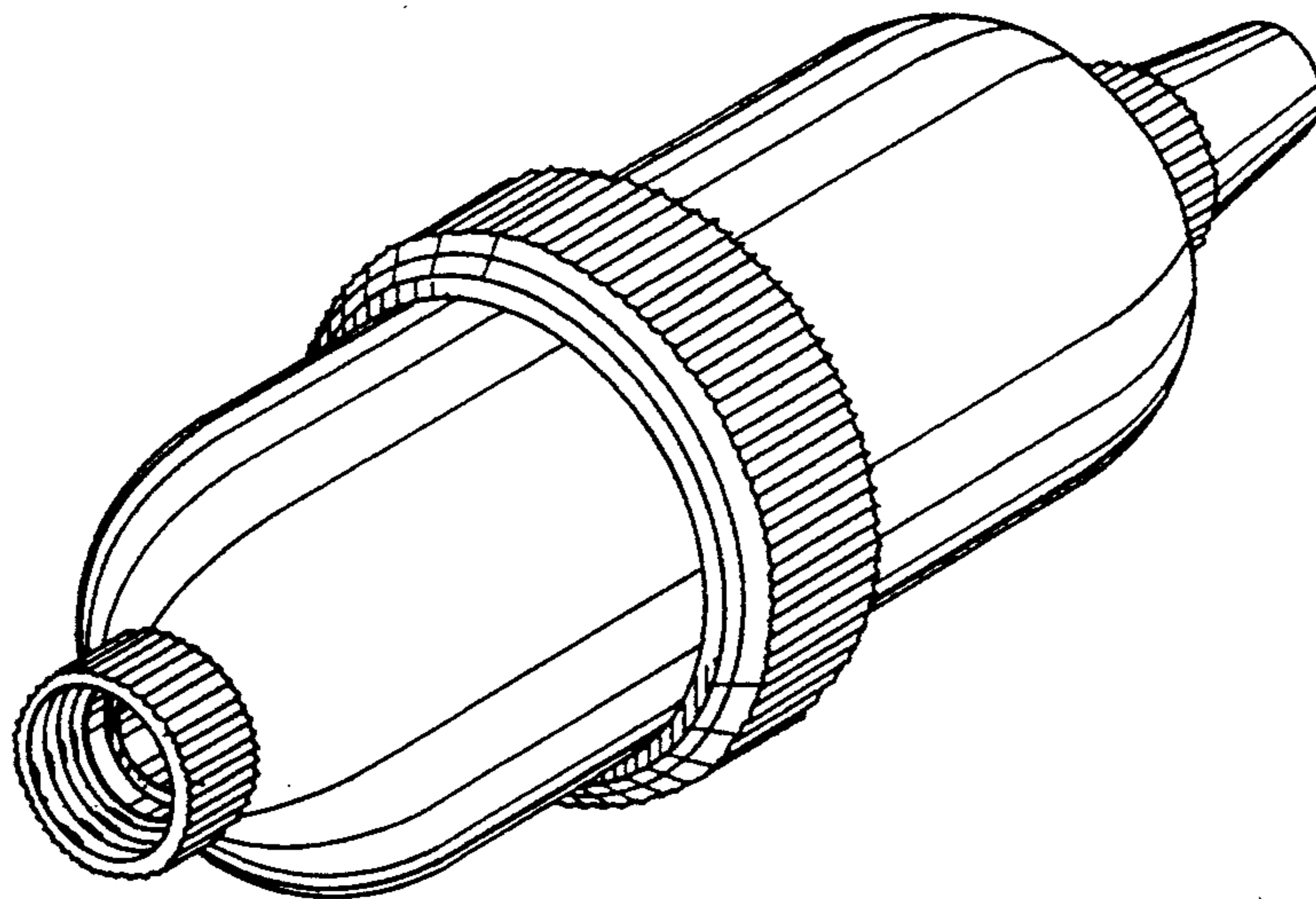
FIG. 3 is a left side elevational view; and,

FIG. 4 is a right side elevational view.

[56] **References Cited**

**U.S. PATENT DOCUMENTS**

4,692,247 9/1987 Orleans ..... 210/314



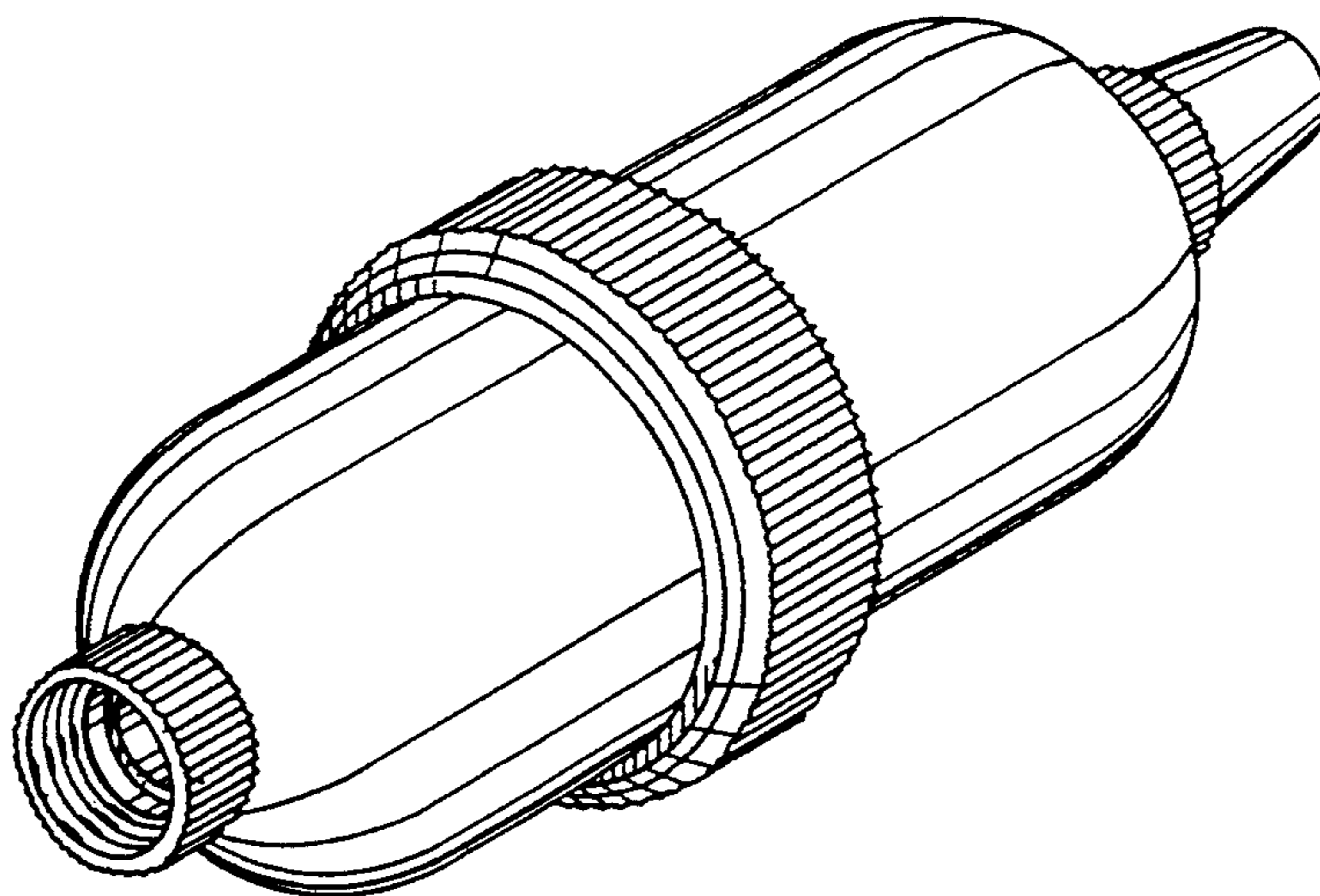


FIG. 1

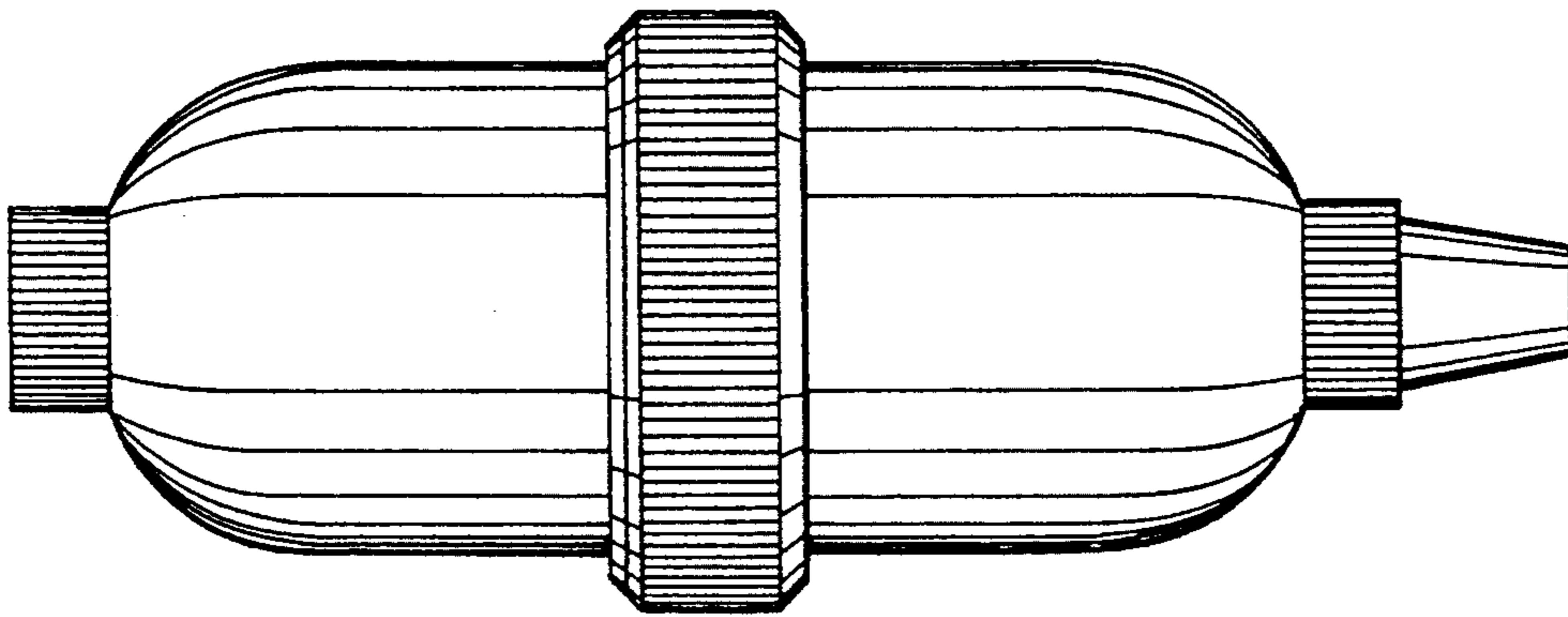


FIG. 2

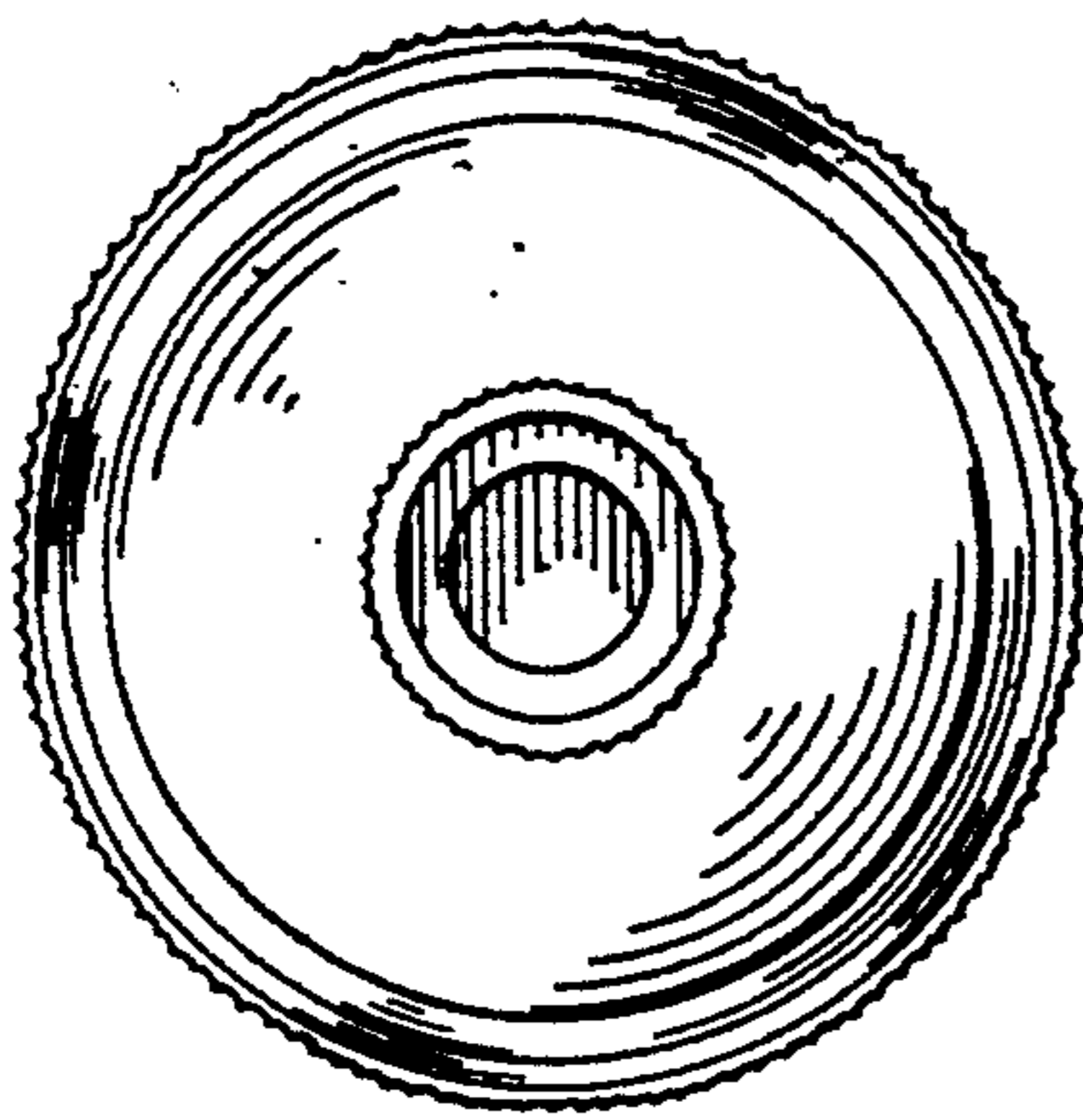


FIG. 3

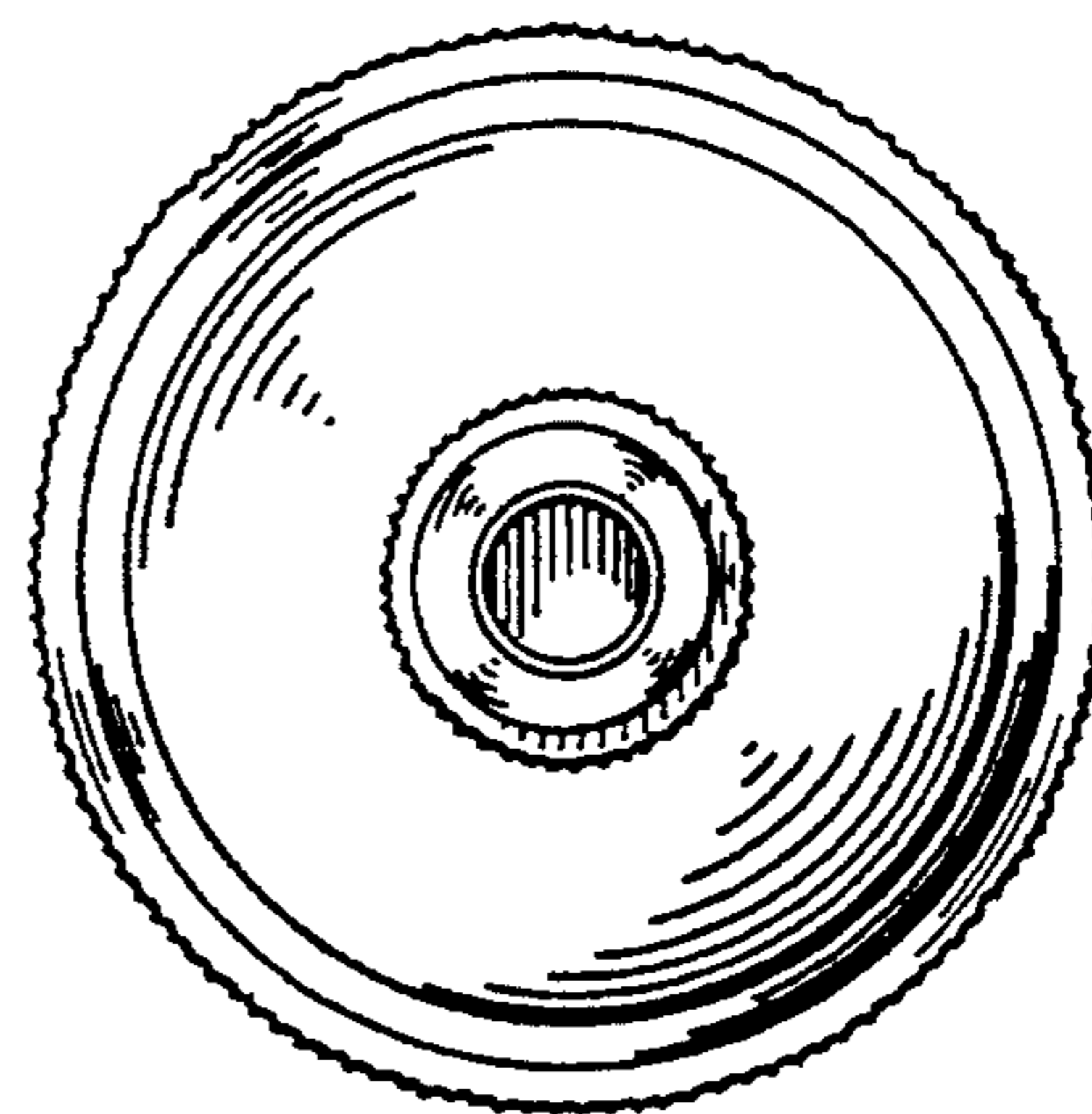


FIG. 4