



US00D352090S

United States Patent [19]

[11] Patent Number: **Des. 352,090**

Dea et al.

[45] Date of Patent: **** Nov. 1, 1994**

[54] **CONSOLE FOR FLUID RECYCLING**

[75] Inventors: **William S. Dea**, Bloomington; **Curt A. Deiner**, Prior Lake, both of Minn.; **William G. Alford**, Cincinnati, Ohio

[73] Assignee: **Century Mfg. Co.**, Minneapolis, Minn.

[**] Term: **14 Years**

[21] Appl. No.: **4,174**

[22] Filed: **Jan. 28, 1993**

[52] U.S. Cl. **D23/207**

[58] Field of Search 210/295-296,
210/323.1, 195.2, 195.3, 758-759, 767; 206/569;
D23/200, 207-209

[56] **References Cited**

U.S. PATENT DOCUMENTS

- D. 290,491 6/1987 Goddard D23/207
- D. 292,429 10/1987 Spink .
- D. 306,339 2/1990 Slovak .
- D. 314,607 2/1991 Kapec et al. .
- D. 328,777 8/1992 Thalmann et al. .

- D. 332,993 2/1993 Dea et al. .
- 5,091,081 2/1992 Hilgren .
- 5,100,562 3/1992 Proctor 210/180 X
- 5,167,826 12/1992 Eaton 210/195.2 X
- 5,262,013 11/1993 Beal et al. 210/295 X

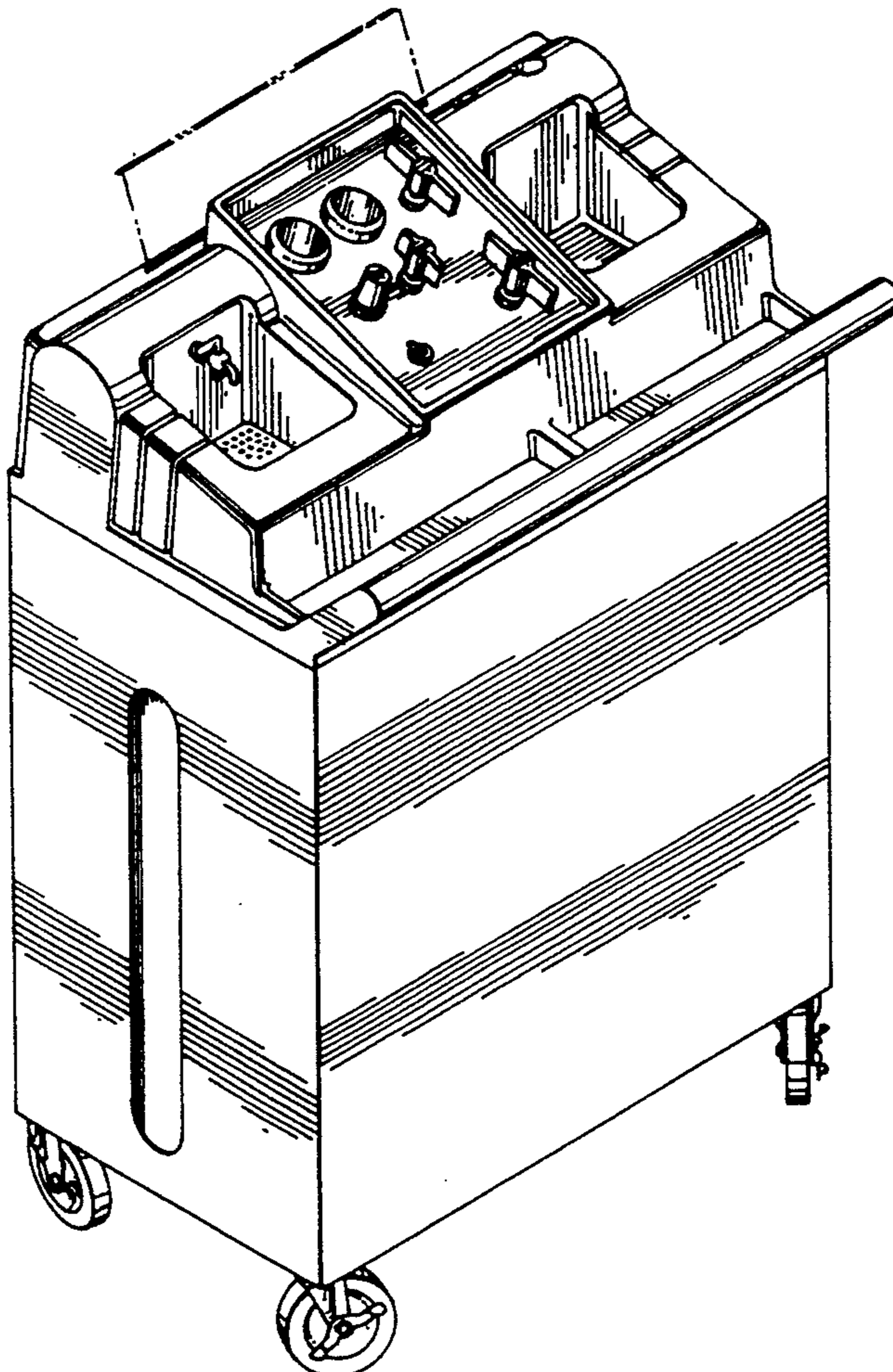
Primary Examiner—Wallace R. Burke
Assistant Examiner—M. H. Tung
Attorney, Agent, or Firm—Dorsey & Whitney

[57] **CLAIM**

The ornamental design for a console for fluid recycling, as shown.

DESCRIPTION

FIG. 1 is a left side, front perspective view of a recycling console showing our new design; FIG. 2 is a bottom plan view thereof; FIG. 3 is a top plan view thereof; FIG. 4 is a front elevational view thereof; FIG. 5 is a right side elevational view thereof; FIG. 6 is a left side elevational view thereof; and, FIG. 7 is a rear elevational view thereof. The broken line drawing of a pull-out instruction panel in FIGS. 1, 5,-7 is for illustrative purposes only and forms no part of the claimed design.



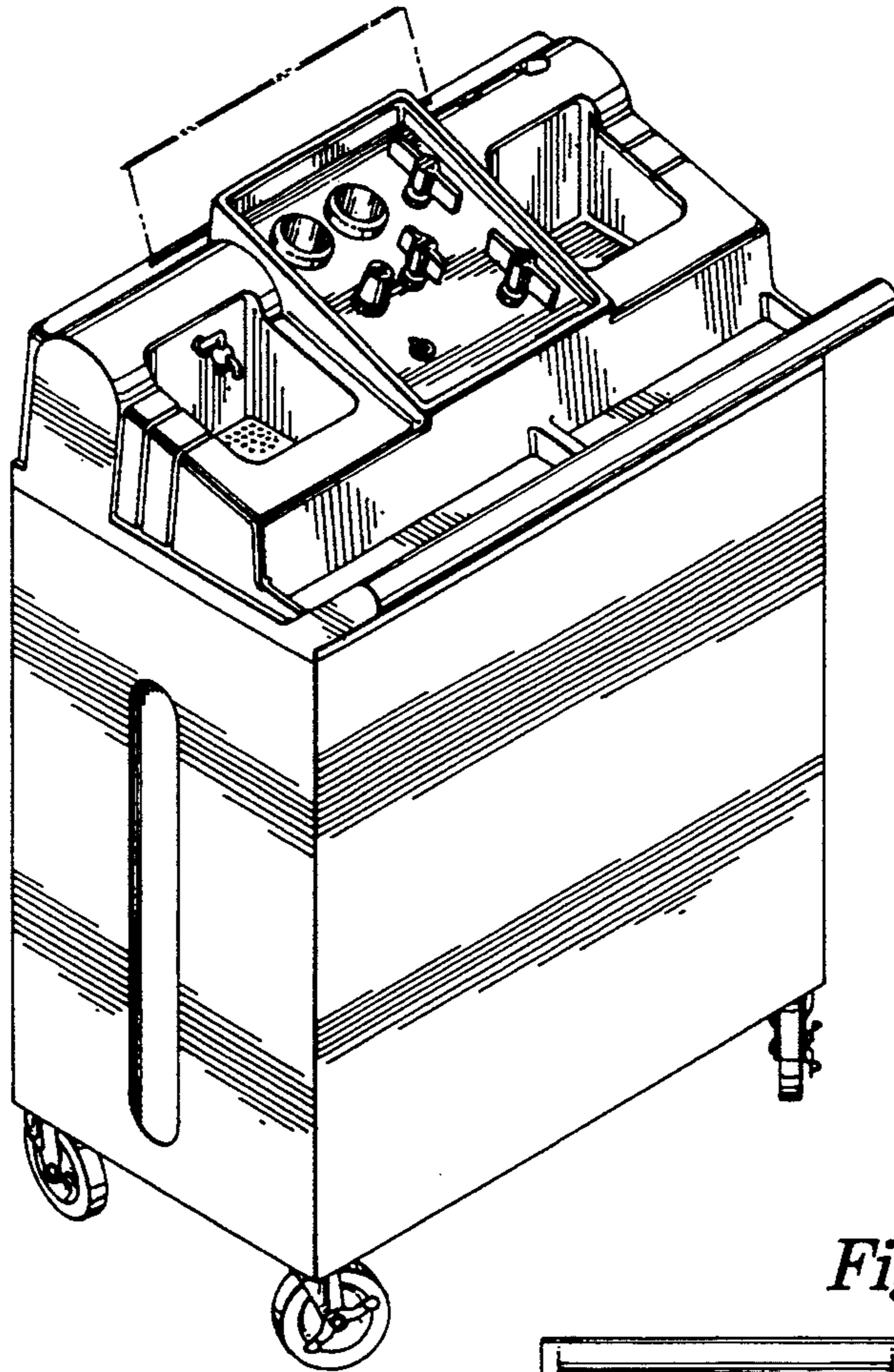


Fig. 2

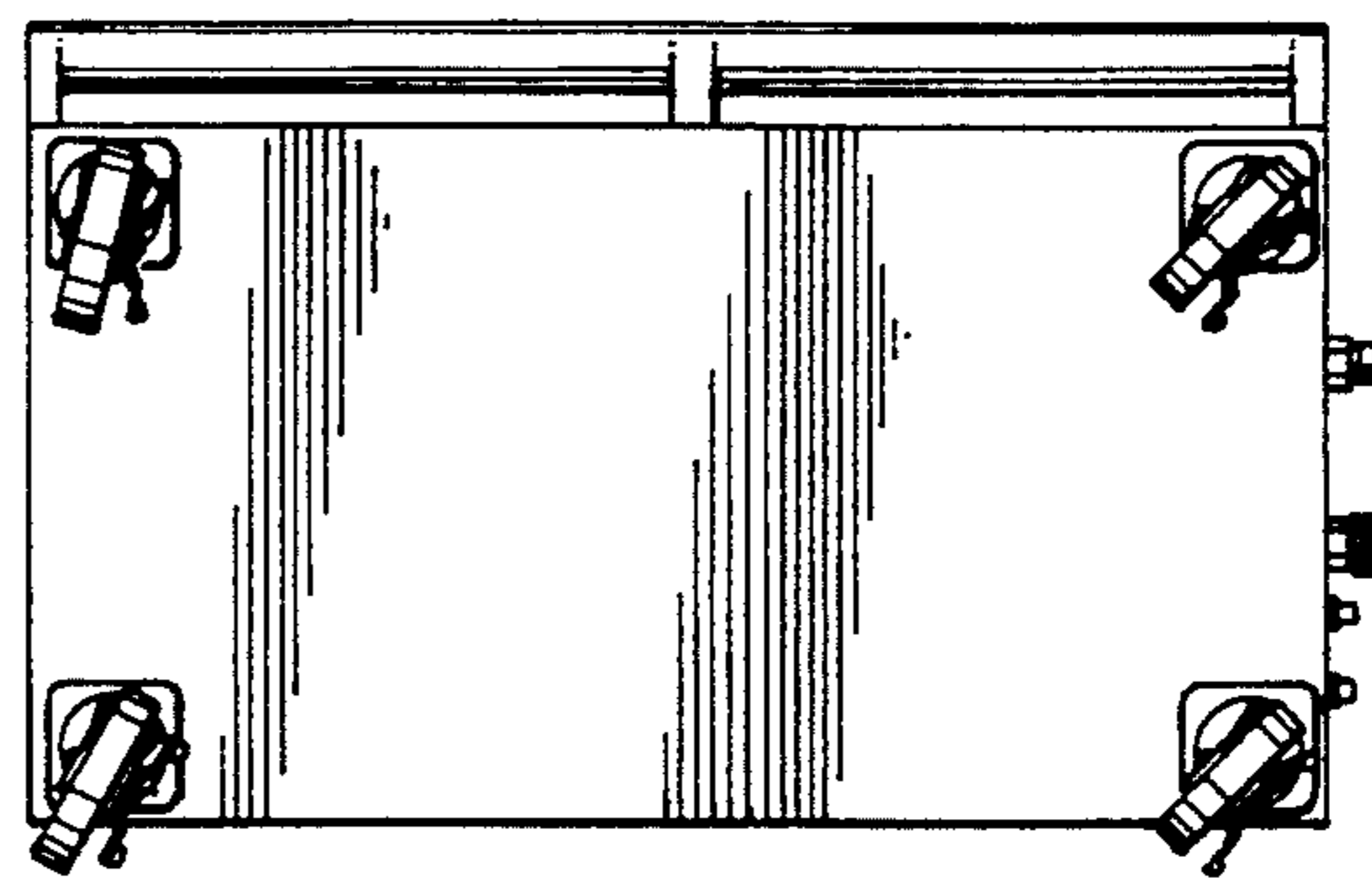
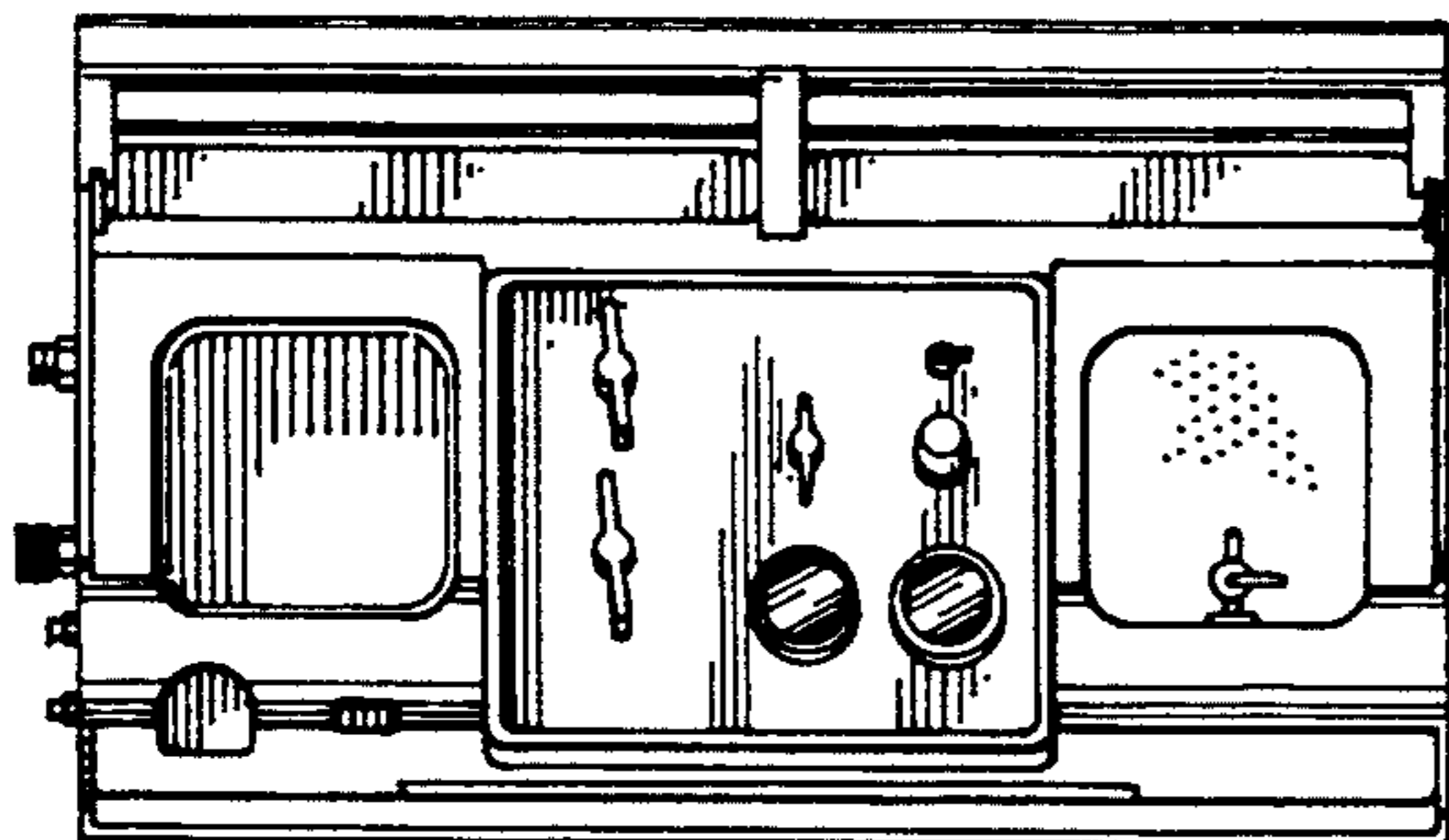


Fig. 3



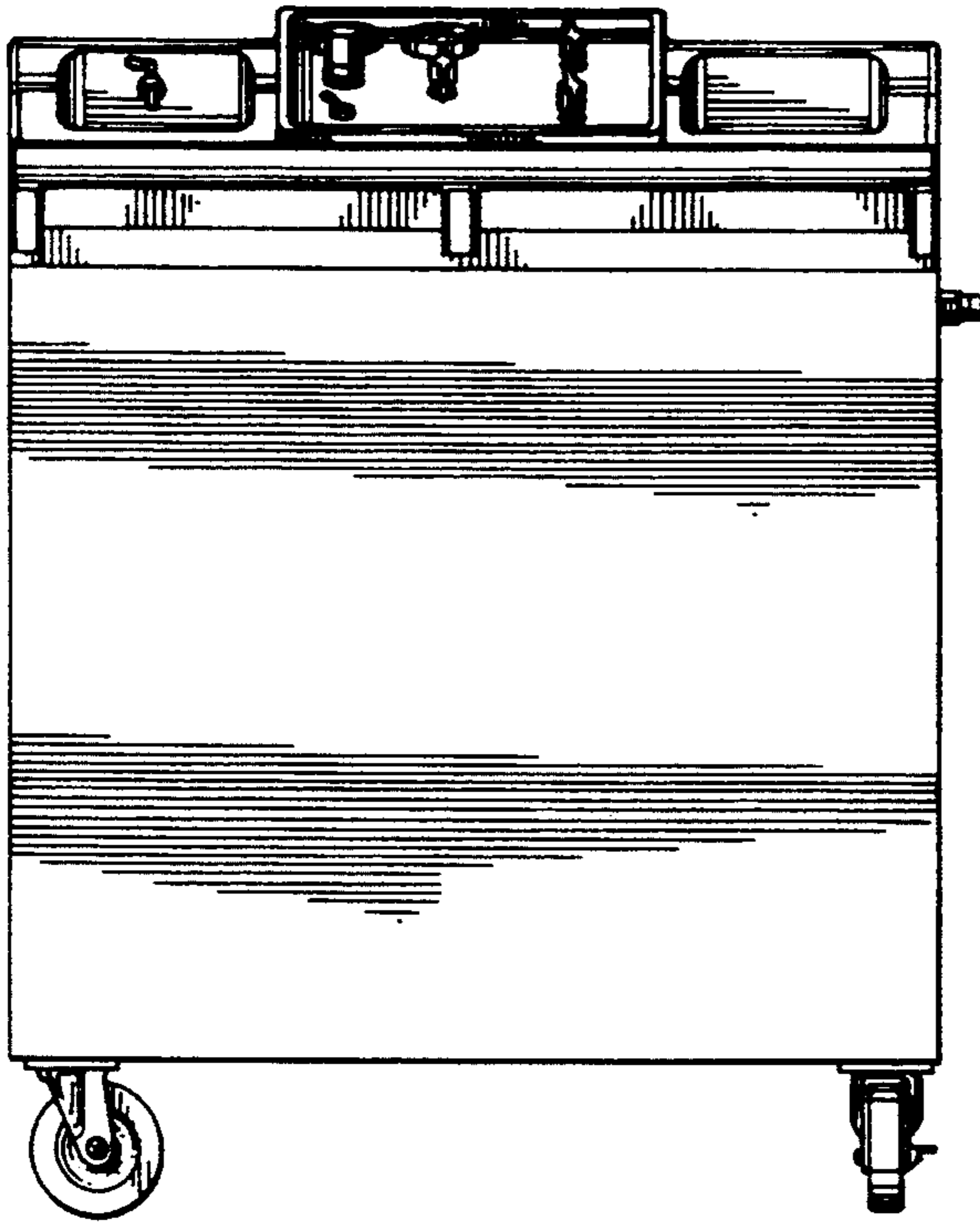


Fig. 4

Fig. 5

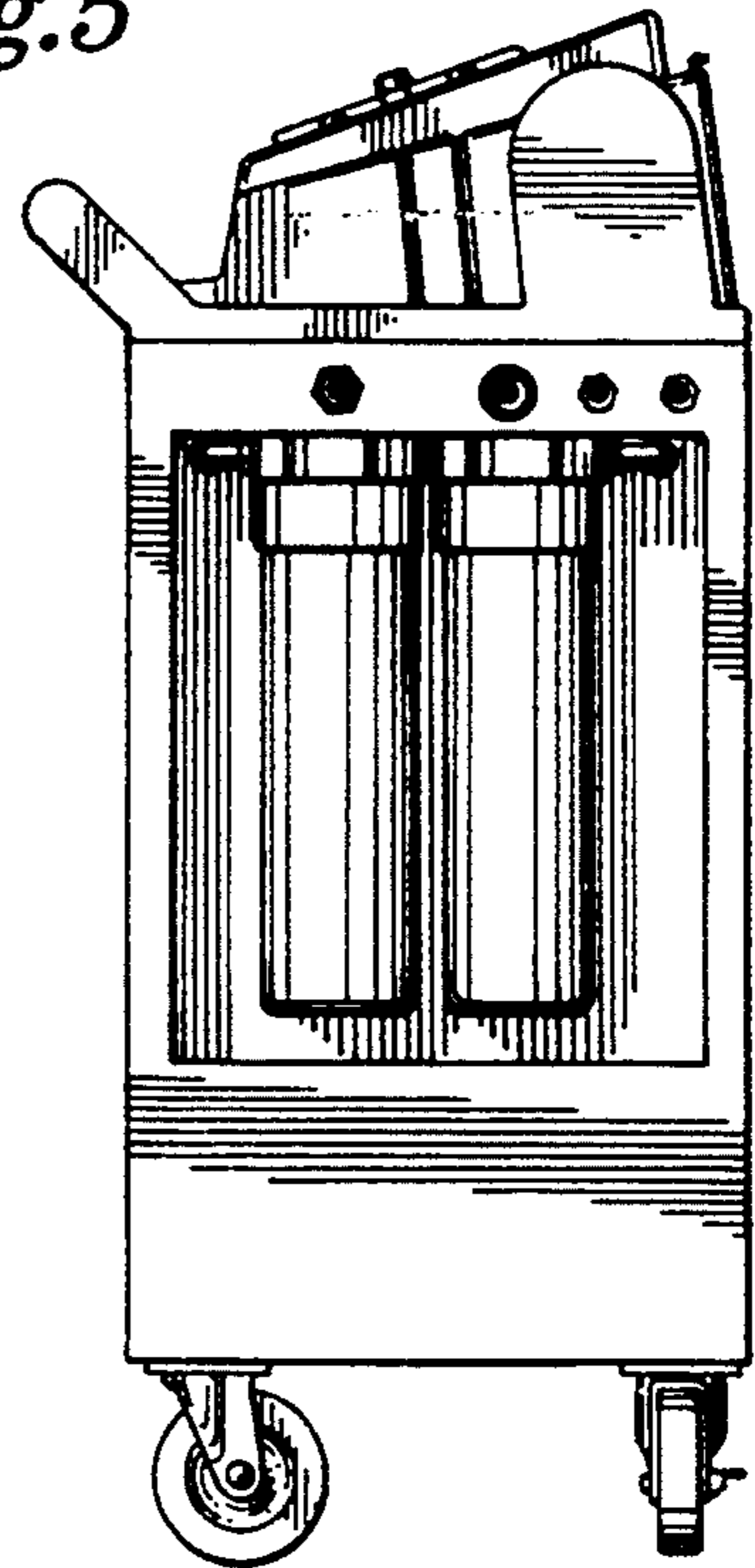


Fig. 6

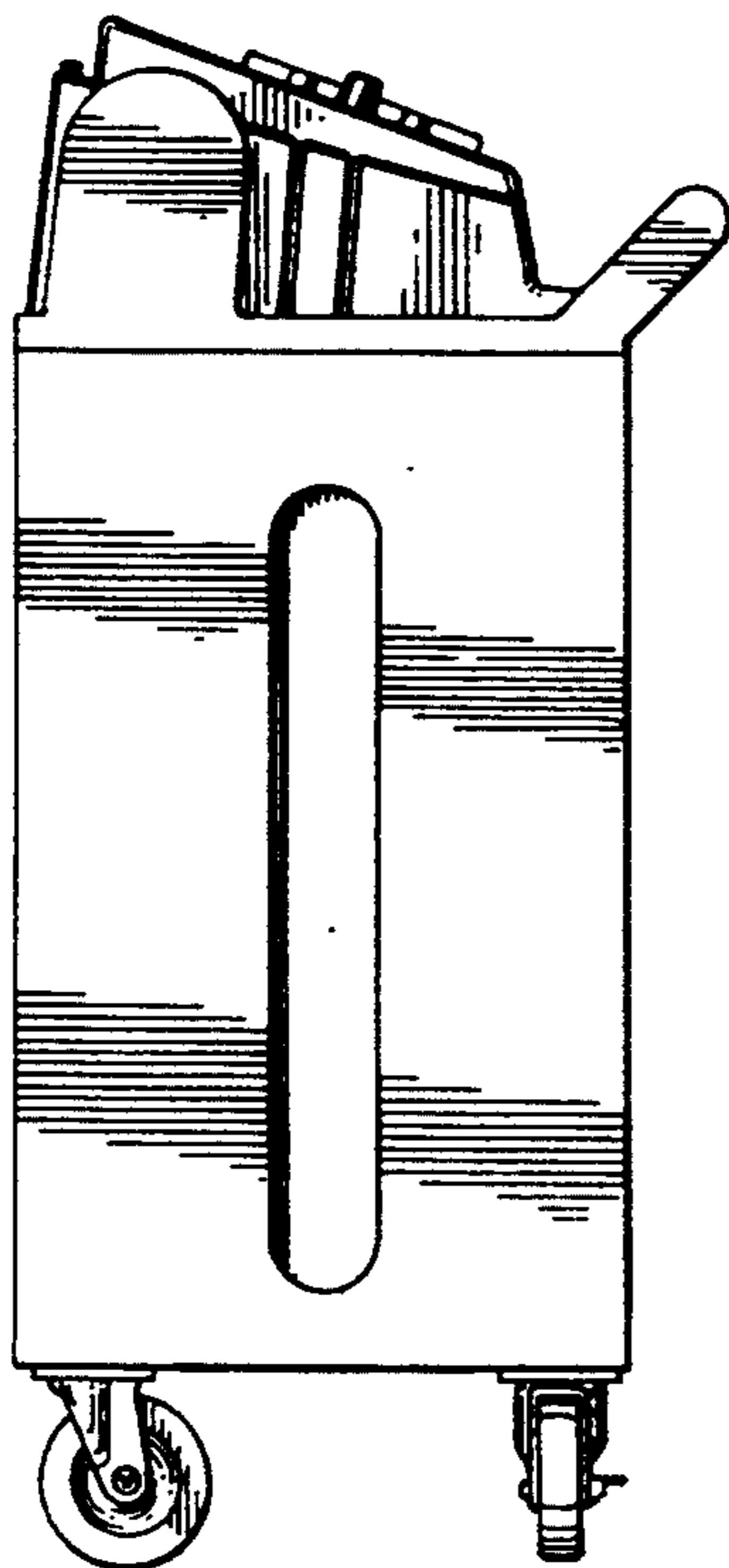


Fig. 7

