



US00D352089S

# United States Patent [19]

[11] Patent Number: **Des. 352,089**

Barber et al.

[45] Date of Patent: **\*\* Nov. 1, 1994**

[54] **PORTABLE MOUNT FOR FISHING POLES**

[76] Inventors: **Kerry R. Barber**, 2012 Golfview Ct.;  
**Debbie K. Morris**, 465 Fernanetina St., both of Fort Pierce, Fla. 34982

4,157,804	6/1979	Byford	.....	248/512
4,485,579	12/1984	Hawie	.....	248/512 X
4,603,500	8/1986	Harrison, Sr.	.....	248/538 X
4,650,146	3/1987	Duke	.....	248/512
4,658,533	4/1987	Mendoza	.....	43/21.2
4,871,099	10/1989	Bogar, Jr.	.....	248/512 X

[\*\*] Term: **14 Years**

*Primary Examiner*—A. Hugo Word  
*Assistant Examiner*—Doris V. Coles  
*Attorney, Agent, or Firm*—Rhodes & Ascolillo

[21] Appl. No.: **10,571**

[22] Filed: **Jul. 12, 1993**

[52] U.S. Cl. .... **D22/147**

[58] Field of Search ..... 43/21.2; 248/512, 513,  
248/514, 518, 515, 538; D22/147

[57] **CLAIM**

The ornamental design for a portable mount for fishing, as shown.

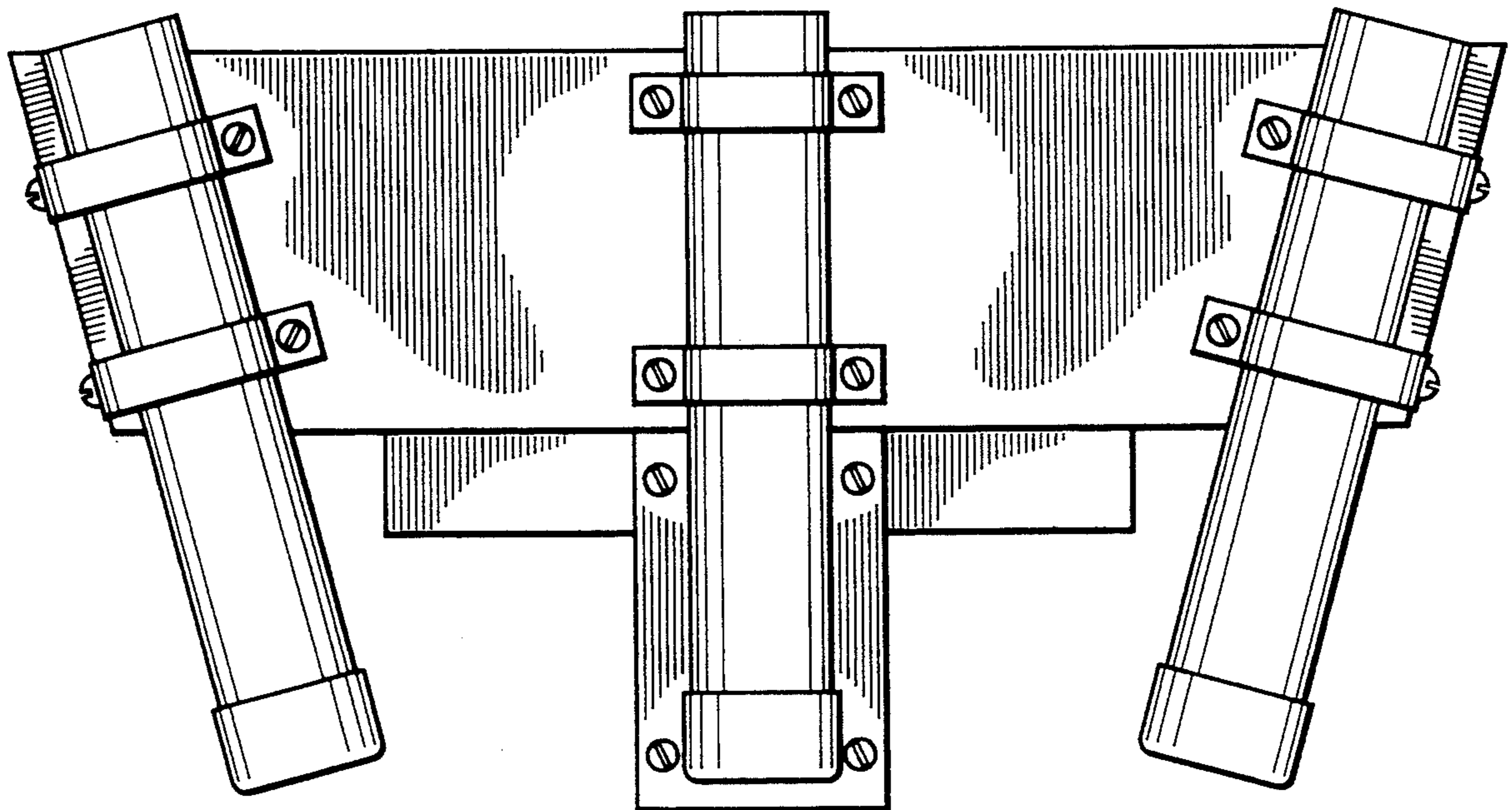
### DESCRIPTION

[56] **References Cited**

#### U.S. PATENT DOCUMENTS

D. 179,525	1/1957	Porter	.....	D22/147
D. 221,278	7/1971	Wright	.....	D22/147
D. 271,610	11/1983	Ummis	.....	D22/147
3,713,131	1/1973	Marshall	.....	43/21.2 X

FIG. 1 is a front elevational view;  
FIG. 2 is rear elevational view;  
FIG. 3 is a top plan view;  
FIG. 4 is a bottom plan view;  
FIG. 5 right side elevational view; and,  
FIG. 6 is a left side elevational view.



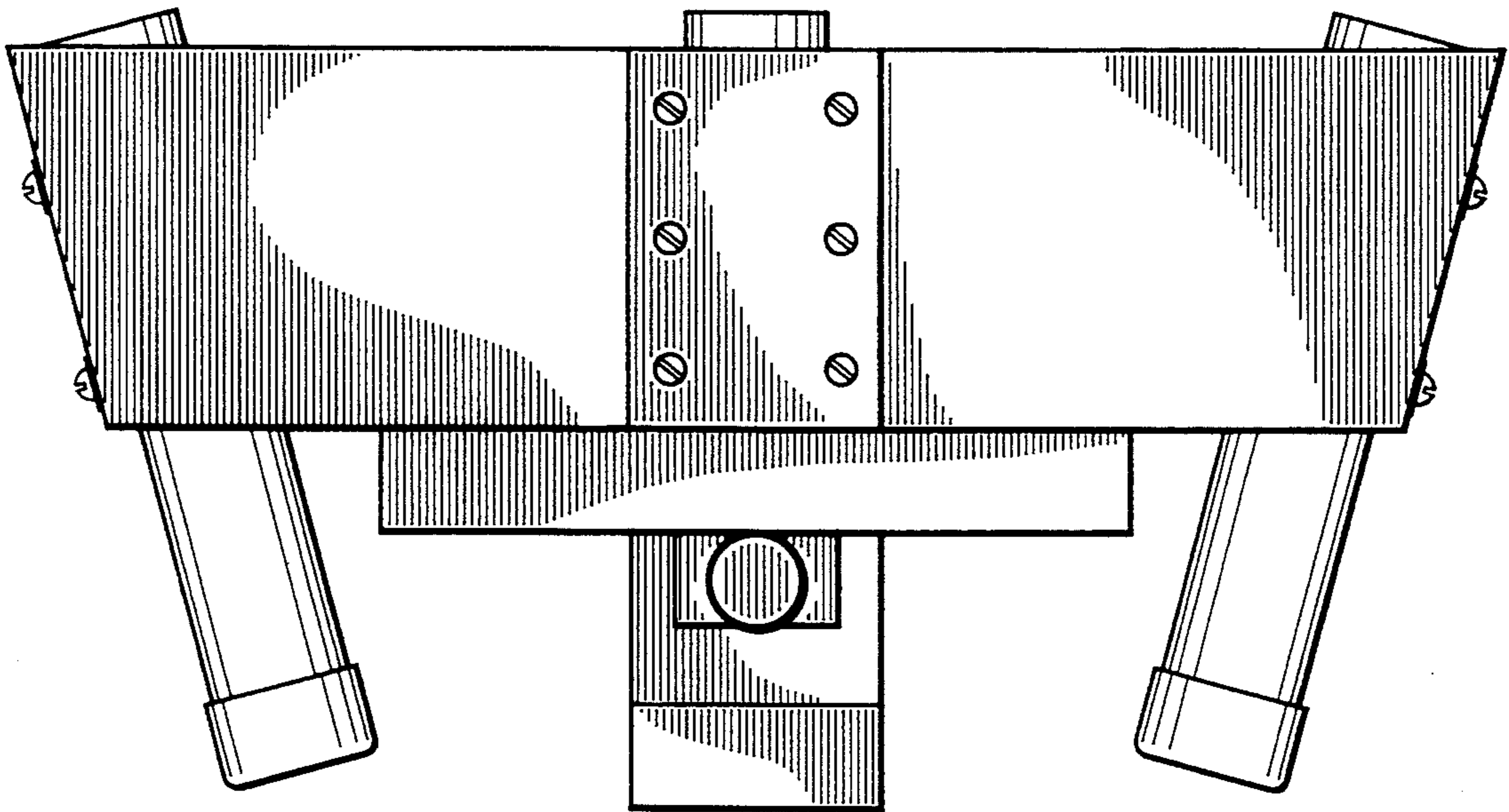


FIG. 1

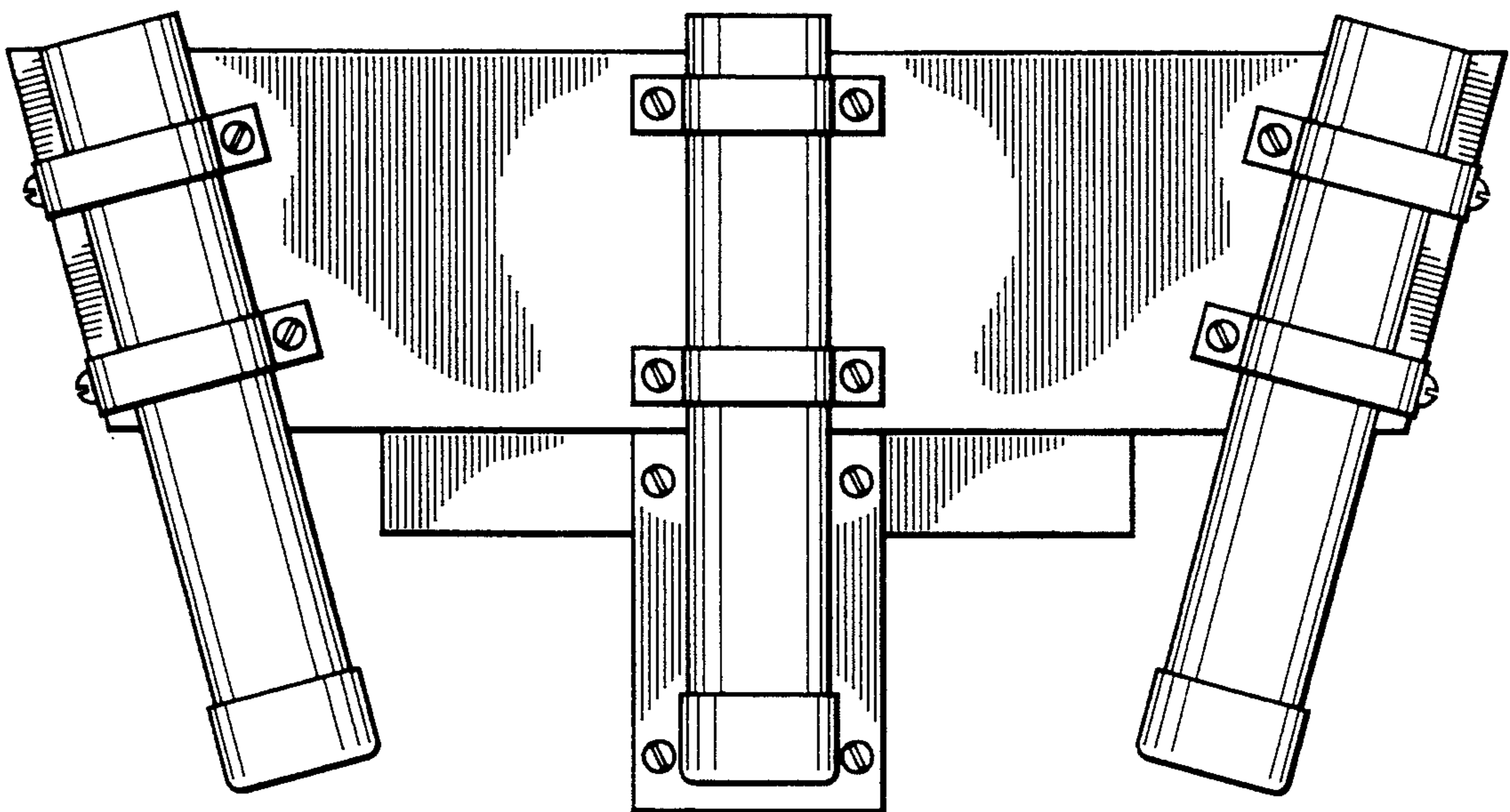


FIG. 2

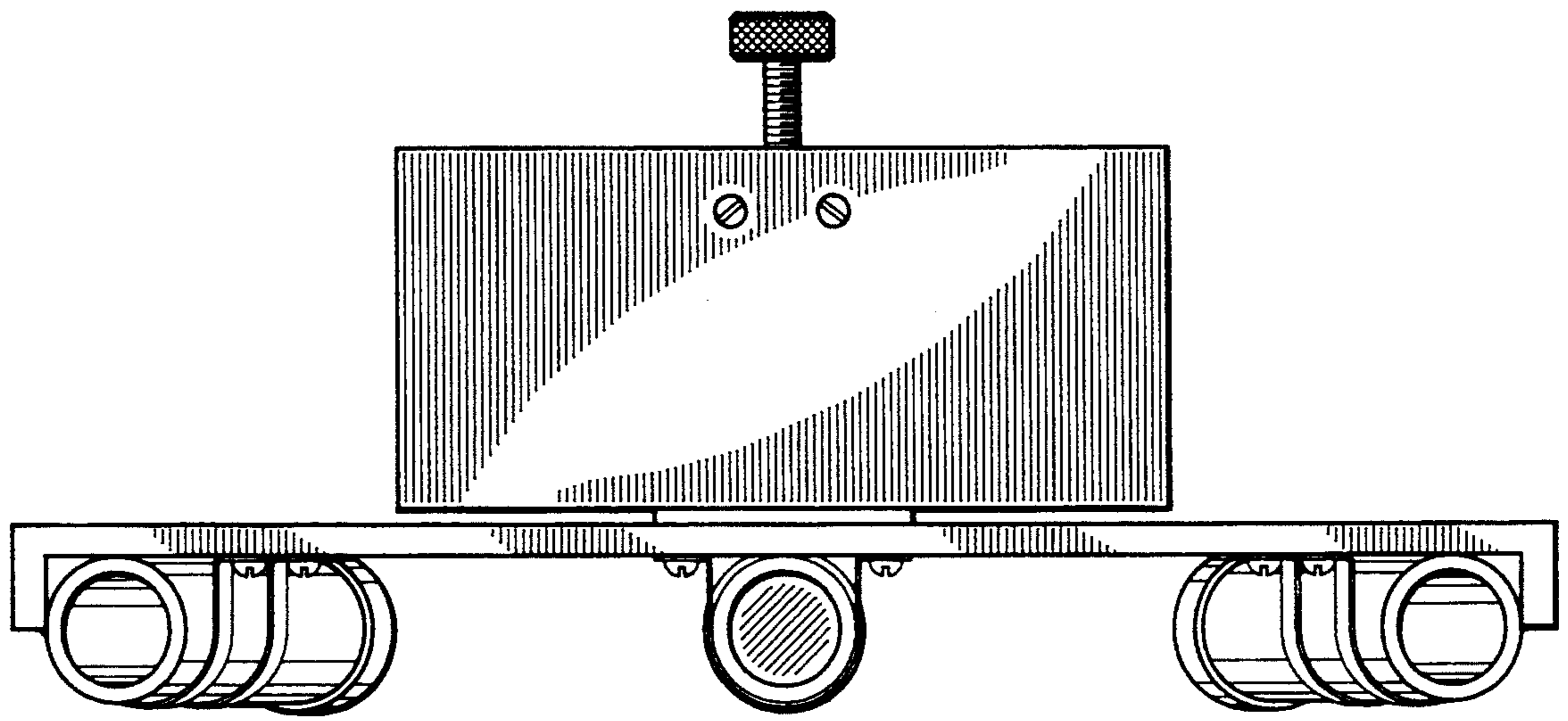


FIG. 3

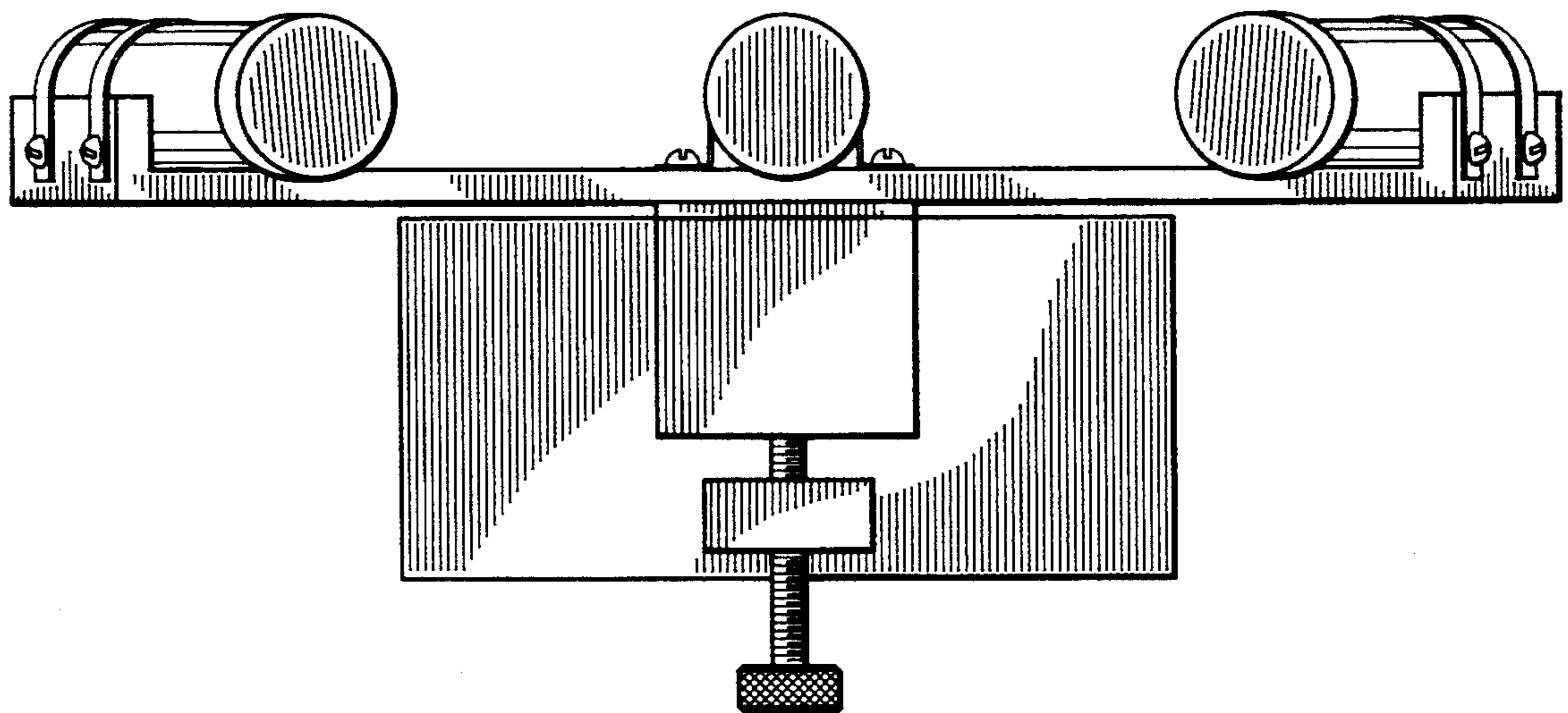


FIG. 4

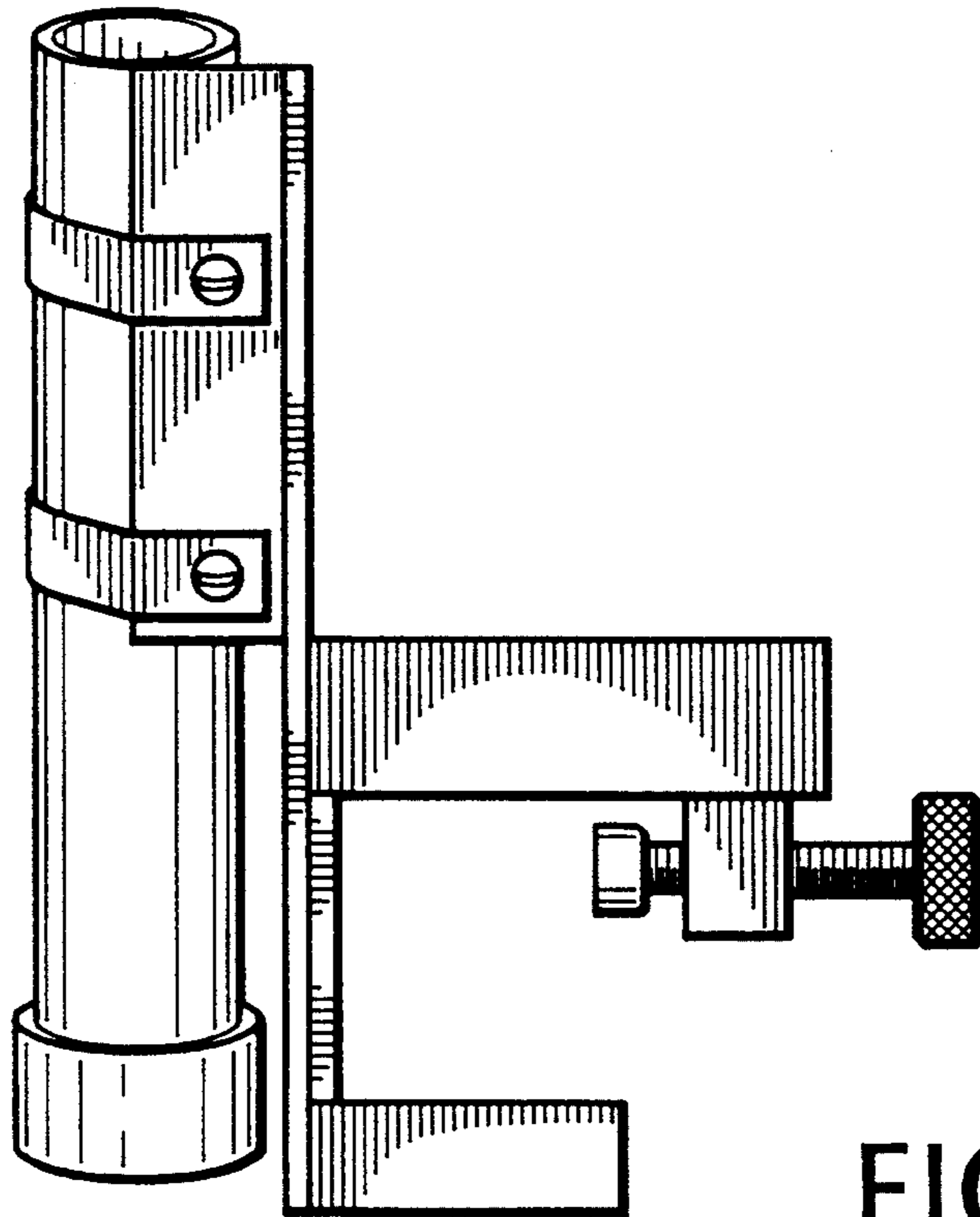


FIG. 5

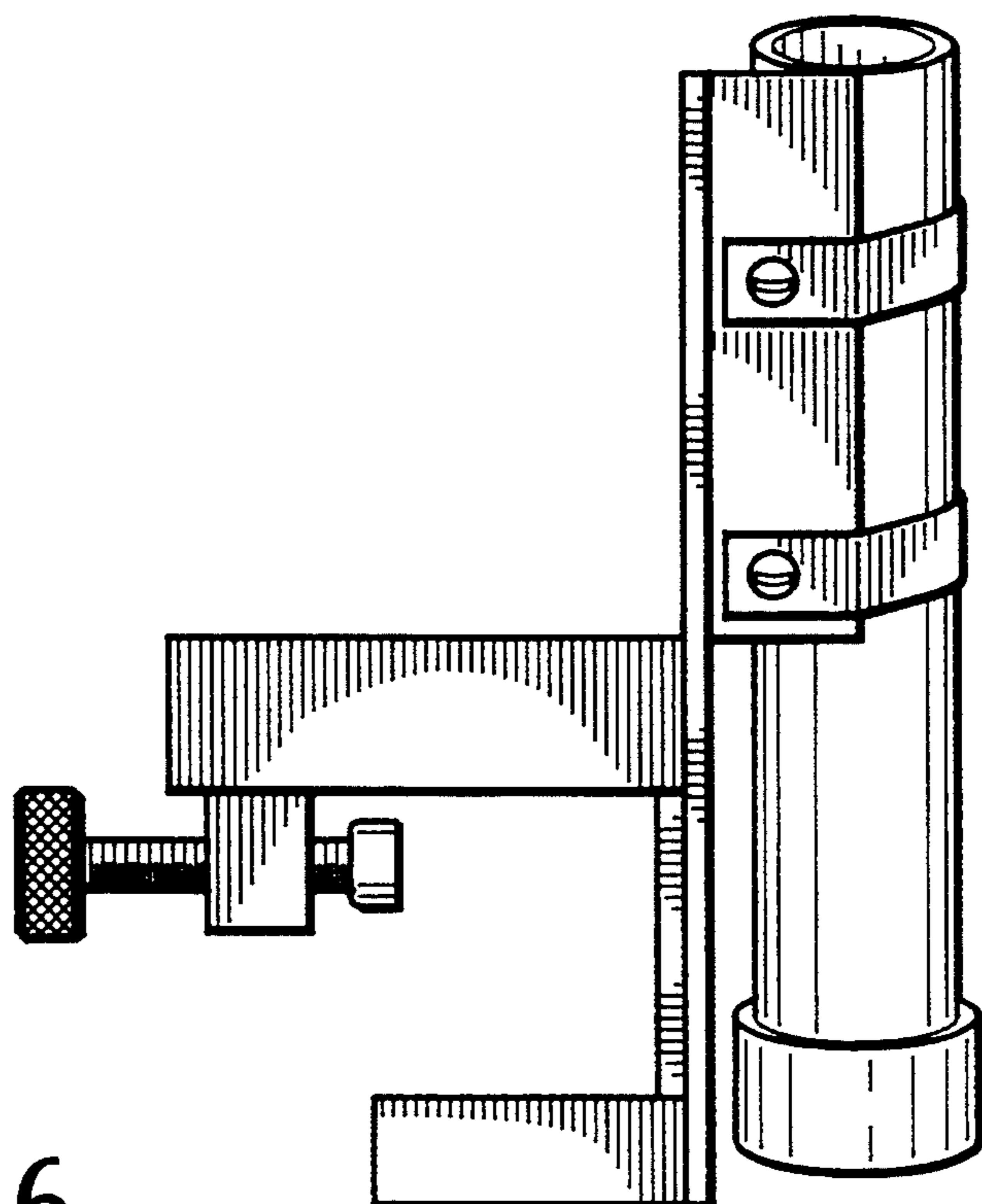


FIG. 6