



US00D352088S

United States Patent [19]

[11] Patent Number: Des. 352,088

Dillon

[45] Date of Patent: ** Nov. 1, 1994

[54] **ILLUMINATED FISHING POLE**

[76] Inventor: **Louise B. Dillon**, 85 Poplar St.,
Fieldale, Va. 24089

[**] Term: **14 Years**

[21] Appl. No.: **6,695**

[22] Filed: **Apr. 5, 1993**

[52] U.S. Cl. **D22/139**

[58] Field of Search 43/17.5, 20, 22, 23,
43/18.1, 18.5; D22/142, 139

[56] **References Cited**

U.S. PATENT DOCUMENTS

- D. 258,976 4/1981 Morishita D22/142
- D. 261,411 10/1981 Doi et al. D22/142
- 4,130,960 12/1978 Fontenot 43/18.1

FOREIGN PATENT DOCUMENTS

- 2196222 4/1988 United Kingdom D22/42

Primary Examiner—A. Hugo Word
Assistant Examiner—Doris V. Coles
Attorney, Agent, or Firm—Hugh E. Smith

[57] **CLAIM**

The ornamental design for a illuminated fishing pole, as shown and described.

DESCRIPTION

FIG. 1 is a front elevational view of the illuminated fishing pole showing my new design; FIG. 2 is a rear elevational view thereof; FIG. 3 is a left side elevational view thereof; FIG. 4 is a right side elevational view thereof; FIG. 5 is a top plan view thereof; FIG. 6 is a bottom plan view thereof; FIG. 7 is an isometric view thereof; FIG. 8 is an enlarged perspective view of the end of the rod, the remainder of the rod and handle having been cut away for the convenience of illustration; and, FIG. 9 is an elevational view thereof.



FIG. 1

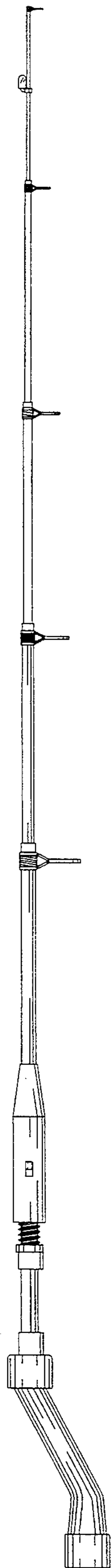


FIG. 2

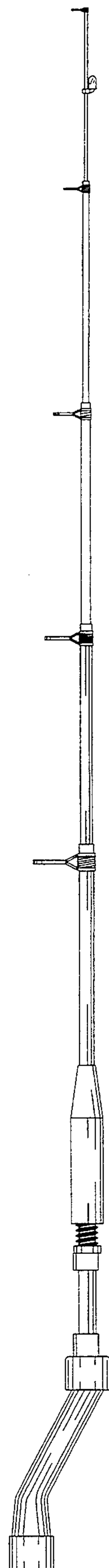


FIG. 3

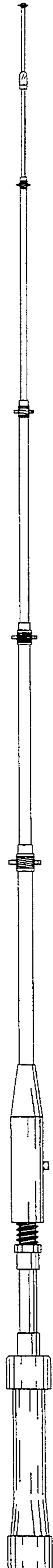


FIG. 4

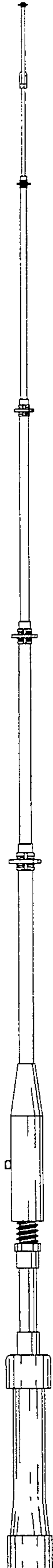


FIG. 5

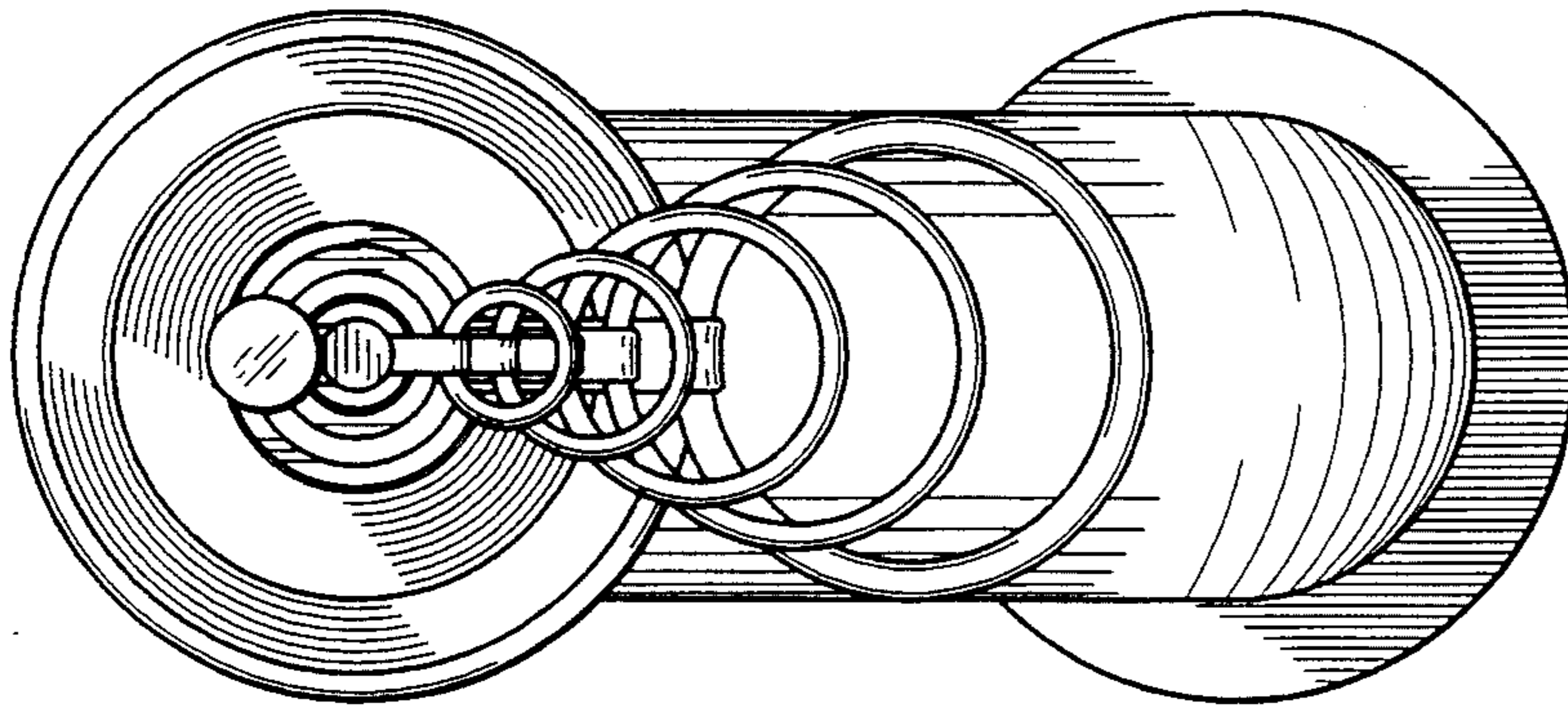


FIG. 6

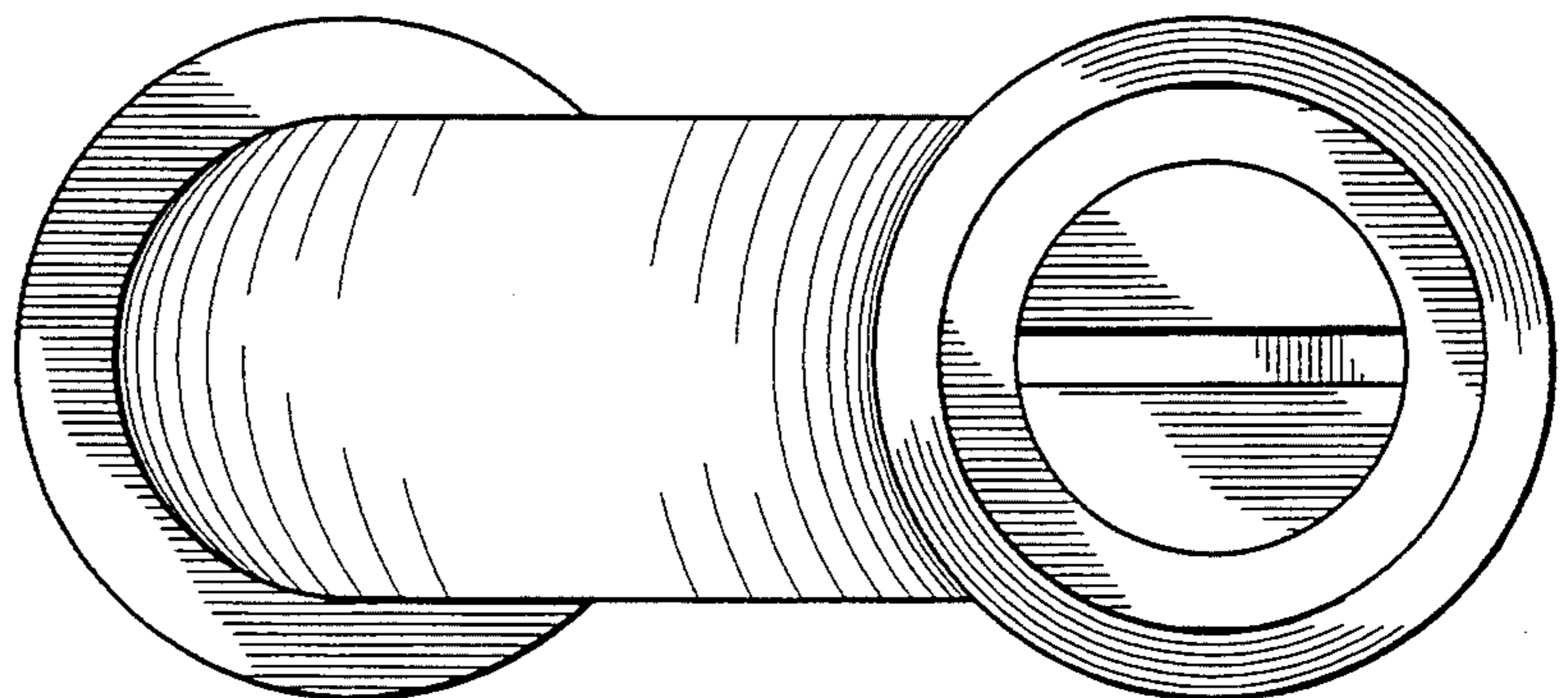


FIG. 7



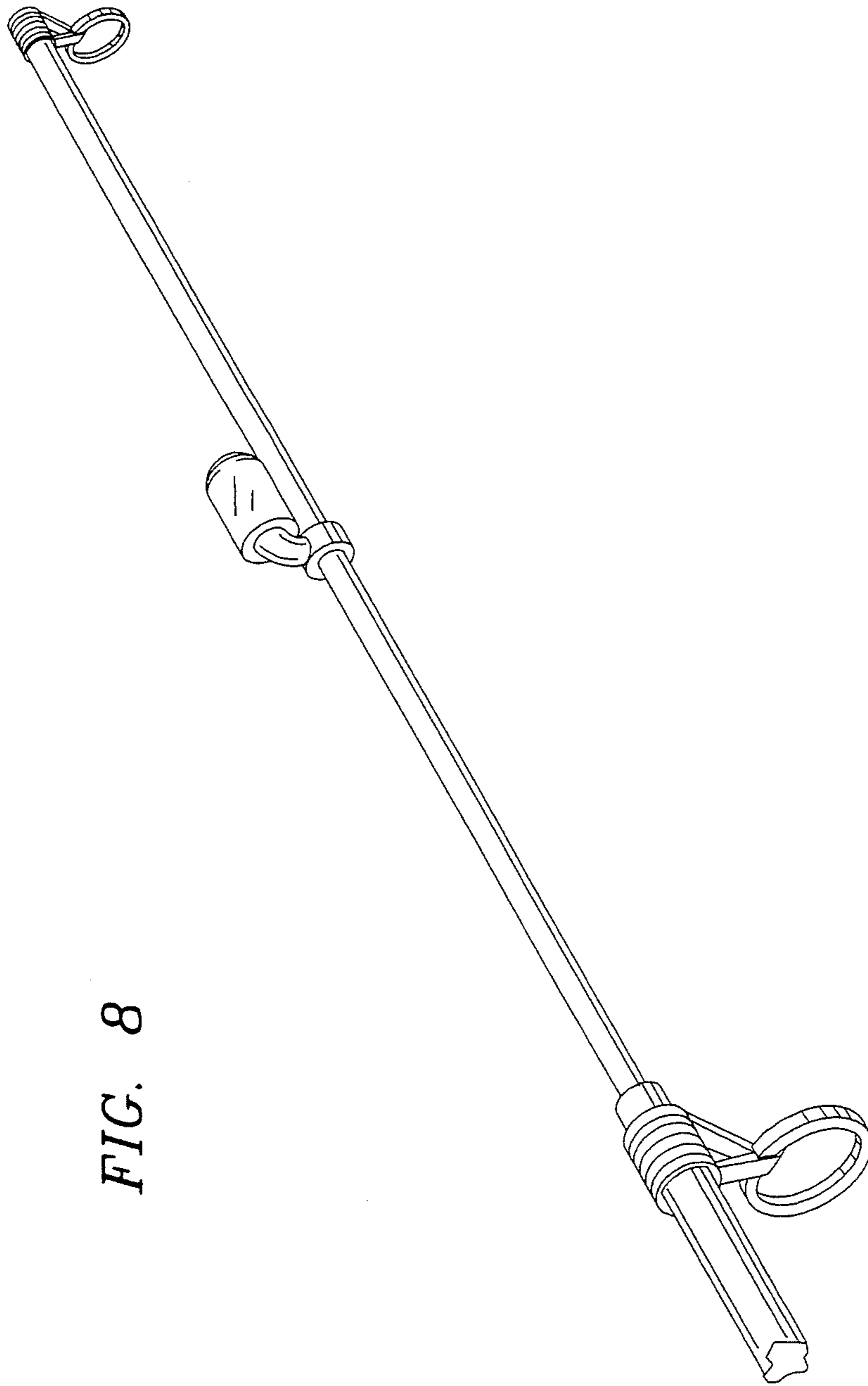


FIG. 8

FIG. 9

