



US00D352084S

# United States Patent [19]

[11] Patent Number: **Des. 352,084**

**Katje et al.**

[45] Date of Patent: **\*\* Nov. 1, 1994**

[54] **PANEL ASSEMBLY FOR BOWLING LANES**

[75] Inventors: **Michael J. Katje**, Spring Lake;  
**William C. Murphy**, Fremont;  
**Michael F. Stirling**, Spring Lake, all  
of Mich.

[73] Assignee: **Brunswick Bowling & Billiards Corp.**,  
Muskegon, Mich.

[\*\*] Term: **14 Years**

[21] Appl. No.: **3,412**

[22] Filed: **Jan. 11, 1993**

[52] U.S. Cl. .... **D21/233; D25/138**

[58] Field of Search ..... **52/474, 478, 506, 236.4,**  
**52/235, 243.1; 273/67, 114-118 A, 85, 73, 54;**  
**D25/138; D21/233**

[56] **References Cited**

**U.S. PATENT DOCUMENTS**

D. 165,961	2/1952	Breitenstein	.....	D21/233
2,095,072	10/1937	Ludden	.....	52/474
3,738,656	6/1973	Lazar et al.	.....	273/54 R
4,339,129	7/1982	Gautraud	.....	273/54 R
4,805,783	2/1989	Mayer	.....	D25/119
5,171,013	12/1992	Dooley	.....	273/118 A

*Primary Examiner*—A. Hugo Word  
*Assistant Examiner*—Doris Clark  
*Attorney, Agent, or Firm*—Wood, Phillips, VanSanten,  
Hoffman & Ertel

[57] **CLAIM**

The ornamental design for a panel assembly for bowling lanes, as shown and described.

**DESCRIPTION**

FIG. 1 is a perspective view taken from the front, above and to the right of a panel assembly for bowling lanes of the invention;

FIG. 2 is a front view of the panel assembly for bowling lanes of FIG. 1;

FIG. 3 is a left side view of the panel assembly for bowling lanes of FIG. 1;

FIG. 4 is a right side view of the panel assembly for bowling lanes of FIG. 1;

FIG. 5 is a back view of the panel assembly for bowling lanes of FIG. 1; and,

FIG. 6 is a top view of the panel assembly for bowling lanes of FIG. 1.

The broken lines showing vertical supports are for illustrative purposes only, and form no part of the claimed design.

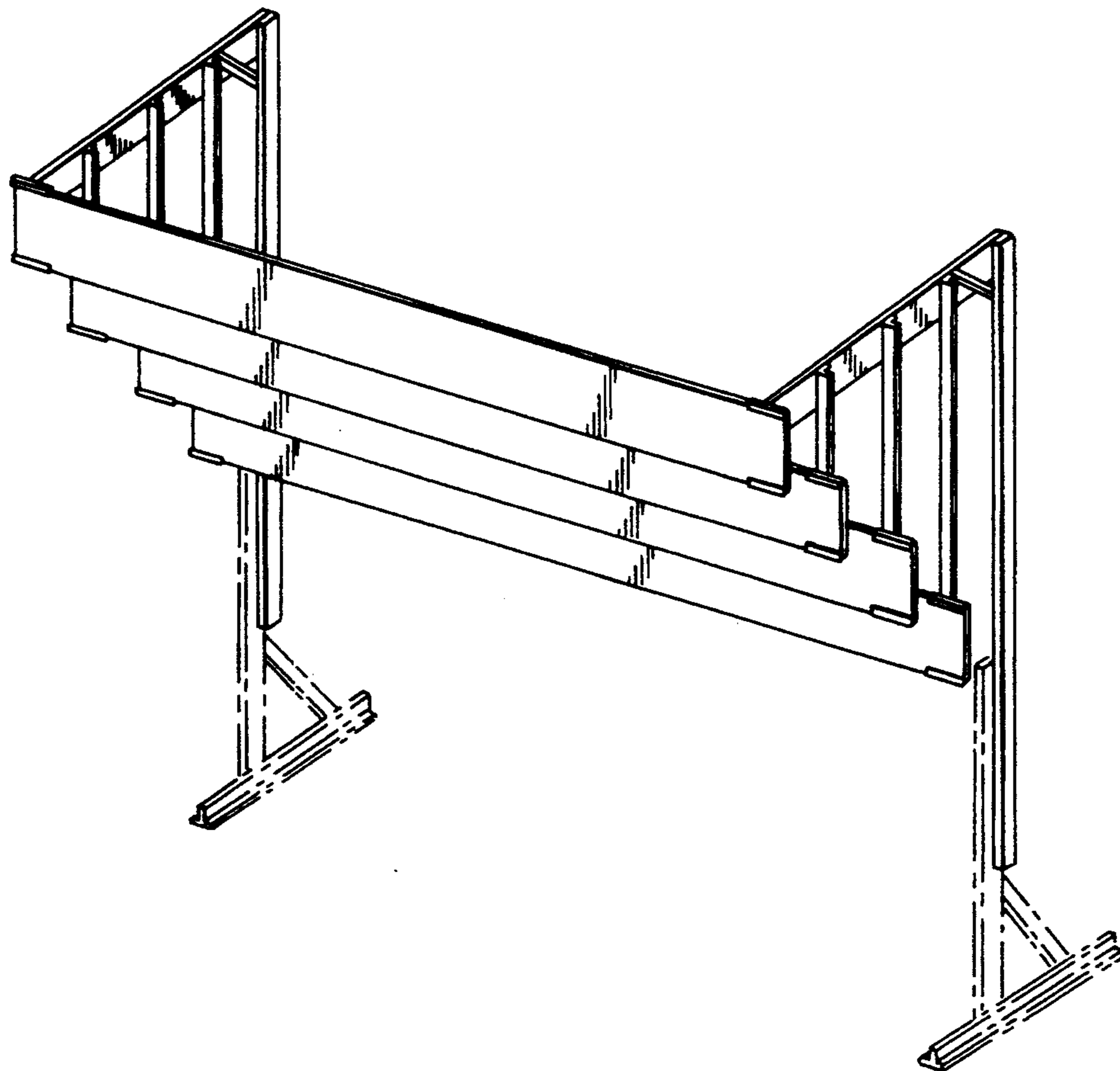


FIG. 1

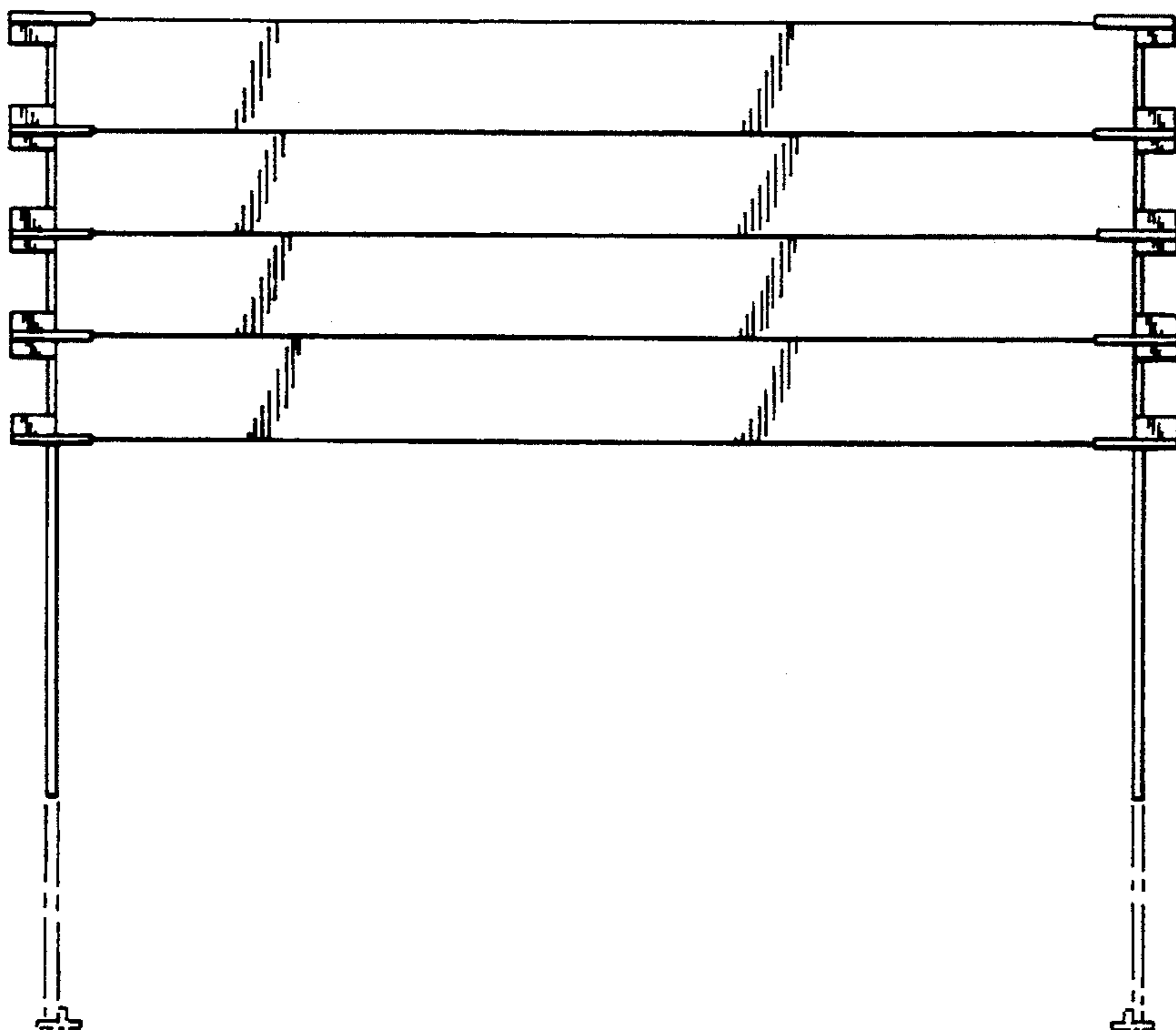
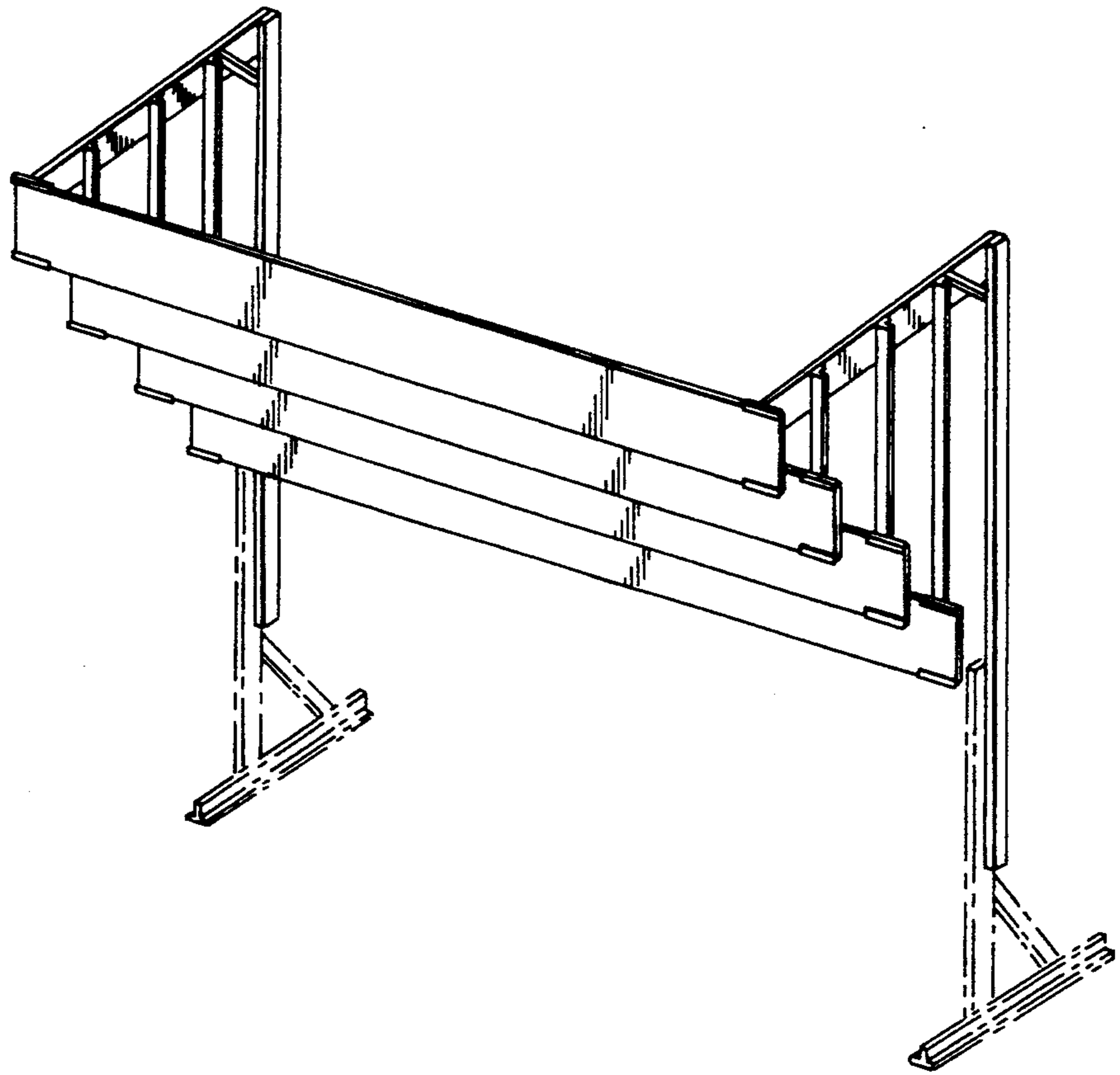


FIG. 2

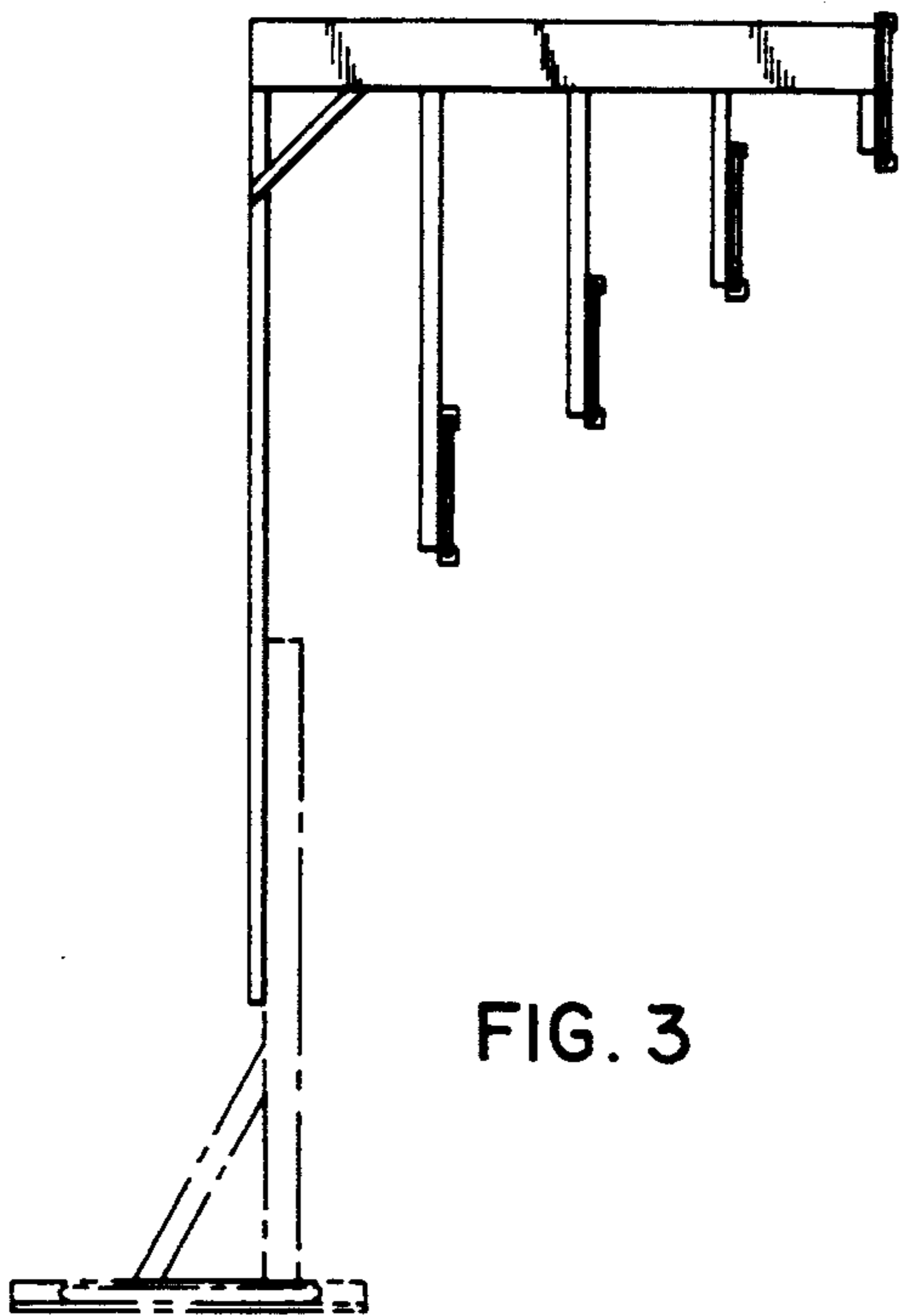


FIG. 3

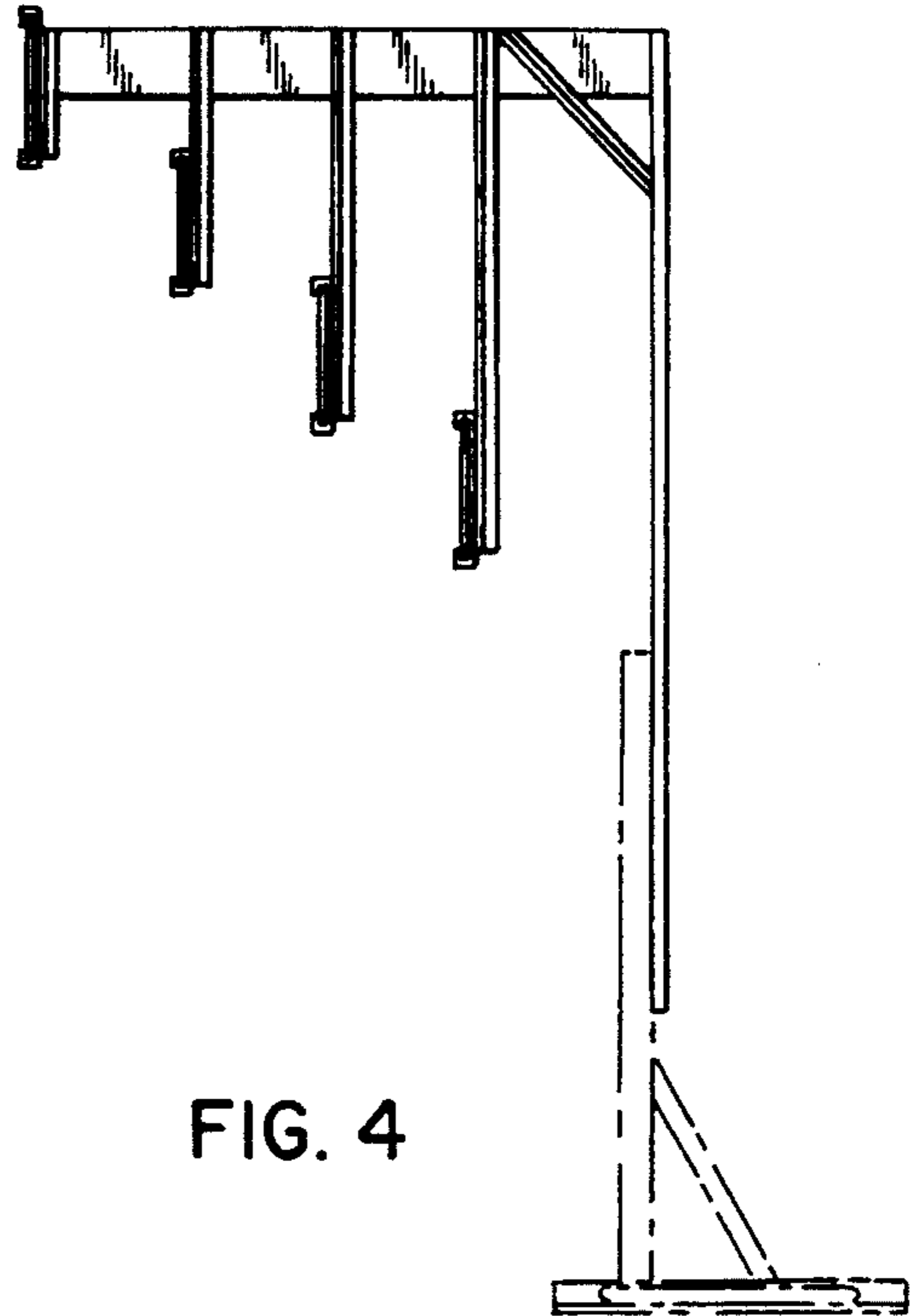


FIG. 4

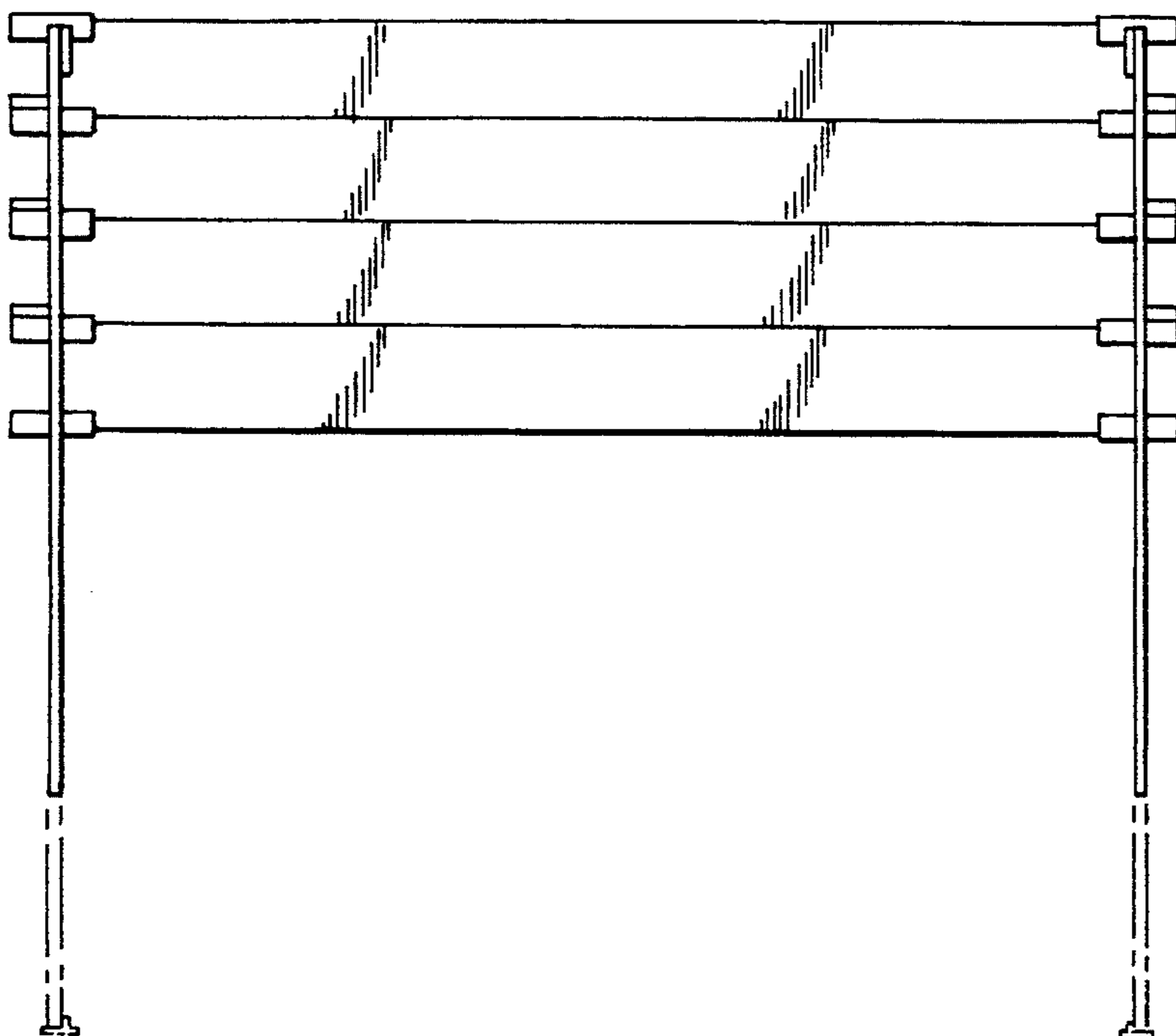


FIG. 5

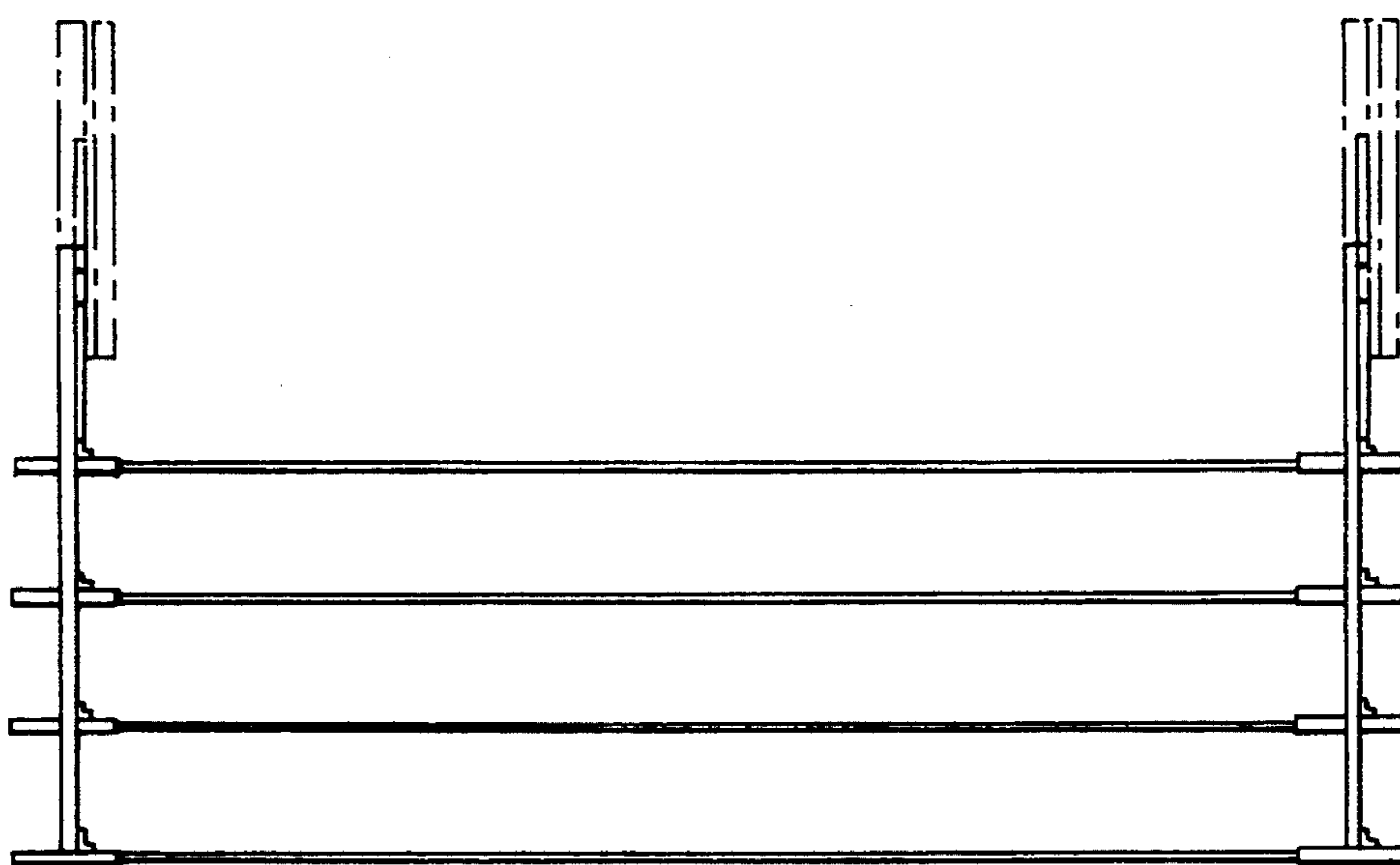


FIG. 6