



US00D352076S

United States Patent [19]

[11] Patent Number: **Des. 352,076**

Cheung

[45] Date of Patent: **** Nov. 1, 1994**

[54] **TOY TRICYCLE**

[75] Inventor: **Wing K. Cheung, Kowloon, Hong Kong**

[73] Assignee: **Wang Shing Plastic Factory Limited, Kowloon, Hong Kong**

[**] Term: **14 Years**

[21] Appl. No.: **9,493**

[22] Filed: **Jun. 15, 1993**

[30] **Foreign Application Priority Data**

Feb. 17, 1993 [GB] United Kingdom 2029189

[52] U.S. Cl. **D21/80; D12/112**

[58] Field of Search 446/29, 93-94, 446/96, 128, 211, 434, 451, 468; 280/87.01, 87.021, 47.38, 1.206, 1.207, 1.23, 1.13, 281.1, 282; D21/71, 74, 76, 78, 80, 128, 133-137, 140, 141, 148; D12/112

[56] **References Cited**

U.S. PATENT DOCUMENTS

D. 254,262 2/1980 Swearingen D21/76

D. 276,251 11/1984 Wakimura D21/134
D. 289,272 4/1987 Phinney D12/112
D. 300,619 4/1989 Phinney D12/112
D. 337,973 8/1993 Mariol D12/112
4,079,957 3/1978 Blease 280/282

OTHER PUBLICATIONS

Tomy Toy Catalog, 1984, No. 5016, p. 58.

Primary Examiner—Bernard Ansher

Assistant Examiner—R. Barkai

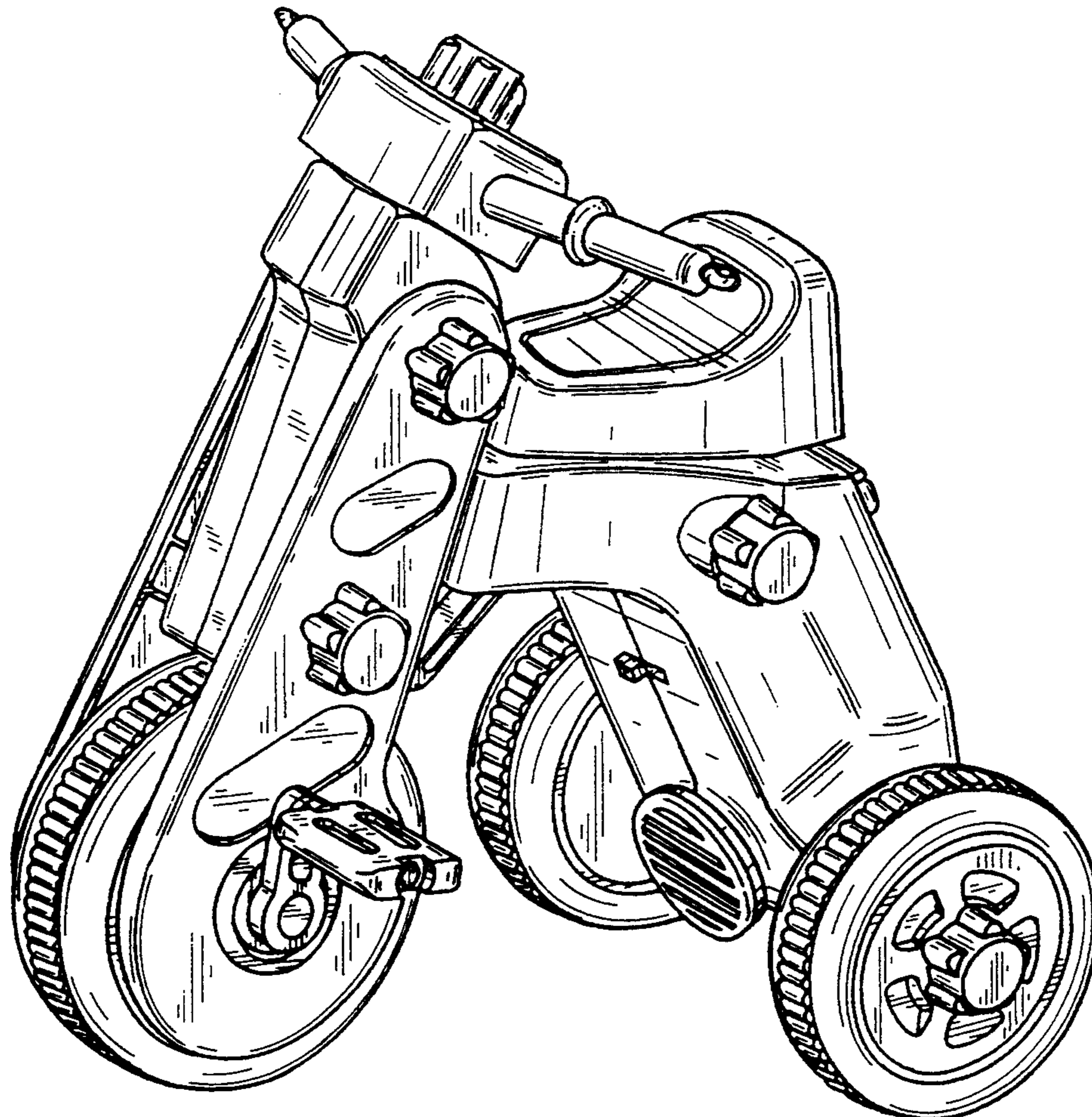
Attorney, Agent, or Firm—Leydig, Voit & Mayer

[57] **CLAIM**

The ornamental design for a toy tricycle, as shown and described.

DESCRIPTION

FIG. 1 is a front and left side perspective view of a toy tricycle showing my new design;
FIG. 2 is a right side elevational view thereof;
FIG. 3 is a left side elevational view thereof;
FIG. 4 is a front elevational view thereof;
FIG. 5 is a rear elevational view thereof;
FIG. 6 is a top plan view thereof; and,
FIG. 7 is a bottom plan view thereof.



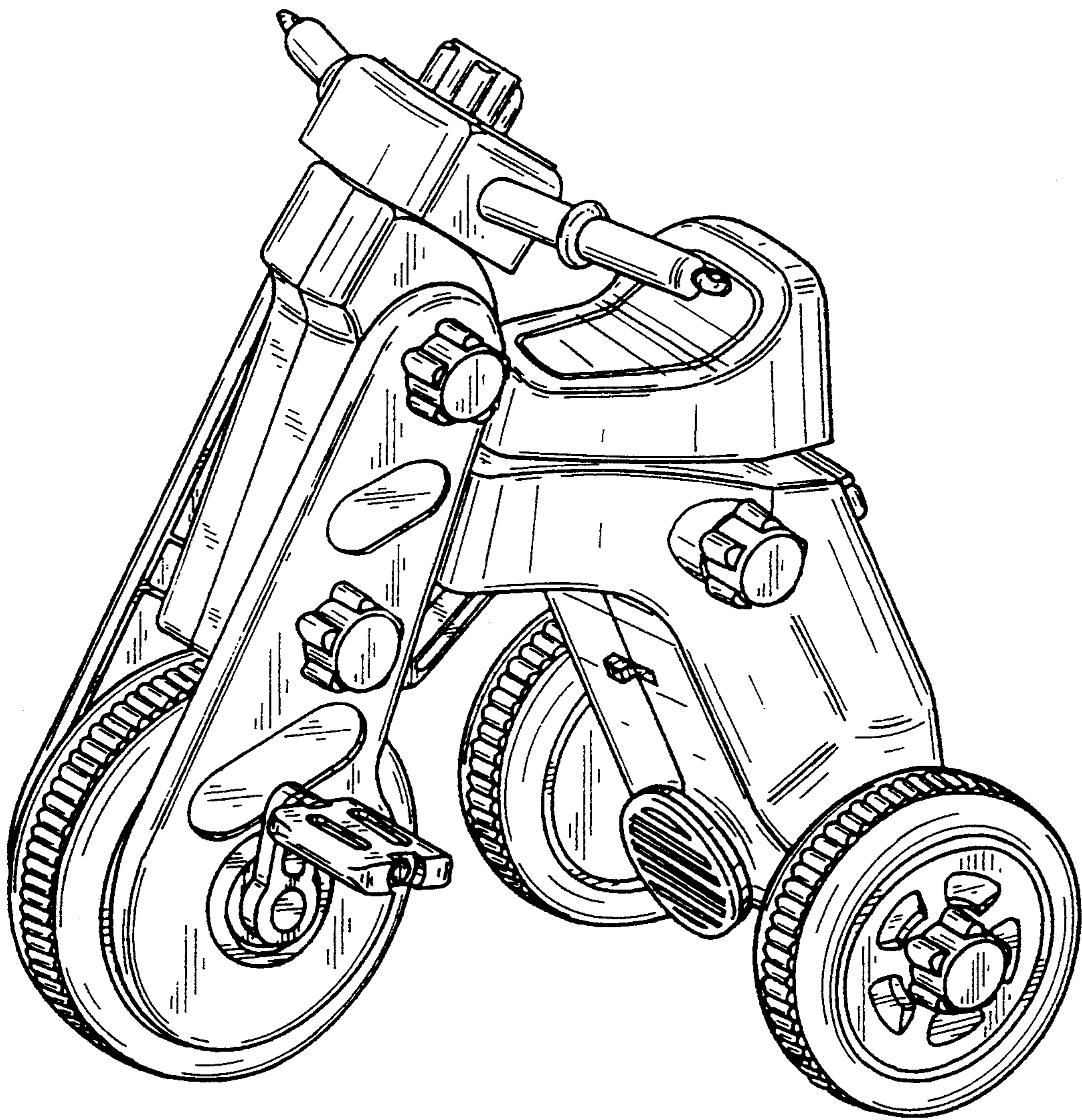


FIG. 1

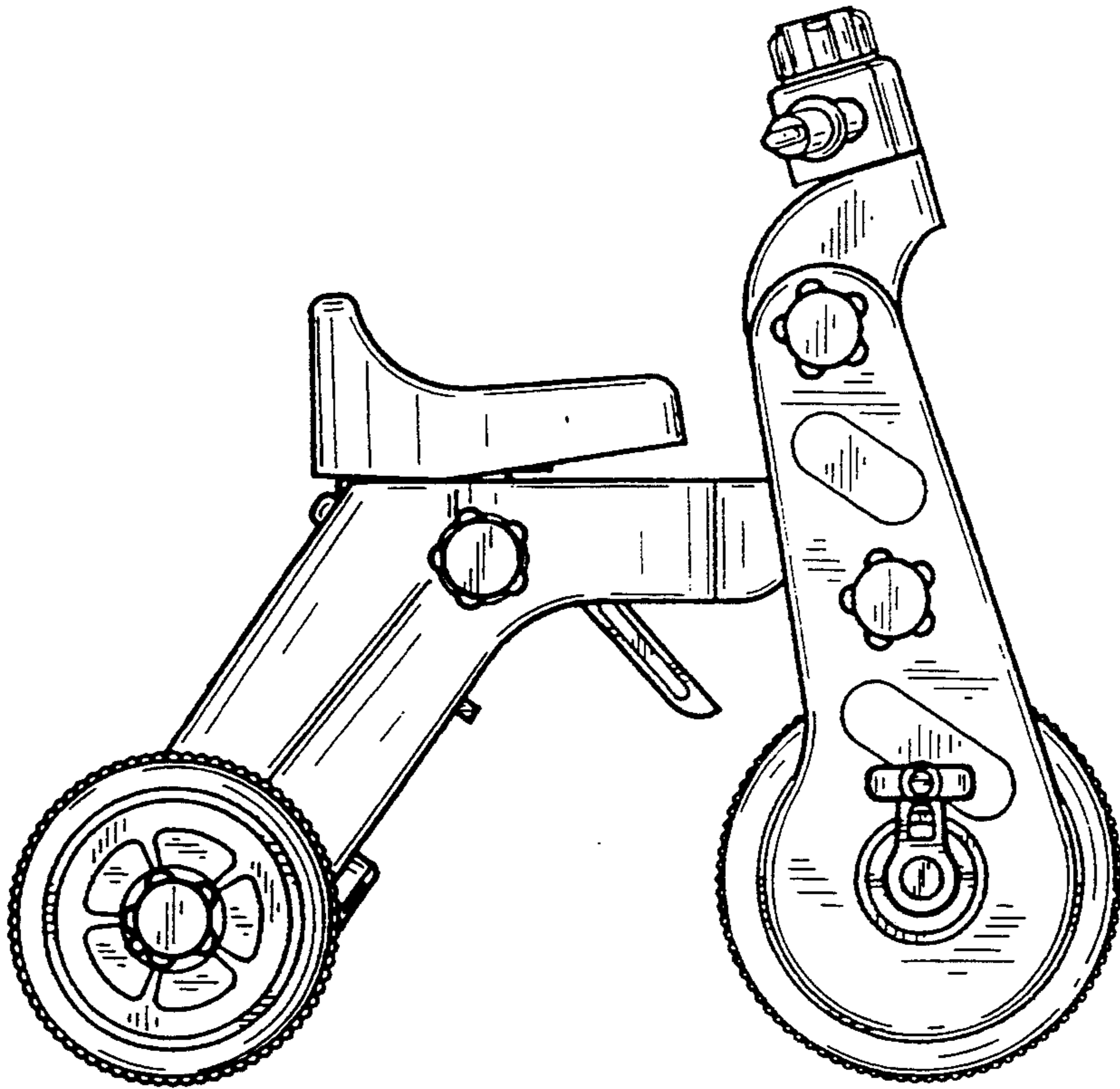


FIG. 3

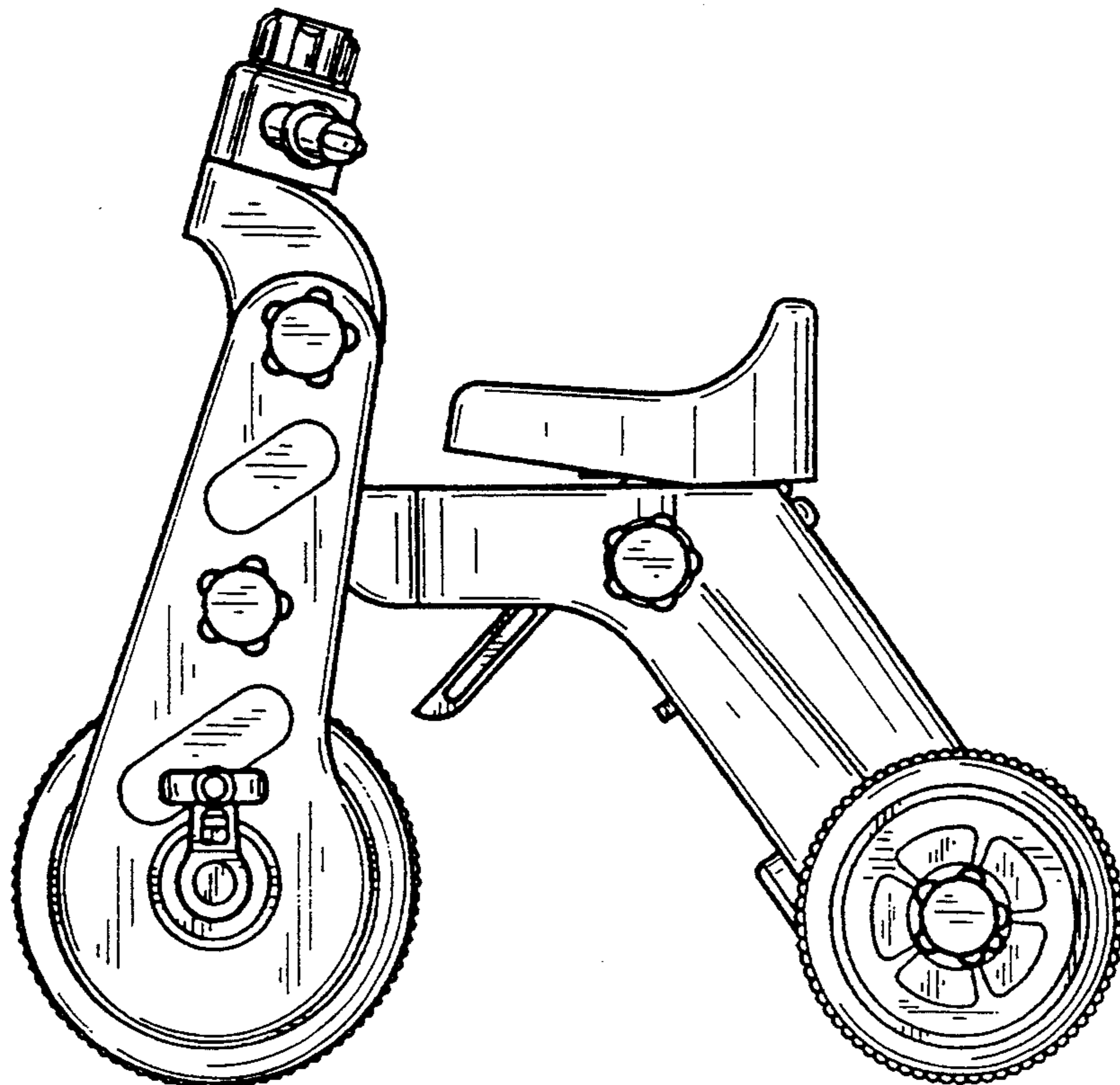


FIG. 2

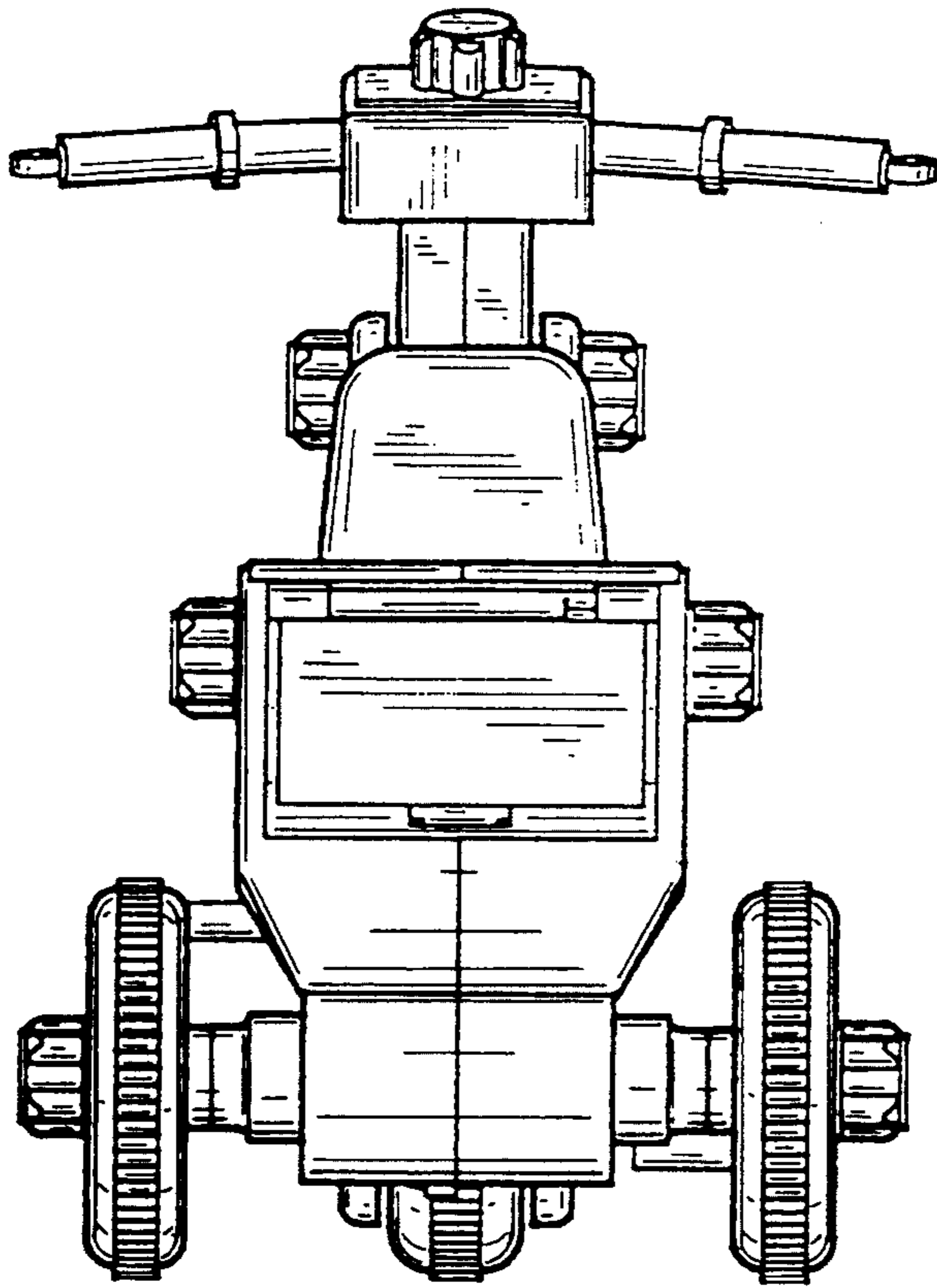


FIG. 5

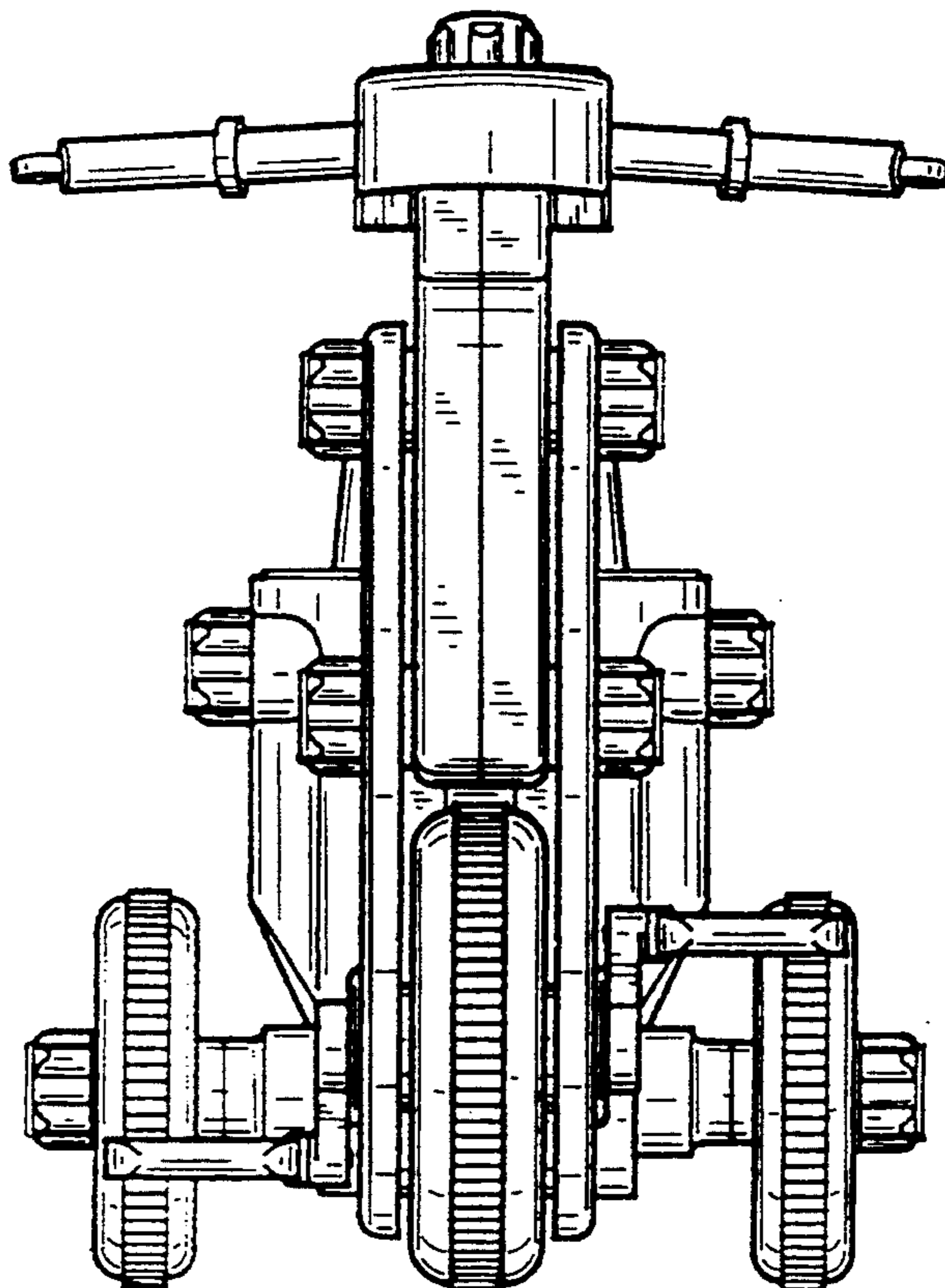


FIG. 4

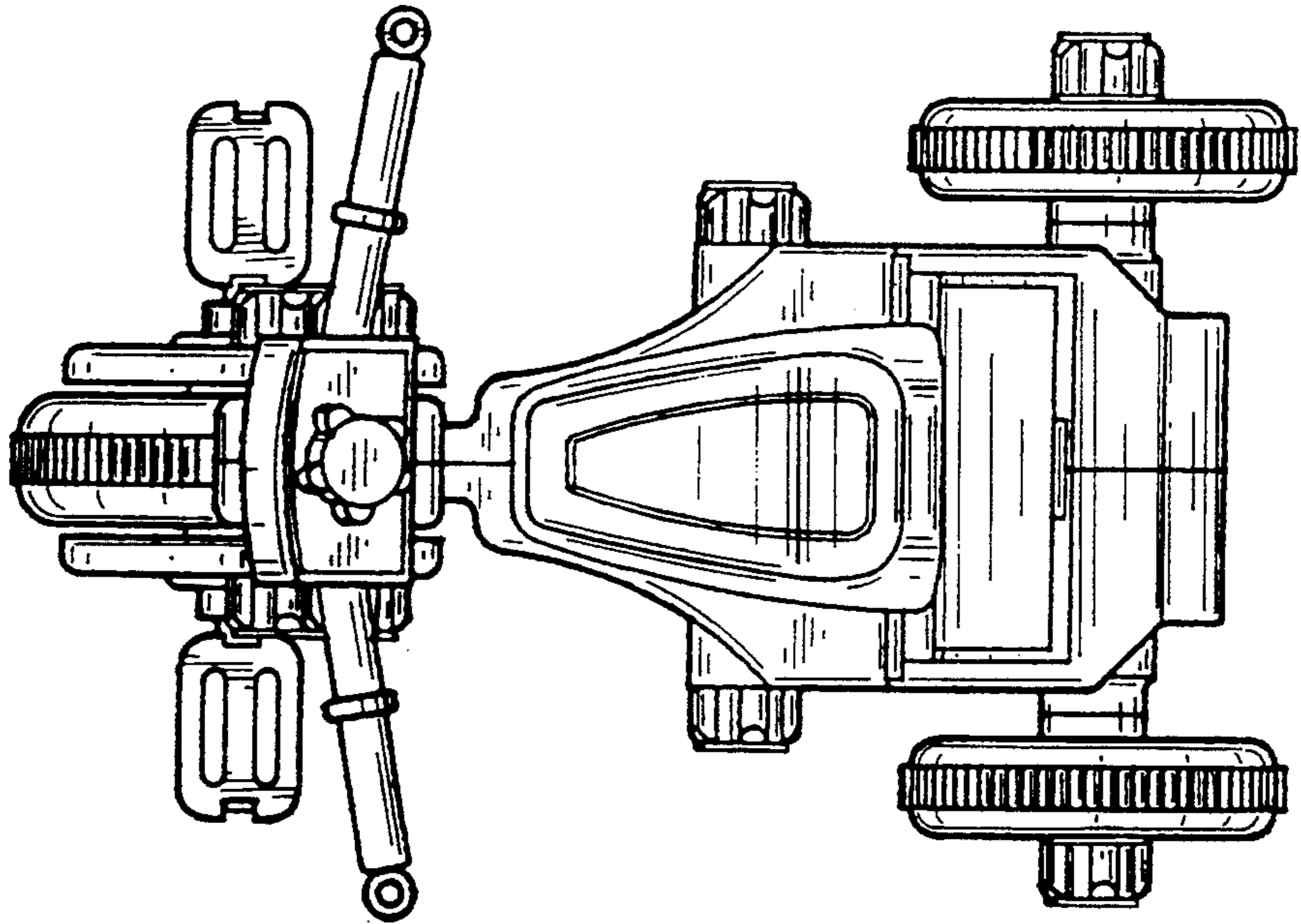


FIG. 6

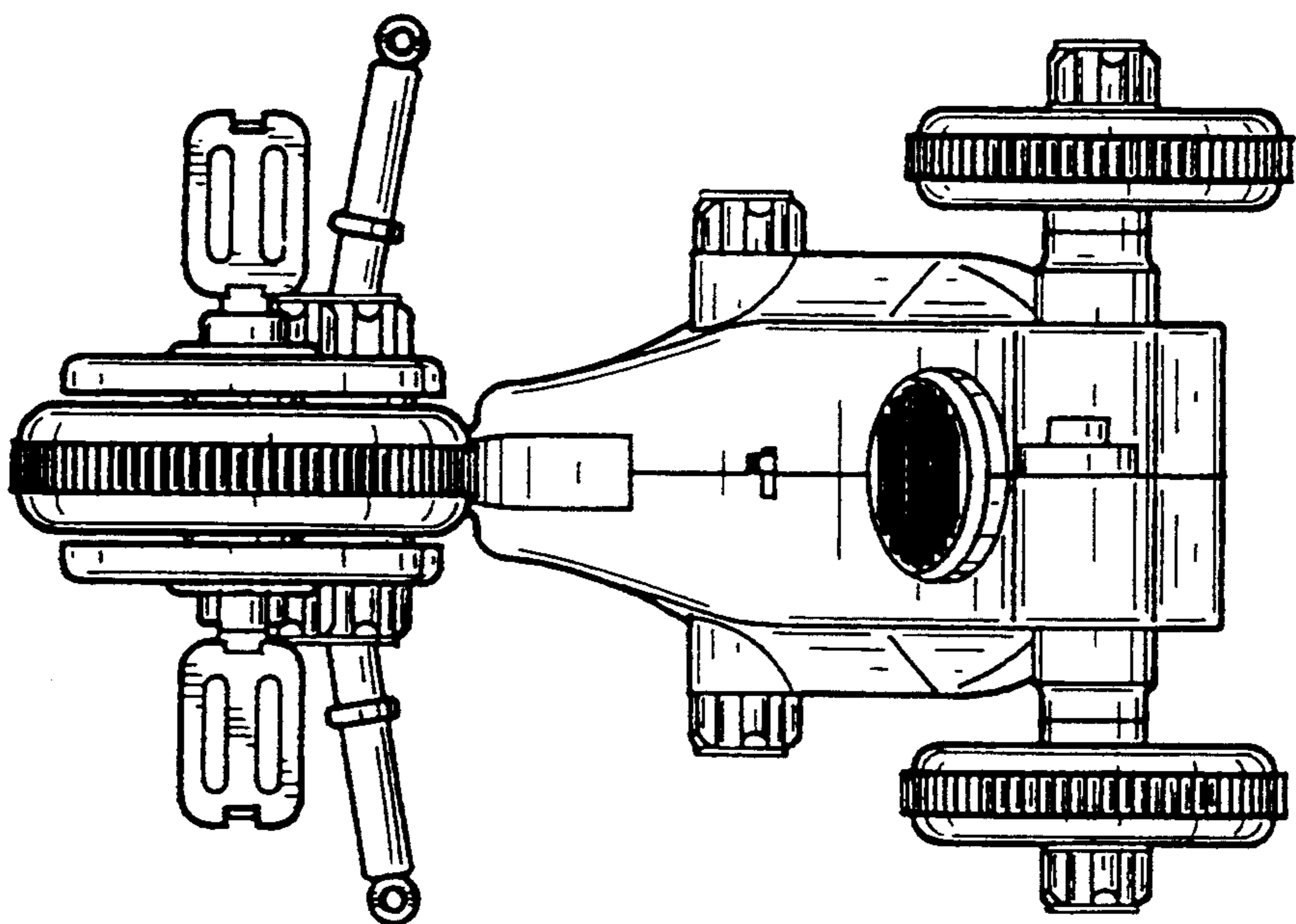


FIG. 7