



US00D352075S

United States Patent [19]
Washington

[11] **Patent Number: Des. 352,075**
[45] **Date of Patent: ** Nov. 1, 1994**

[54] **DRIVABLE TOY TRUCK**

4,304,066 12/1981 Brand 446/434
4,595,380 6/1986 Magers 446/468

[76] **Inventor: Okot A. Washington, 74 Bray Tower,
Adelaide RD, London, England,
NW3-3JU**

FOREIGN PATENT DOCUMENTS

141331 4/1935 Austria 446/451

[**] **Term: 14 Years**

OTHER PUBLICATIONS

Wiking Catalog 1972 top right of page.

[21] **Appl. No.: 14,301**

Primary Examiner—Bernard Ansher

[22] **Filed: Oct. 20, 1993**

Assistant Examiner—R. Barkai

[52] **U.S. Cl. D21/78; D21/140**

Attorney, Agent, or Firm—Terry M. Gernstein

[58] **Field of Search 446/128, 434, 468, 29,
446/93, 94, 96, 451, 211; 280/87.01, 87.021,
47.38, 1.207, 1.206, 1.23, 1.13; D21/71, 74, 76,
78, 80, 128, 133, 134, 135, 136, 137, 140, 141,
148**

[57] **CLAIM**

The ornamental design for a drivable toy truck, as shown and described.

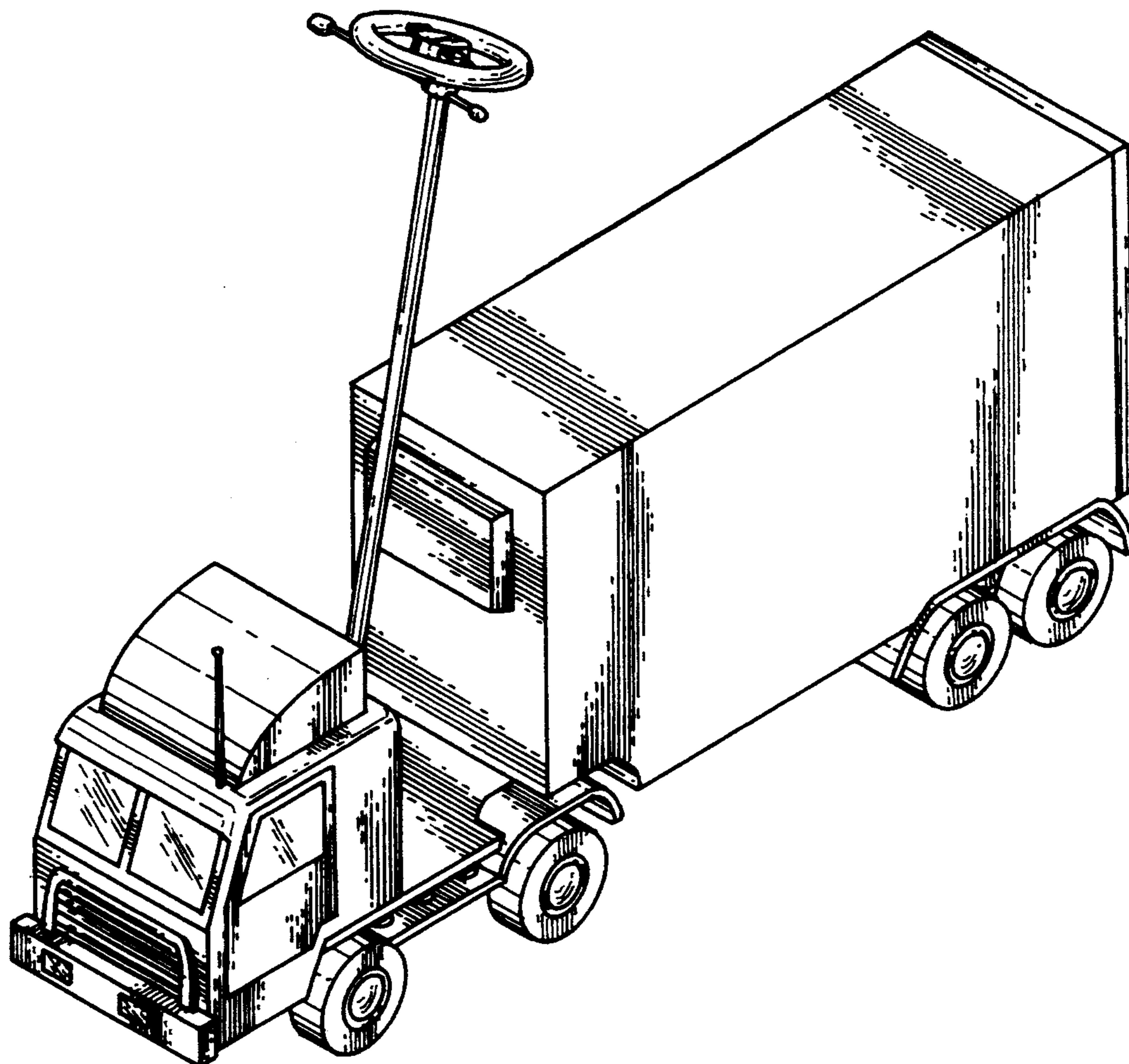
[56] **References Cited**

DESCRIPTION

U.S. PATENT DOCUMENTS

D. 284,984	8/1986	Tzanetakos	D21/134
D. 297,037	8/1988	Matsumoto	D21/140
D. 313,322	1/1991	Ventulett	D21/135
D. 326,490	5/1992	Aker	D21/135
2,233,116	2/1941	Voorheis	446/434
2,311,123	2/1943	Osborne	446/434

FIG. 1 is a front, top and side perspective view of the drivable toy truck showing my new design; FIG. 2 is a front elevational view thereof; FIG. 3 is a rear elevational view thereof; FIG. 4 is a side elevational view thereof, the side opposite being a mirror image of the side shown in FIG. 4; FIG. 5 is a top plan view thereof; and, FIG. 6 is a bottom plan view thereof.



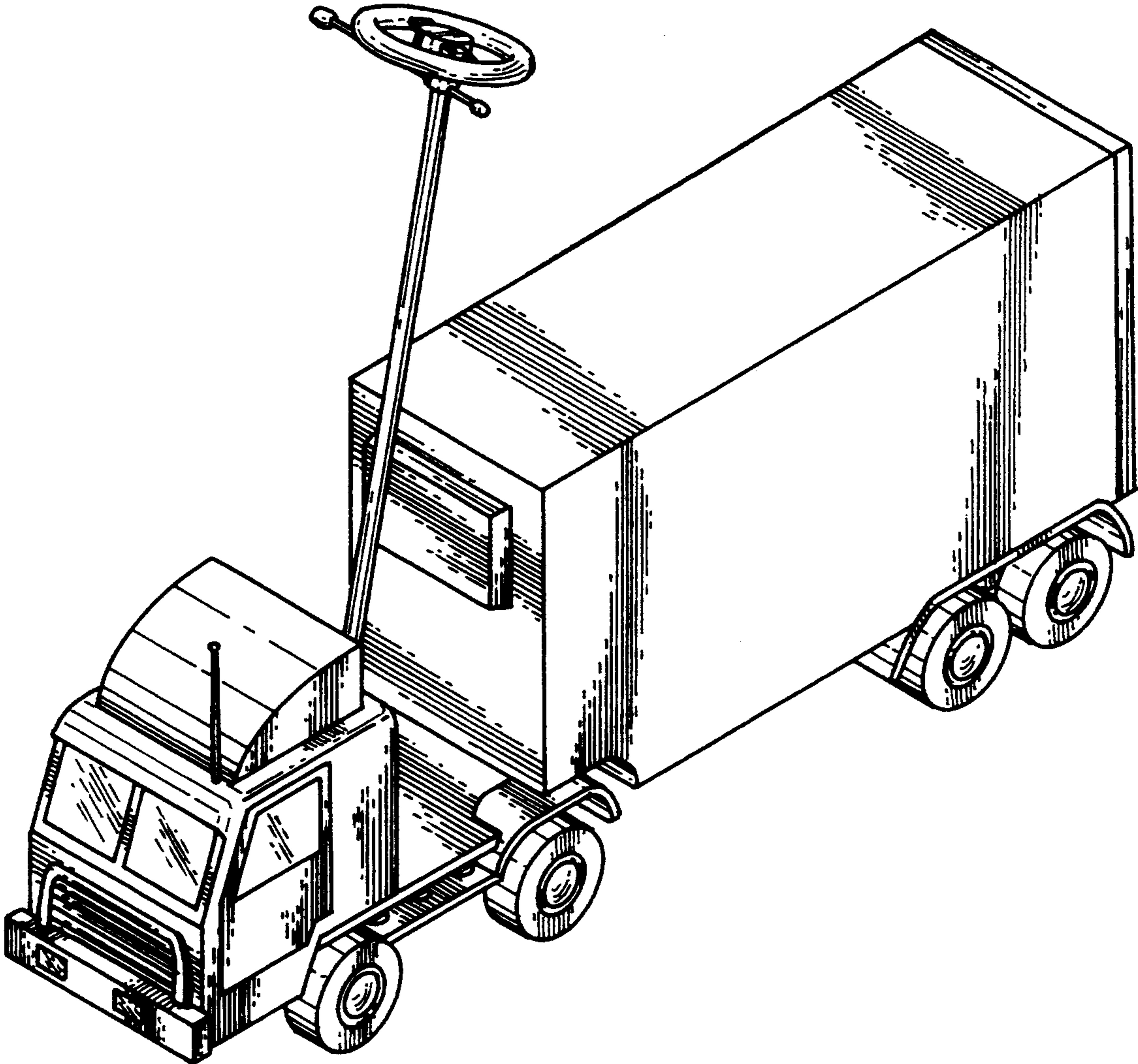


FIG. 1

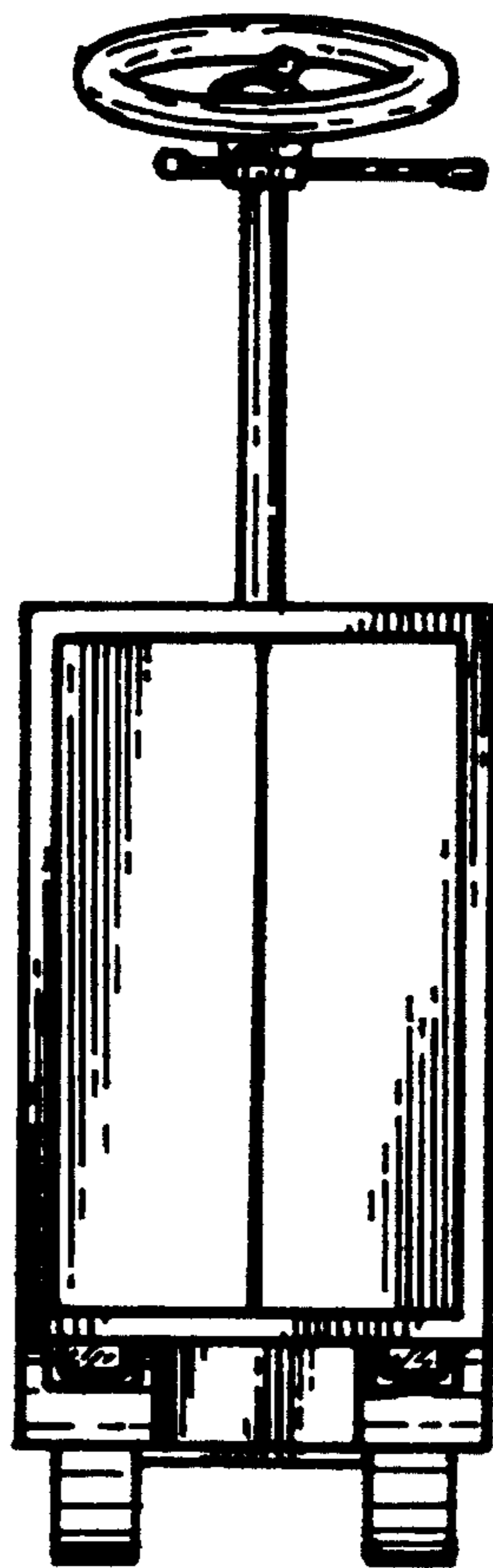


FIG. 3

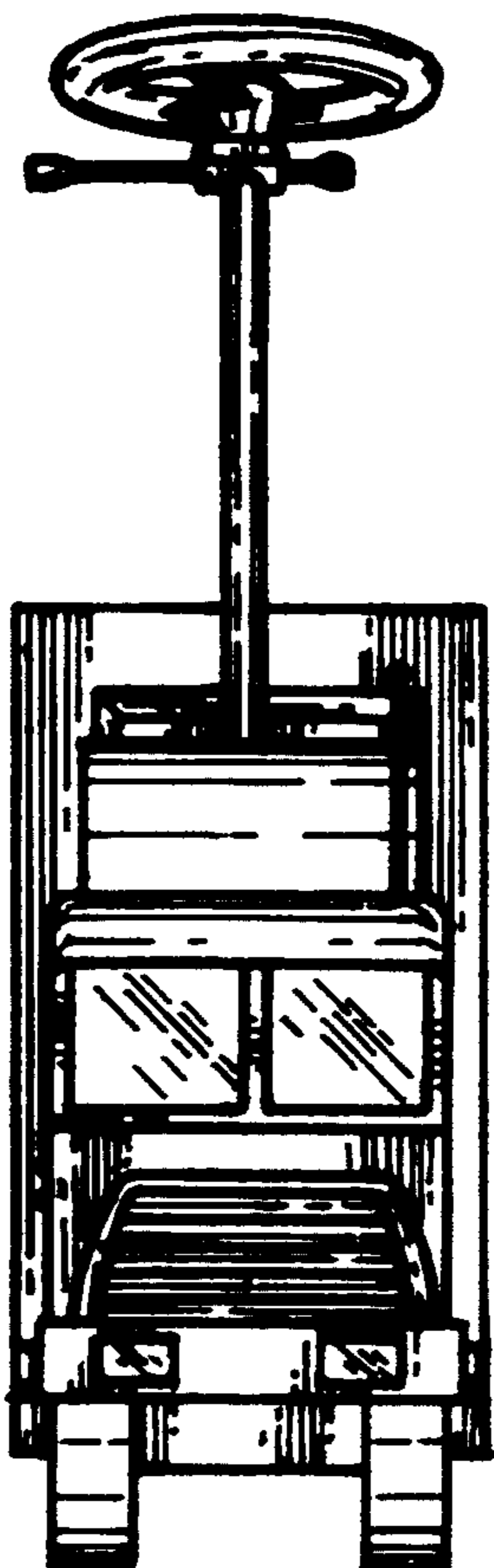


FIG. 2

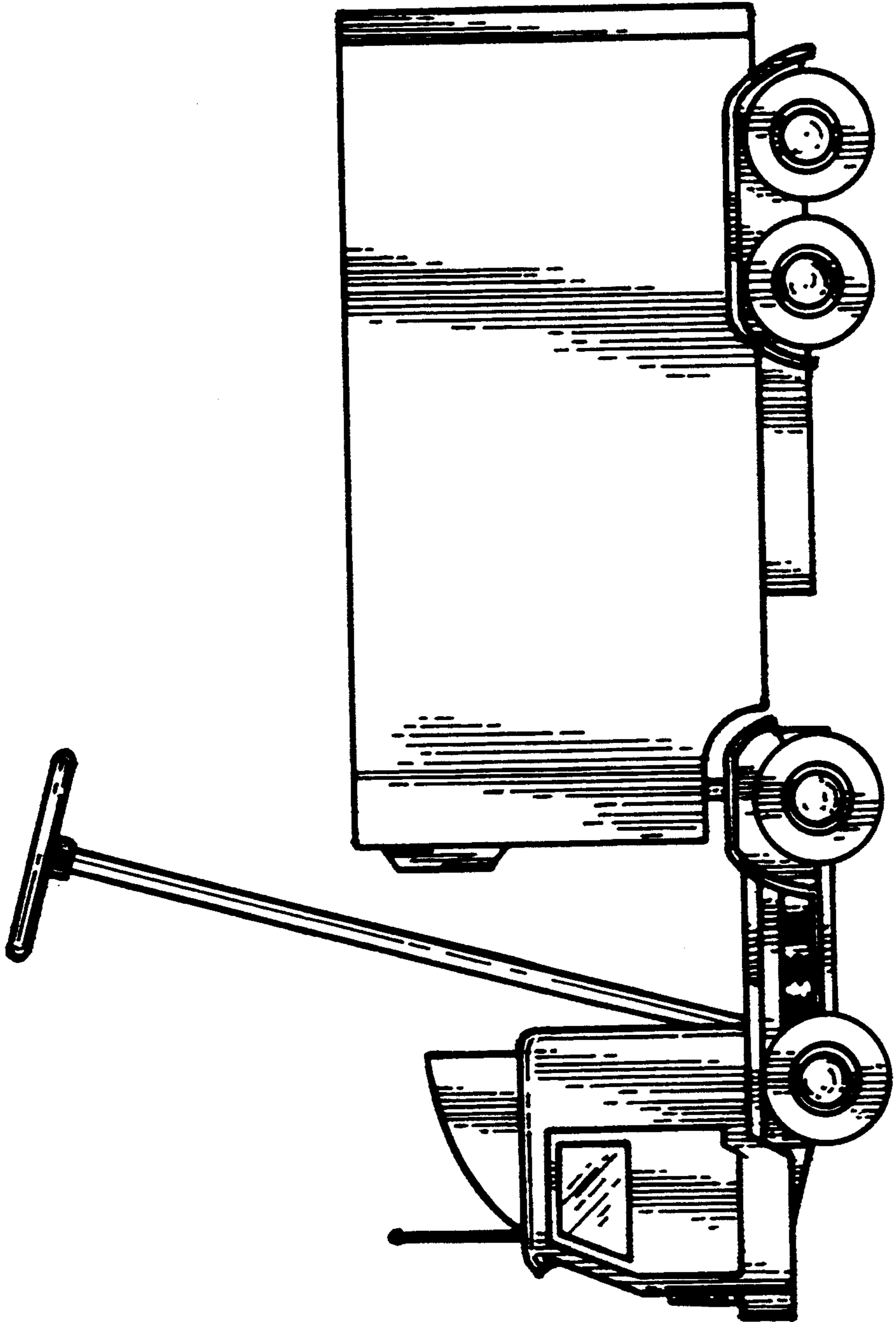


FIG. 4

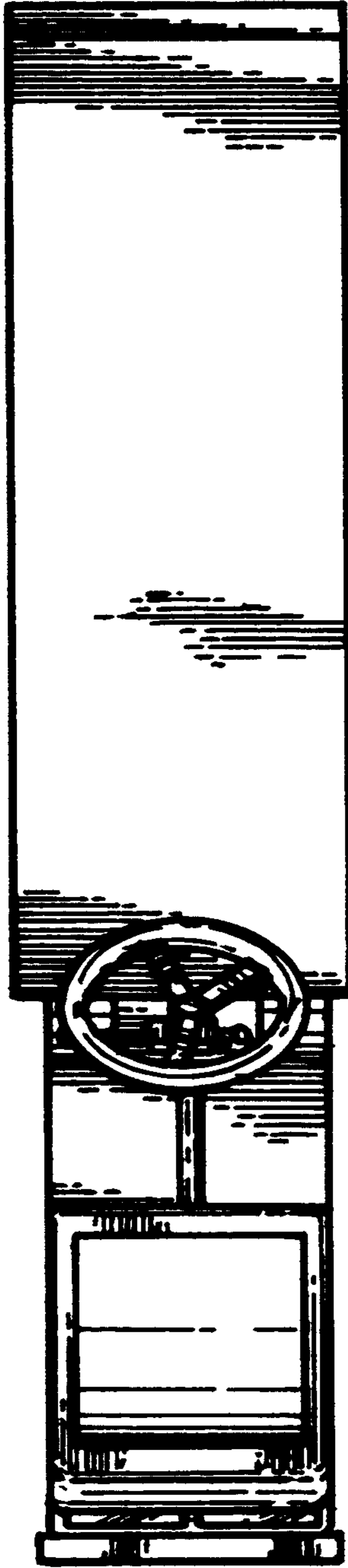


FIG. 5

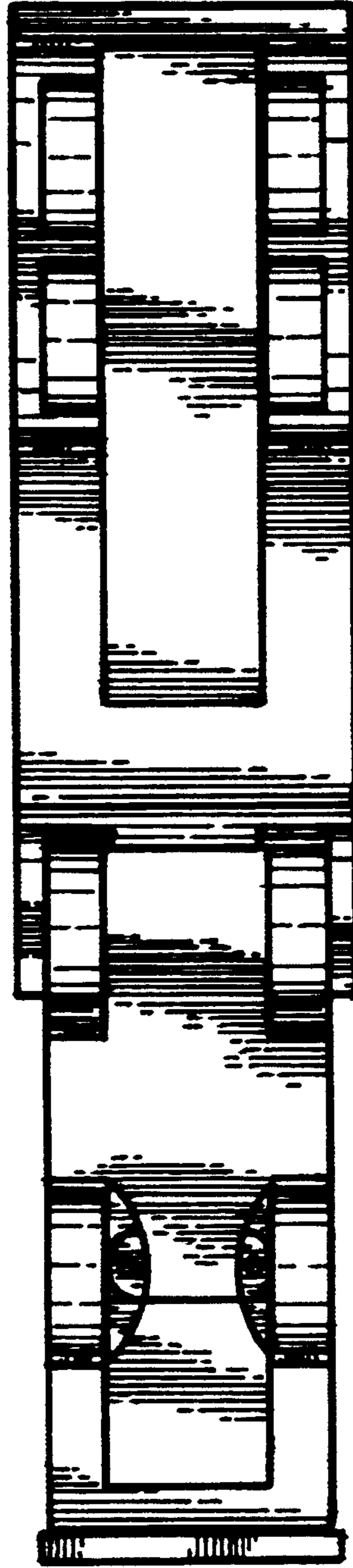


FIG. 6