



US00D352070S

United States Patent [19]

Gibson

[11] Patent Number: Des. 352,070

[45] Date of Patent: ** Nov. 1, 1994

[54] **DISPLAY HOLDER**

[76] Inventor: **Scott S. Gibson**, 6901 93rd SE., Mercer Island, Wash. 98040

[**] Term: **14 Years**

[21] Appl. No.: **5,201**

[22] Filed: **Feb. 26, 1993**

[52] U.S. Cl. **D20/40**

[58] Field of Search 40/1, 124, 124.1, 124.2, 40/124.4, 152, 606, 607, 617, 649, 650, 642, 651; 248/204, 221.4, 289, 289.3, 225.1; D20/10, 39, 40, 41, 42, 43, 44

4,957,256 9/1990 Boeding 248/225.1
5,111,606 5/1992 Reynolds 40/642

Primary Examiner—Wallace R. Burke
Assistant Examiner—Marcus Jackson
Attorney, Agent, or Firm—Glenn D. Bellamy

[57] **CLAIM**

The ornamental design for a display holder, as shown and described.

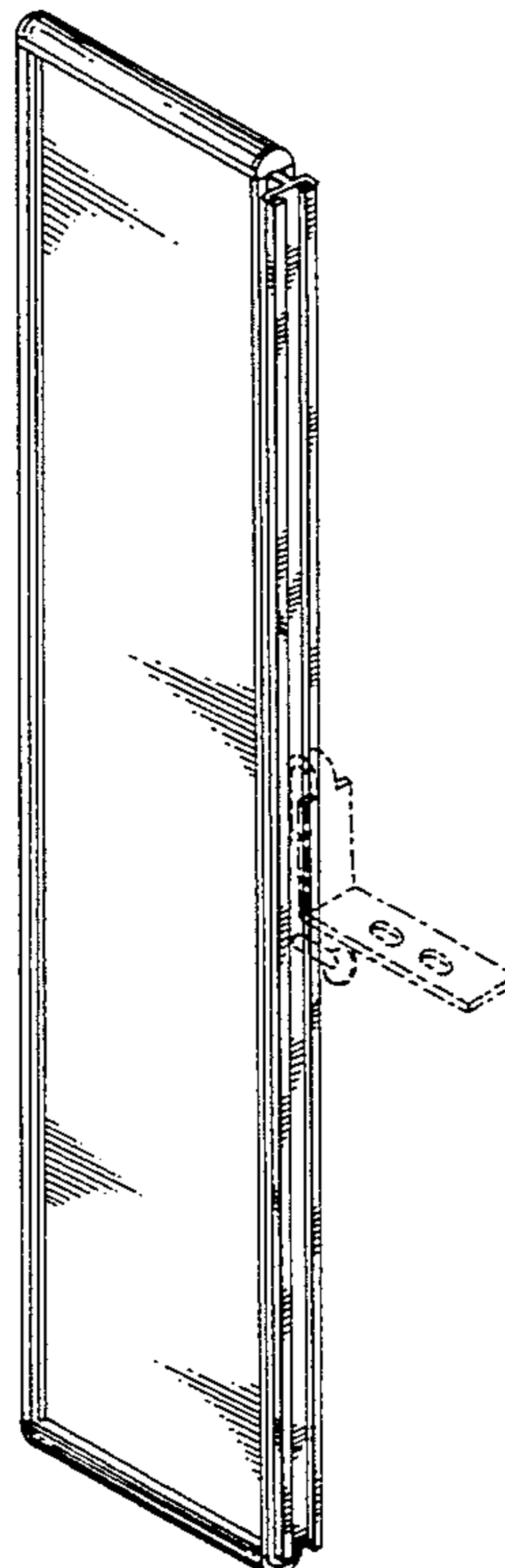
DESCRIPTION

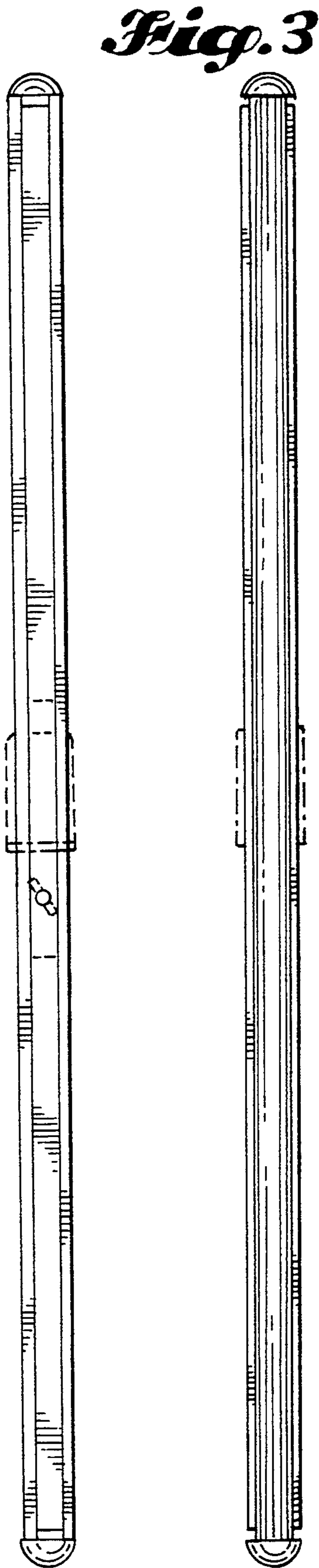
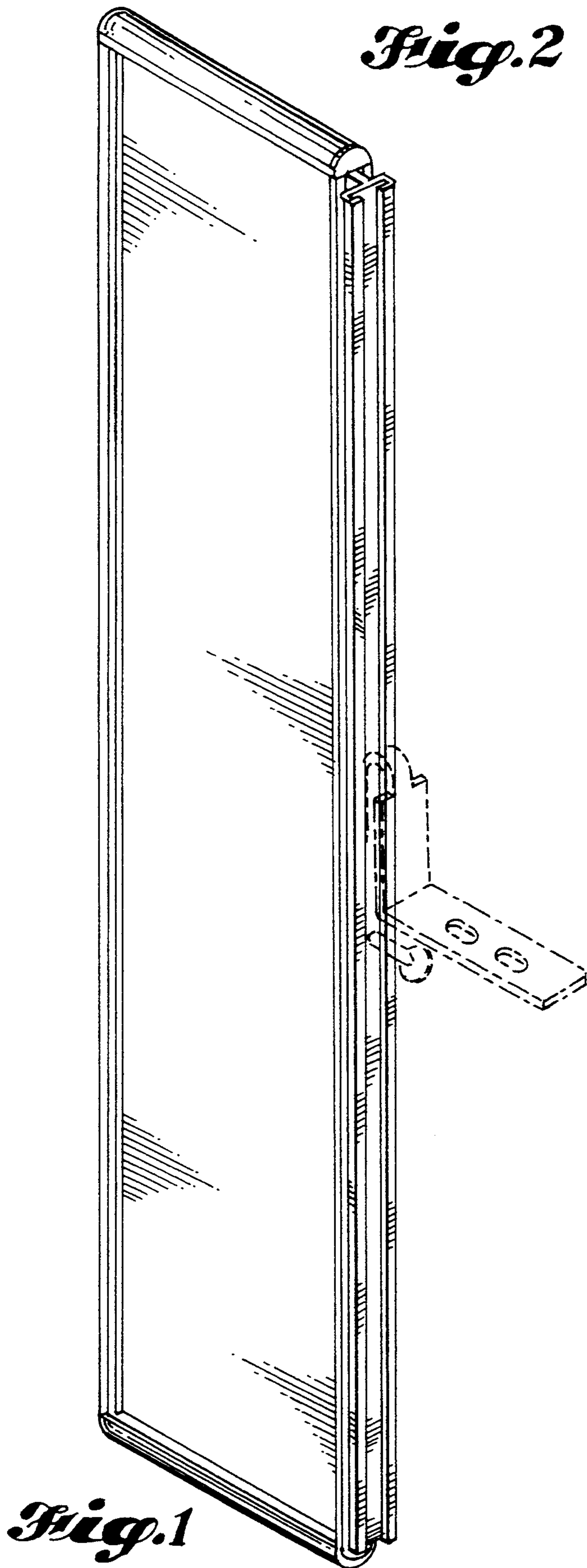
FIG. 1 is a perspective view of the display holder, shown in an upright position, and taken from above and towards the top, one side and rear edge, with the broken line showing for illustrative purposes only and forming no part of the claimed design;
FIG. 2 is a rear edge elevational view of the display holder shown in FIG. 1;
FIG. 3 is a front edge elevational view of the display holder shown in FIGS. 1 and 2;
FIG. 4 is a first side elevational view of the display holder shown in FIGS. 1-3;
FIG. 5 is a second side elevational view of the display holder shown in FIGS. 1-4;
FIG. 6 is a top plan view of the display holder shown in FIGS. 1-5;
FIG. 7 is a bottom plan view of the display holder shown by FIGS. 1-6;
FIG. 8 is an enlarged scale sectional view taken substantially along line 8-8 of FIG. 4;
FIG. 9 is a vertical sectional view taken substantially along line 9-9 of FIG. 4; and,
FIG. 10 is a vertical sectional view taken substantially along line 10-10 of FIG. 4.

[56] **References Cited**

U.S. PATENT DOCUMENTS

D. 110,856	8/1938	Berger	D20/42
D. 161,735	1/1951	Chapman	D20/42
D. 162,637	3/1951	Ernst	D20/42
1,559,010	10/1925	Schwieger .	
1,793,563	2/1931	Schwartz .	
1,866,723	7/1932	Powers .	
2,080,325	5/1937	Lowmaster	40/650
2,646,241	7/1953	McLean	248/289
2,741,572	4/1956	Lennartz	40/649
2,787,433	4/1957	Slavsky et al.	248/204
3,015,897	1/1962	Hopp	40/650
3,529,798	9/1970	Williams et al.	248/469
4,574,507	3/1986	Elliott	40/607
4,616,799	10/1986	Rebentisch	248/289.3
4,753,026	6/1988	Woodman et al.	40/649
4,805,331	2/1989	Boggess et al.	40/651
4,866,867	9/1989	Clark	40/642
4,881,707	11/1989	Garfinkle	248/221.4
4,909,464	3/1990	Levine et al.	248/225.1





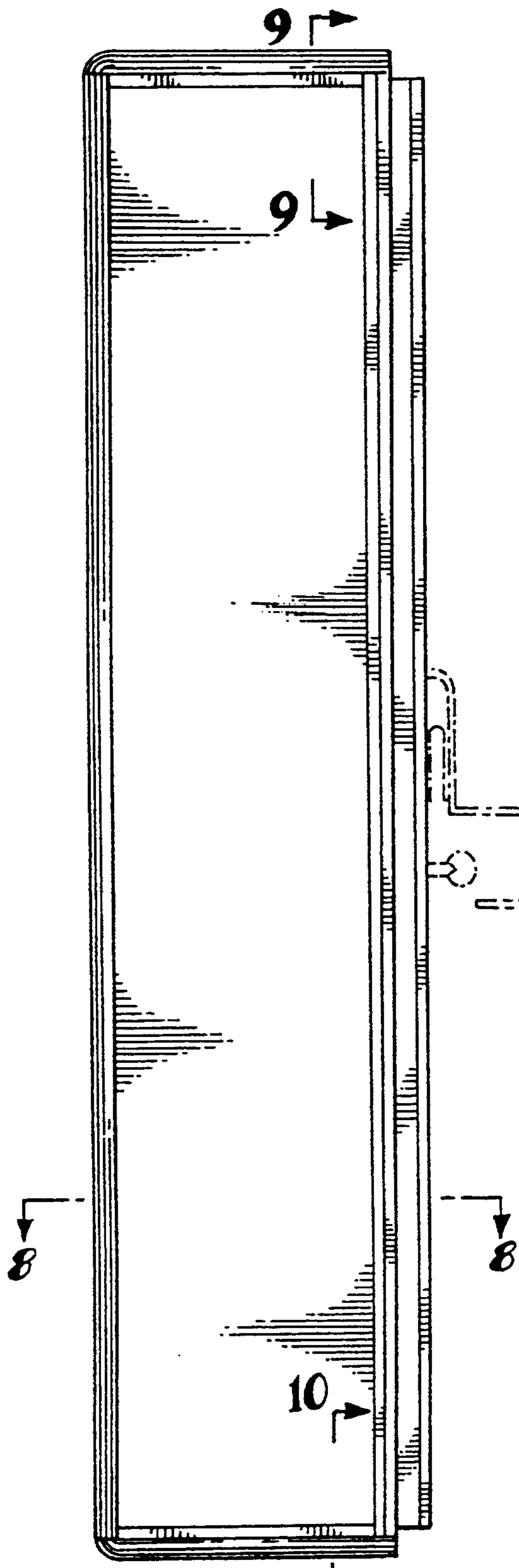


Fig. 4 10

Fig. 5

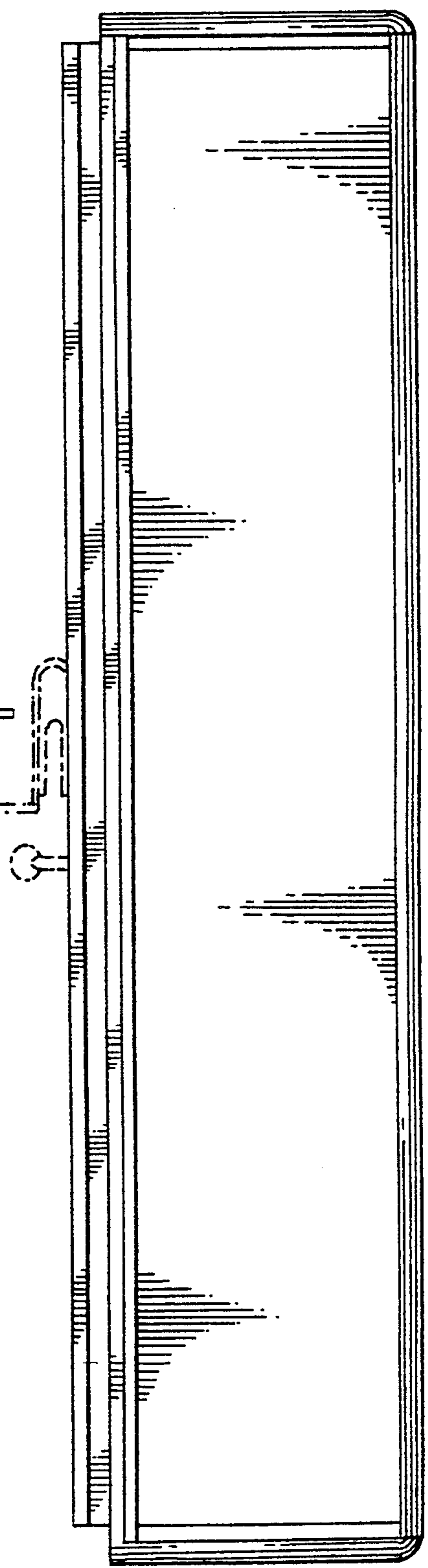


Fig. 6

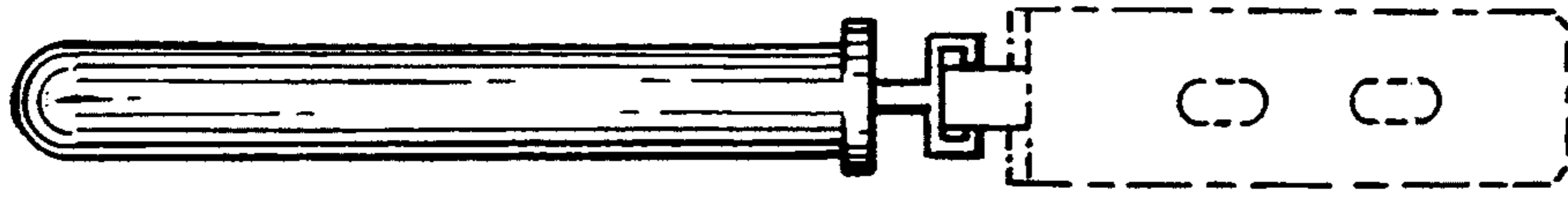


Fig. 7

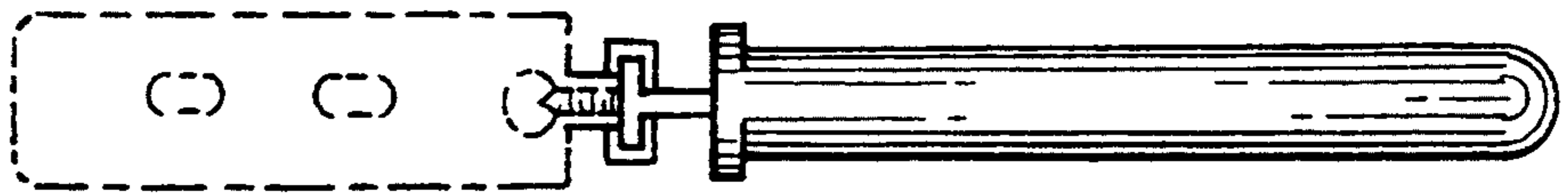


Fig. 8

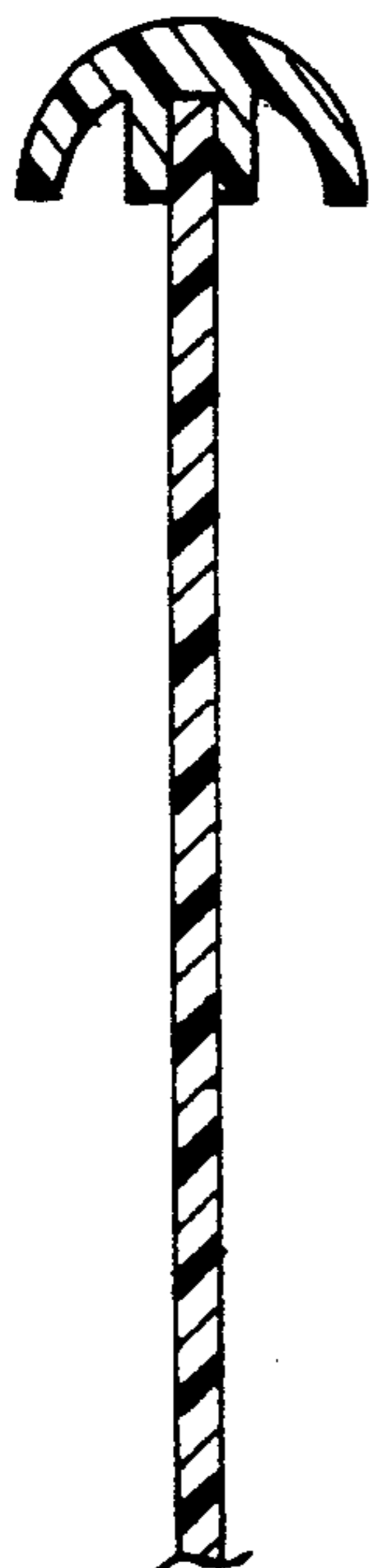
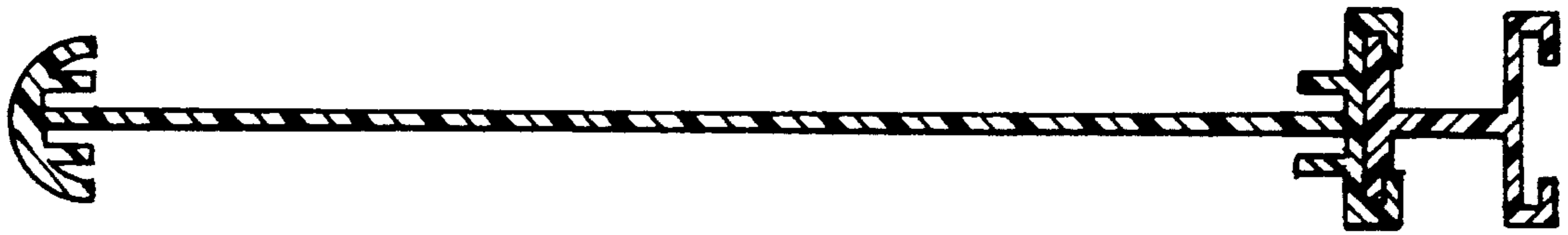


Fig. 9

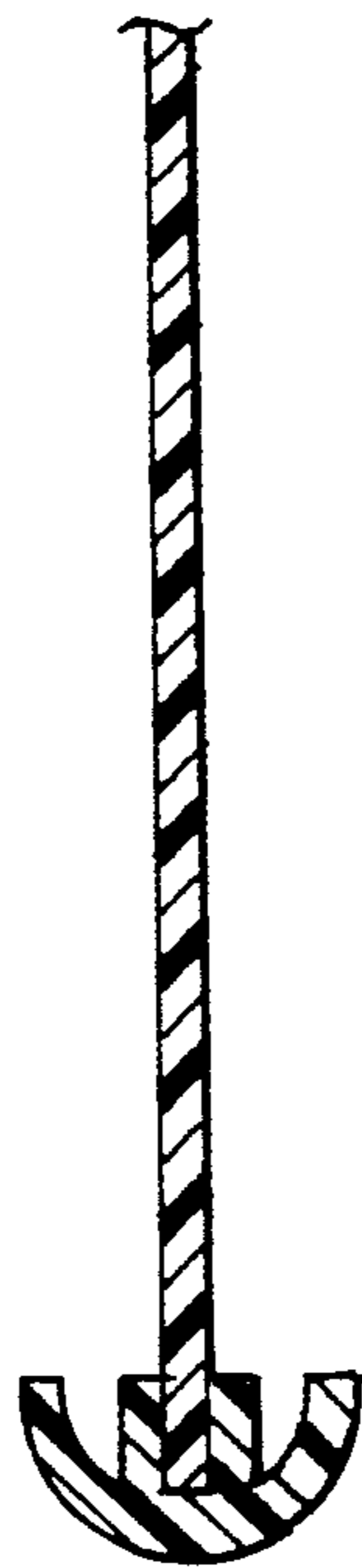


Fig. 10