



US00D352069S

United States Patent [19]

[11] Patent Number: Des. 352,069

Doolin

[45] Date of Patent: ** Nov. 1, 1994

[54] COMBINED CLOCK, WRITING INSTRUMENT AND HOLDER THEREFOR

[76] Inventor: **Patrick R. Doolin**, c/o PRD Group - Enterprises Division 9059 Highway 20, Suite B, Madison, Ala. 35758

[**] Term: **14 Years**

[21] Appl. No.: **3,136**

[22] Filed: **Dec. 29, 1992**

[52] U.S. Cl. **D19/82; D10/2; D10/6; D19/42**

[58] Field of Search **368/10; 401/52, 195; 211/69.1-69.9; D10/1-39; D19/36, 65, 75, 77, 78, 81-85, 42, 95, 99, 100**

[56] References Cited

U.S. PATENT DOCUMENTS

D. 243,511	3/1977	O'Brien	D10/8
D. 266,436	10/1982	Smith	D10/2 X
D. 270,899	10/1983	Huang	D10/2
298,954	12/1988	Doolin	.	
3,273,890	9/1966	Williams	401/52
3,845,614	11/1974	Christ	D10/2 X

OTHER PUBLICATIONS

Jeweler's Circular-Keystone, Oct. 1964, see circled golf ball/tee clock upper right.

Primary Examiner—Martie Thompson
Attorney, Agent, or Firm—Sughrue, Mion, Zinn, Macpeak & Seas

[57] CLAIM

The ornamental design for a combined clock, writing instrument and holder therefor, as shown and described.

DESCRIPTION

FIG. 1 is a perspective view of the front and top of a first embodiment of a combined clock, writing instrument and holder therefor showing my new design; FIG. 2 is a top plan view thereof, the bottom being plain and unornamented; FIG. 3 is a rear elevational view thereof; FIG. 4 is right side elevational view thereof; FIG. 5 is a left side elevational view thereof; FIG. 6 is a perspective view similar to FIG. 1 of a second embodiment of a combined clock, writing instrument and holder therefor; FIG. 7 is a top plan view thereof, the bottom being plain and unornamented; FIG. 8 is a rear elevational view thereof; FIG. 9 is a right side elevational view thereof; and, FIG. 10 is a left side elevational view thereof.

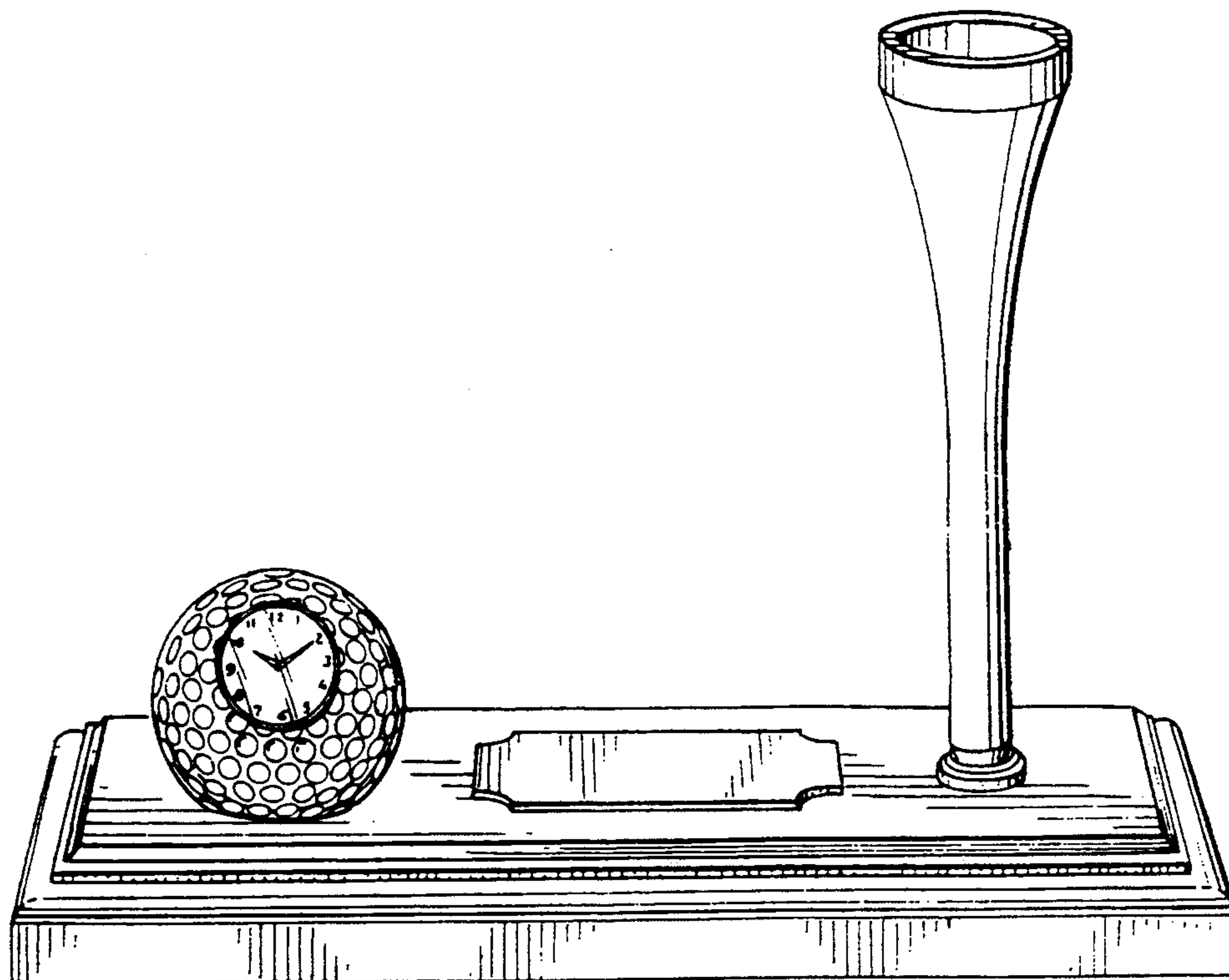


FIG. 1

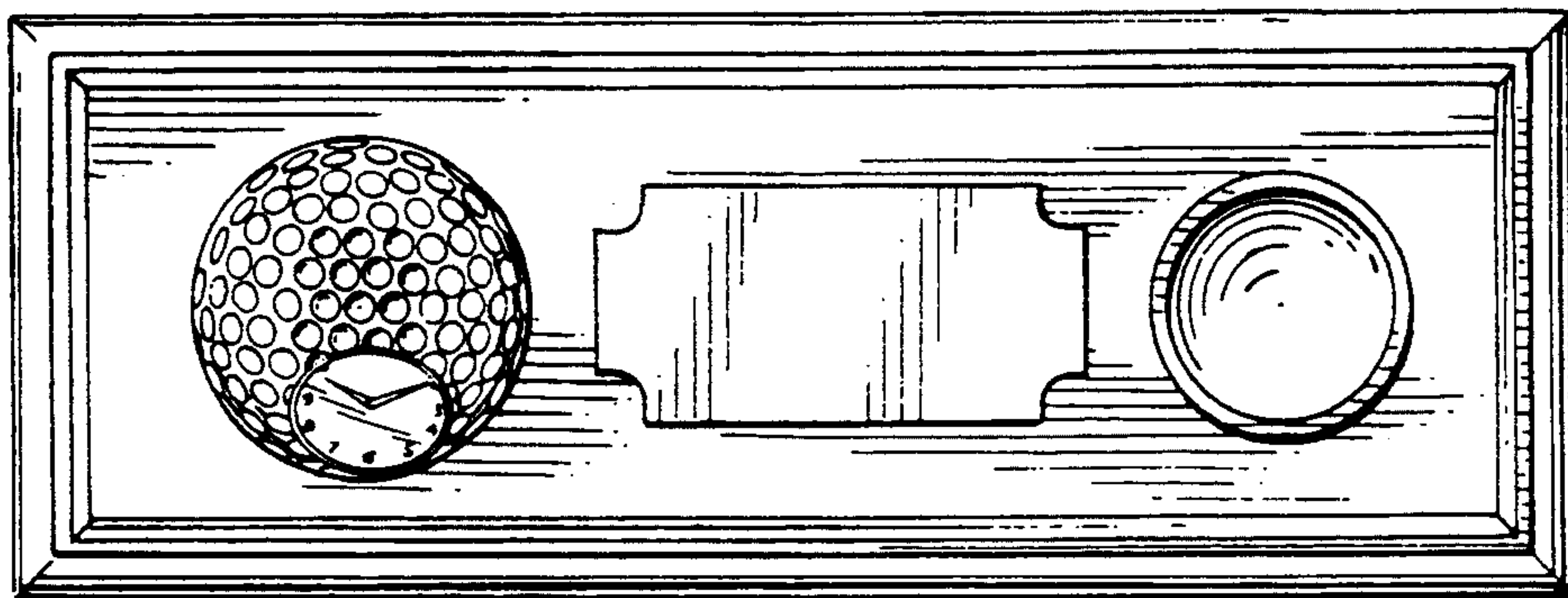
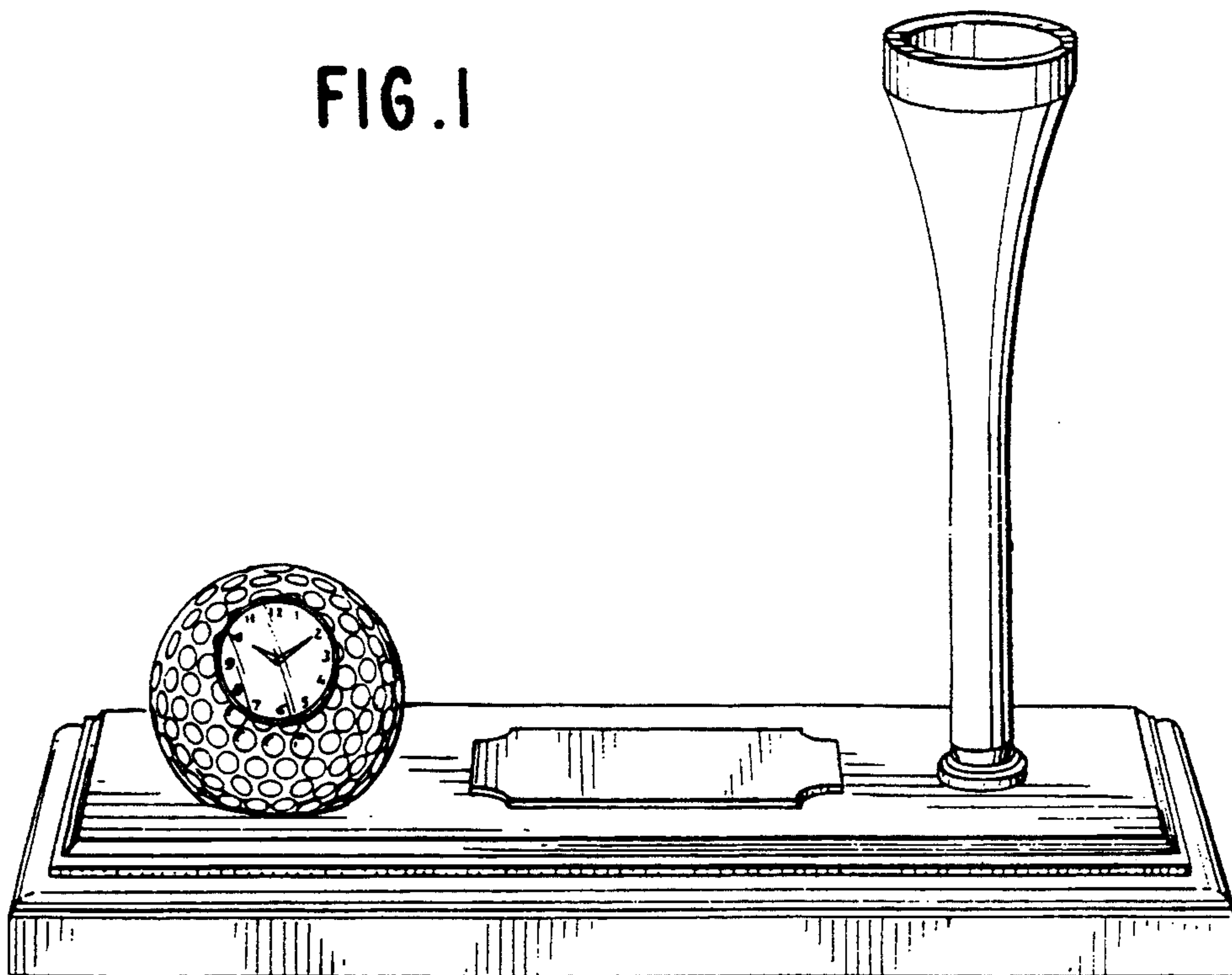


FIG. 2

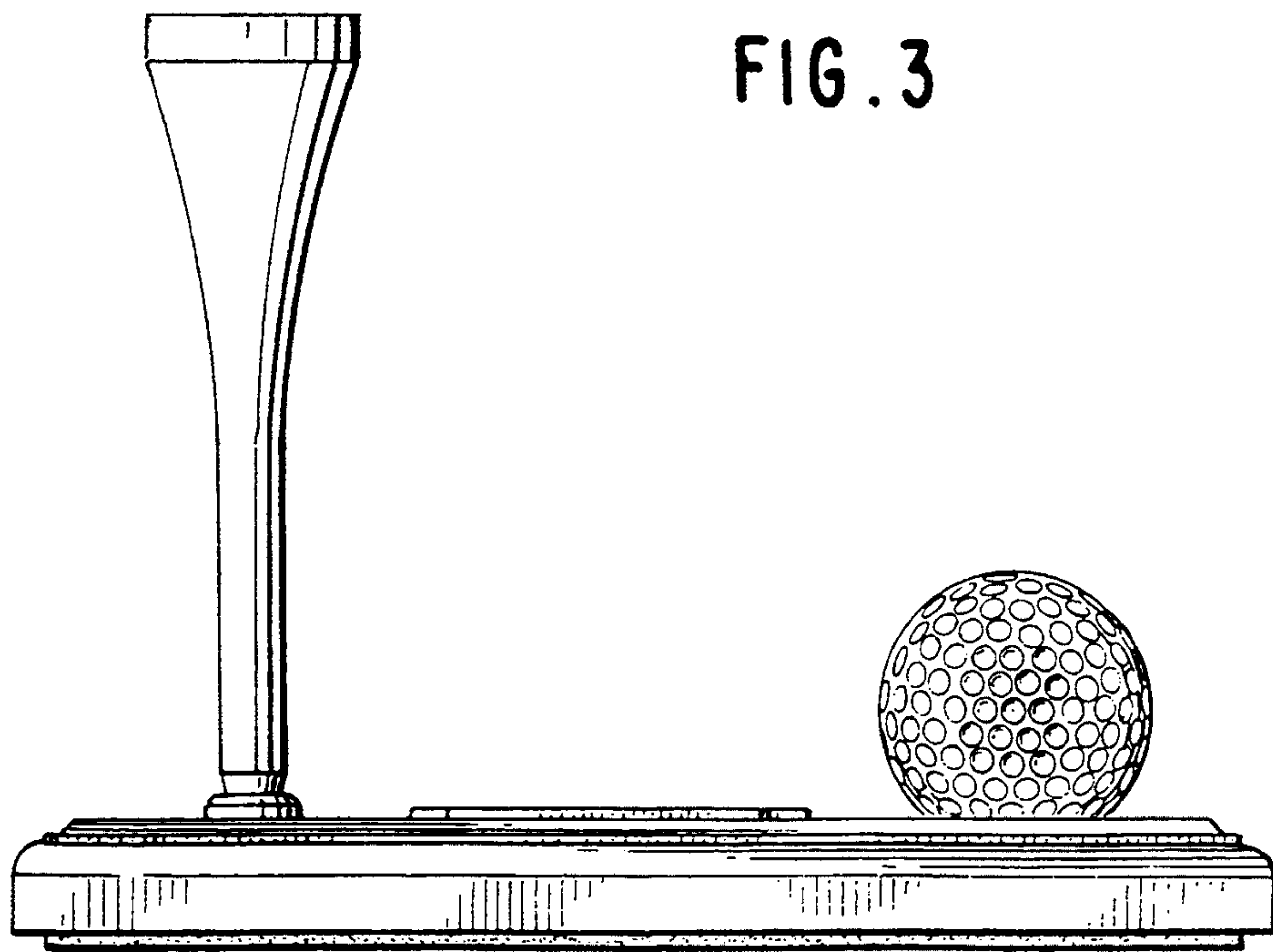


FIG. 4

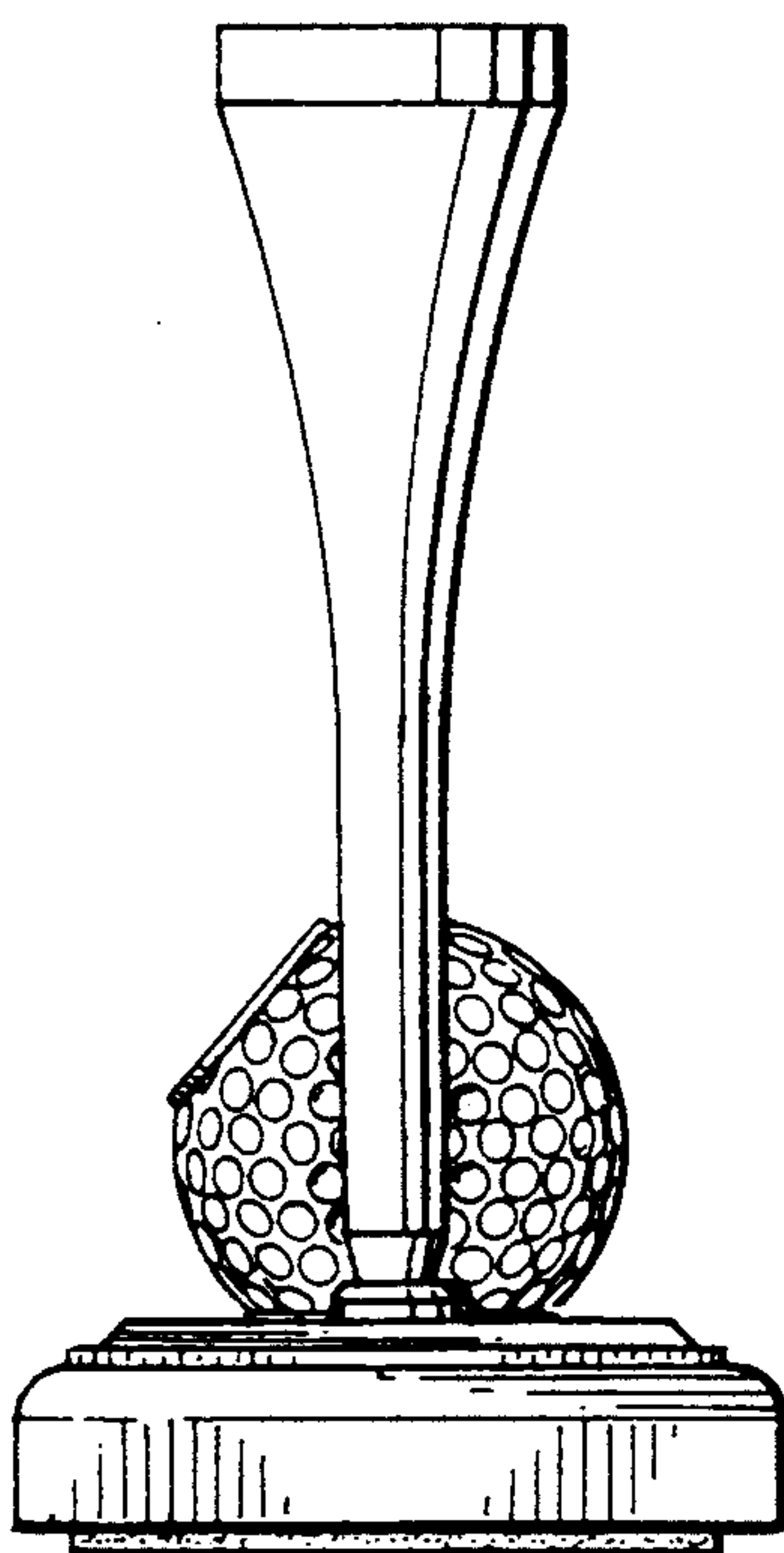


FIG. 5

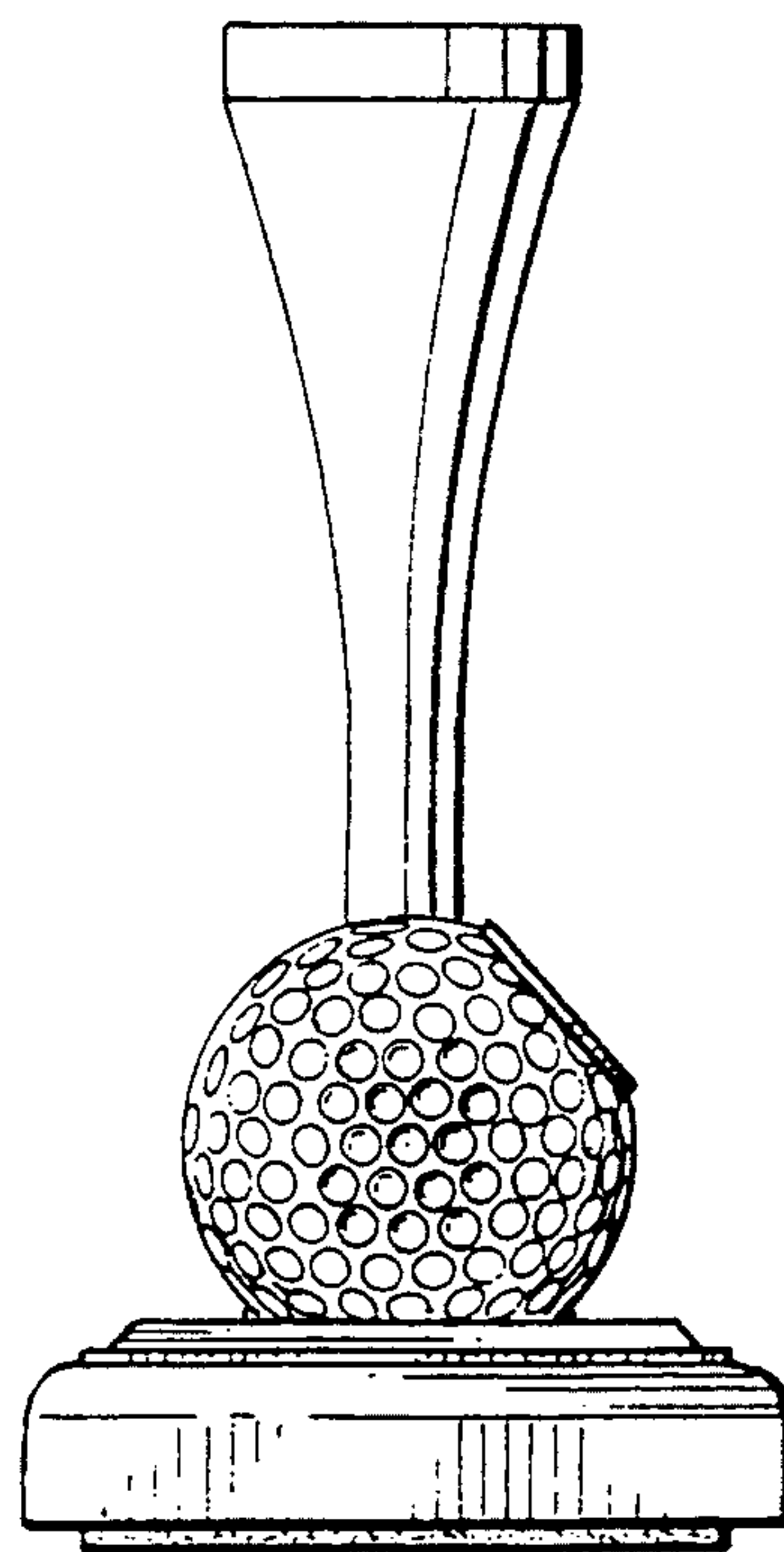


FIG. 6

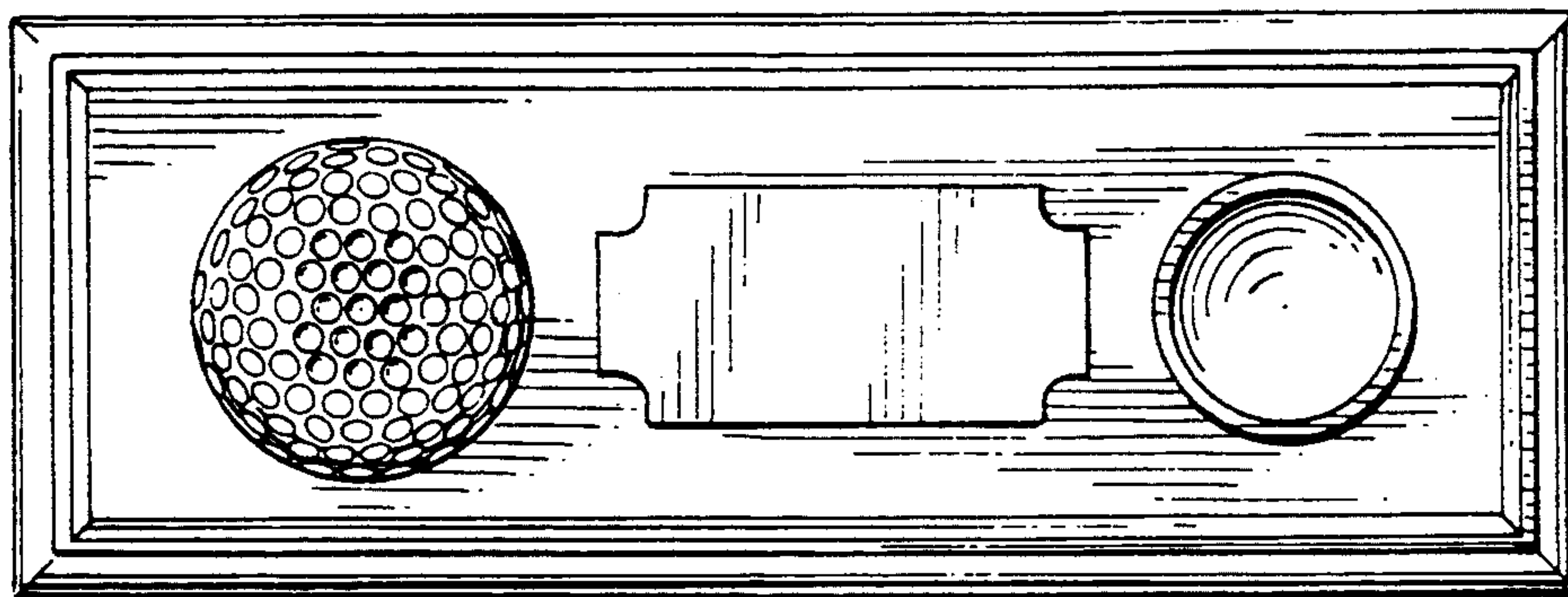
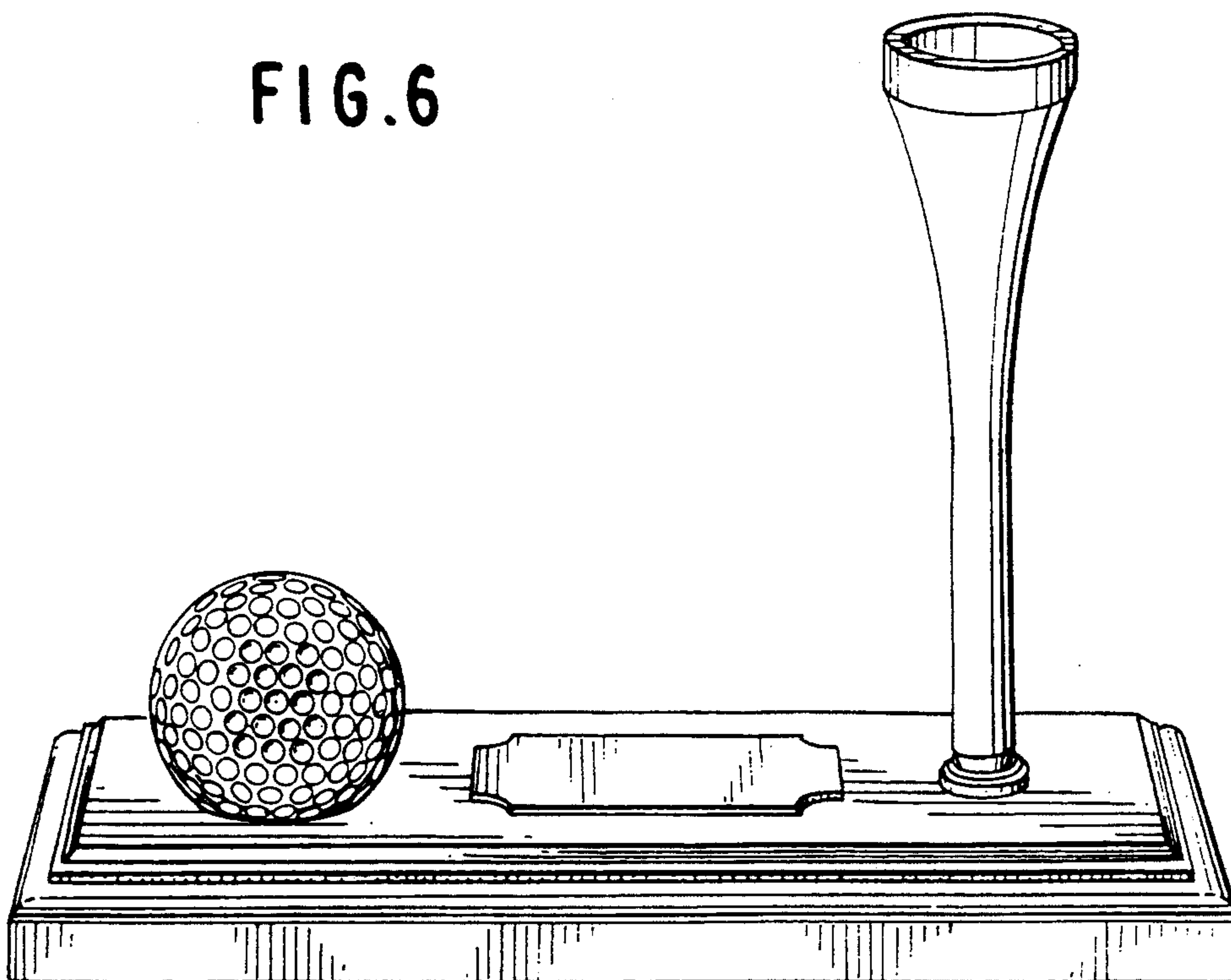


FIG. 7

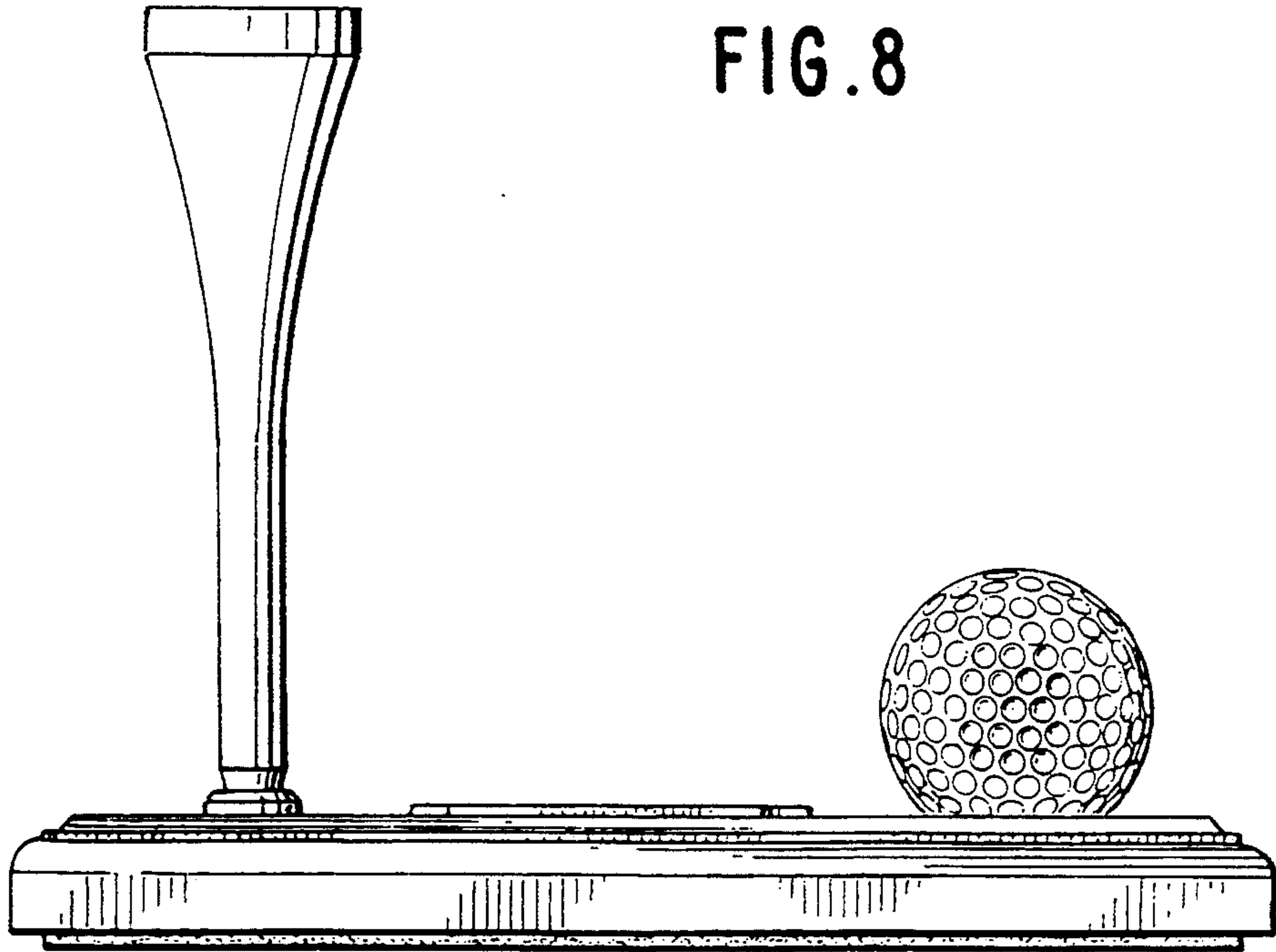


FIG. 8

FIG. 9

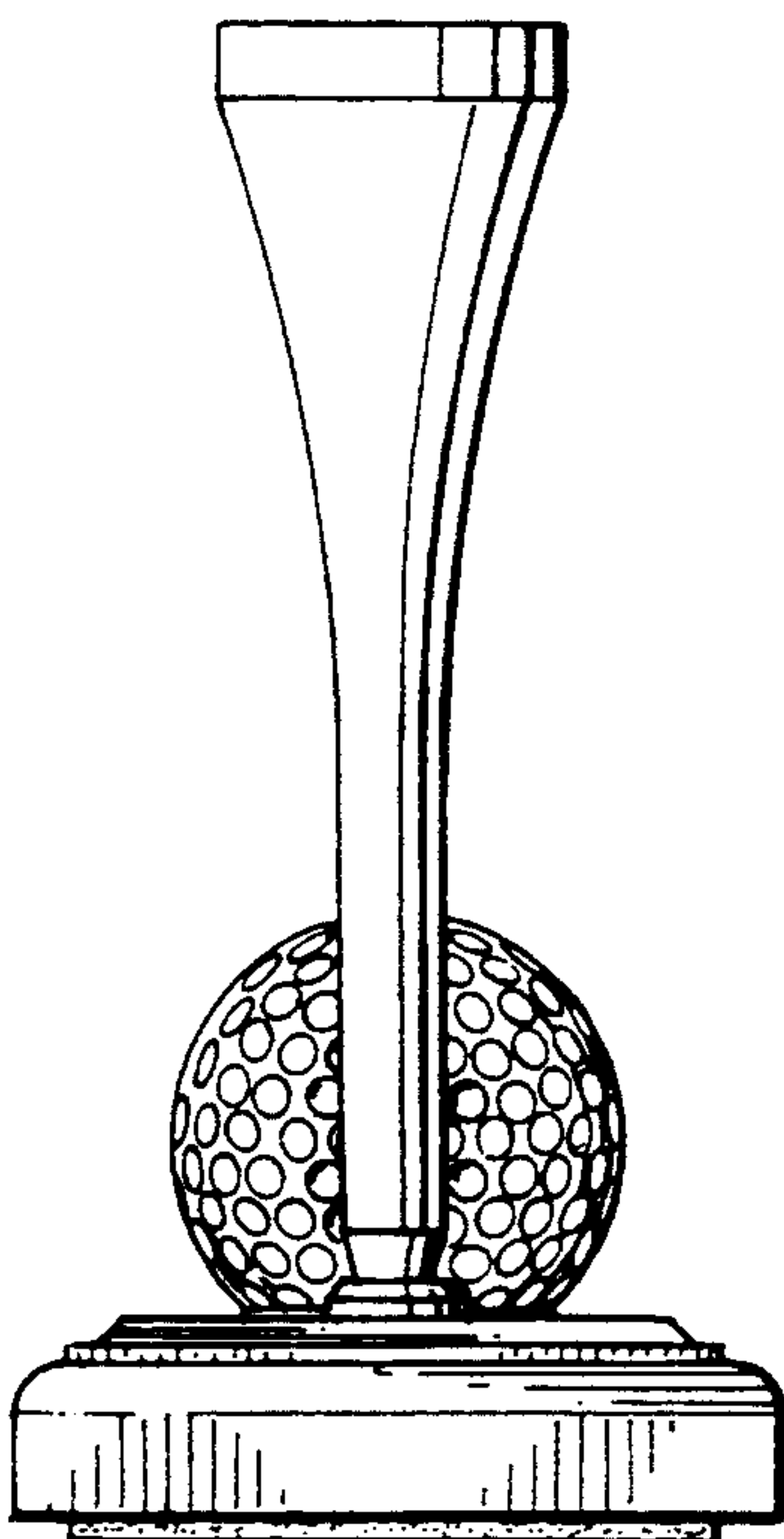


FIG. 10

