



US00D352067S

United States Patent [19]

[11] Patent Number: **Des. 352,067**

Mund et al.

[45] Date of Patent: **** Nov. 1, 1994**

[54] **ORGANIZER TRAY**

[75] Inventors: **John W. Mund**, Fox Lake, Wis.; **Cari Burns**; **Robert Chieda**, both of Wheaton; **Leon C. Clouser, Jr.**, Lombard; **Robert A. O'Neil**, Glen Ellyn, all of Ill.

[73] Assignee: **Sterling Plastics Co.**, Madison, Wis.

[**] Term: **14 Years**

[21] Appl. No.: **9,830**

[22] Filed: **Jun. 22, 1993**

[52] U.S. Cl. **D19/75; D19/77; D19/92**

[58] Field of Search 206/214, 215, 224, 371; 211/10, 11, 13, 45, 50, 126; D19/65, 75, 77, 78, 81-85, 86, 92, 95, 99, 100

[56] **References Cited**

U.S. PATENT DOCUMENTS

D. 148,455	1/1948	Bleich et al.	D19/92
D. 245,783	9/1977	Fieni	D19/75
D. 252,935	9/1979	Henkels	D19/77
D. 259,794	7/1981	Henkels	D19/84 X
D. 301,898	6/1989	Galvez	D19/75
D. 331,942	12/1992	Kirchner	D19/78
D. 335,895	5/1993	Chan	D19/77 X

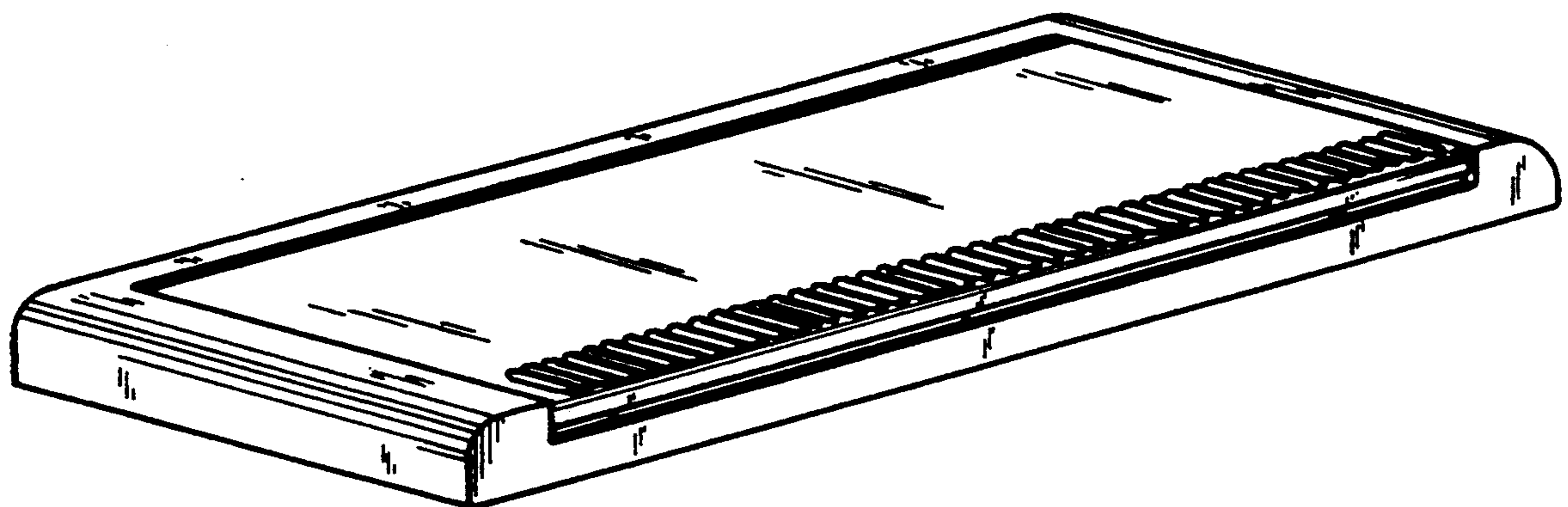
Primary Examiner—Martie Thompson
Attorney, Agent, or Firm—Foley & Lardner

[57] **CLAIM**

The ornamental design for an organizer tray, as shown and described.

DESCRIPTION

FIG. 1 is a perspective view of an organizer tray showing our new design;
FIG. 2 is a top plan view thereof;
FIG. 3 is a front view thereof;
FIG. 4 is a rear view thereof;
FIG. 5 is a bottom view thereof; and,
FIG. 6 is a side view thereof as seen from the left or the right of FIG. 2.



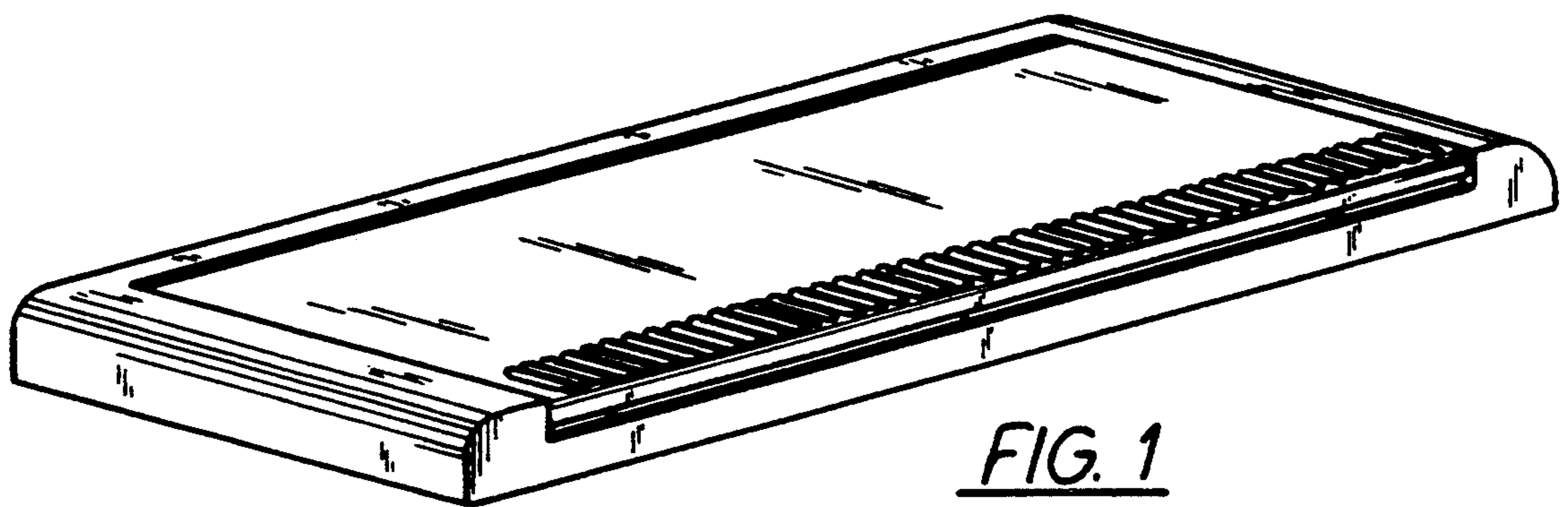


FIG. 1



FIG. 6



FIG. 4

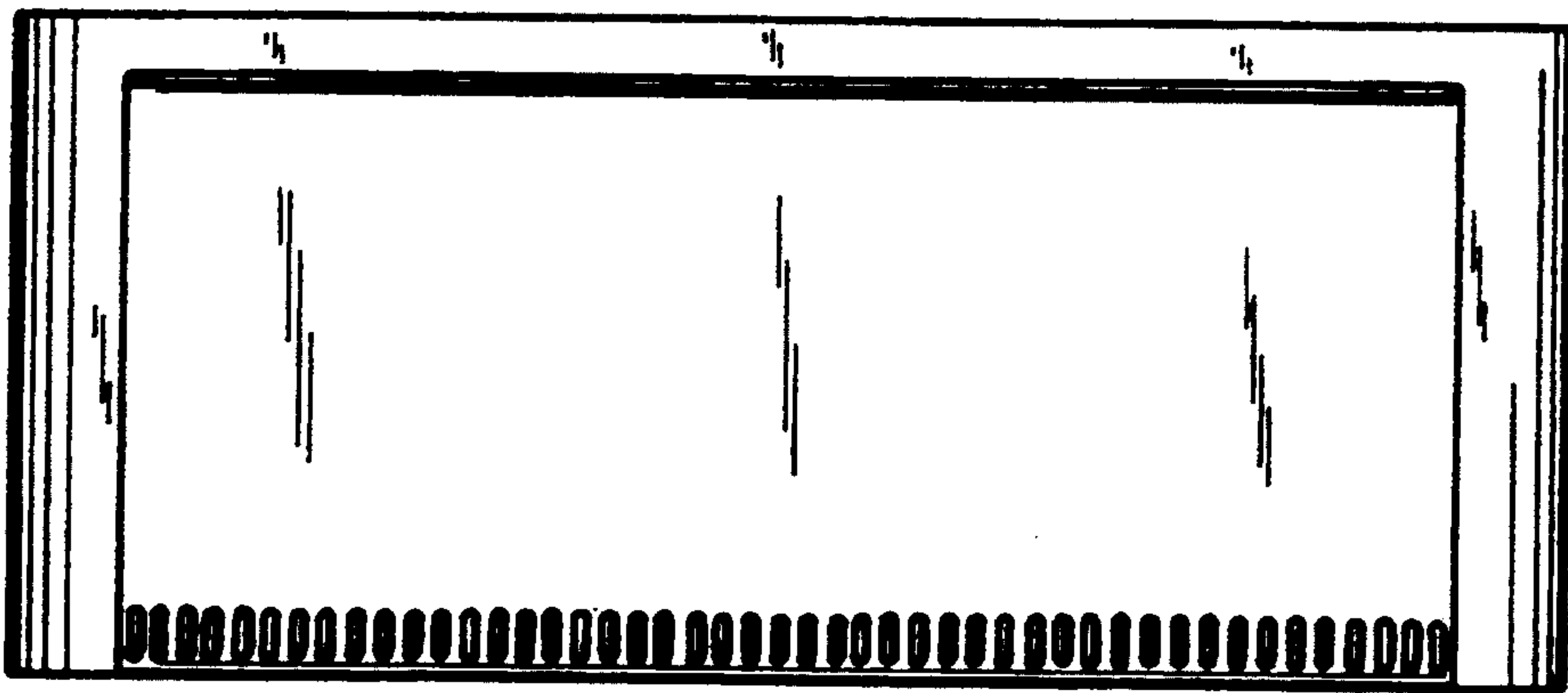


FIG. 2

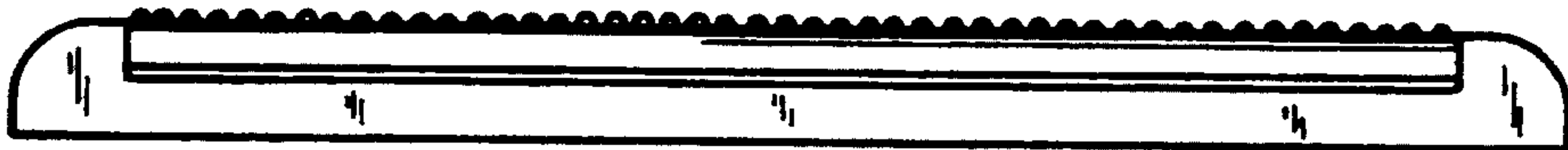


FIG. 3

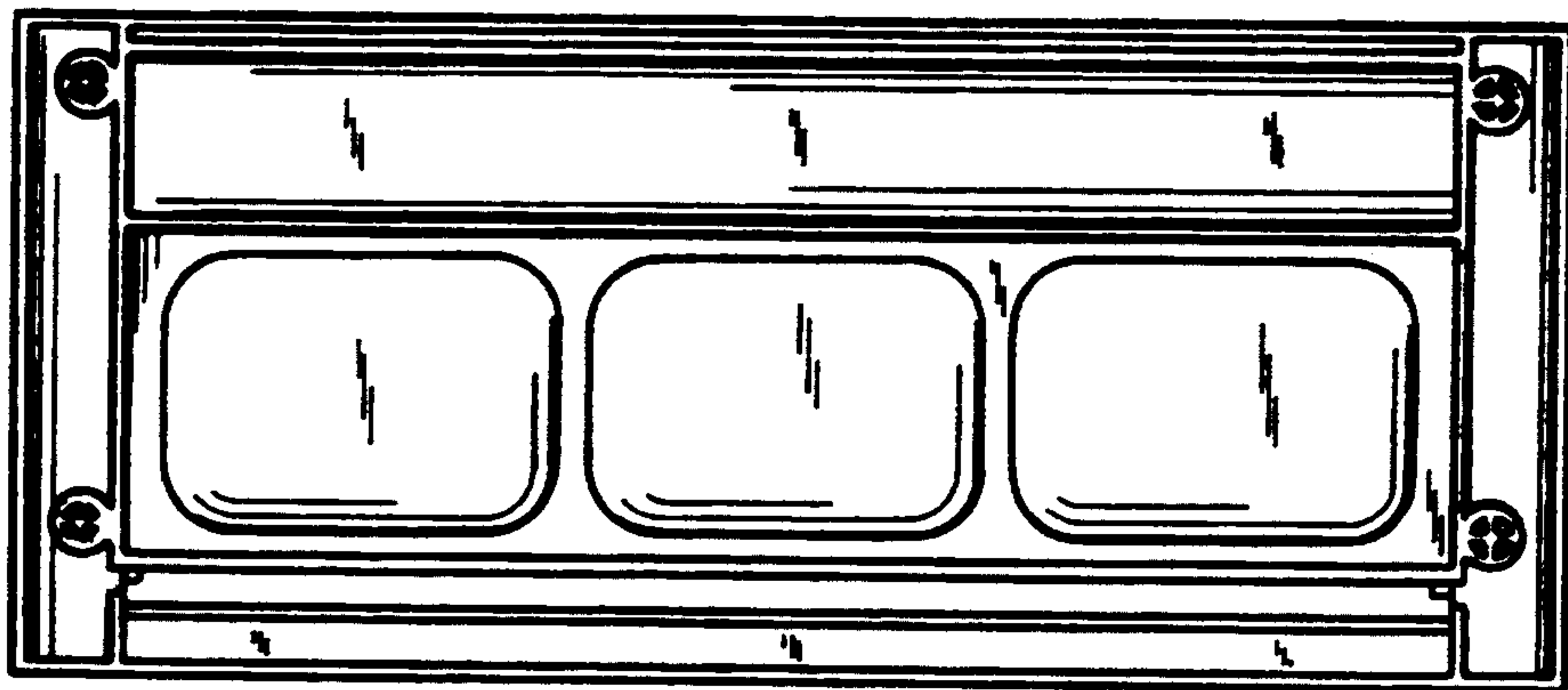


FIG. 5