



US00D352058S

# United States Patent [19]

[11] Patent Number: **Des. 352,058**

**Kubota et al.**

[45] Date of Patent: **\*\* Nov. 1, 1994**

[54] **PRINTING HEAD BODY FOR PRINTER**

[75] Inventors: **Hidemi Kubota**, Komae; **Toshihiko Ujita**, Yamato; **Kenjiro Watanabe**, Tokyo; **Torachika Osada**, Yokohama; **Koji Yamakawa**, Komae; **Kazuhiro Nakajima**, Yokohama; **Keiichiro Tsukuda**, Kawasaki; **Yasuo Kotaki**, Yokohama; **Yohei Sato**, Yokohama; **Masanori Takenouchi**, Yokohama, all of Japan

[73] Assignee: **Canon Kabushiki Kaisha**, Tokyo, Japan

[\*\*] Term: **14 Years**

[21] Appl. No.: **10,006**

[22] Filed: **Jun. 28, 1993**

[30] **Foreign Application Priority Data**

Dec. 29, 1992 [JP] Japan ..... 4-38901  
[52] U.S. Cl. .... **D18/56**  
[58] Field of Search ..... 346/140 R; 400/208; D18/56, 12

[56] **References Cited**

**U.S. PATENT DOCUMENTS**

D. 313,427 1/1991 Saeki ..... D18/56

D. 325,743 4/1992 Kojima et al. .... D18/56  
D. 326,111 5/1992 Otsuka et al. .... D18/56  
D. 338,234 8/1993 Watanabe et al. .... D18/56  
D. 338,235 8/1993 Komada et al. .... D18/56  
D. 338,489 8/1993 Ujita et al. .... D18/56  
D. 338,911 8/1993 Ujita et al. .... D18/56  
5,189,443 2/1993 Arashima et al. .... 346/140 R  
5,199,470 4/1993 Goldman ..... D18/56  
5,278,584 1/1994 Keefe et al. .... 346/140 R

**FOREIGN PATENT DOCUMENTS**

495491 7/1992 European Pat. Off. .... 346/140 R  
4369557 12/1992 Japan ..... 346/140 R

*Primary Examiner*—Cathy Anne MacCormac  
*Attorney, Agent, or Firm*—Fitzpatrick, Cella, Harper & Scinto

[57] **CLAIM**

The ornamental design for a printing head body for printer, as shown and described.

**DESCRIPTION**

FIG. 1 is a front elevational view of a printing head body for printer showing our new design; FIG. 2 is a rear elevational view thereof; FIG. 3 is a top plan view thereof; FIG. 4 is a bottom plan view thereof; FIG. 5 is a left side elevational view thereof; FIG. 6 is a right side elevational view thereof; and, FIG. 7 is a perspective view thereof.

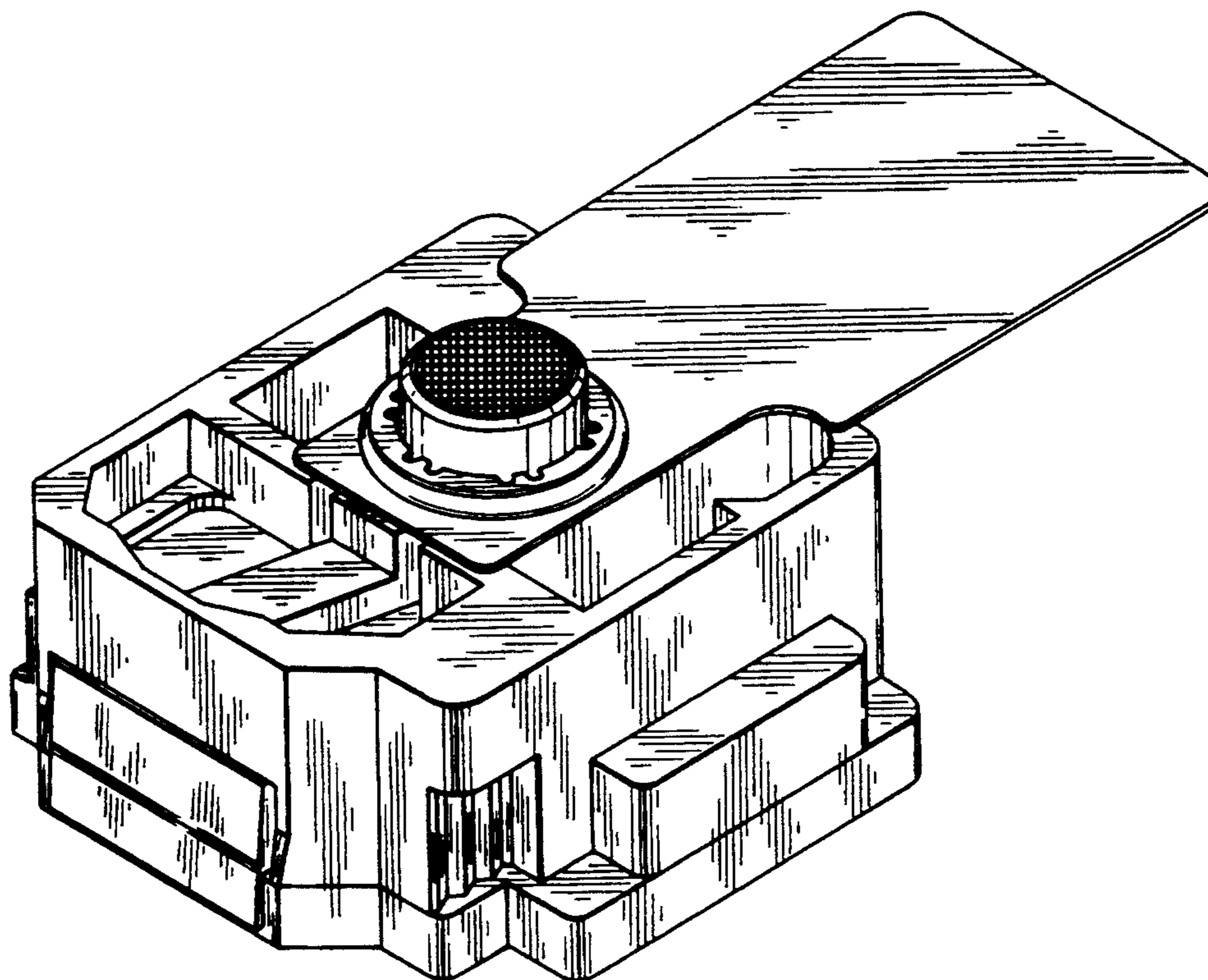


FIG. 1

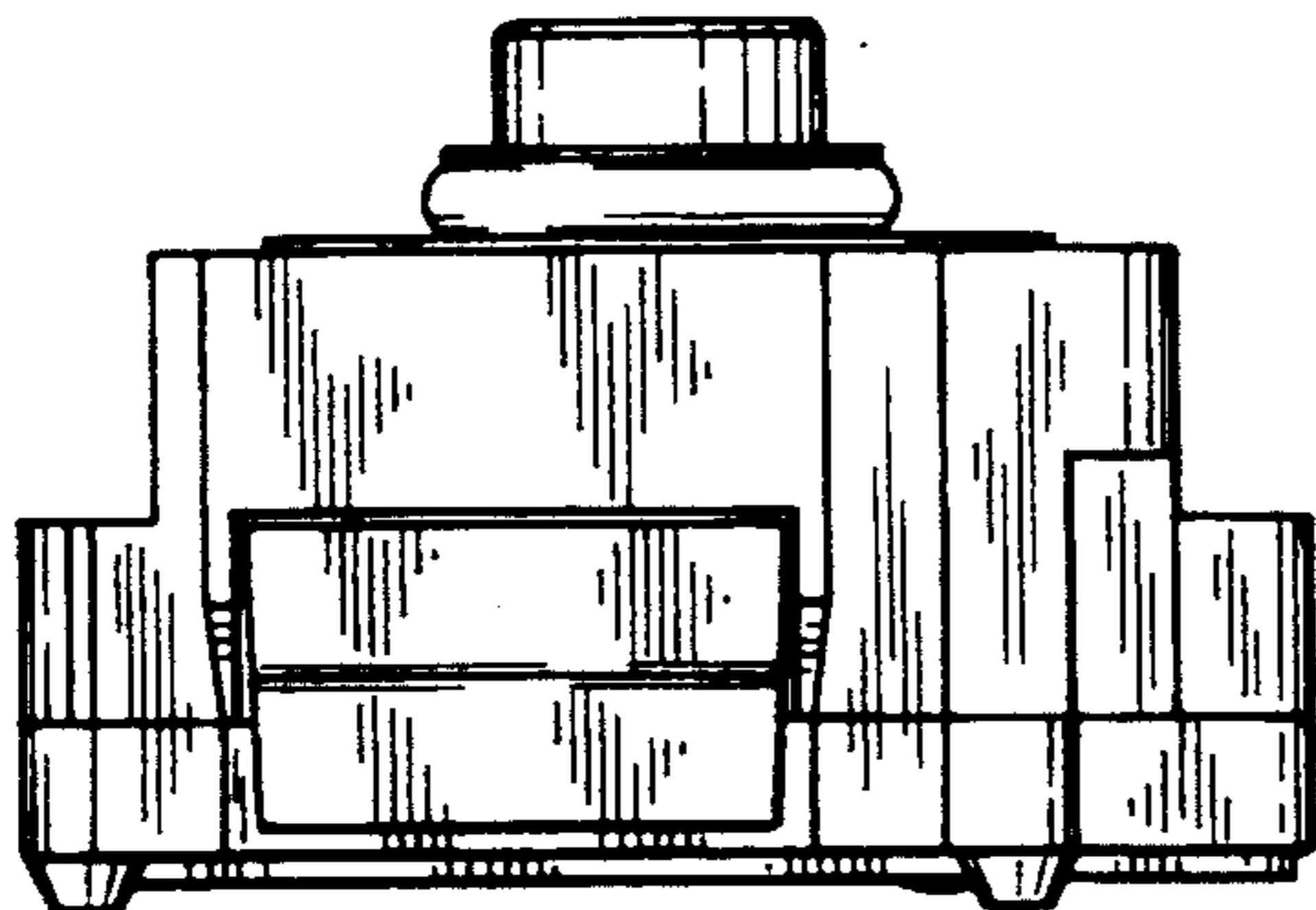


FIG. 2

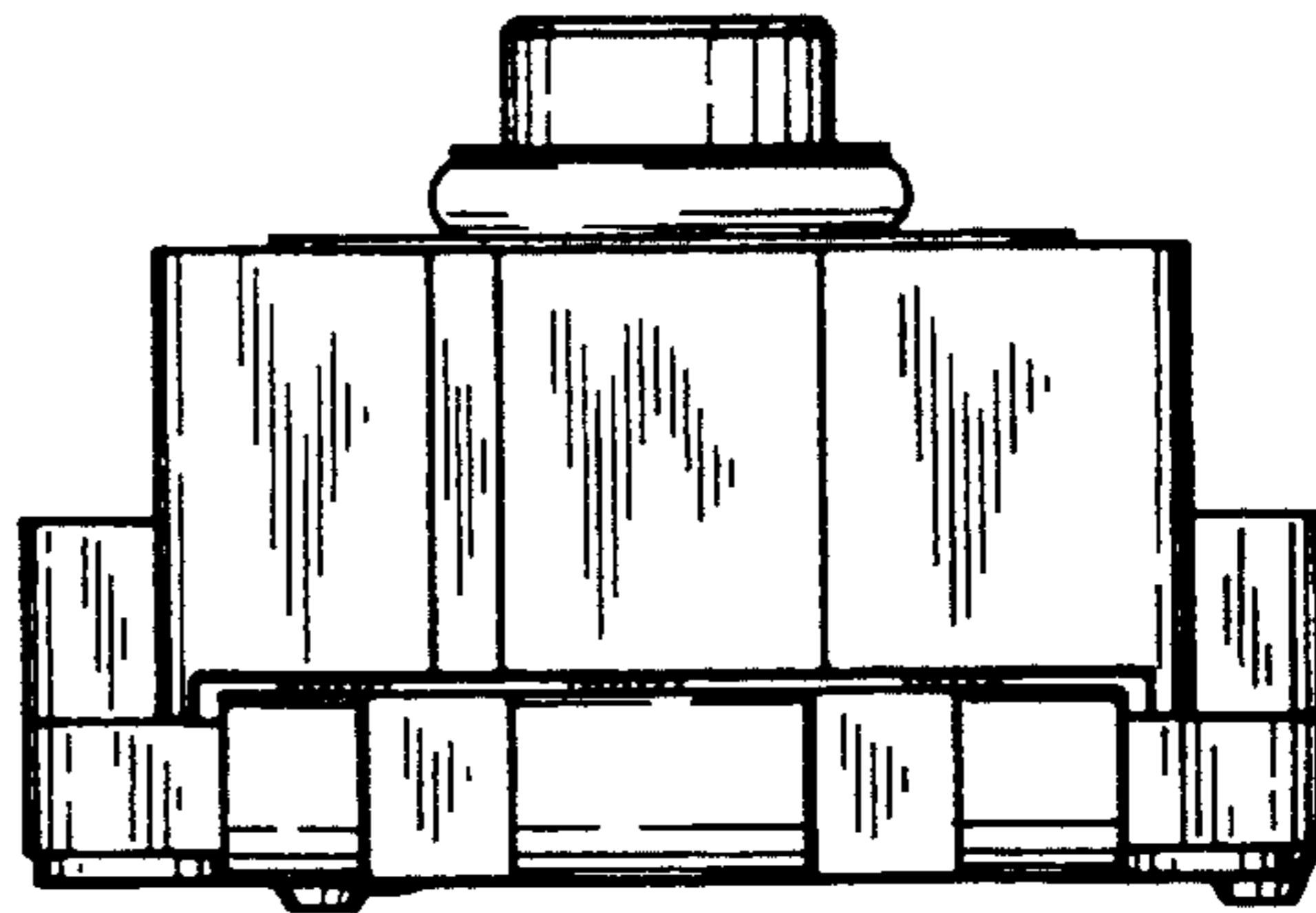


FIG. 3

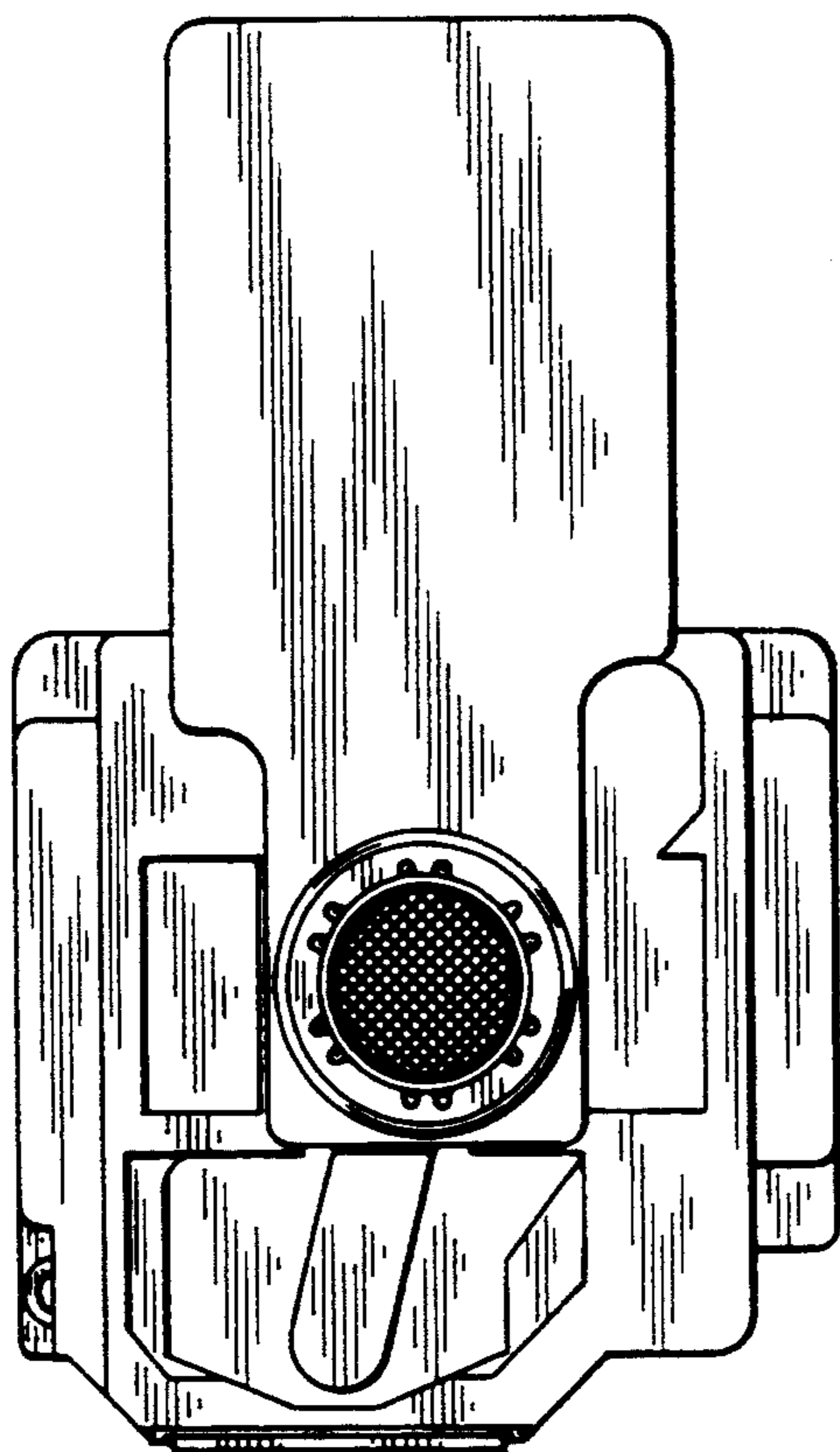


FIG. 4

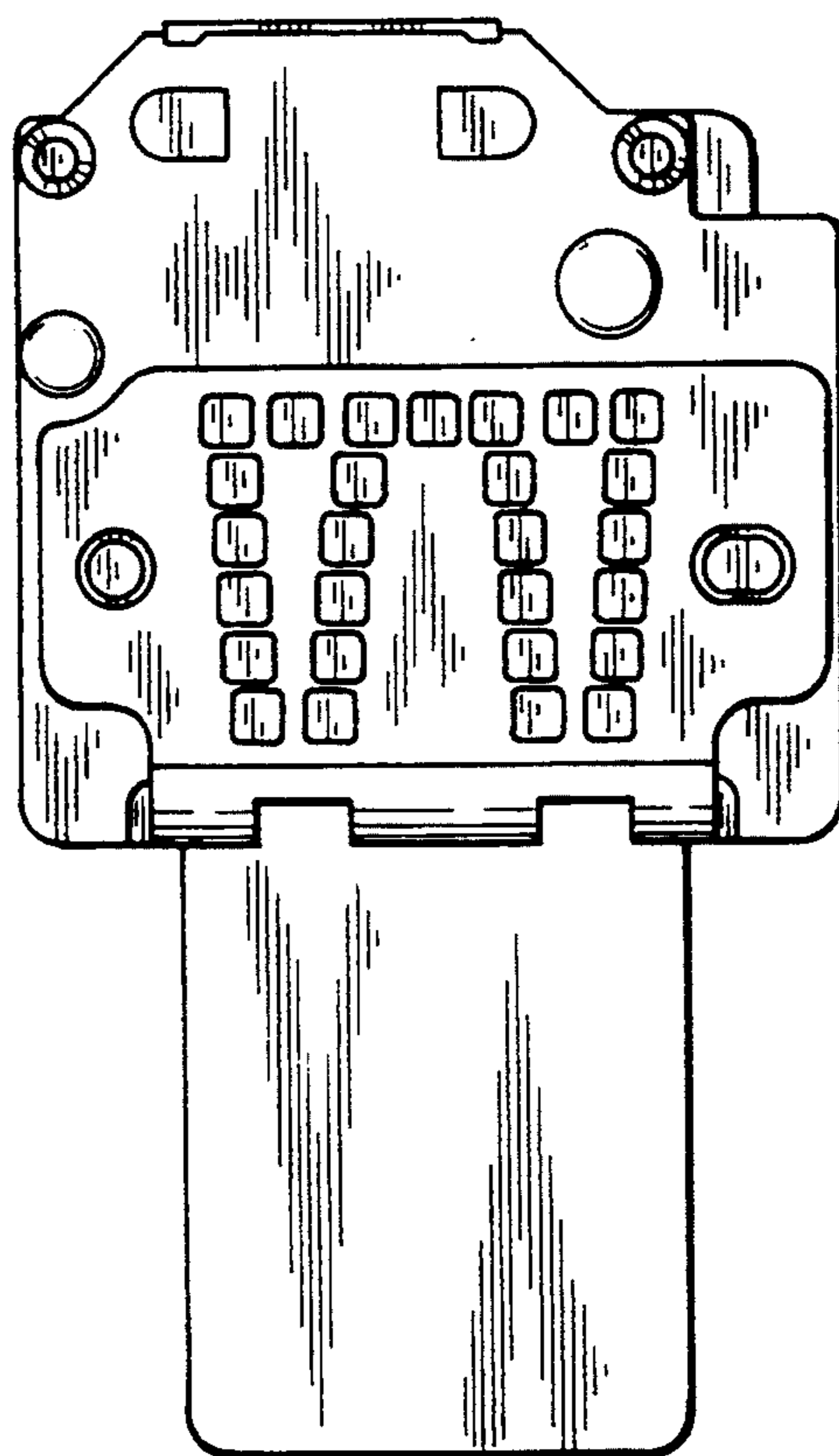


FIG. 5

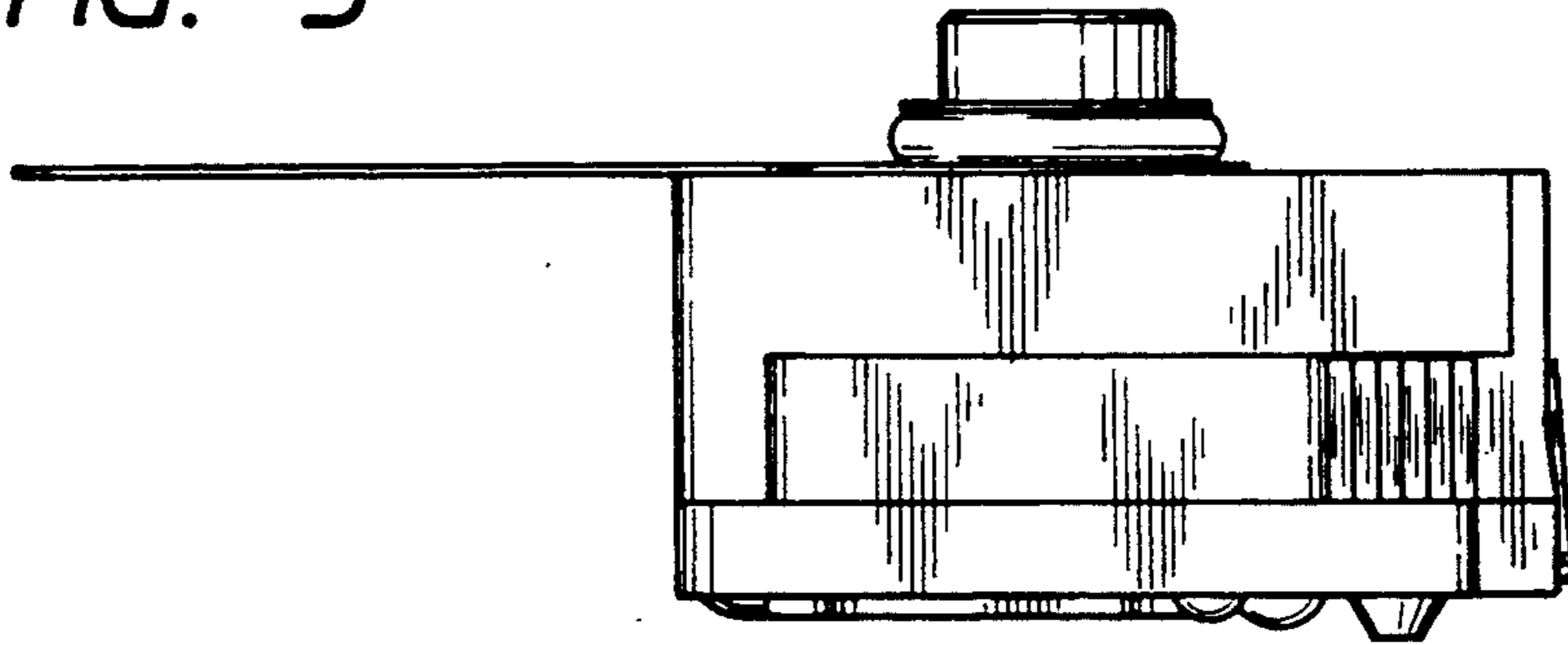


FIG. 6

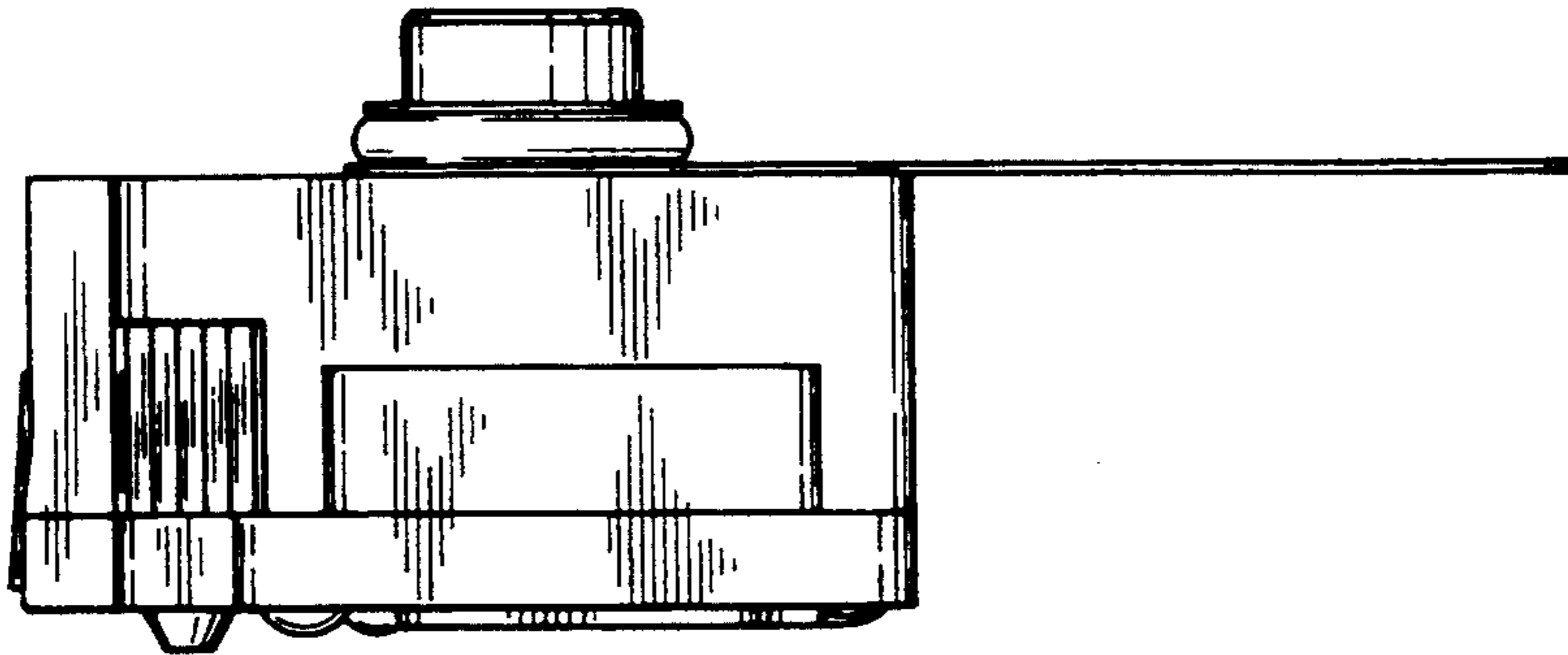
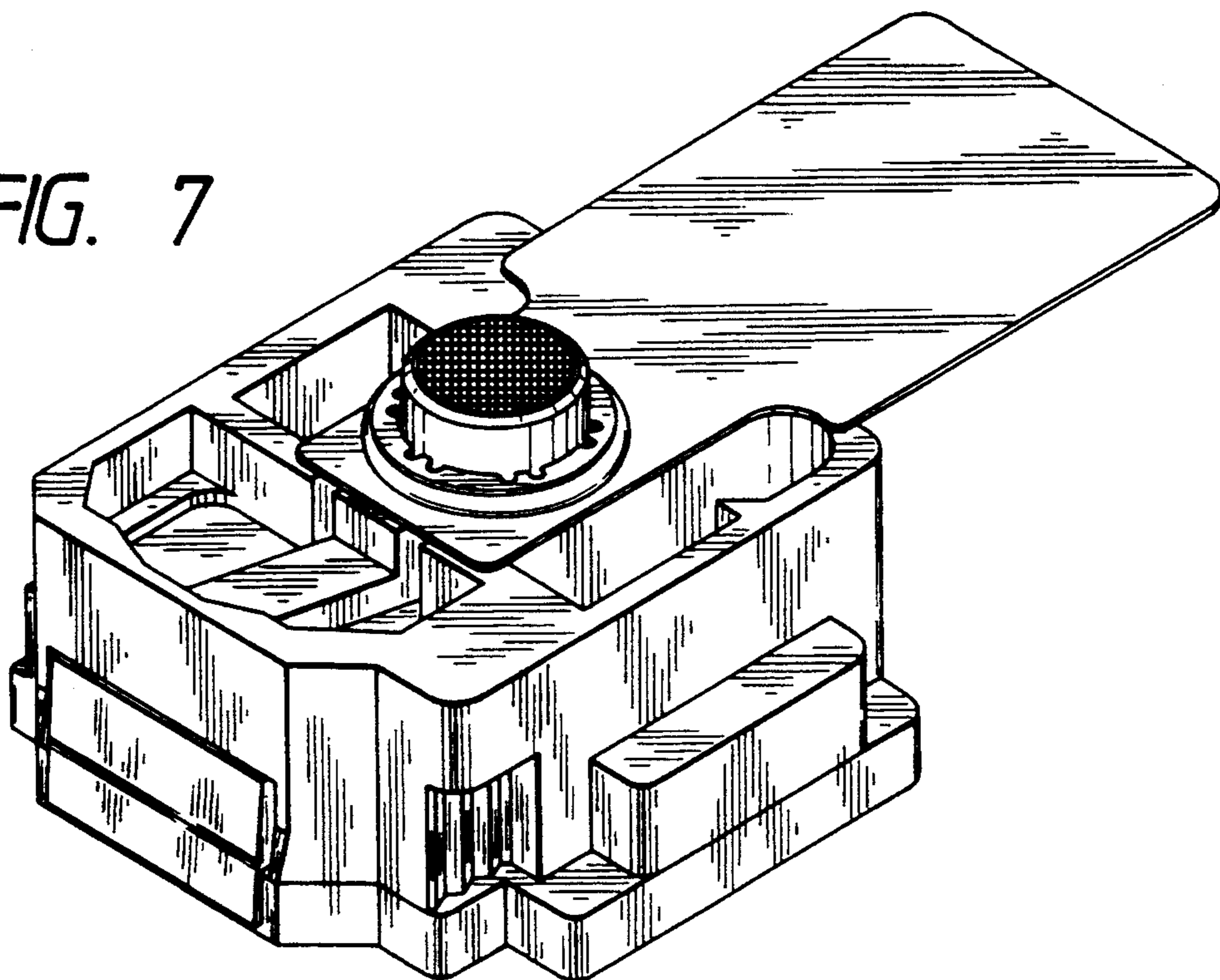


FIG. 7



UNITED STATES PATENT AND TRADEMARK OFFICE  
**CERTIFICATE OF CORRECTION**

PATENT NO. : D352,058

DATED : November 1, 1994

INVENTOR : HIDEKI KUBOTO, ET AL

It is certified that errors appear in the above-identified patent and that said Letters Patent is hereby corrected as shown below:

On the title page:

[56] References Cited

Foreign Patent Documents, "4369557 12/1992 Japan" should read --4-369557 12/1992 Japan--.

Signed and Sealed this  
Third Day of October, 1995

Attest:



BRUCE LEHMAN

Attesting Officer

Commissioner of Patents and Trademarks