



US00D352052S

United States Patent [19]

[11] Patent Number: **Des. 352,052**

Goddard et al.

[45] Date of Patent: **** Nov. 1, 1994**

[54] **CAMERA WITH FOLDING FLASH REFLECTOR**

Assistant Examiner—Adir Aronovich
Attorney, Agent, or Firm—Roger A. Fields

[75] Inventors: **William H. Goddard**, Hilton; **William E. Thomas**, Spencerport, both of N.Y.

[57] **CLAIM**

The ornamental design for a camera with a folding flash reflector, as shown and described.

[73] Assignee: **Eastman Kodak Company**, Rochester, N.Y.

DESCRIPTION

[**] Term: **14 Years**

[21] Appl. No.: **3,847**

[22] Filed: **Jan. 19, 1993**

[52] U.S. Cl. **D16/209**

[58] Field of Search 354/126, 152, 158, 187, 354/145.1, 149.11, 202, 288; D16/200, 208, 209, 211, 216-218

FIG. 1 is a top, front, left-side perspective view of a camera showing our new design, with a folding flash reflector in a closed folded position;
FIG. 2 is a bottom, rear, left-side perspective view thereof;
FIG. 3 is a front elevation view thereof;
FIG. 4 is a rear elevation view thereof;
FIG. 5 is a left-side elevation view thereof;
FIG. 6 is a right-side elevation view thereof;
FIG. 7 is a top plan view thereof;
FIG. 8 is a bottom plan view thereof;
FIG. 9 is a top, front, left-side perspective view thereof, with the folding flash reflector in an open unfolded position;
FIG. 10 is a bottom, rear, left-side perspective view thereof;
FIG. 11 is a front elevation view thereof;
FIG. 12 is a rear elevation view thereof;
FIG. 13 is a left-side elevation view thereof;
FIG. 14 is a top plan view thereof; and,
FIG. 15 is a bottom plan view thereof.

[56] **References Cited**

U.S. PATENT DOCUMENTS

D. 250,958	1/1979	Hansen	D16/209
D. 252,399	7/1979	Waaske	D16/211
D. 266,331	9/1982	Schultes et al.	D16/209
D. 307,916	5/1990	Leonard	D16/209
4,855,771	8/1989	Alligood et al.	354/149.11
4,903,058	2/1990	Schappler	354/145.1
5,276,474	1/1994	Dassero	354/149.11

Primary Examiner—Bernard Ansher

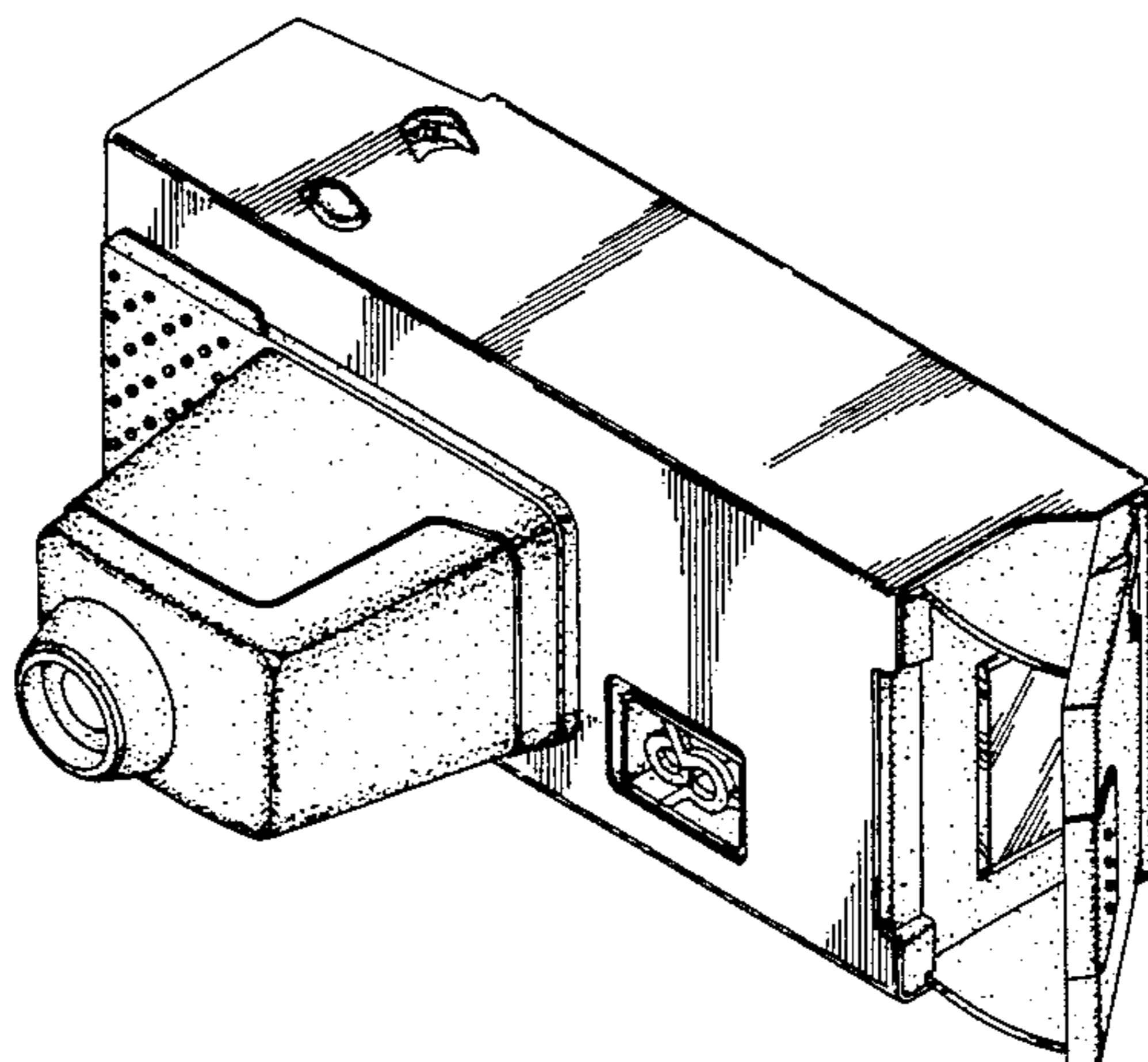
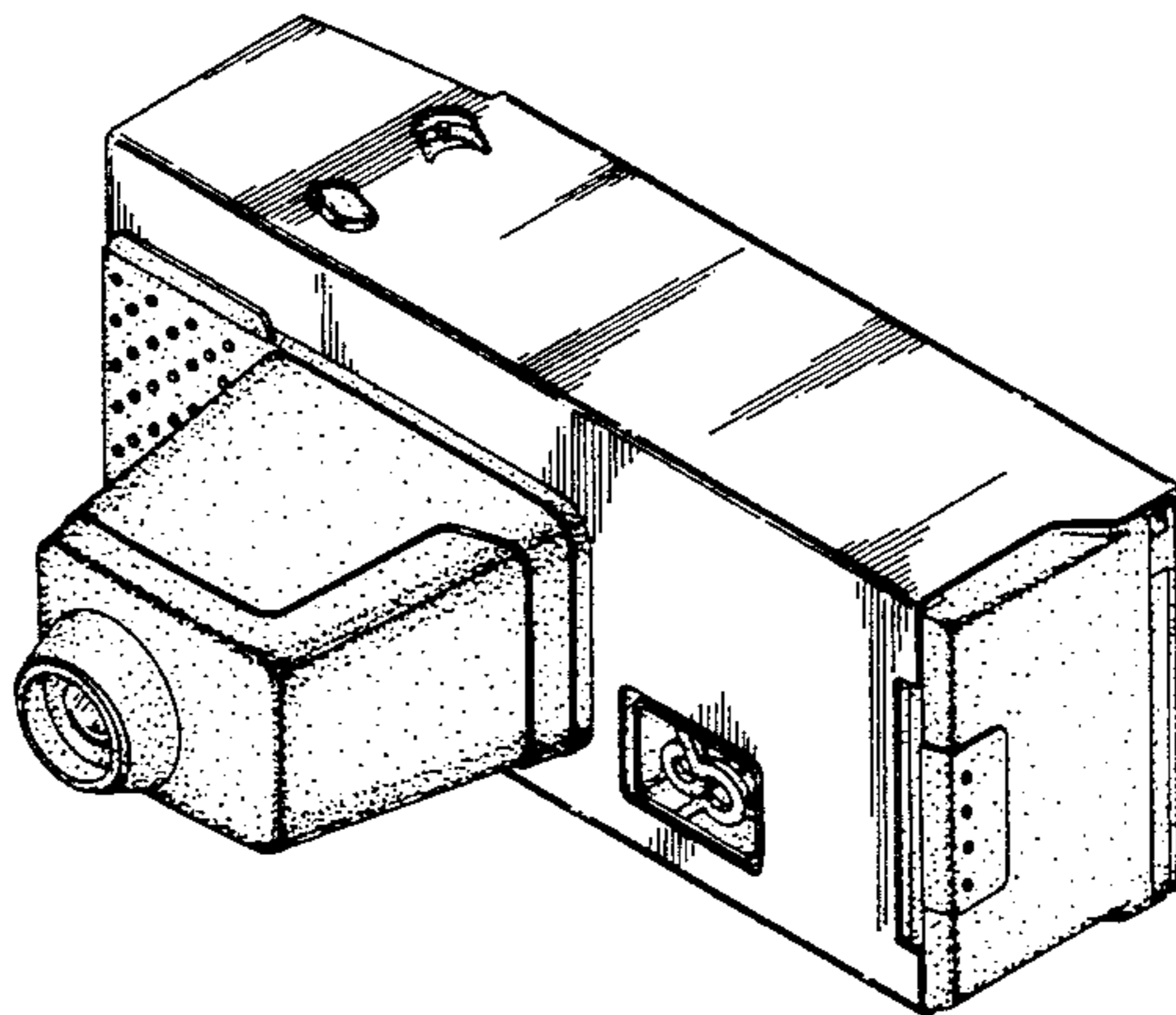
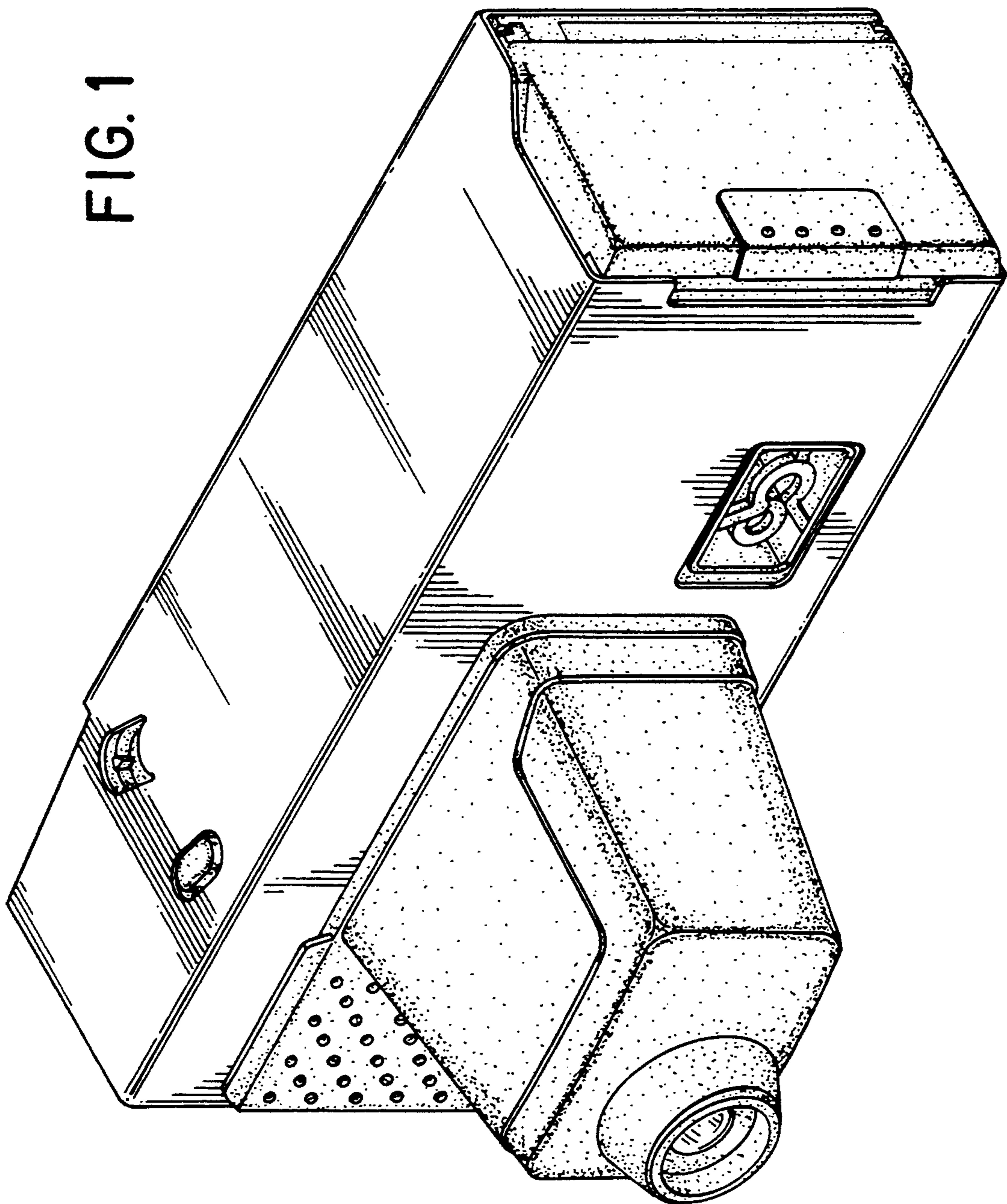


FIG. 1



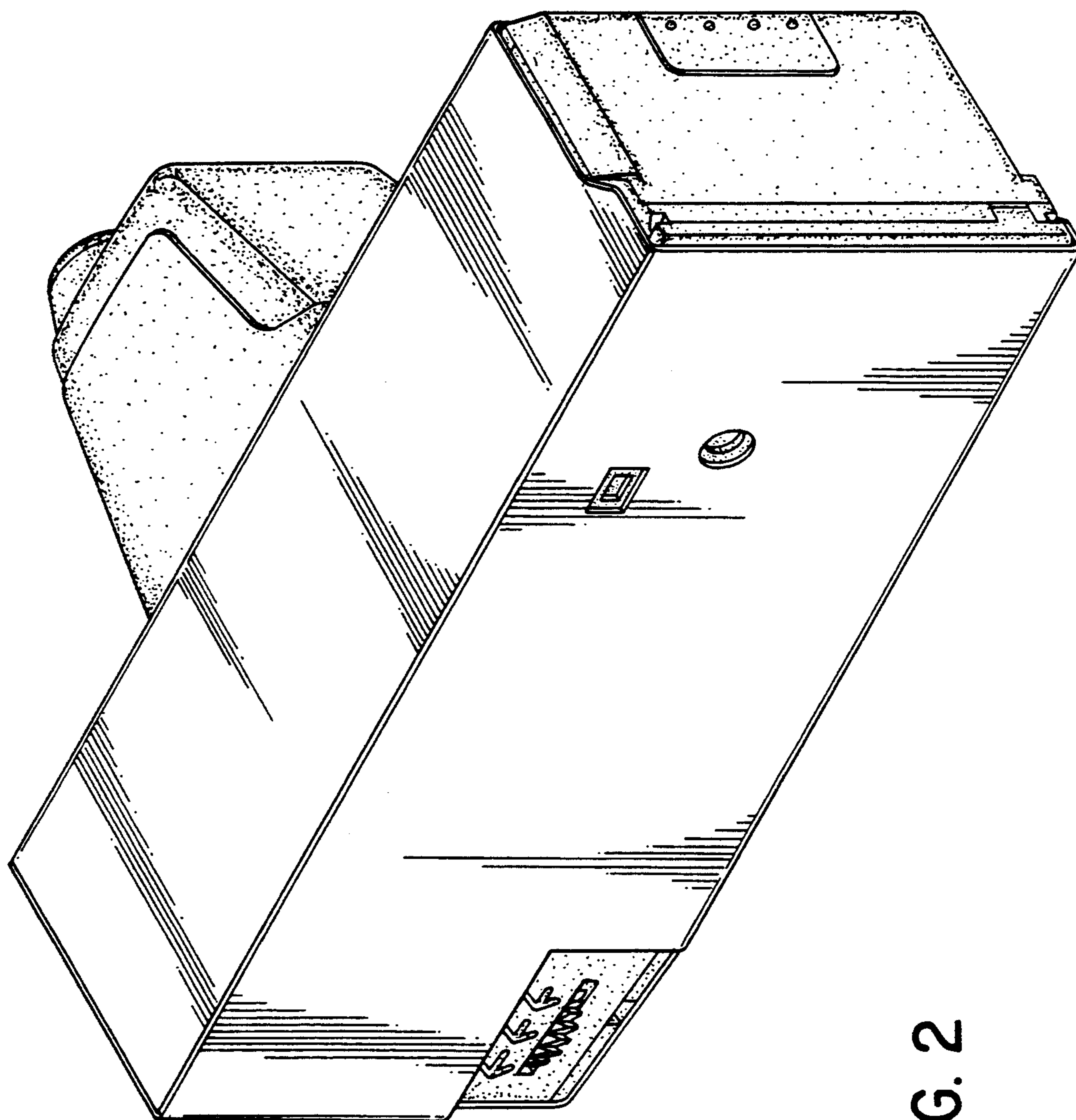


FIG. 2

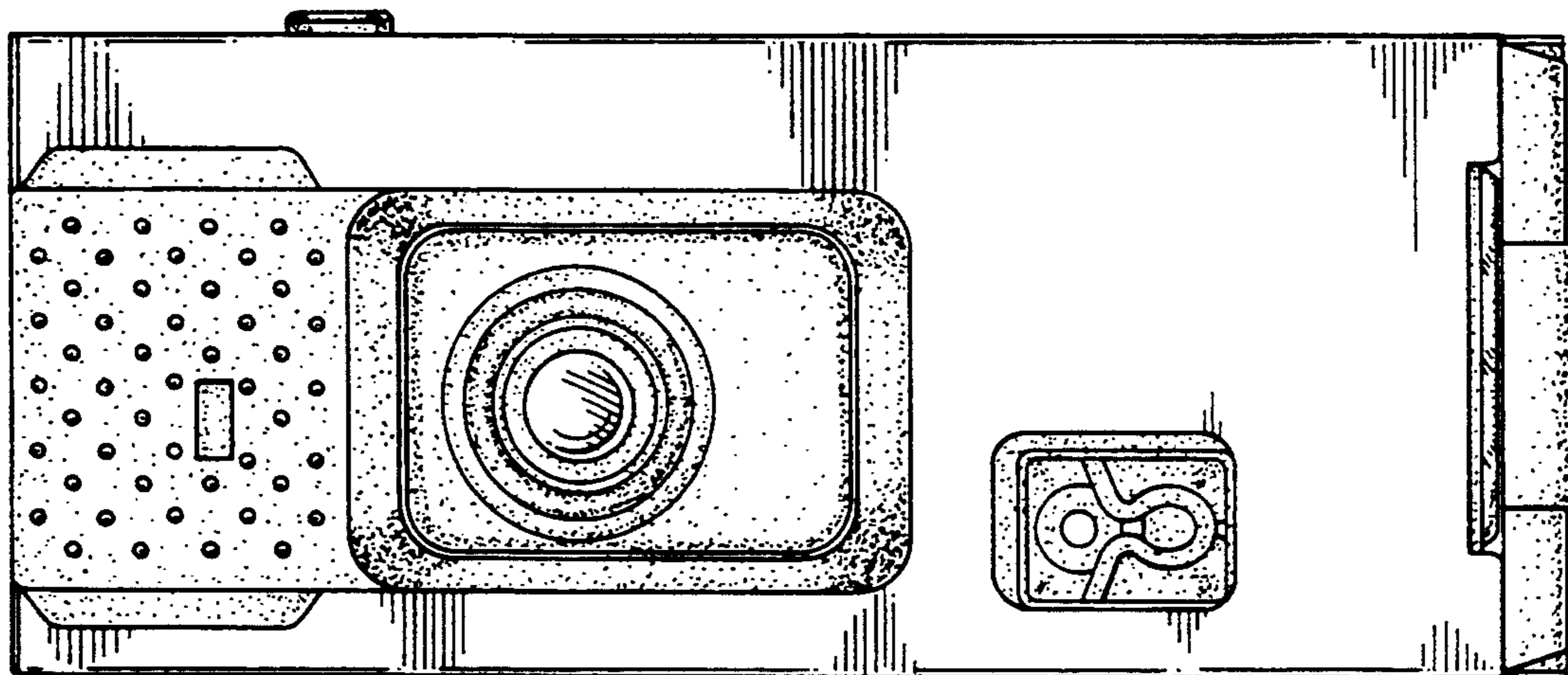


FIG. 3

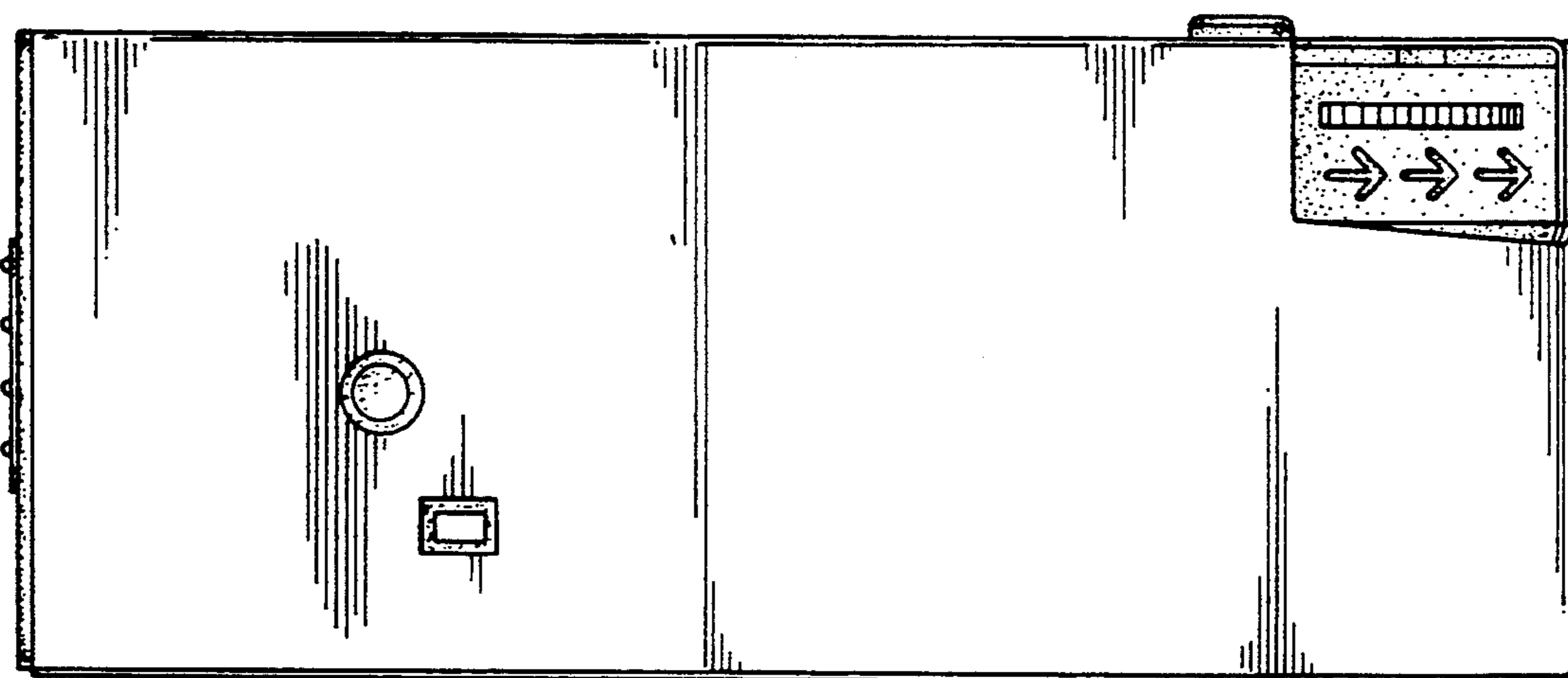


FIG. 4

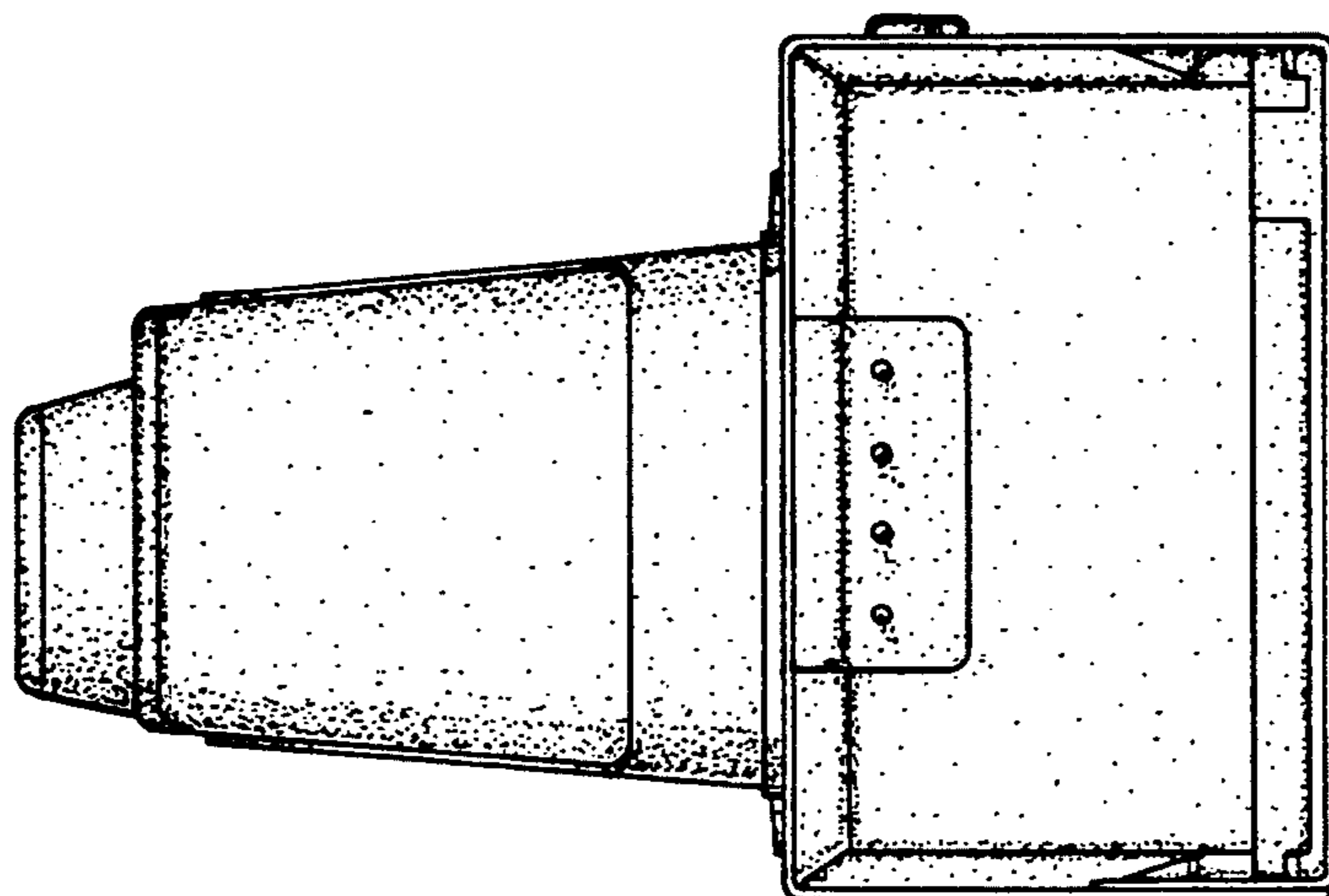


FIG. 5

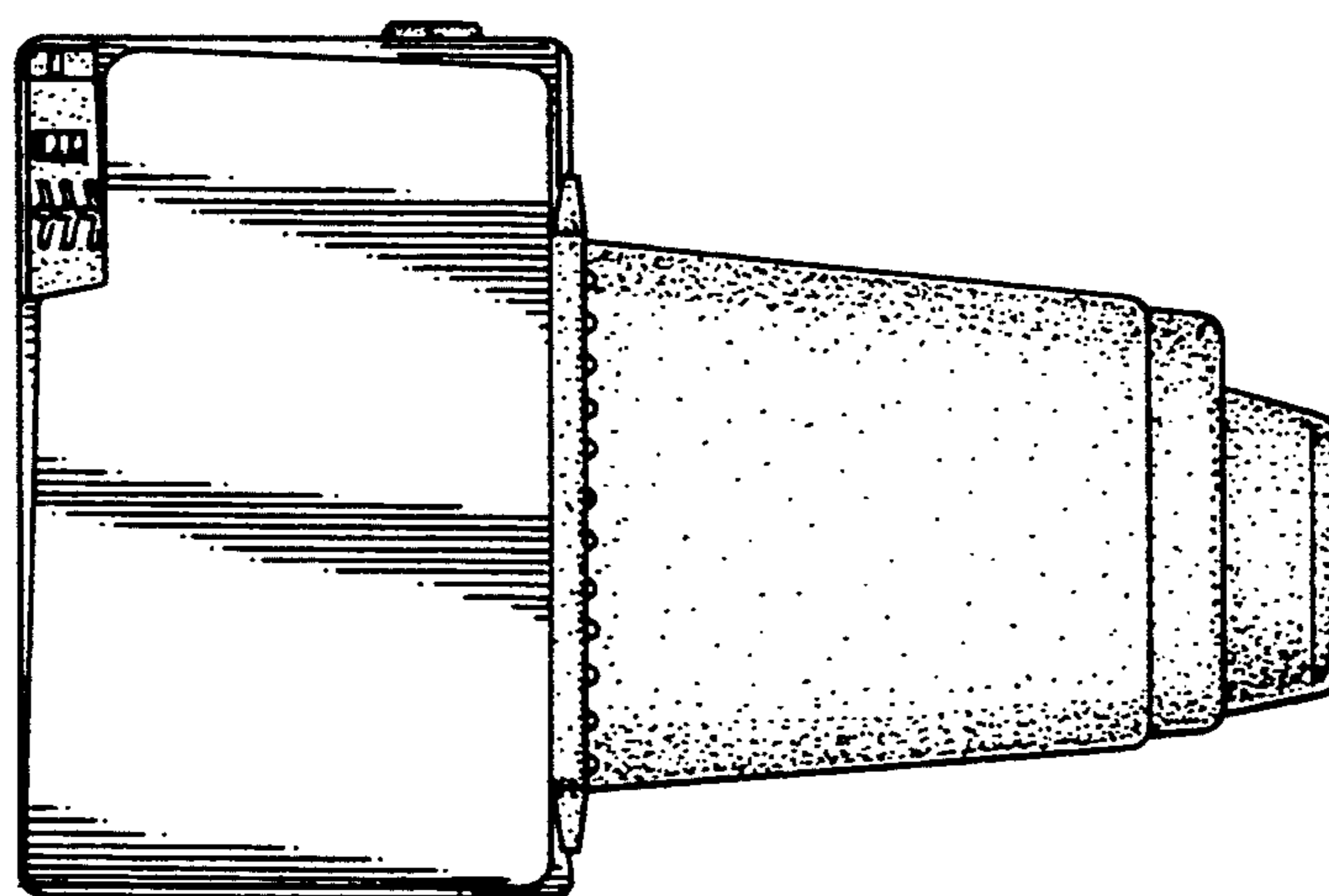


FIG. 6

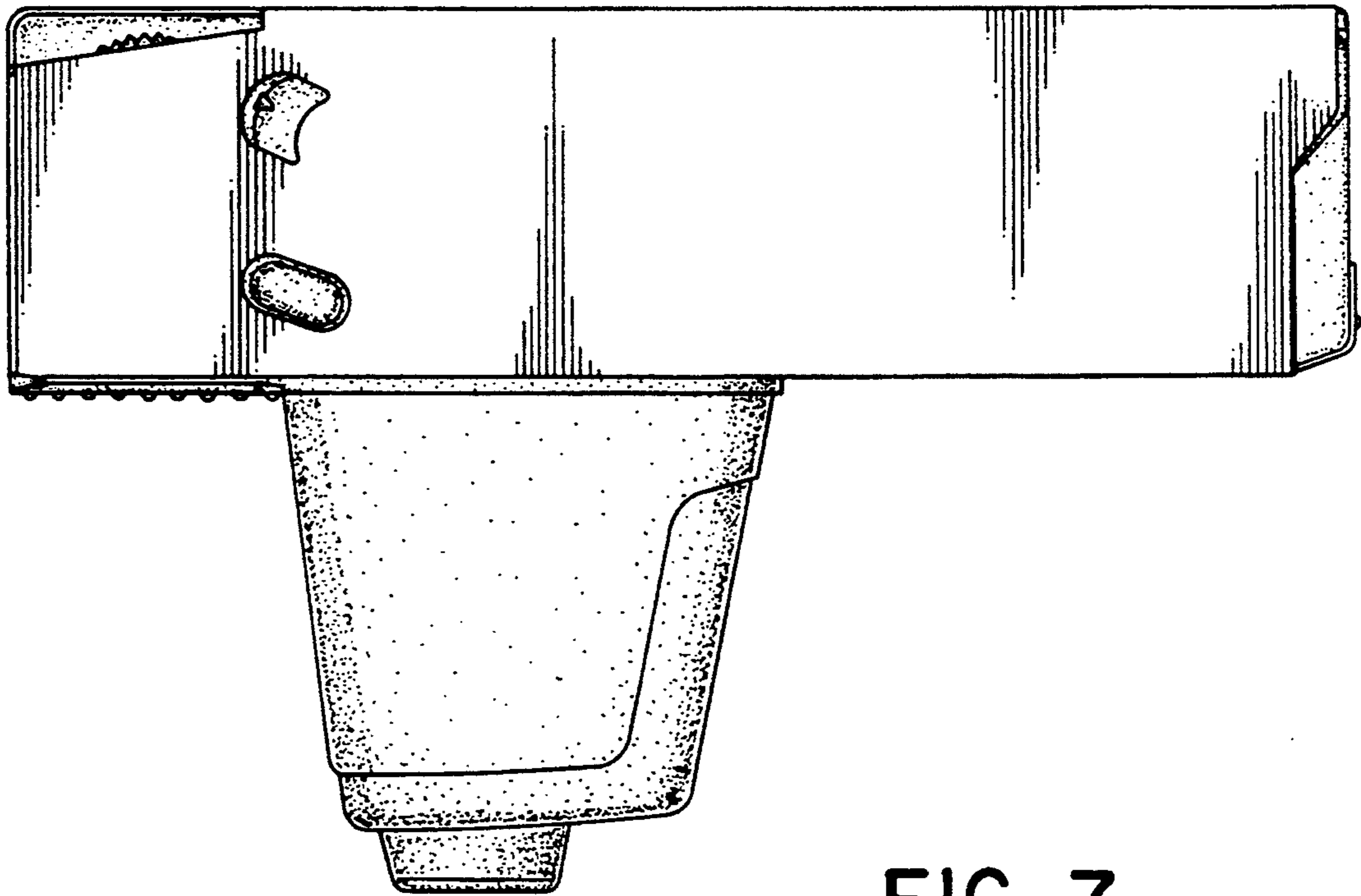


FIG. 7

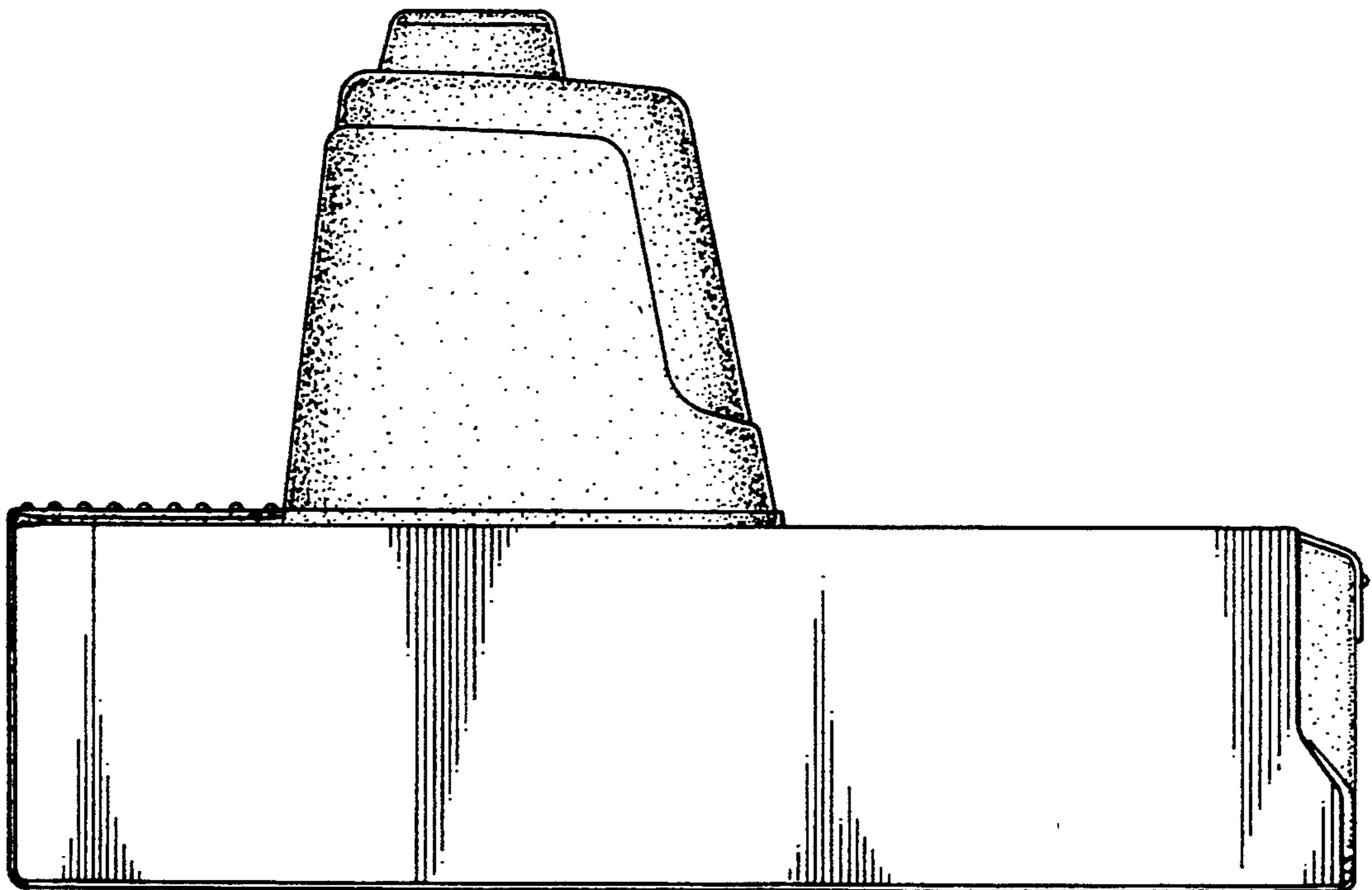
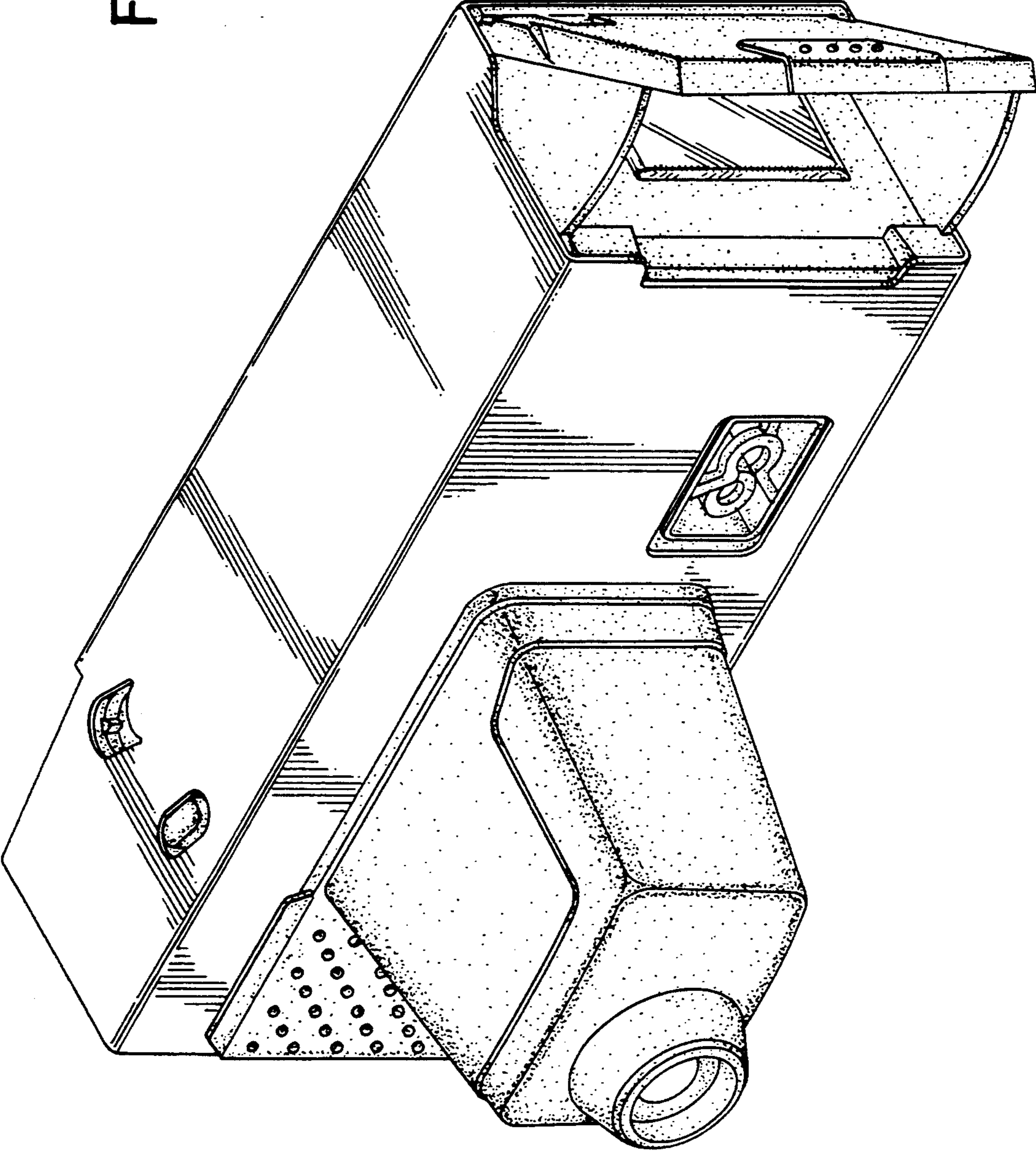


FIG. 8

FIG. 9



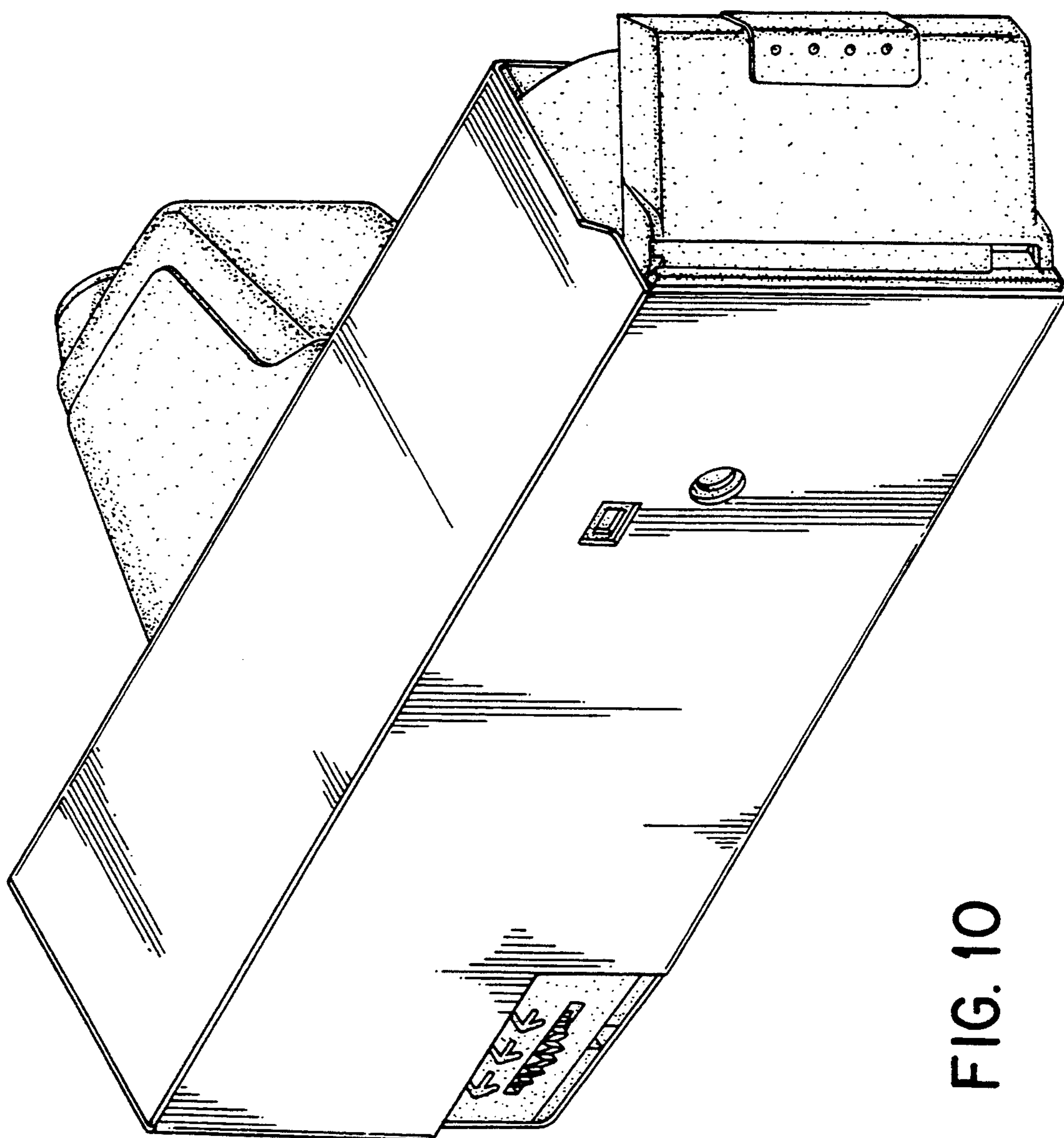


FIG. 10

FIG. 11

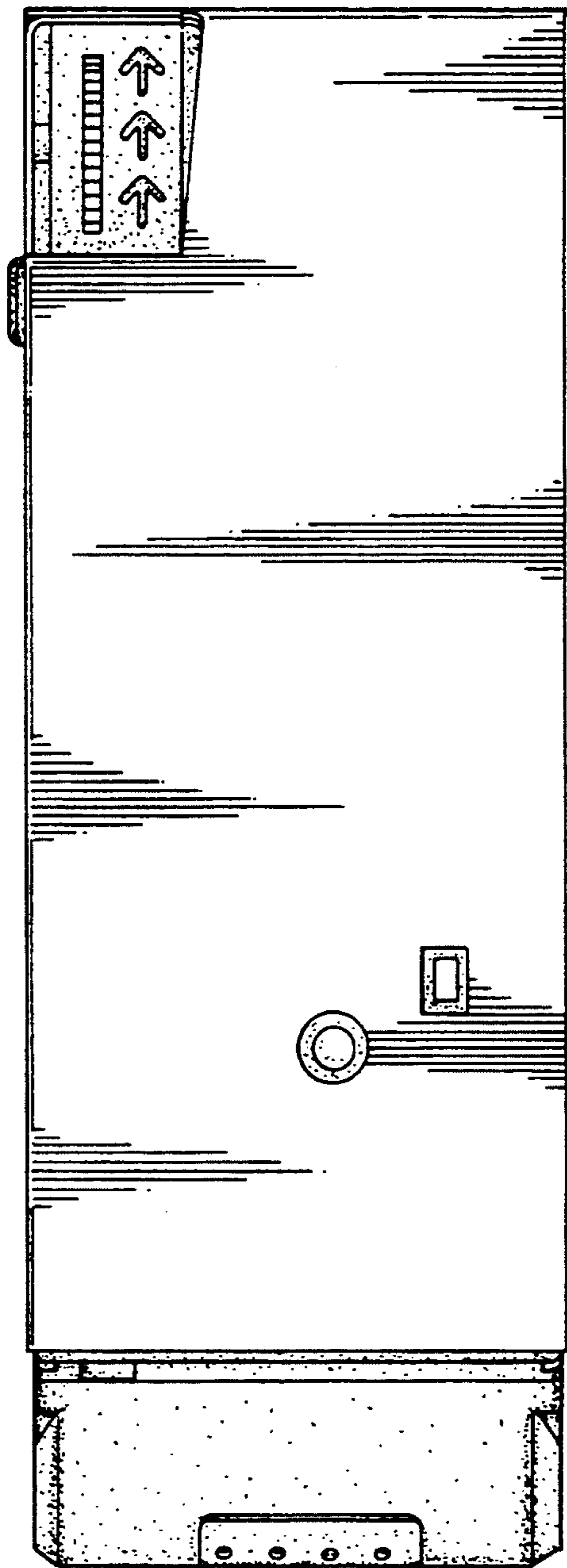
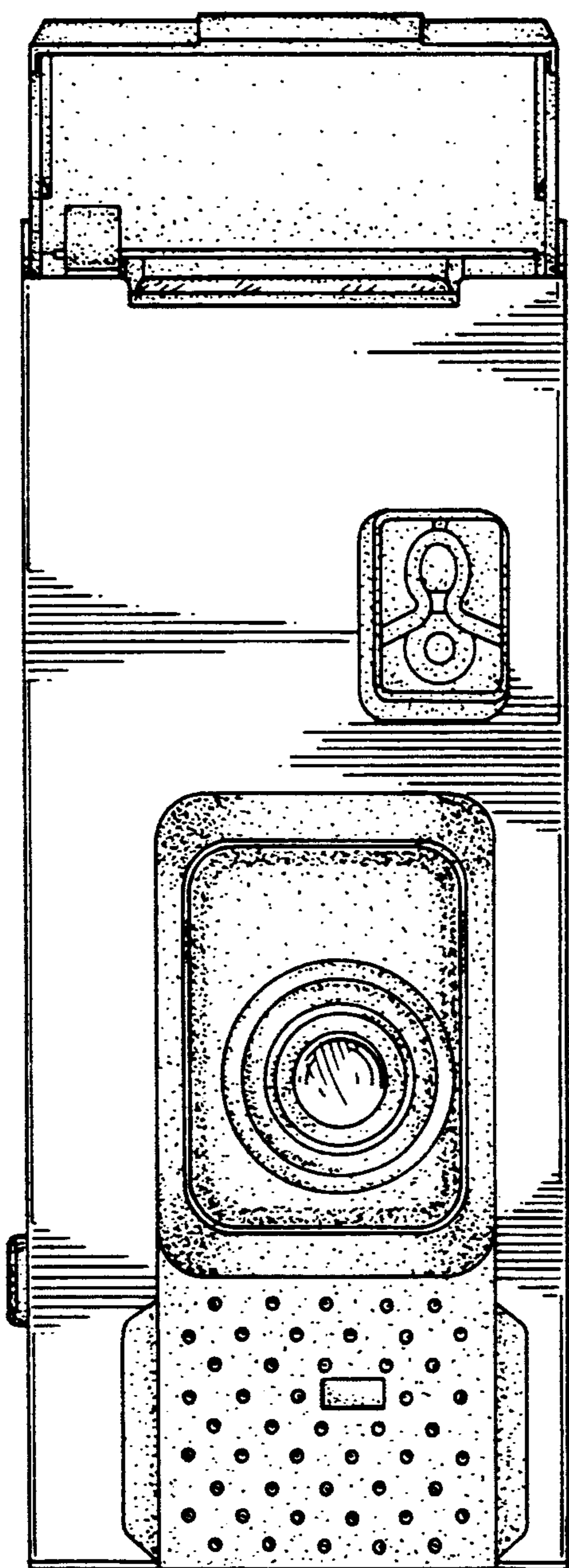


FIG. 12

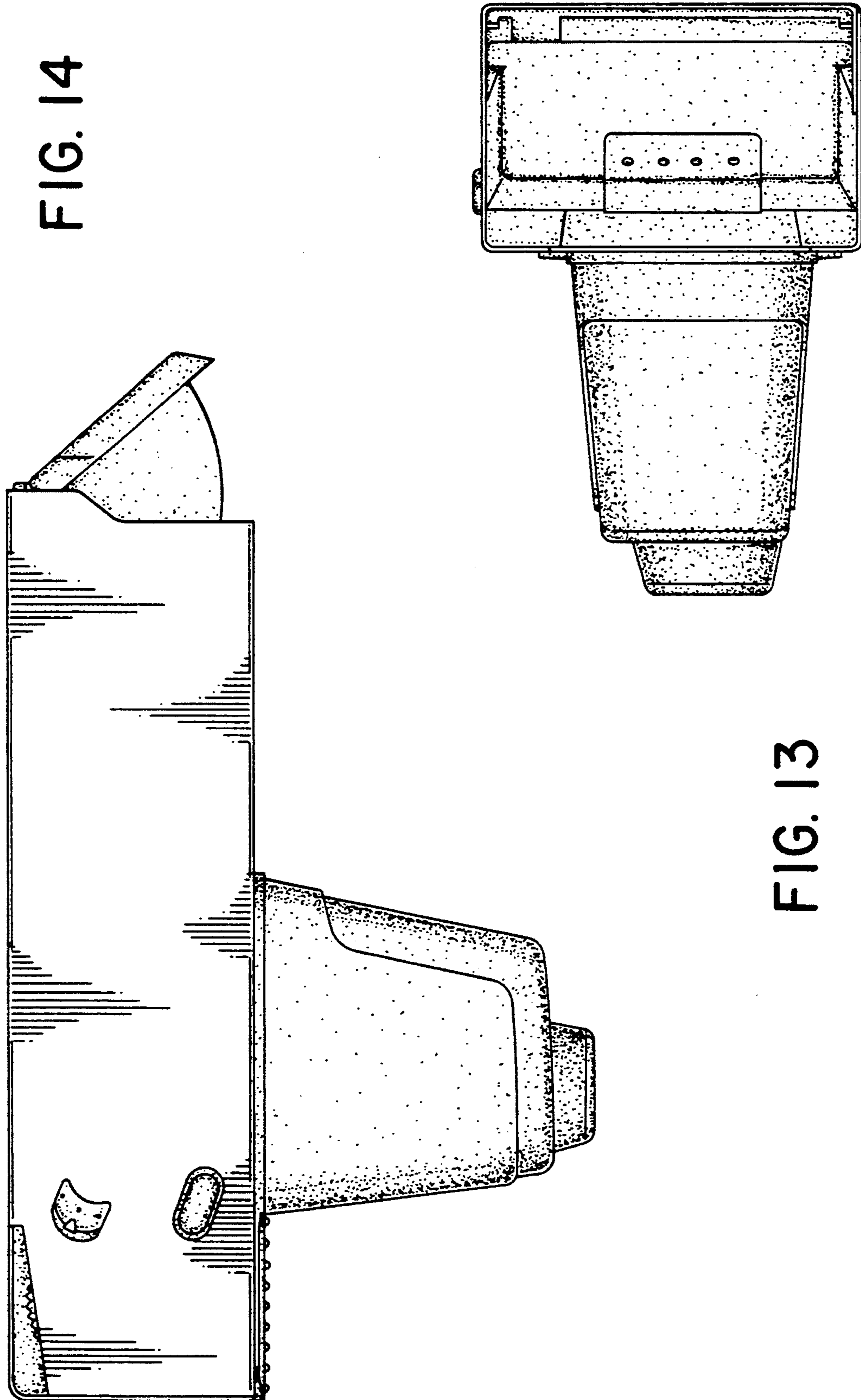


FIG. 14

FIG. 13

FIG. 15

