



US00D352051S

United States Patent [19]

Rodriguez

[11] Patent Number: **Des. 352,051**

[45] Date of Patent: **** Nov. 1, 1994**

[54] EYEGLASSES WITH BUILT-IN WATCH

4,867,551 9/1989 Perera 351/158

[76] Inventor: **Reuben Rodriguez**, 10720 Avenue J,
Chicago, Ill. 60617

Primary Examiner—Bernard Ansher
Assistant Examiner—R. Barkai
Attorney, Agent, or Firm—Basil E. Demeur; Alan B. Samlan

[**] Term: **14 Years**

[21] Appl. No.: **6,985**

[57] CLAIM

[22] Filed: **Apr. 12, 1993**

The ornamental design for the eyeglasses with built-in watch, as shown and described.

[52] U.S. Cl. **D16/309; D16/320**

[58] Field of Search 351/44, 51, 105, 111,
351/114, 116, 123, 158; 381/25, 68, 68.5;
368/10, 276-279; D16/102, 103, 107, 111, 112,
116, 119, 122, 125, 127; D29/6, 9; D10/2, 31

DESCRIPTION

[56] References Cited

U.S. PATENT DOCUMENTS

D. 231,260	4/1974	Jelinek	D16/111
D. 282,668	2/1986	Hass	D16/102
D. 326,672	6/1992	Berthet-Bondet	D16/102
D. 329,245	9/1992	Duvert	D16/102
3,664,734	5/1972	Rivoire	351/51
4,751,691	6/1988	Perera	351/158
4,806,011	2/1989	Bettinger	351/158

FIG. 1 is a perspective view for the novel design of eyeglasses with built-in watch, having the watch function facing inwardly toward the face of the user; FIG. 2 is a front elevational view of the eyeglasses with built-in watch showing the watch facing exteriorly of the eyeglasses; FIG. 3 is a top plan view of the eyeglasses with built-in watch design; FIG. 4 is a rear elevational view of the eyeglasses with built-in watch design showing the watch functions facing inwardly toward the face of the user; and, FIG. 5 is a side elevational view of the eyeglasses with built-in watch, the side opposite being a mirror image.

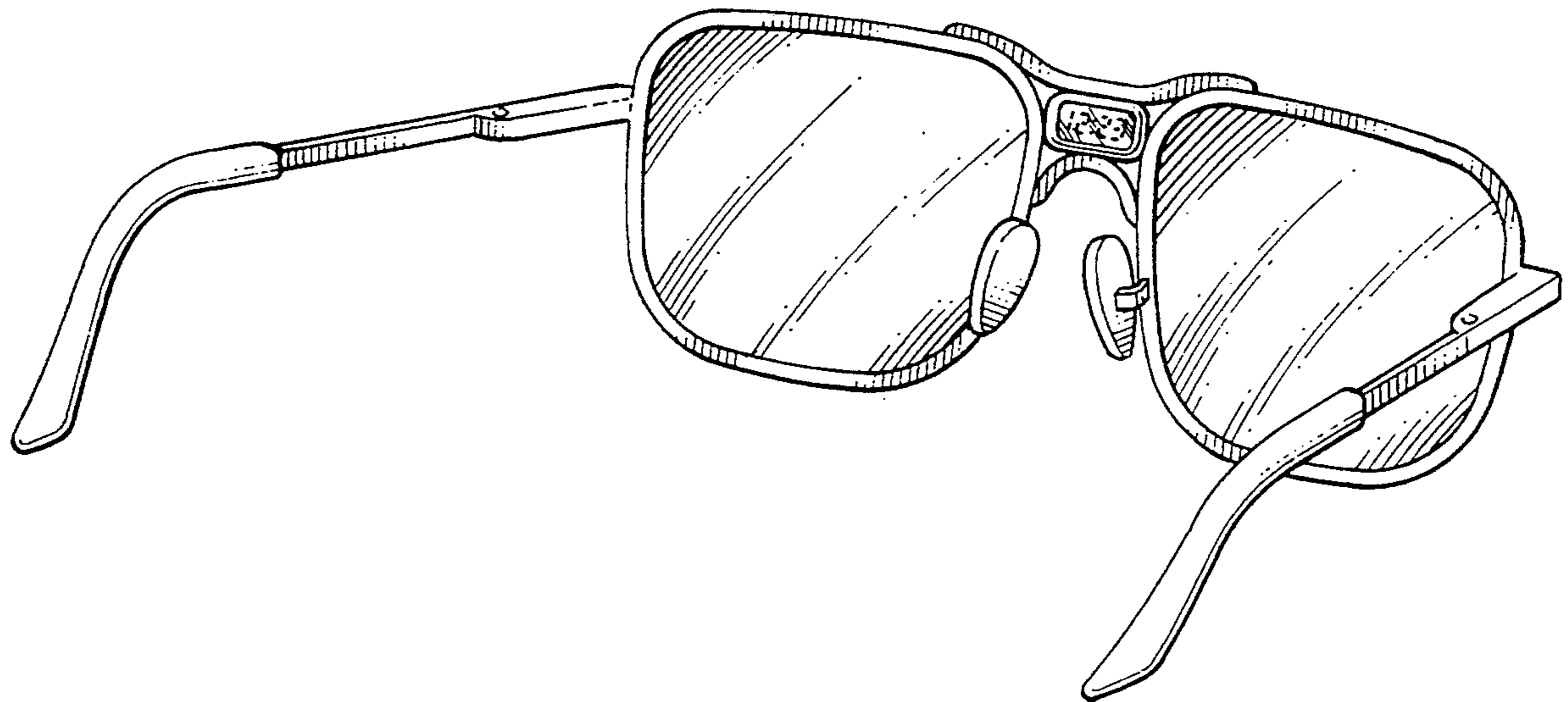


Fig. 1

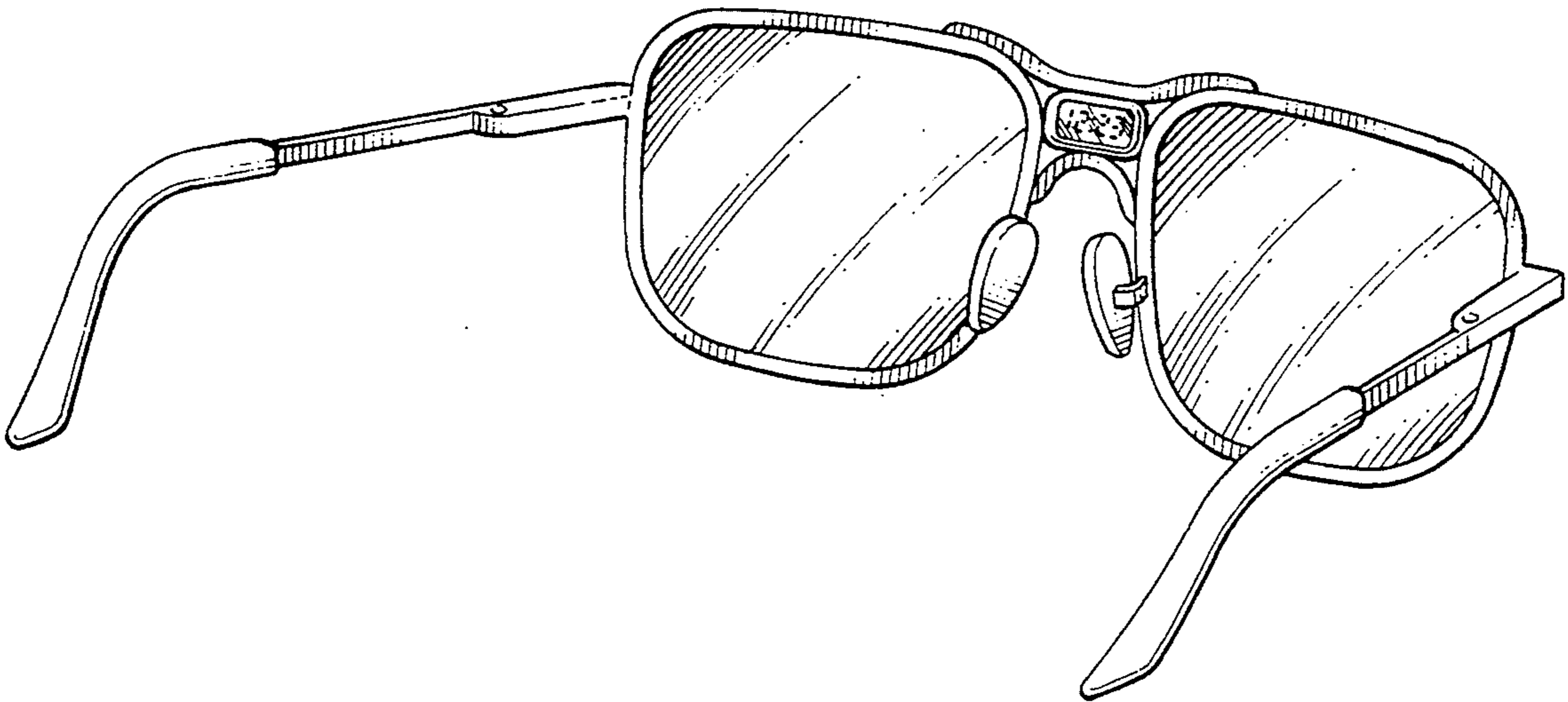
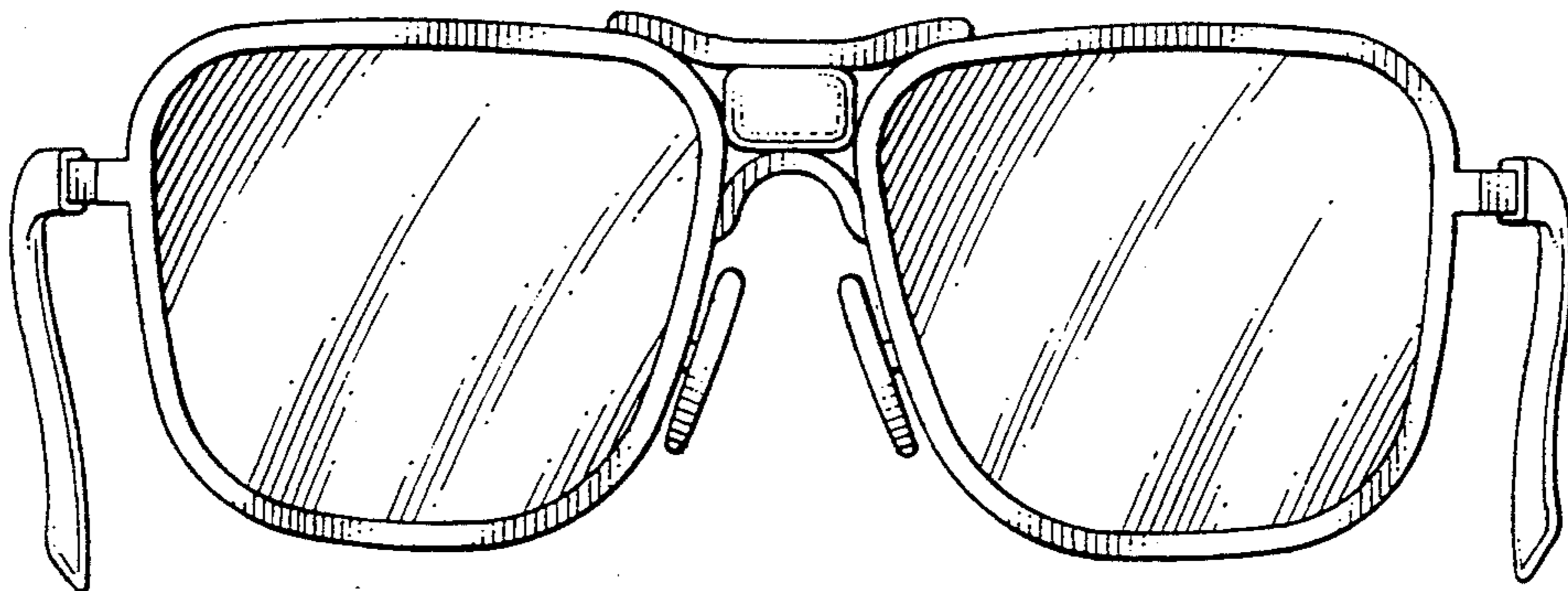


Fig. 2



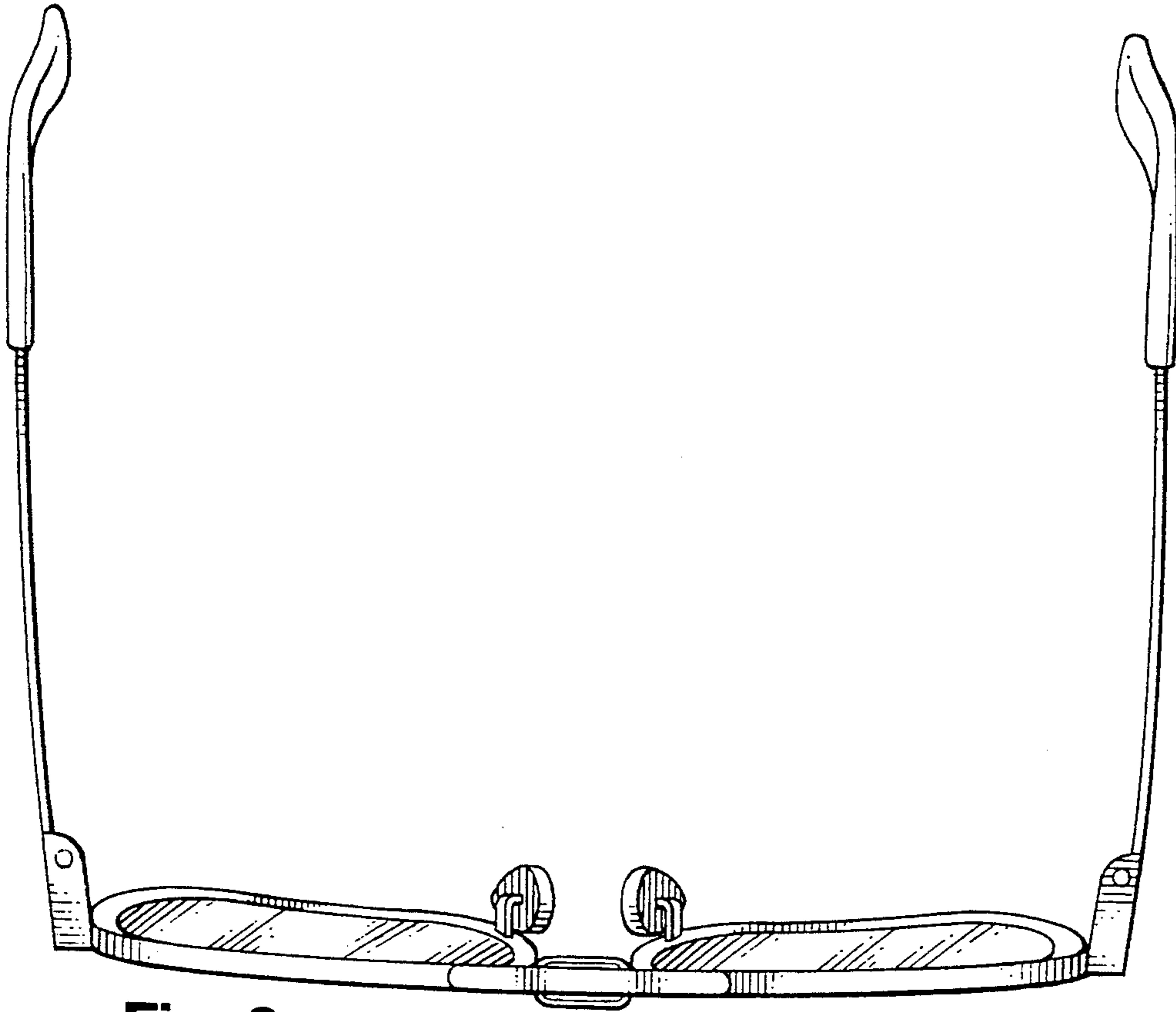


Fig. 3

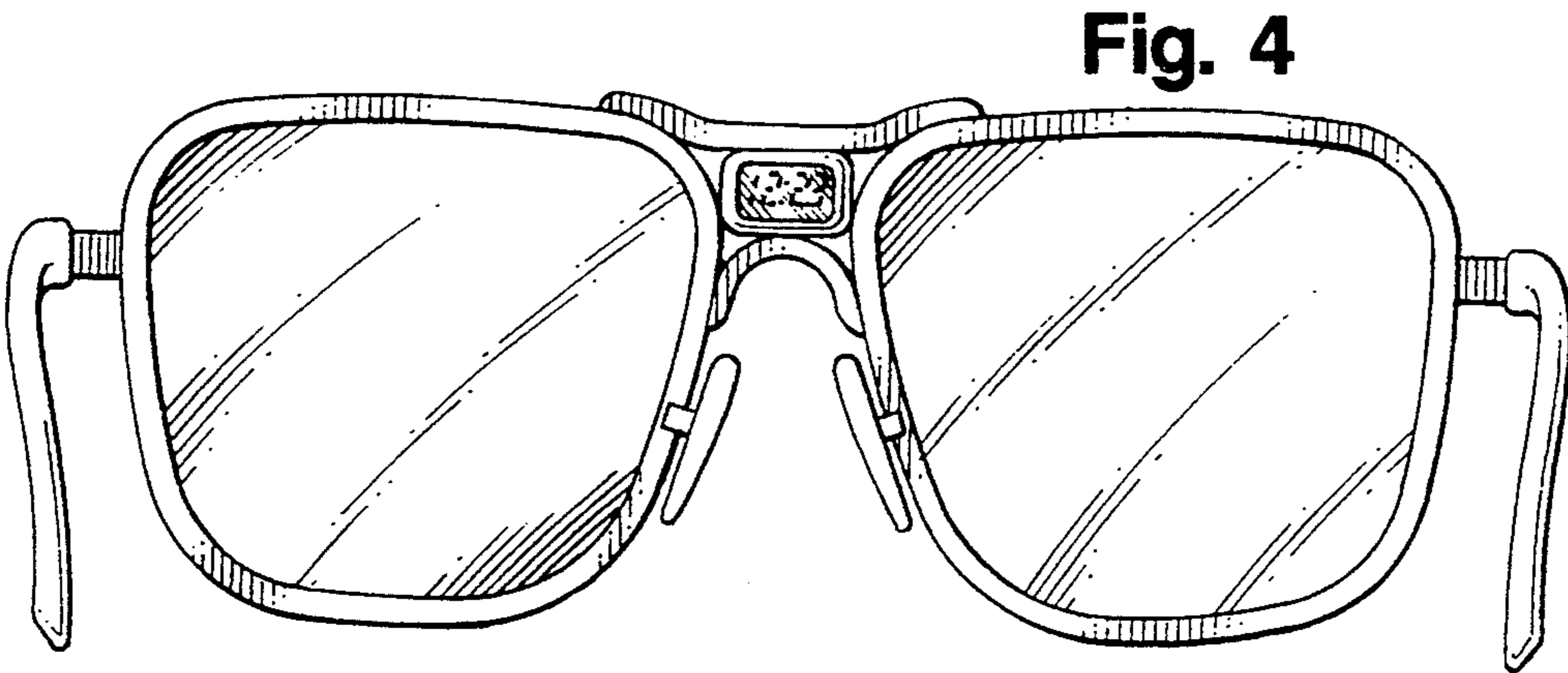


Fig. 4

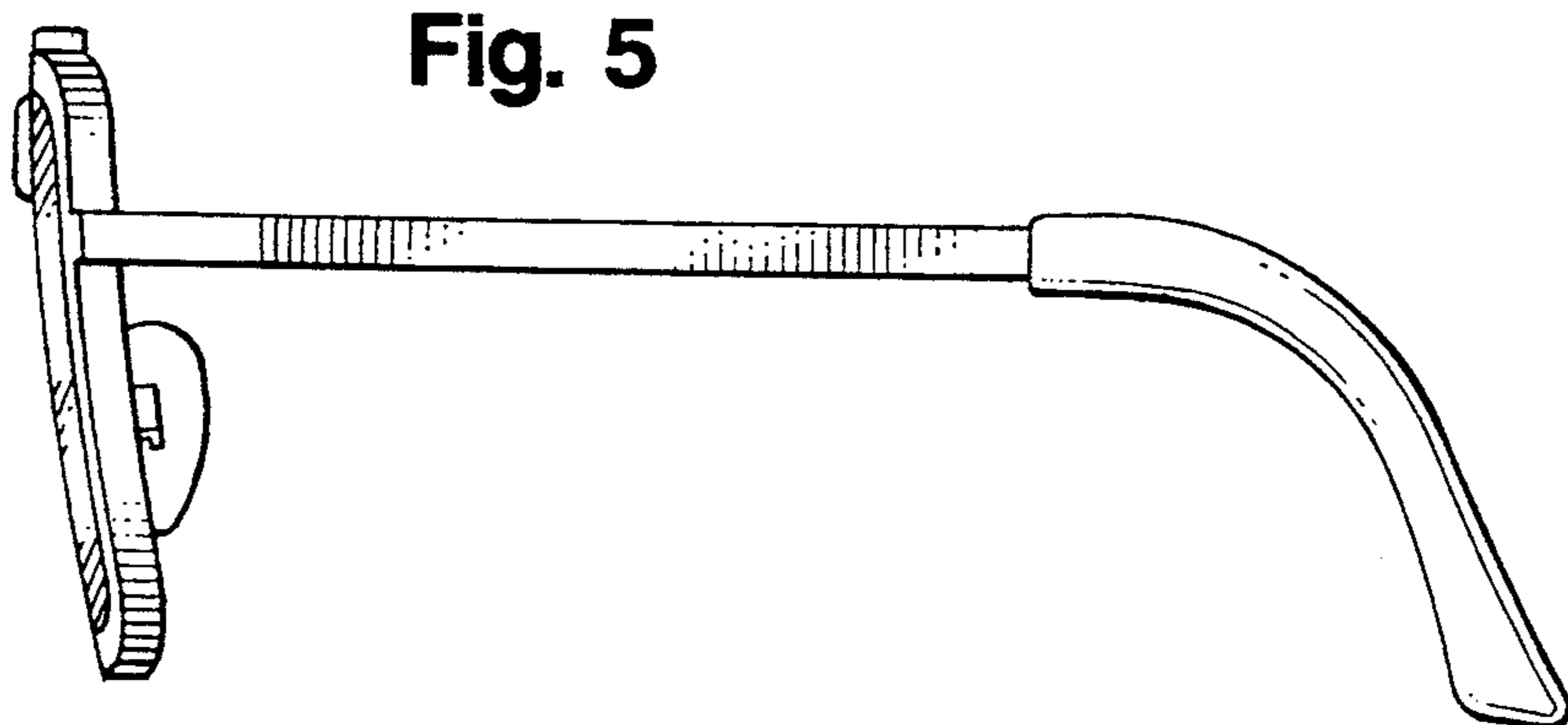


Fig. 5