



US00D352049S

United States Patent [19]

[11] Patent Number: **Des. 352,049**

Burr et al.

[45] Date of Patent: **** Nov. 1, 1994**

[54] **OPTICAL FOCUSER**

[75] Inventors: **James D. Burr**, 1960 Jefferson Co. Rd. 23, Evergreen, Colo. 80439; **Rick McWilliams**, Mountain View, Calif.

[73] Assignee: **James D. Burr**, Evergreen, Colo.

[**] Term: **14 Years**

[21] Appl. No.: **528**

[22] Filed: **Oct. 16, 1992**

[52] U.S. Cl. **D16/130; D16/136**

[58] Field of Search 359/399, 405, 808, 809, 359/811, 819, 823, 896; 385/23, 27; D16/130, 132, 136, 134

[56] **References Cited**

U.S. PATENT DOCUMENTS

D. 286,644 11/1986 Burr D16/136 X
D. 295,871 5/1988 Charles D16/130

D. 311,411 10/1990 Sato D16/130 X
4,807,985 2/1989 Feinbloom 359/410 X
4,884,882 12/1989 Schnarch 359/896 X
4,893,899 1/1990 Huckenbeck 359/823 X
5,221,997 6/1993 Kamir 359/823 X

Primary Examiner—A. Hugo Word
Assistant Examiner—Doris V. Coles
Attorney, Agent, or Firm—Kolisich Hartwell Dickinson McCormack & Heuser

[57] **CLAIM**

The ornamental design for an optical focuser, as shown.

DESCRIPTION

FIG. 1 is a top plan view of the invented optical focuser;
FIG. 2 is a front elevational view thereof;
FIG. 3 is a right side elevational view thereof;
FIG. 4 is a left side elevational view thereof;
FIG. 5 is a rear elevational view thereof; and,
FIG. 6 is a bottom plan view thereof.

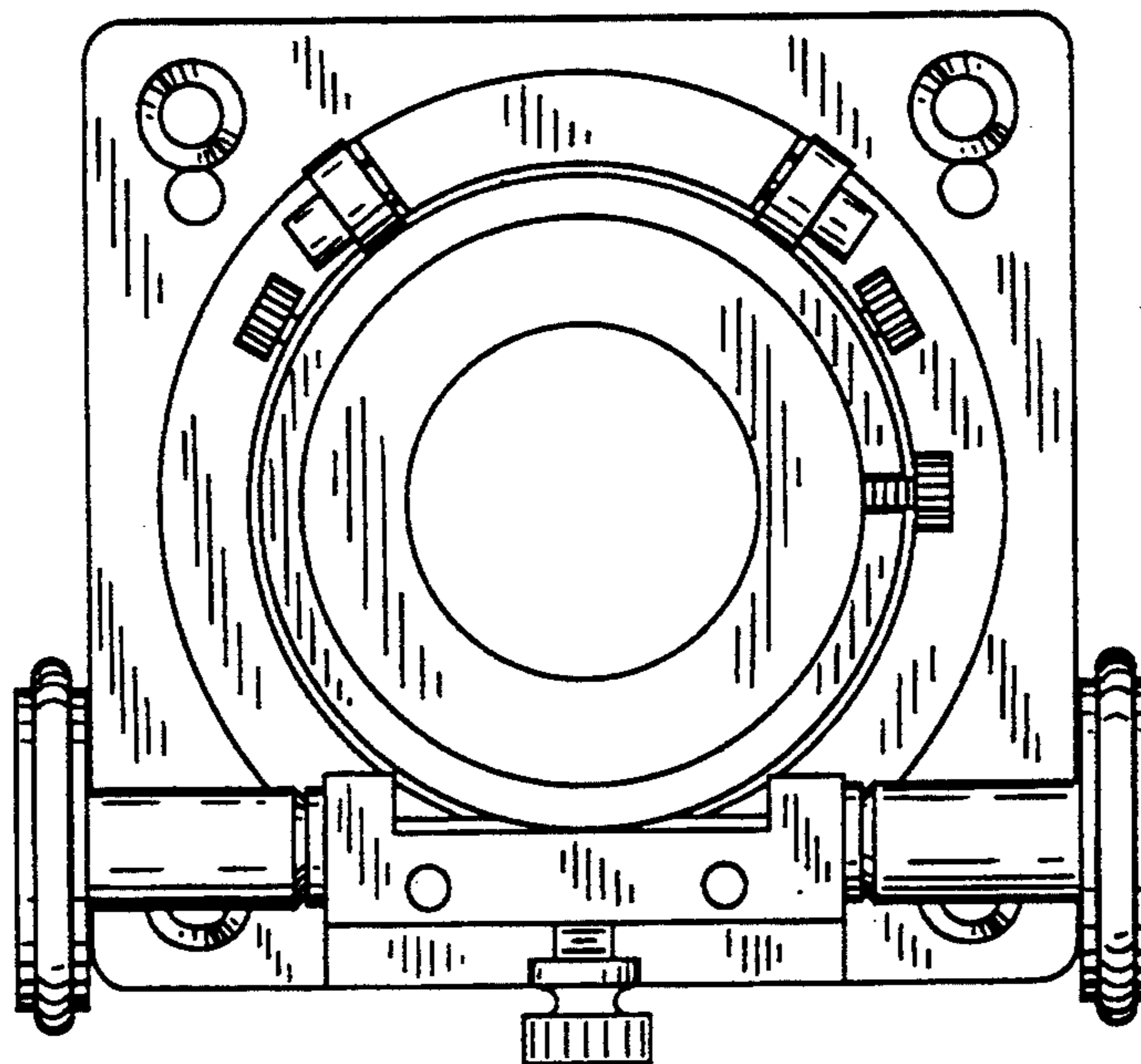


FIG. 1

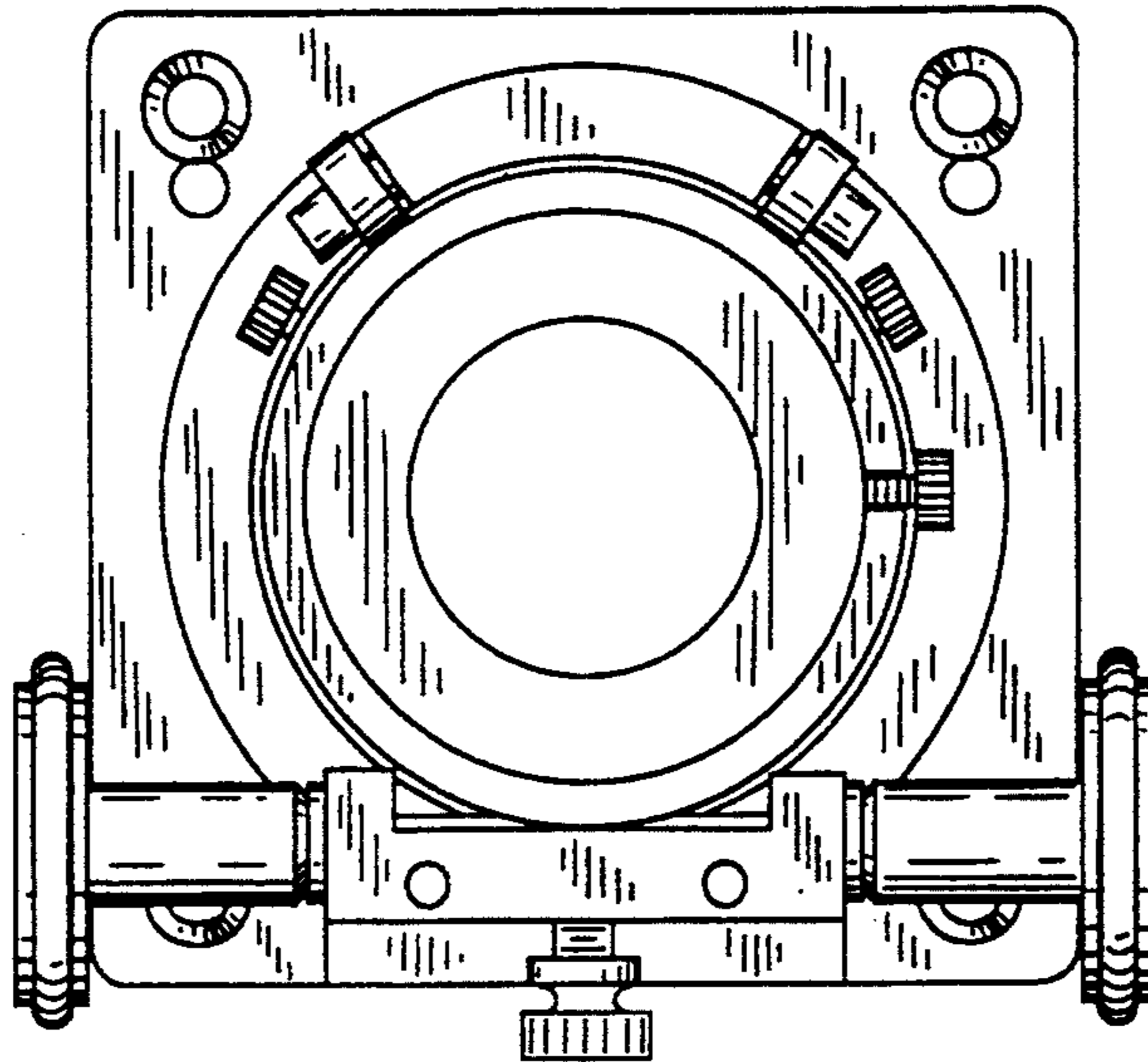


FIG. 2

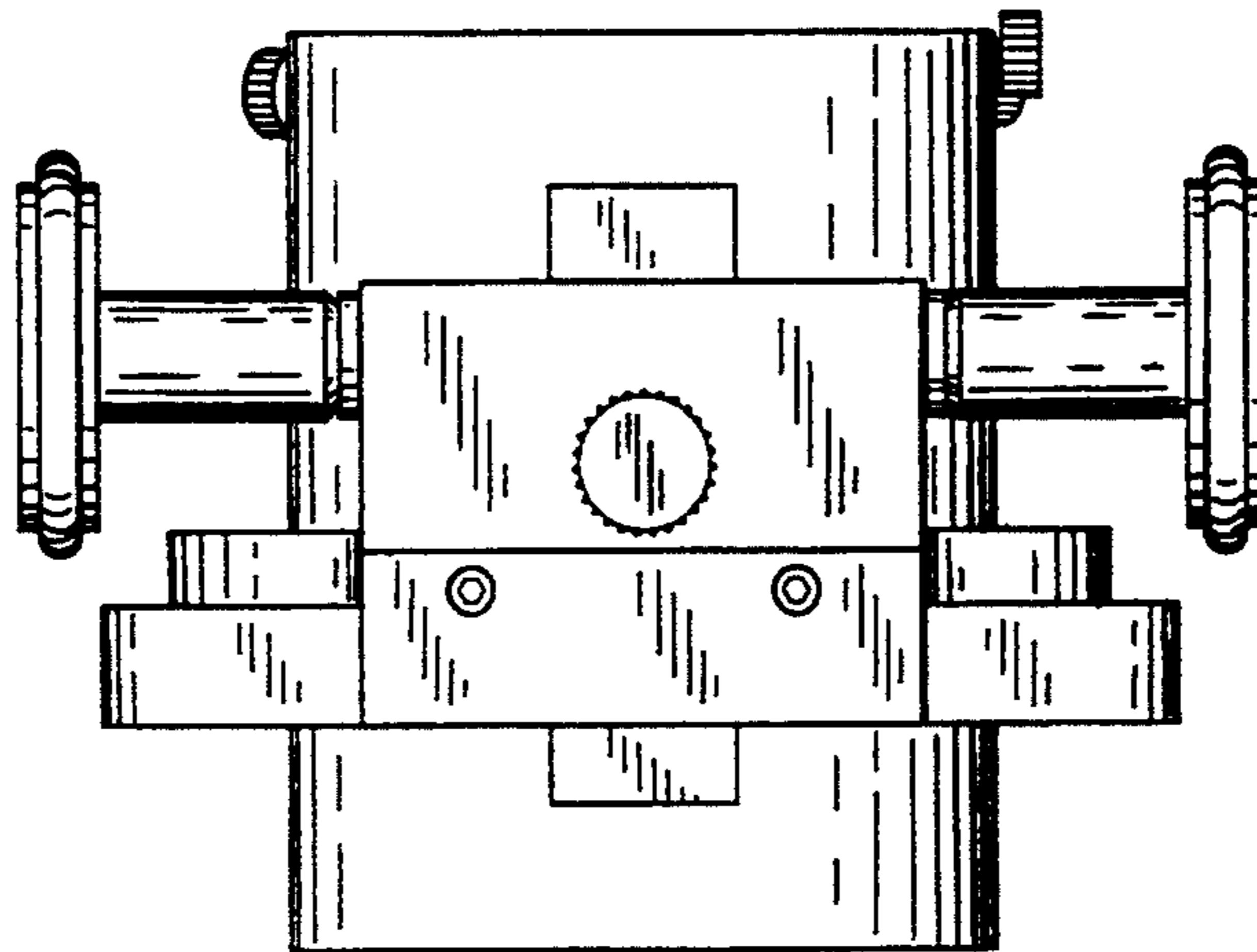


FIG. 3

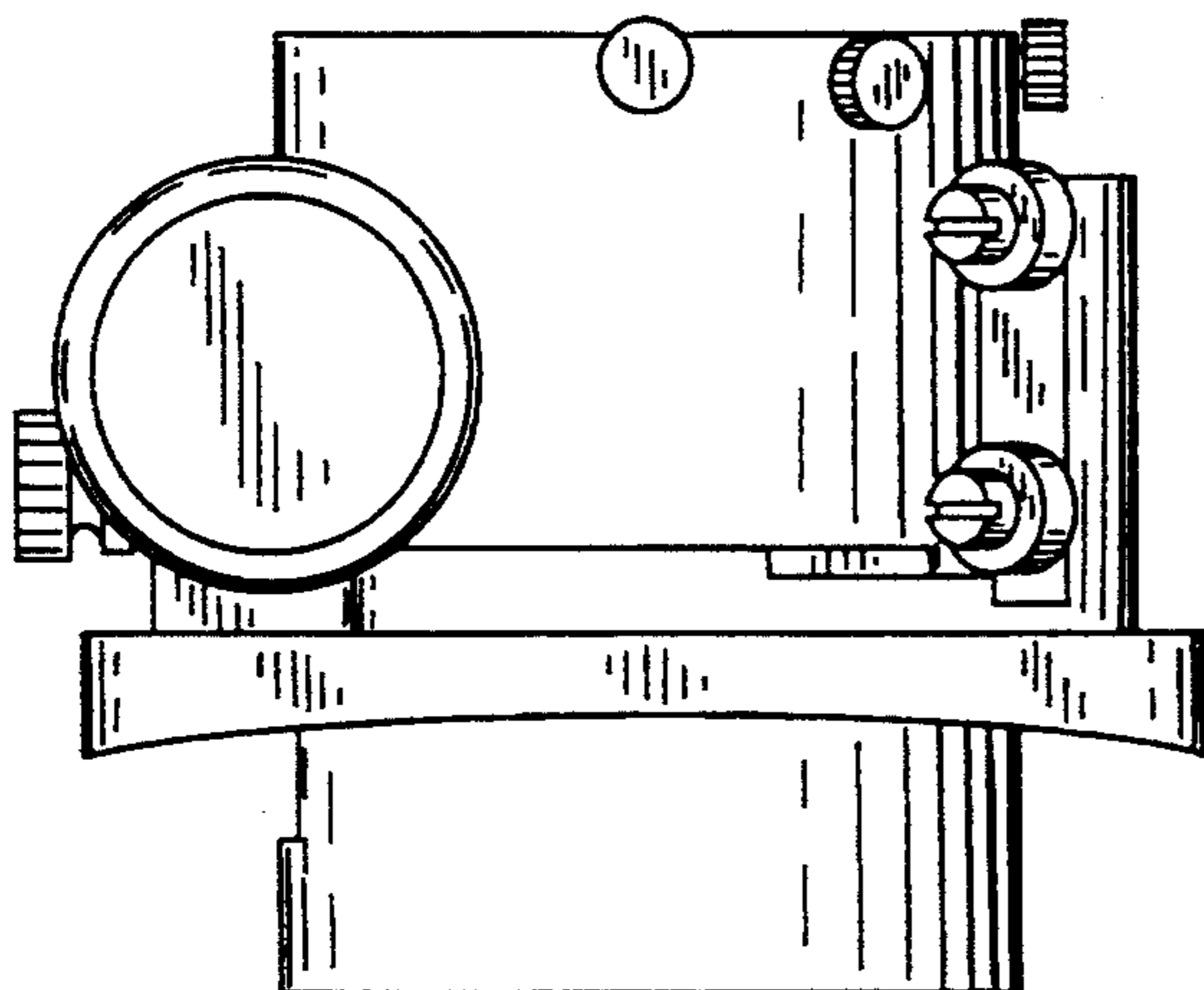


FIG. 4

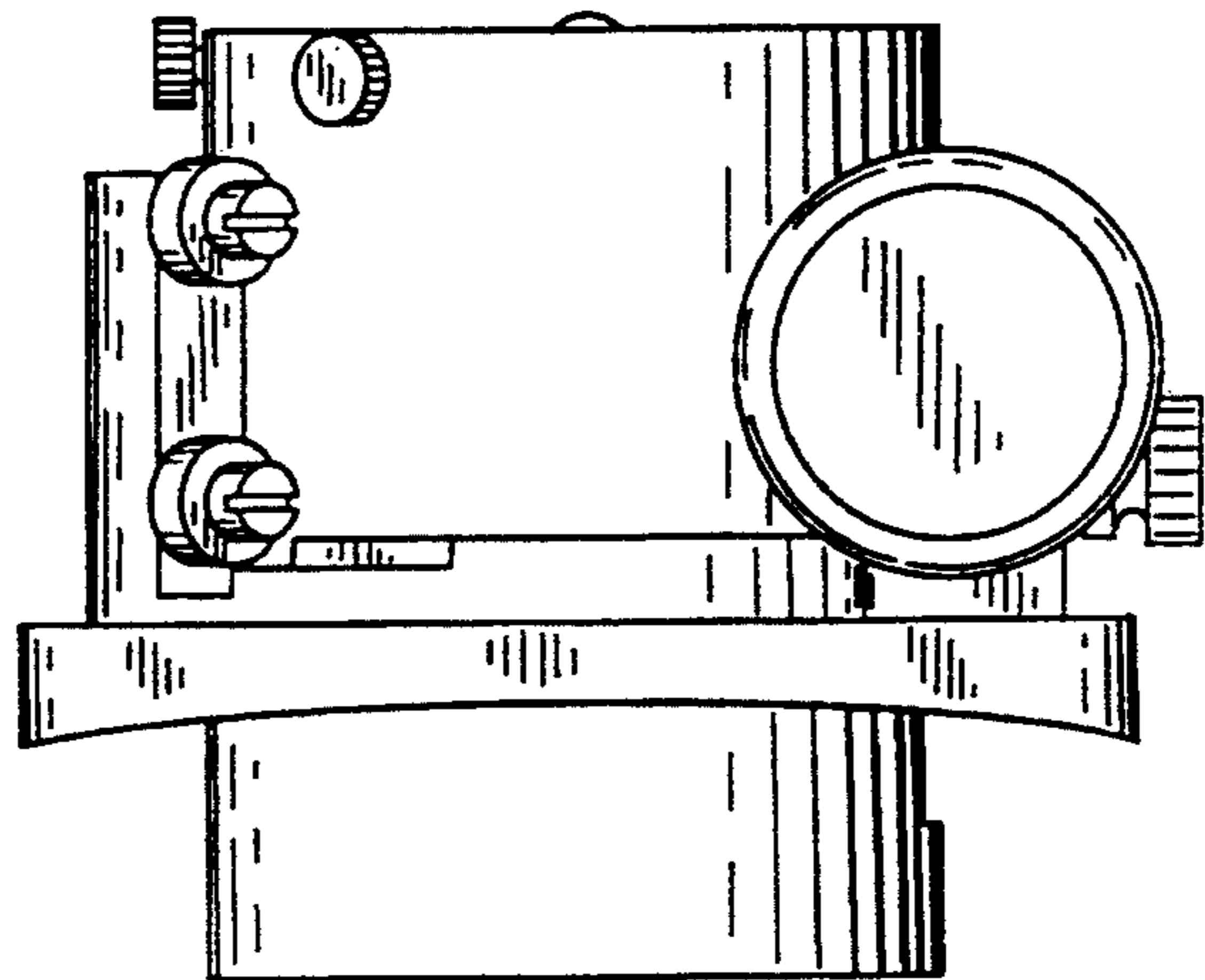


FIG. 5

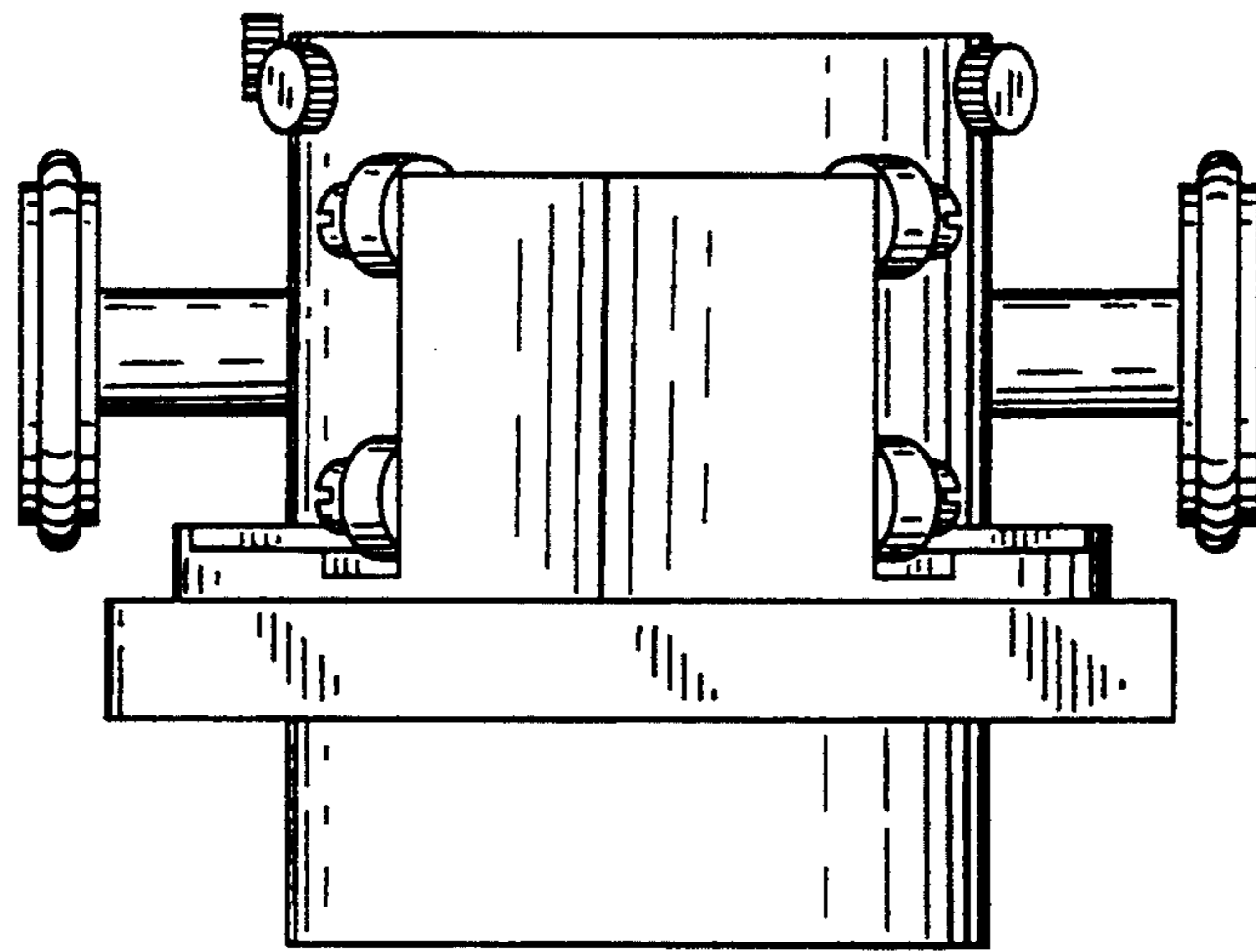


FIG. 6

