



US00D352044S

United States Patent [19]

[11] Patent Number: Des. 352,044

Hahn

[45] Date of Patent: ** Nov. 1, 1994

[54] BUCKET TOOTH

[75] Inventor: Frederick C. Hahn, Aloha, Oreg.

[73] Assignee: Bucyrus Blades, Inc., Bucyrus, Ohio

[**] Term: 14 Years

[21] Appl. No.: 6,324

[22] Filed: Mar. 26, 1993

[52] U.S. Cl. D15/29

[58] Field of Search 37/452-458;
D15/10, 22-26, 28-29, 32

[56] References Cited

U.S. PATENT DOCUMENTS

D. 228,936	10/1973	Dahlberg .	
D. 255,119	5/1980	Korpi	D15/29
D. 284,010	5/1986	Voyce .	
D. 309,460	7/1990	Gross	D15/29
D. 328,466	8/1992	Robinson .	
D. 329,243	9/1992	Robinson .	
D. 336,304	6/1993	Robinson .	
2,213,925	9/1940	Van Buskirk	37/453
2,689,419	9/1954	Daniels et al. .	
2,707,343	5/1955	Baer .	
3,136,077	6/1964	Troeppl .	
3,225,467	12/1965	Troeppl .	
3,326,302	6/1967	Washbond et al. .	
3,426,459	2/1969	Petersen .	
3,444,633	5/1969	Hensley	37/452
3,621,594	11/1971	Hahn et al.	57/457
3,729,055	4/1973	Burridge .	
3,959,901	6/1976	Klett .	
4,083,605	4/1978	College et al. .	
4,269,274	5/1981	Robertson et al. .	
4,321,762	3/1982	Hemphill	37/452
4,360,981	11/1982	Blerwith et al. .	
4,835,888	6/1989	Hemphill .	
4,965,945	10/1990	Emrich	37/456

OTHER PUBLICATIONS

Pacific Alloy Castings vol. II, p. 4 Drill Point CCCP-1.

Primary Examiner—Melvin B. Feifer

Assistant Examiner—Sandra Morris

Attorney, Agent, or Firm—Banner, Birch, McKie and Beckett

[57] CLAIM

The ornamental design for a bucket tooth, as shown and described.

DESCRIPTION

FIG. 1 is a front perspective view of a bucket tooth, showing the new design;

FIG. 2 is a left side elevational view of the bucket tooth shown in FIG. 1, the right side being a mirror image;

FIG. 3 is a top plan view of the bucket tooth shown in FIG. 1;

FIG. 4 is a bottom plan view of the bucket tooth shown in FIG. 1;

FIG. 5 is a front end elevational view of the bucket tooth shown in FIG. 1;

FIG. 6 is a rear end elevational view of the bucket tooth shown in FIG. 1;

FIG. 7 is a cross sectional view taken along line 7—7 of FIG. 2;

FIG. 8 is a front perspective view of a second embodiment of a bucket tooth, showing the new design;

FIG. 9 is a left side elevational view of the bucket tooth shown in FIG. 8, the right side being a mirror image;

FIG. 10 is a top plan view of the bucket tooth shown in FIG. 8;

FIG. 11 is a bottom plan view of the bucket tooth shown in FIG. 8;

FIG. 12 is a front end elevational view of the bucket tooth shown in FIG. 8;

FIG. 13 is a rear end elevational view of the bucket tooth shown in FIG. 8;

FIG. 14 is a cross sectional view taken along line 14—14 of FIG. 9;

FIG. 15 is a front perspective view of a third embodiment of a bucket tooth, showing the new design;

FIG. 16 is a left side elevational view of the bucket tooth shown in FIG. 15; the right side being a mirror image;

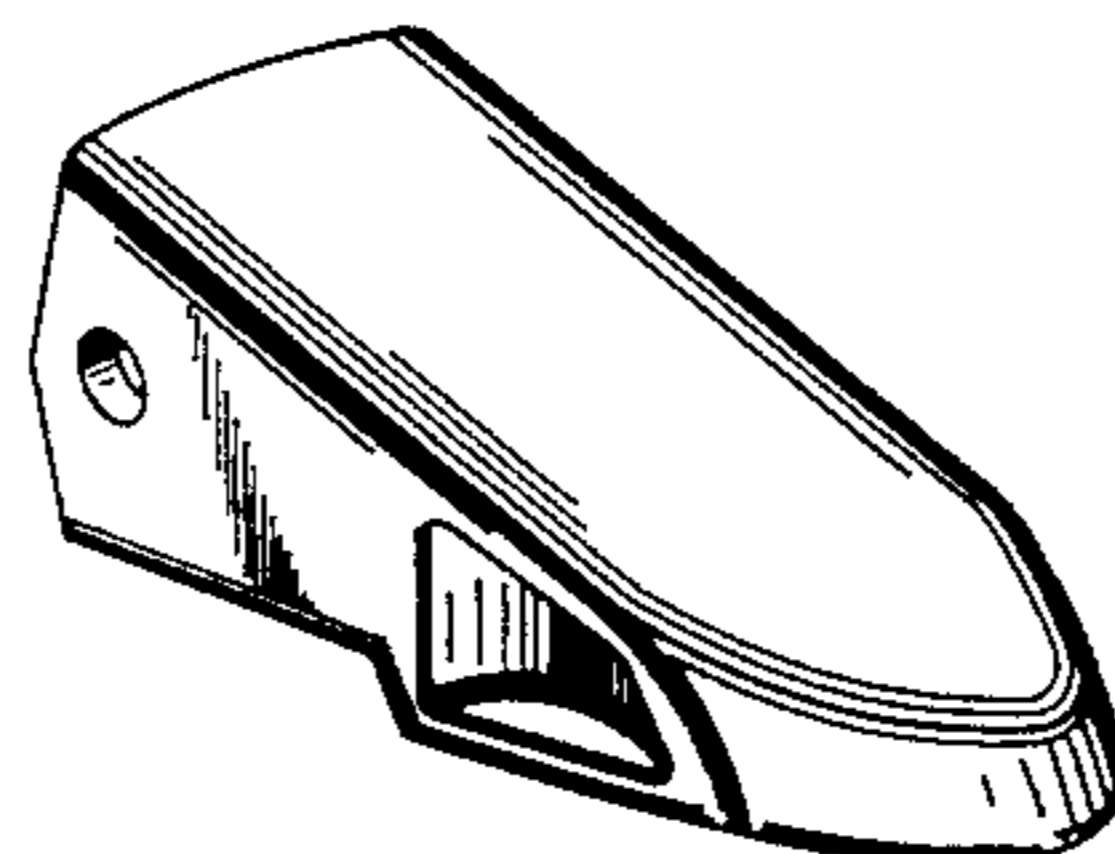
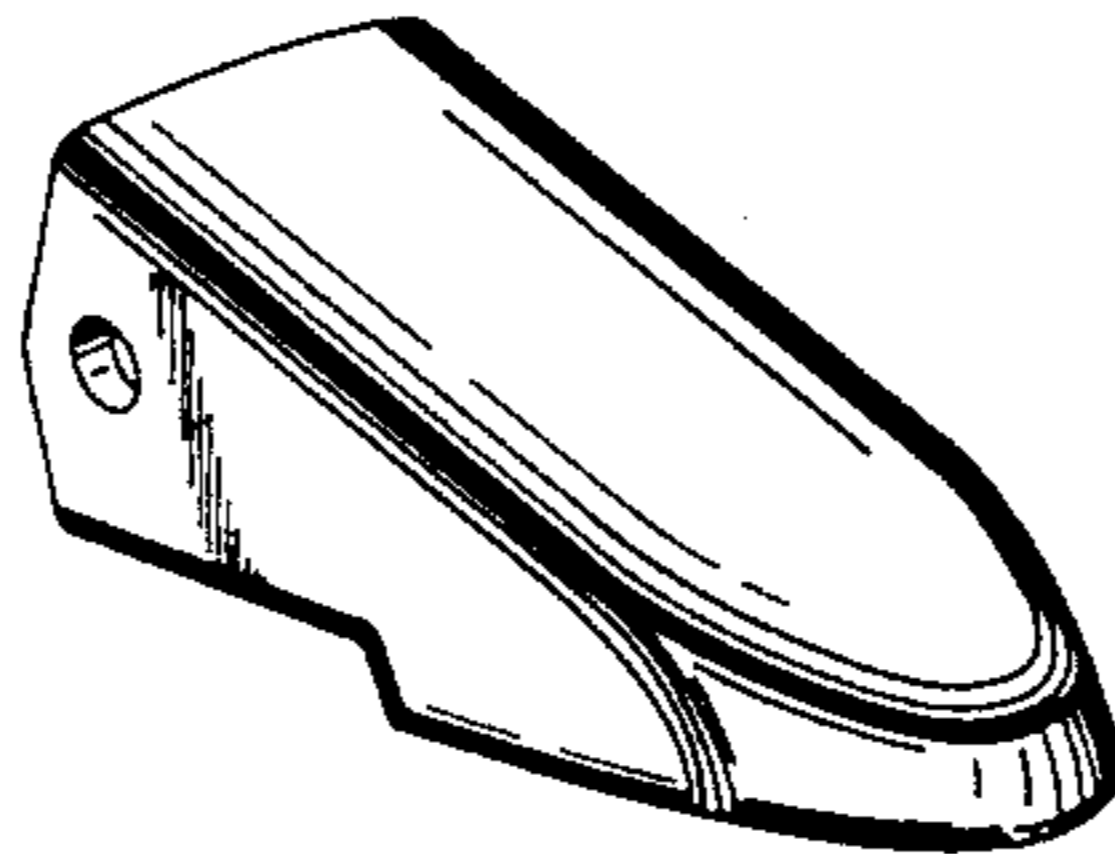
FIG. 17 is a top plan view of the bucket tooth shown in FIG. 15;

FIG. 18 is a bottom plan view of the bucket tooth shown in FIG. 15;

FIG. 19 is a front end elevational view of the bucket tooth shown in FIG. 15;

FIG. 20 is a rear end elevational view of the bucket tooth shown in FIG. 15; and,

FIG. 21 is a cross sectional view taken along line 21—21 of FIG. 16.



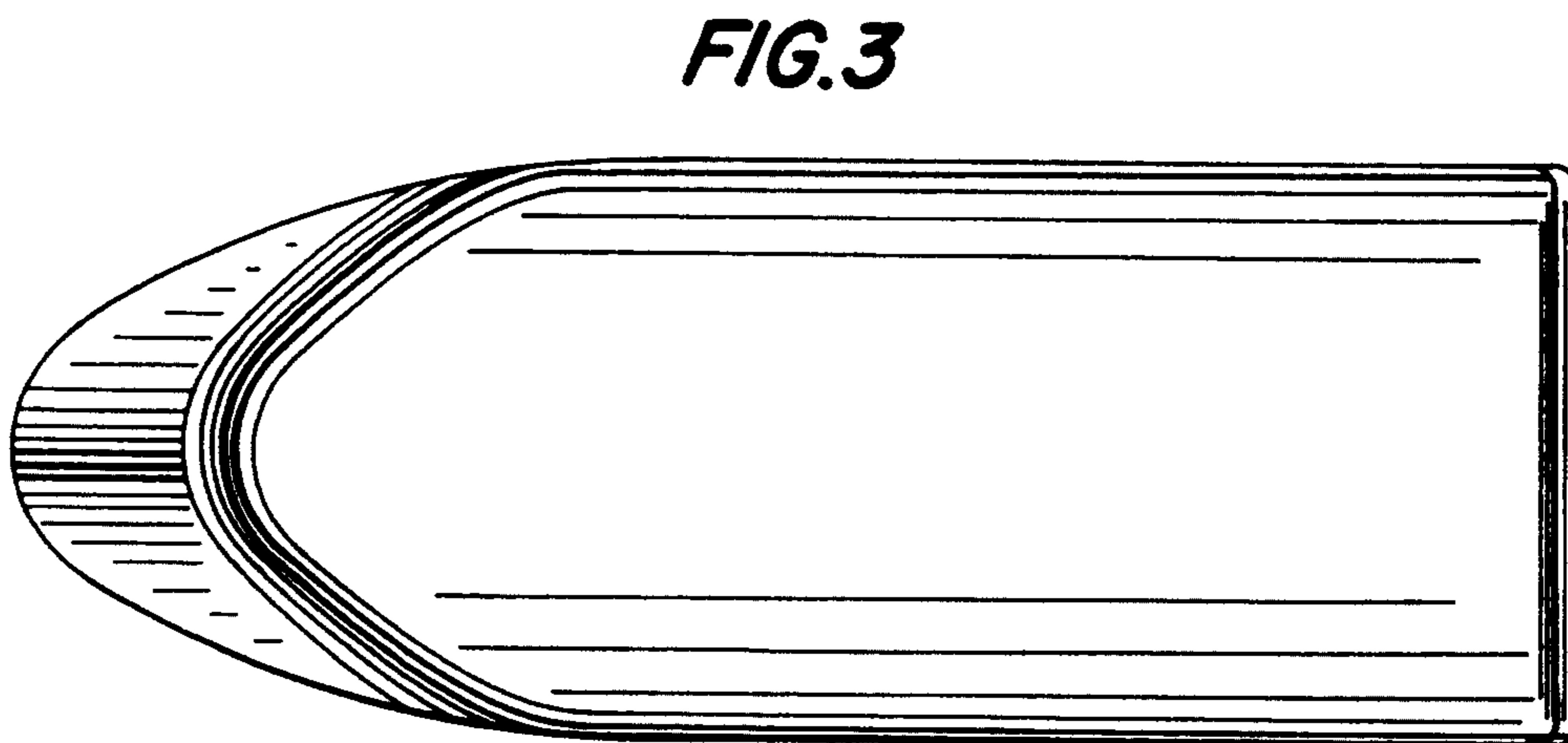
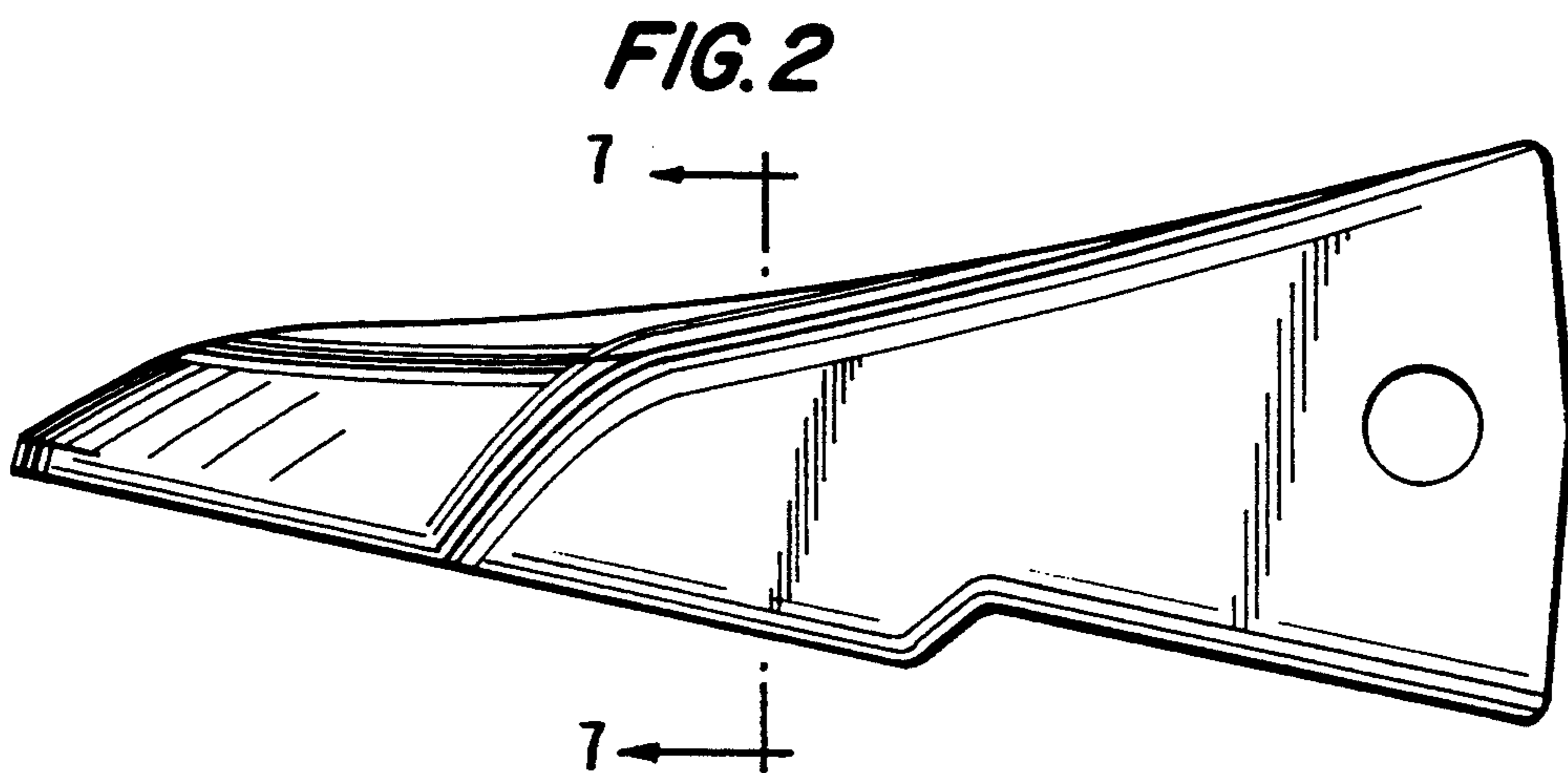
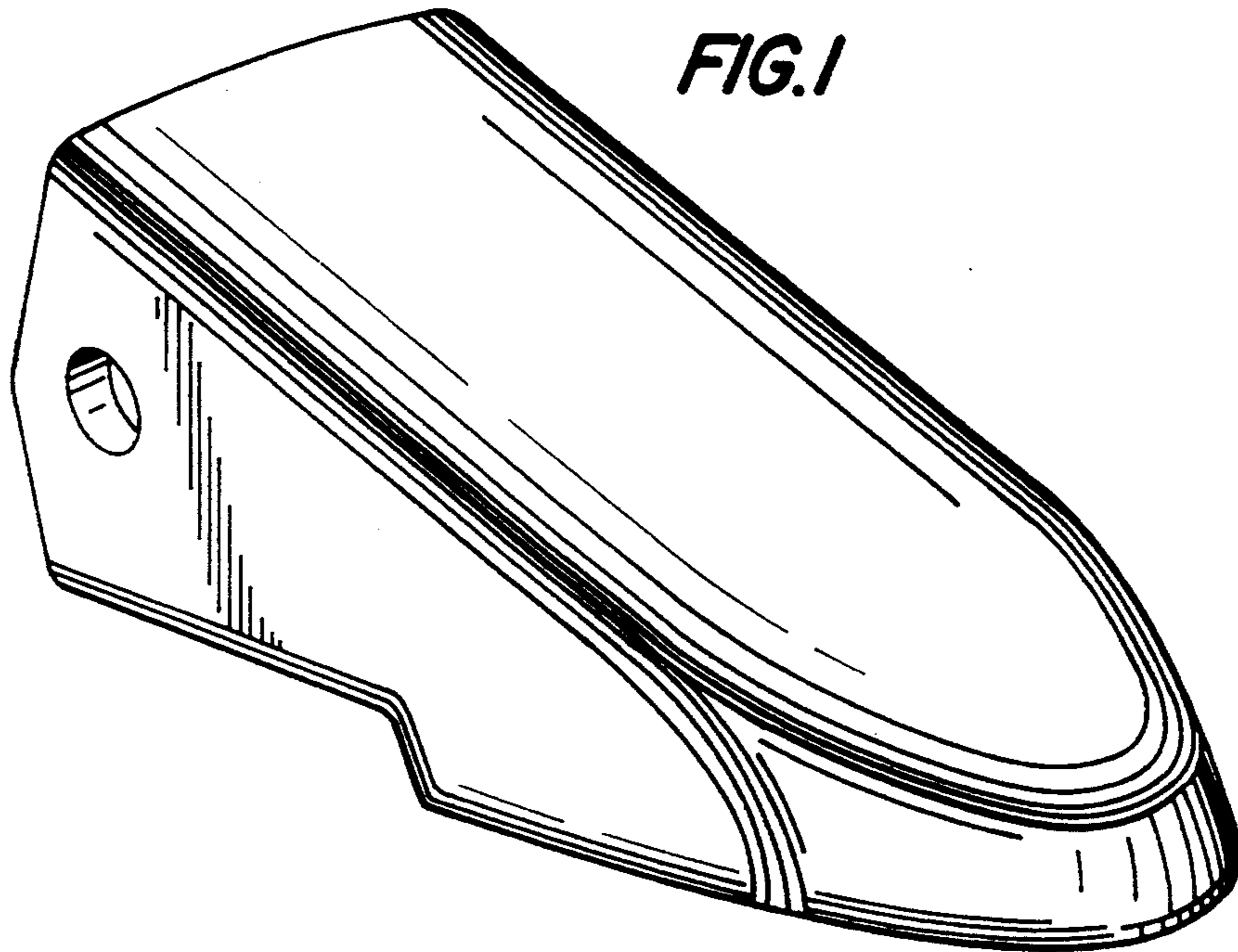


FIG. 4

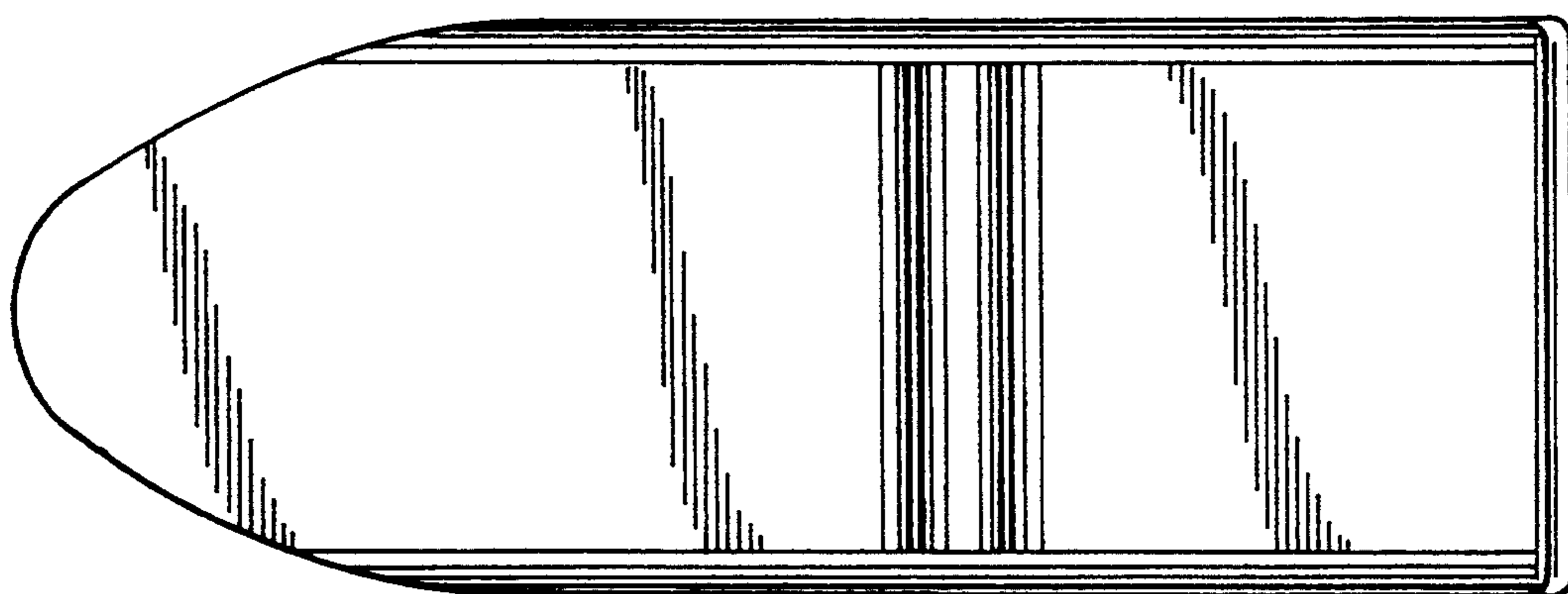


FIG. 5

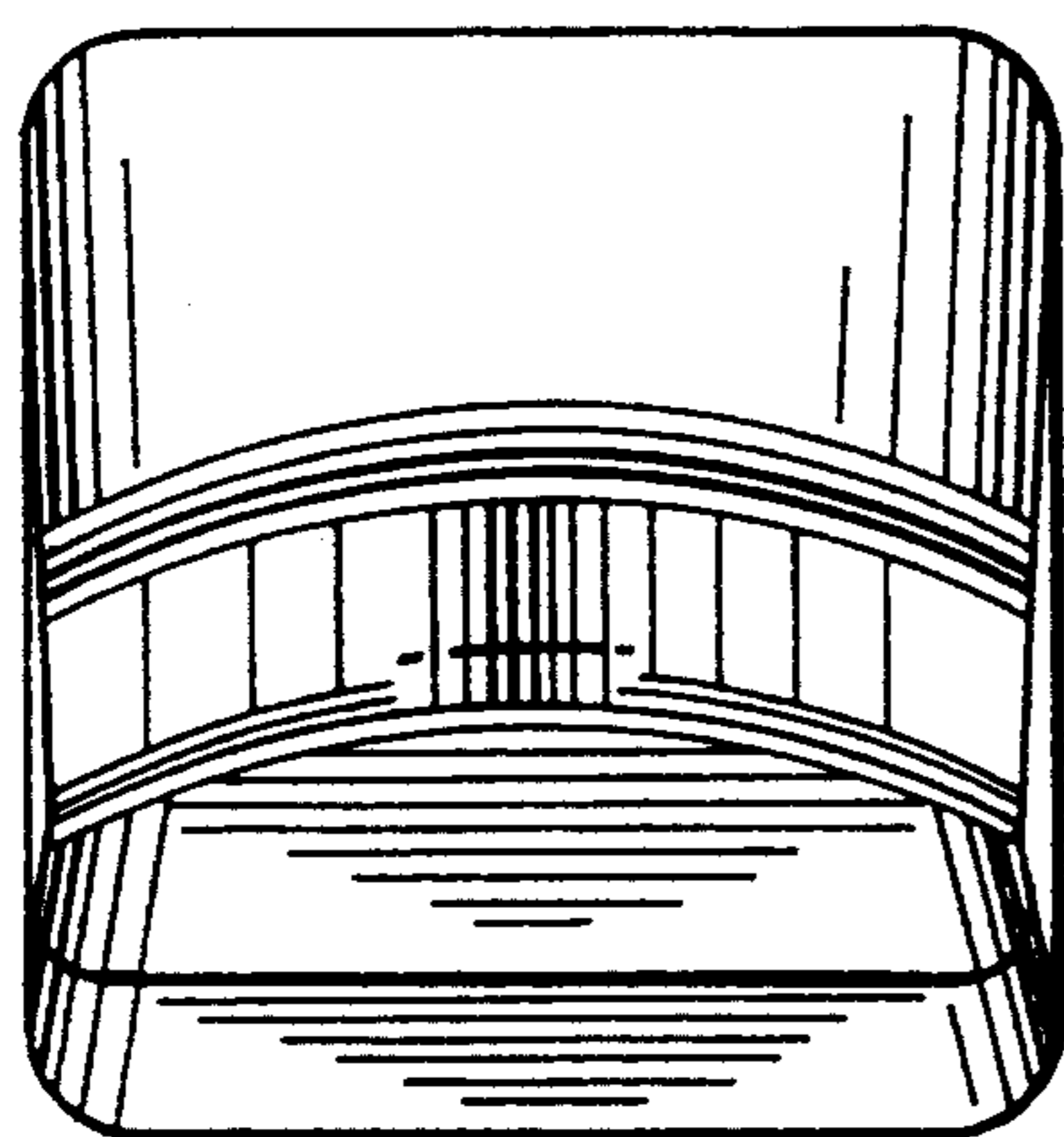


FIG. 6

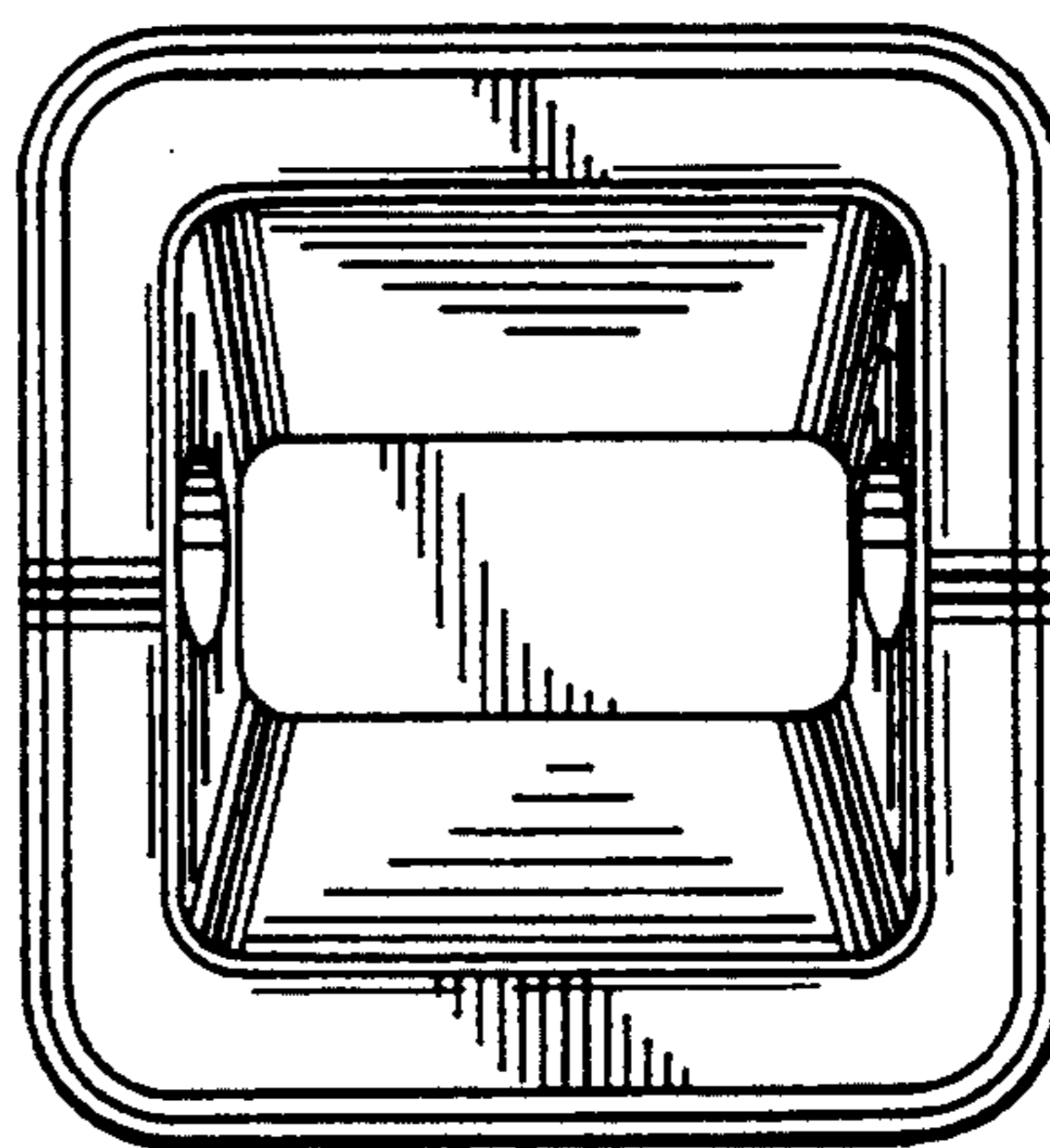
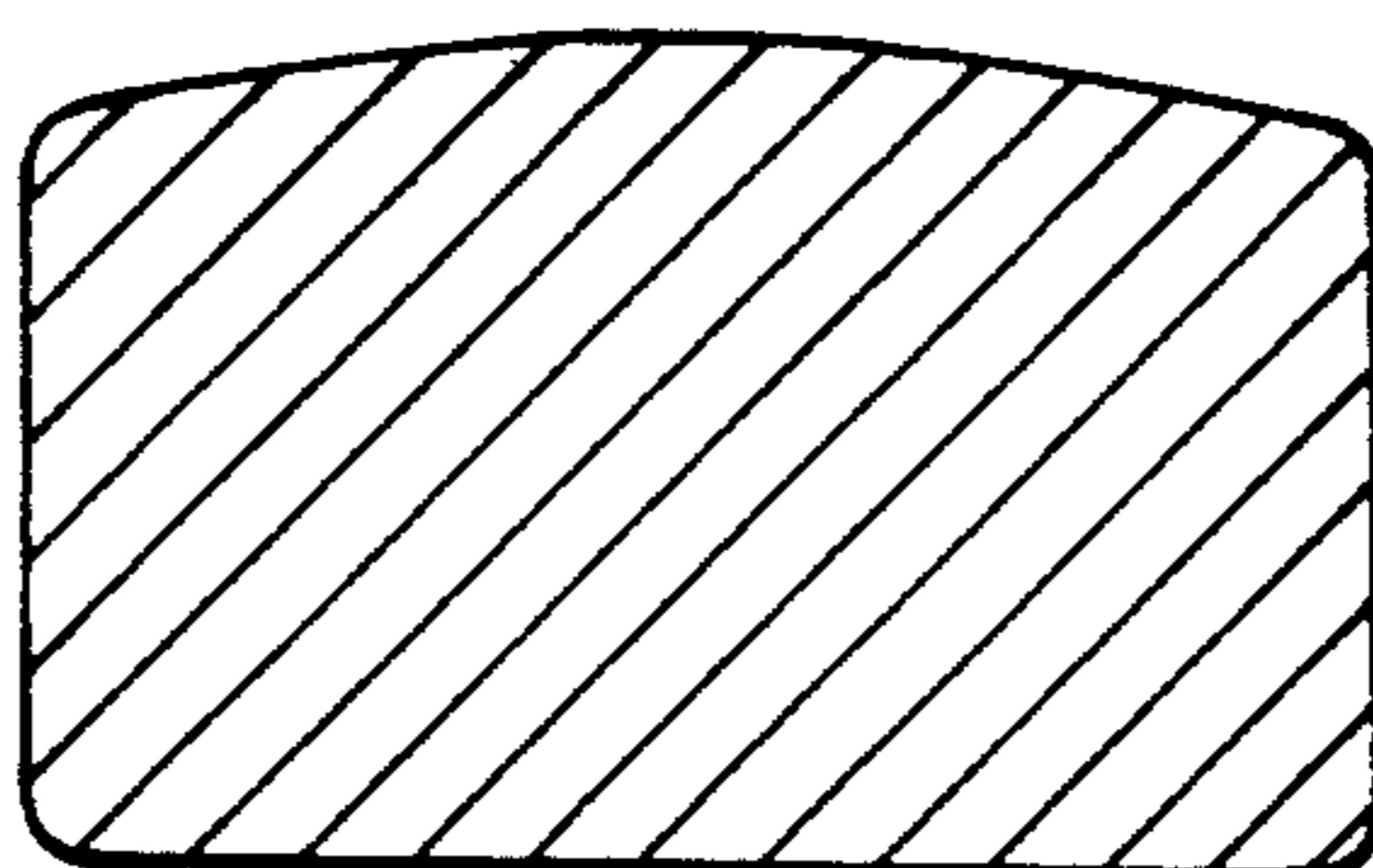


FIG. 7



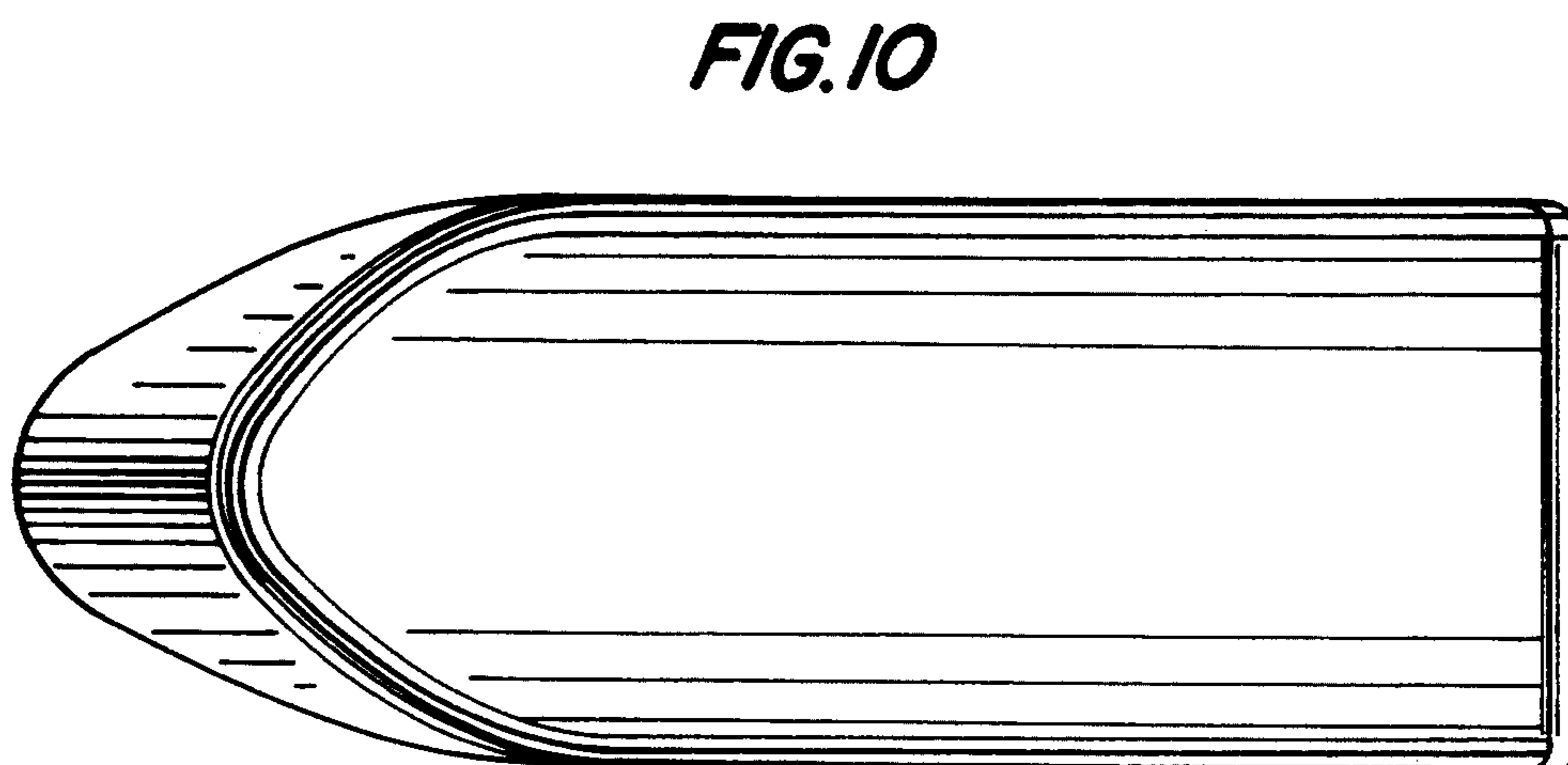
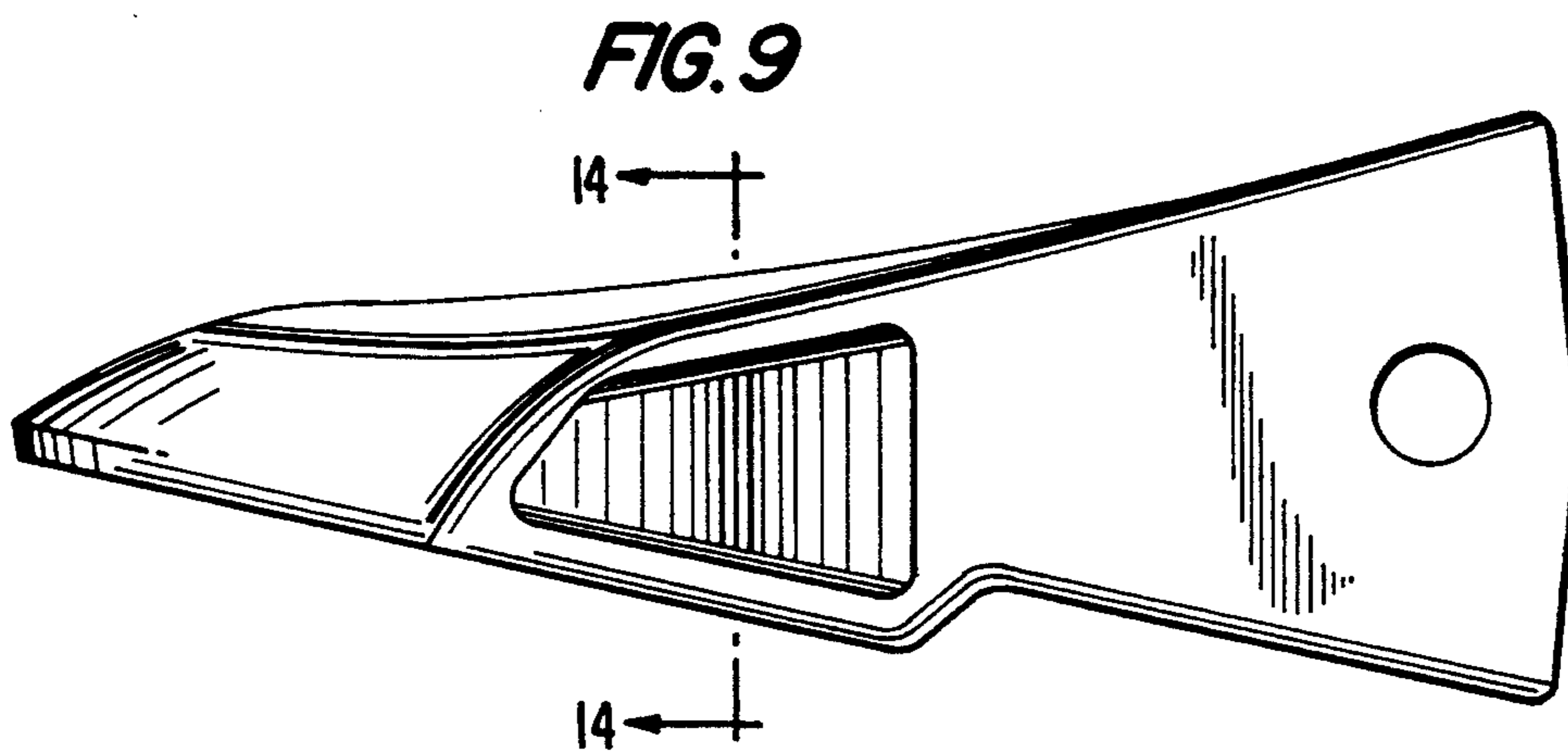
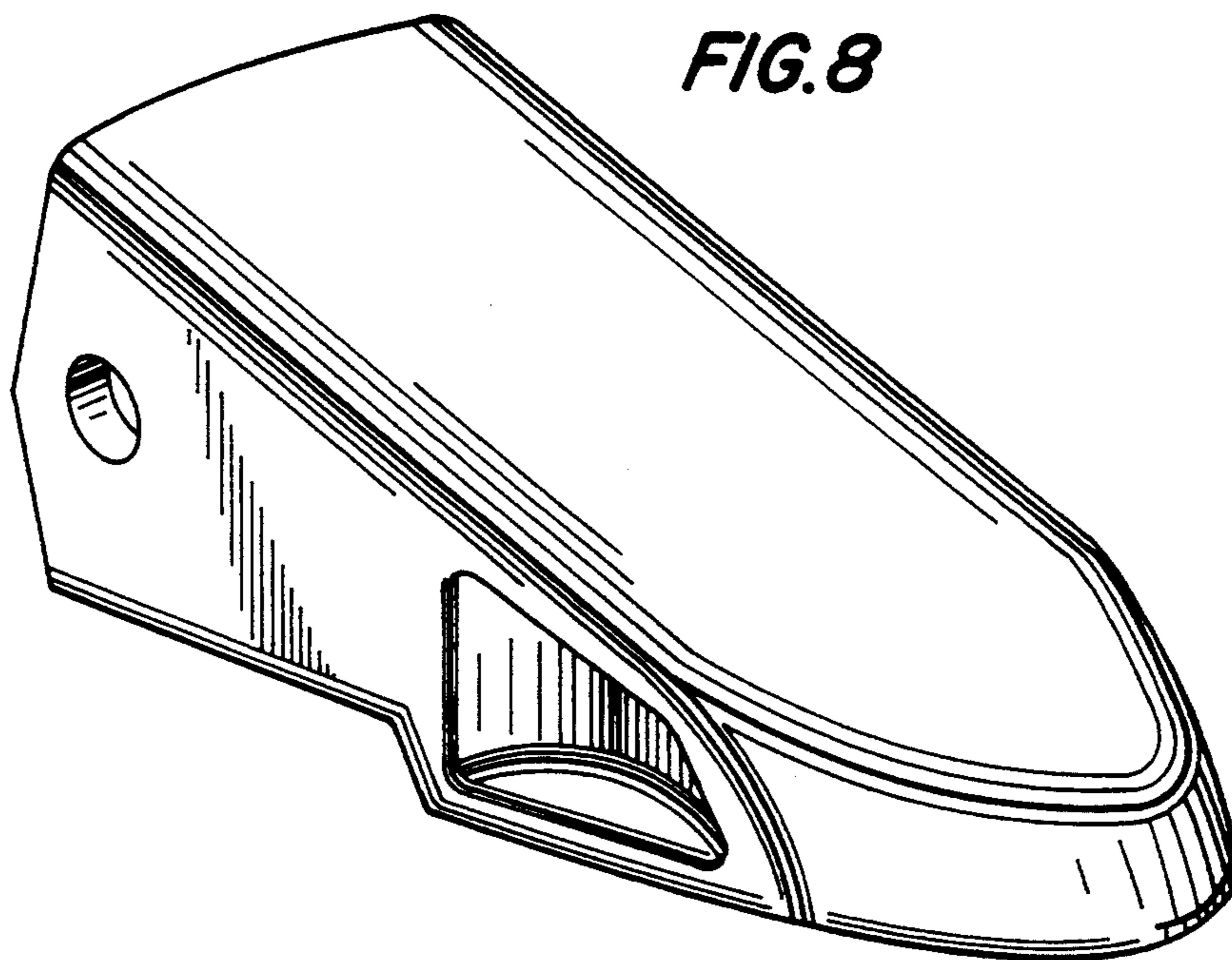


FIG. 11

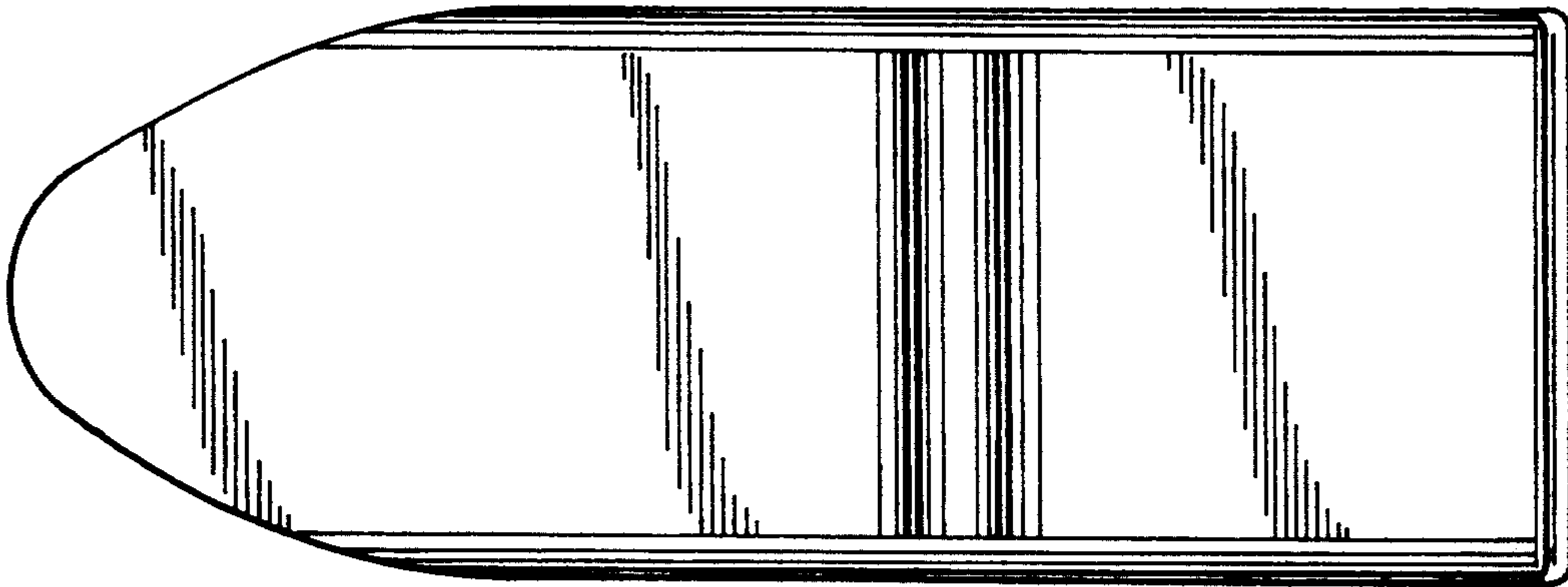


FIG. 12

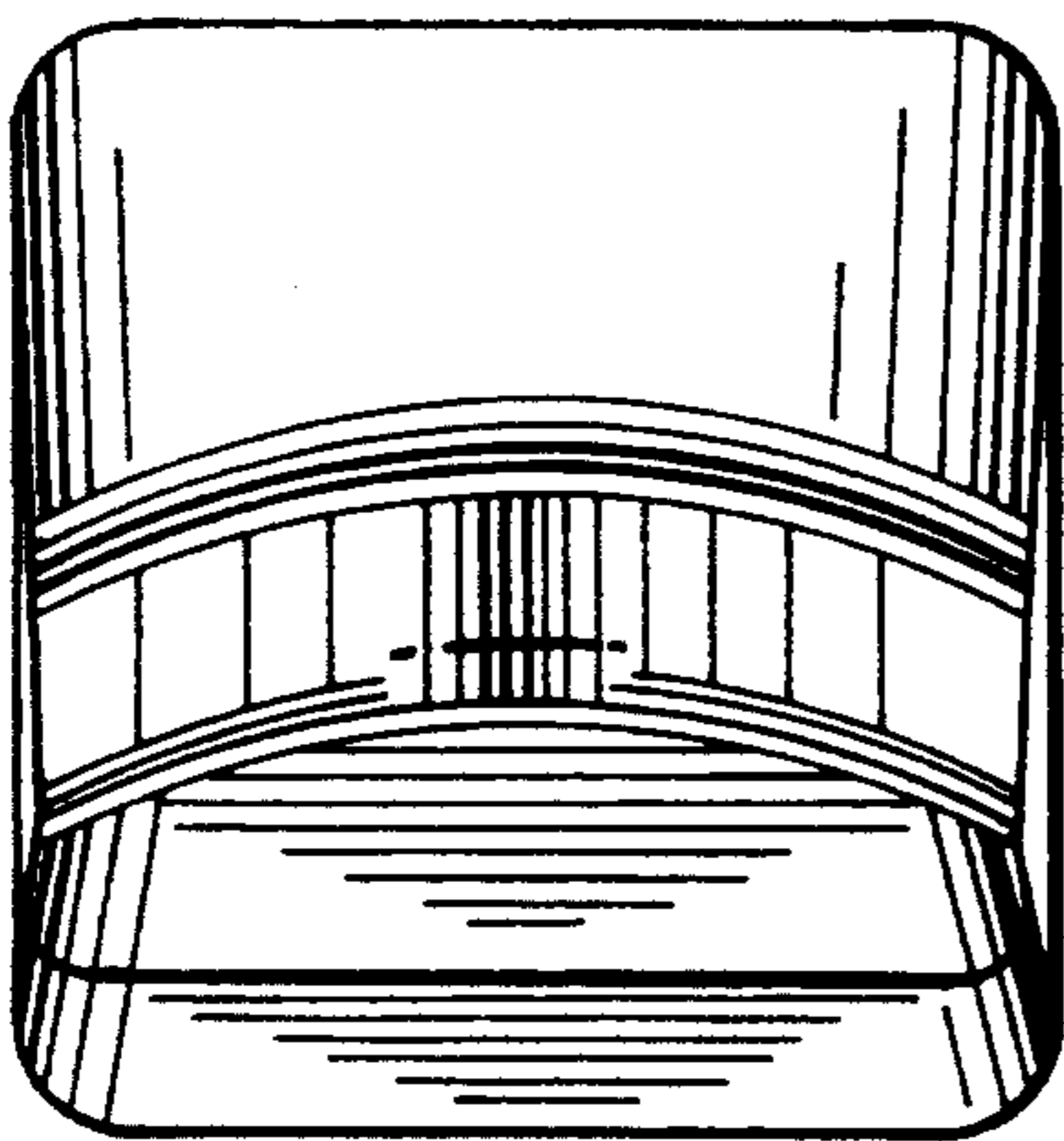


FIG. 13

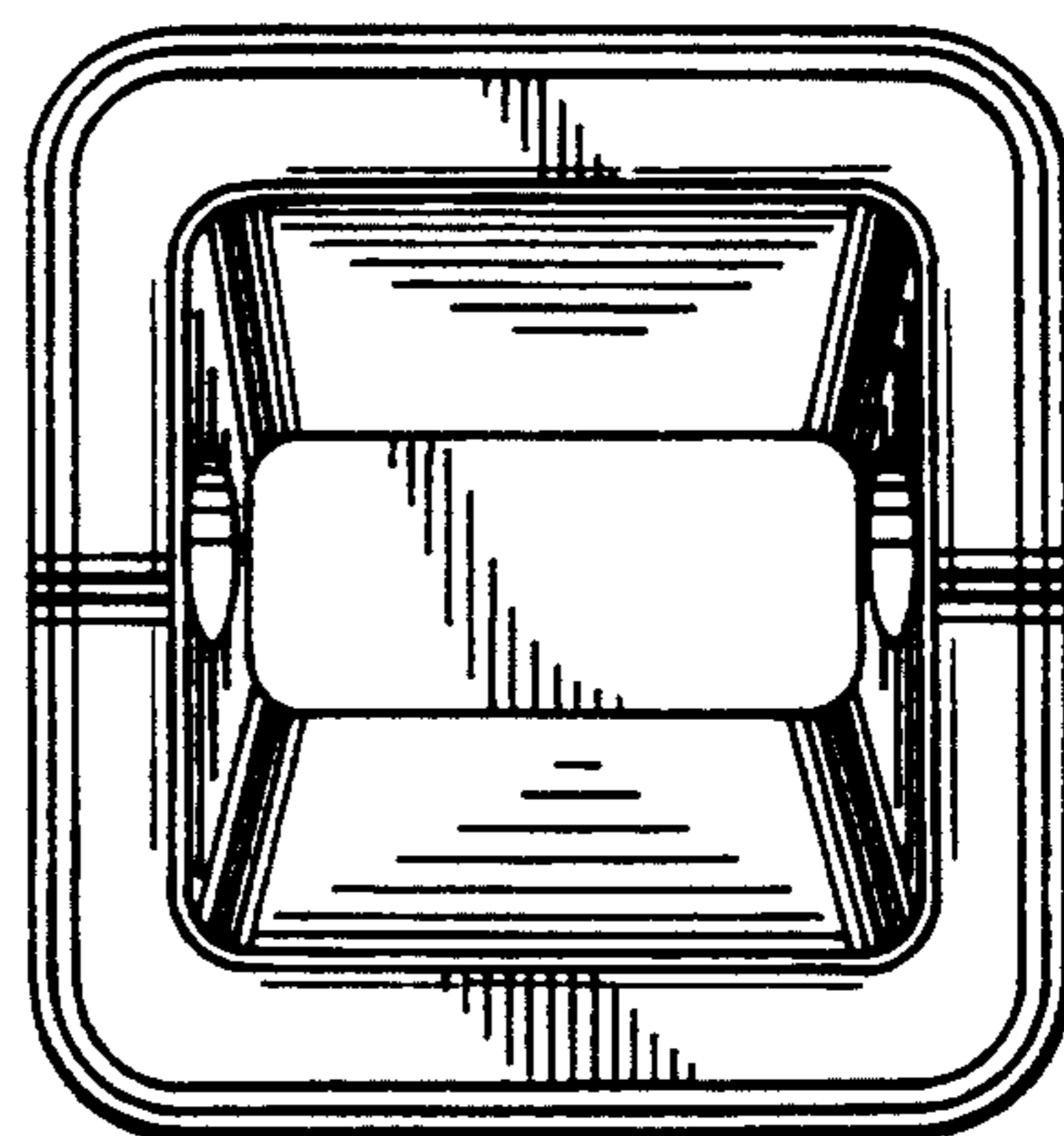
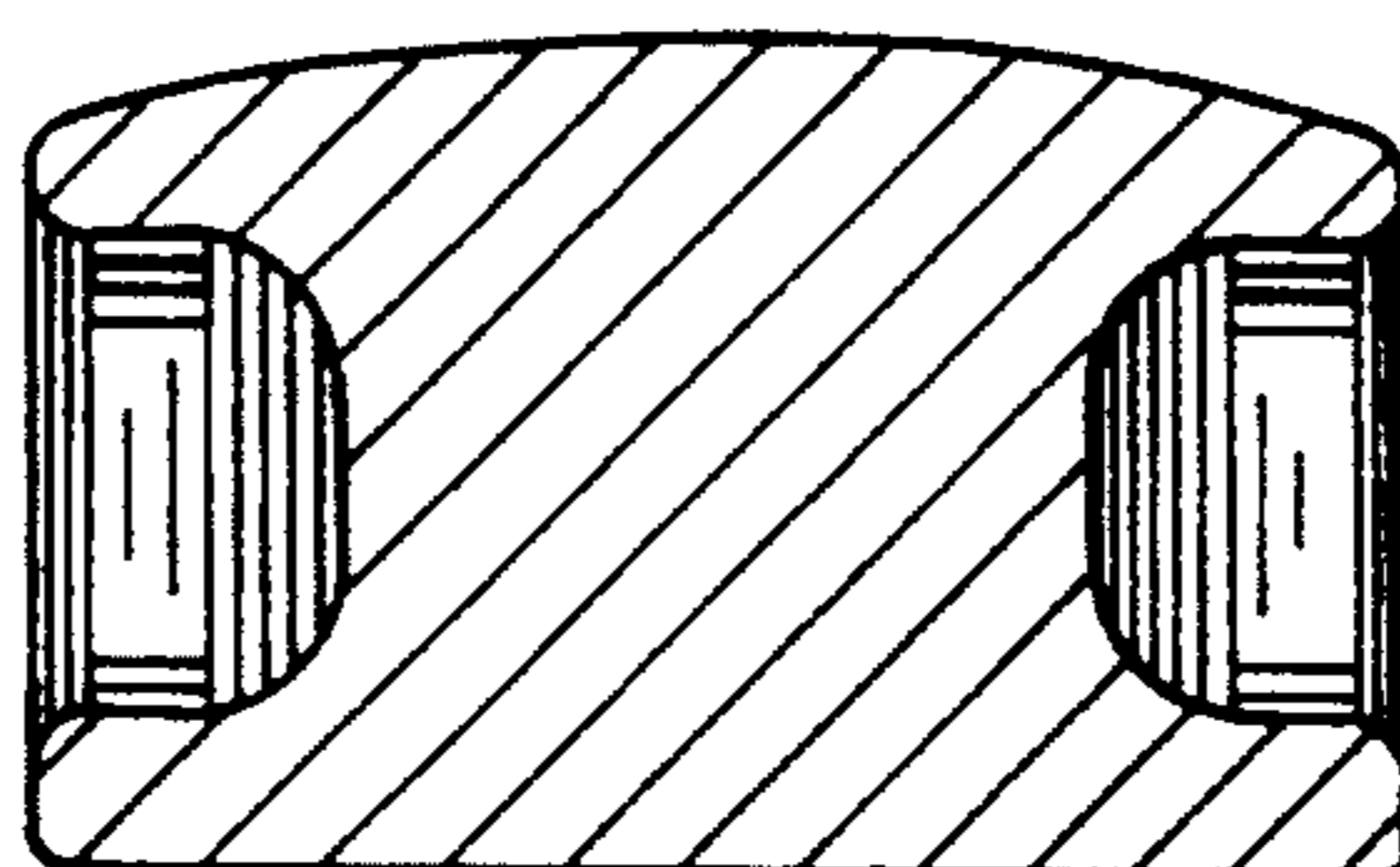


FIG. 14



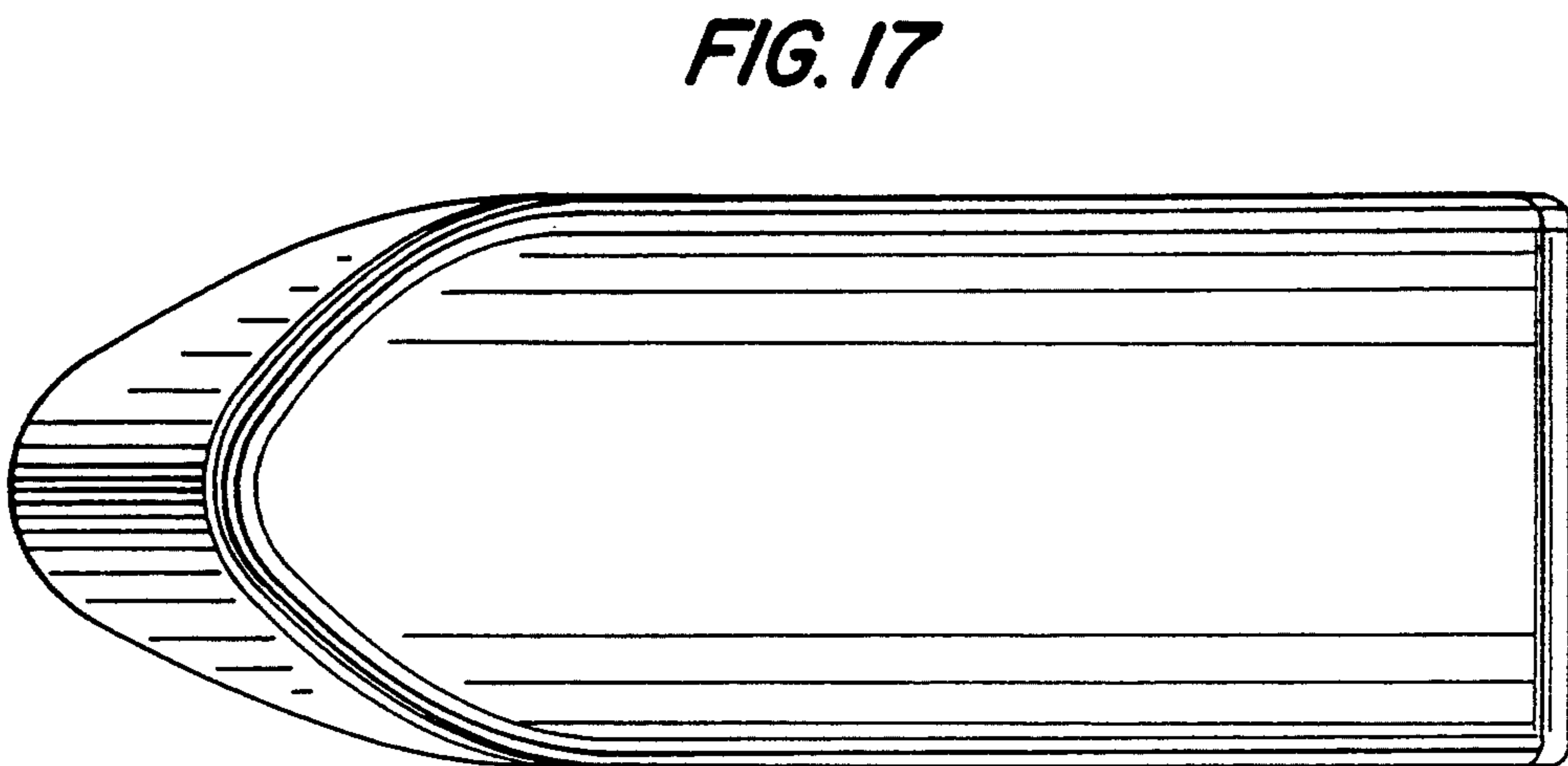
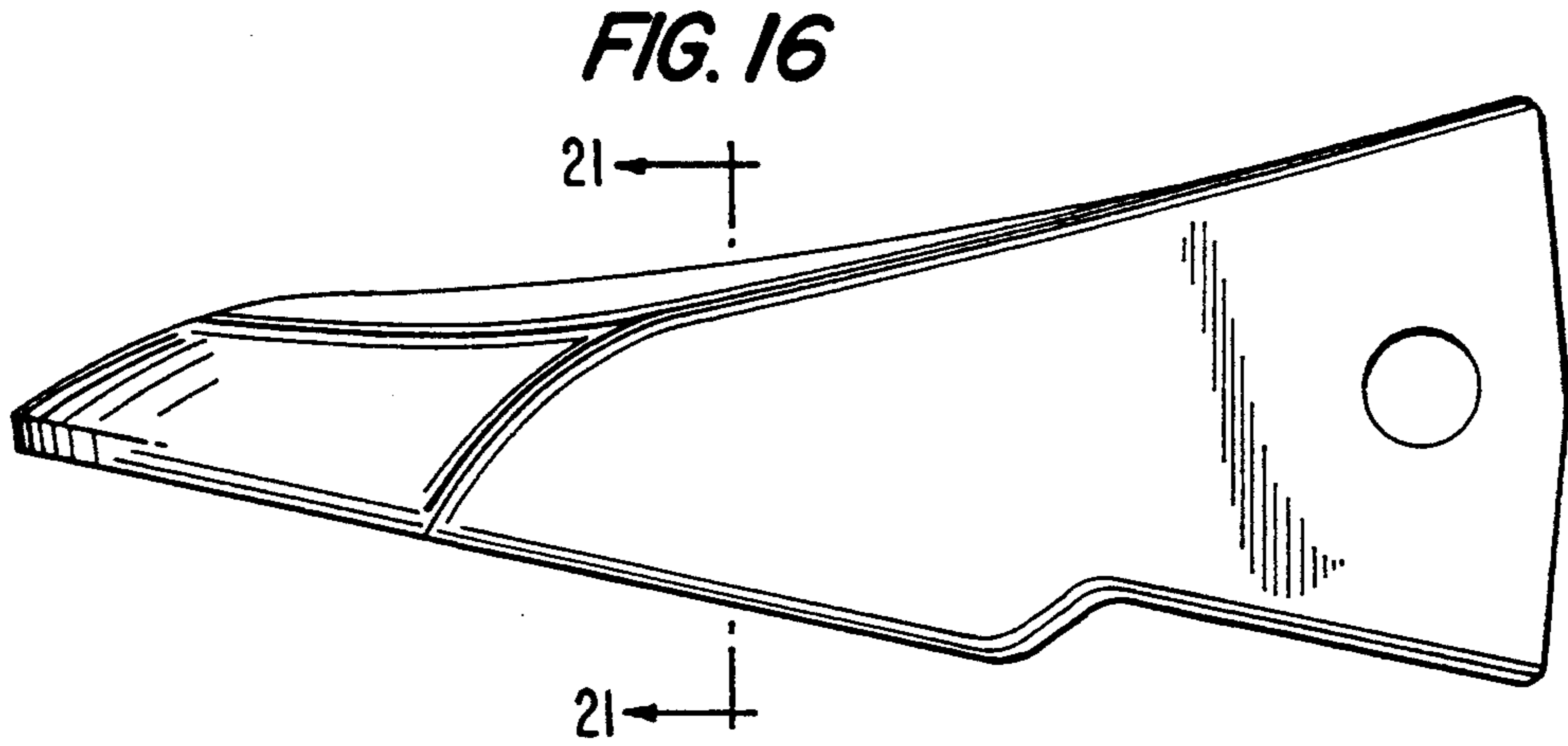
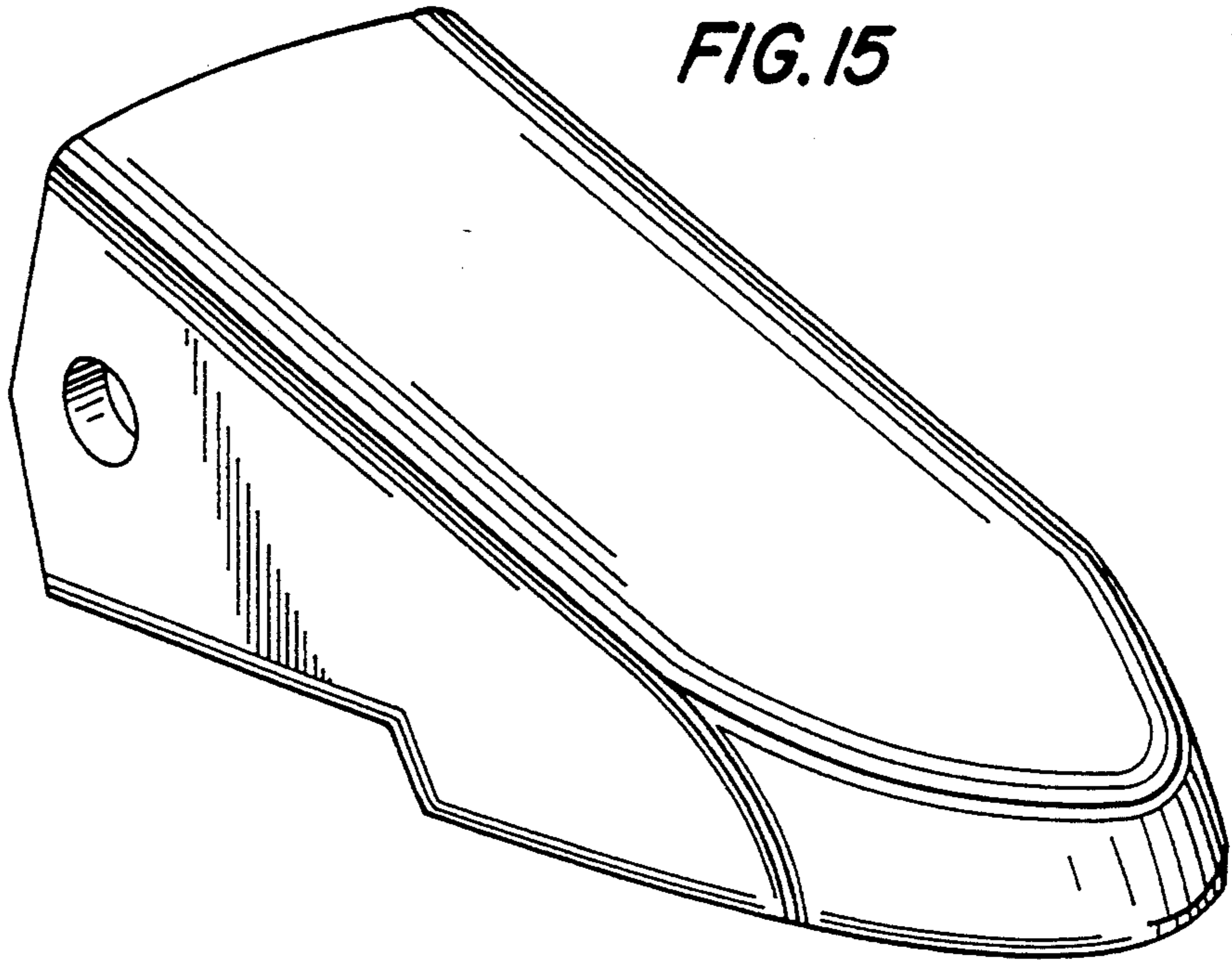


FIG. 18

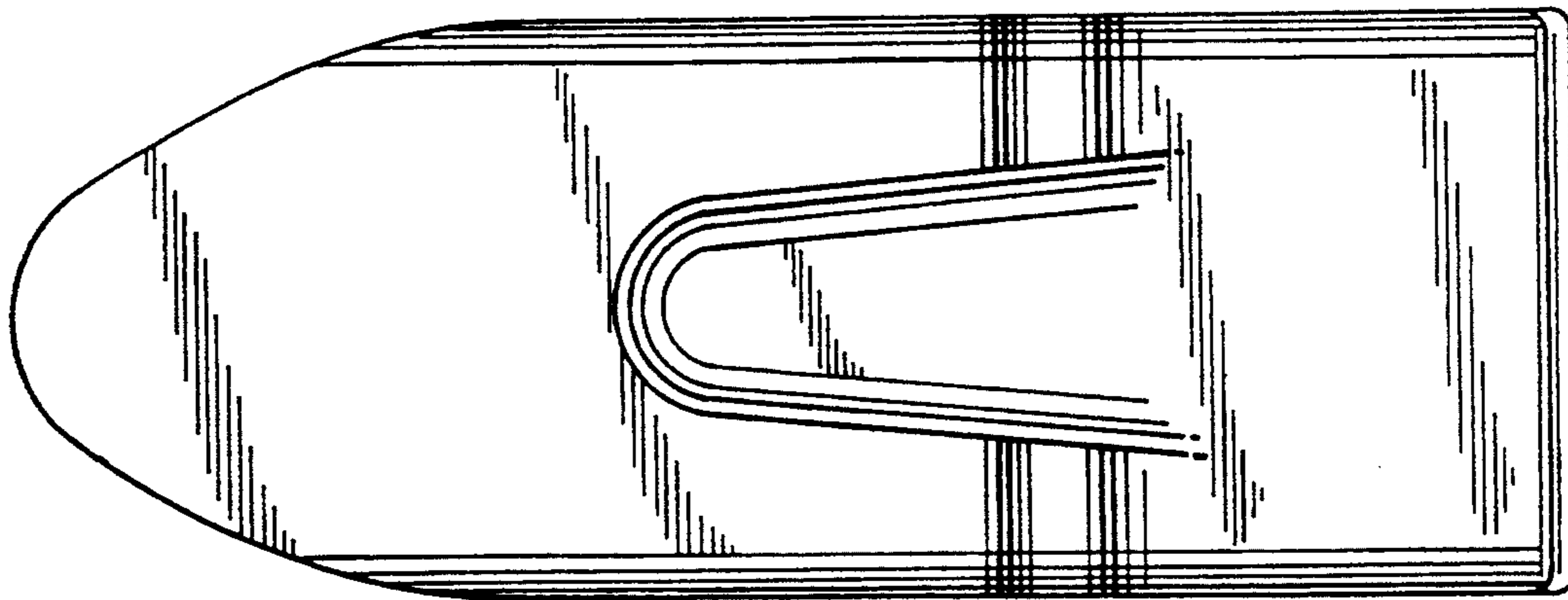


FIG. 19

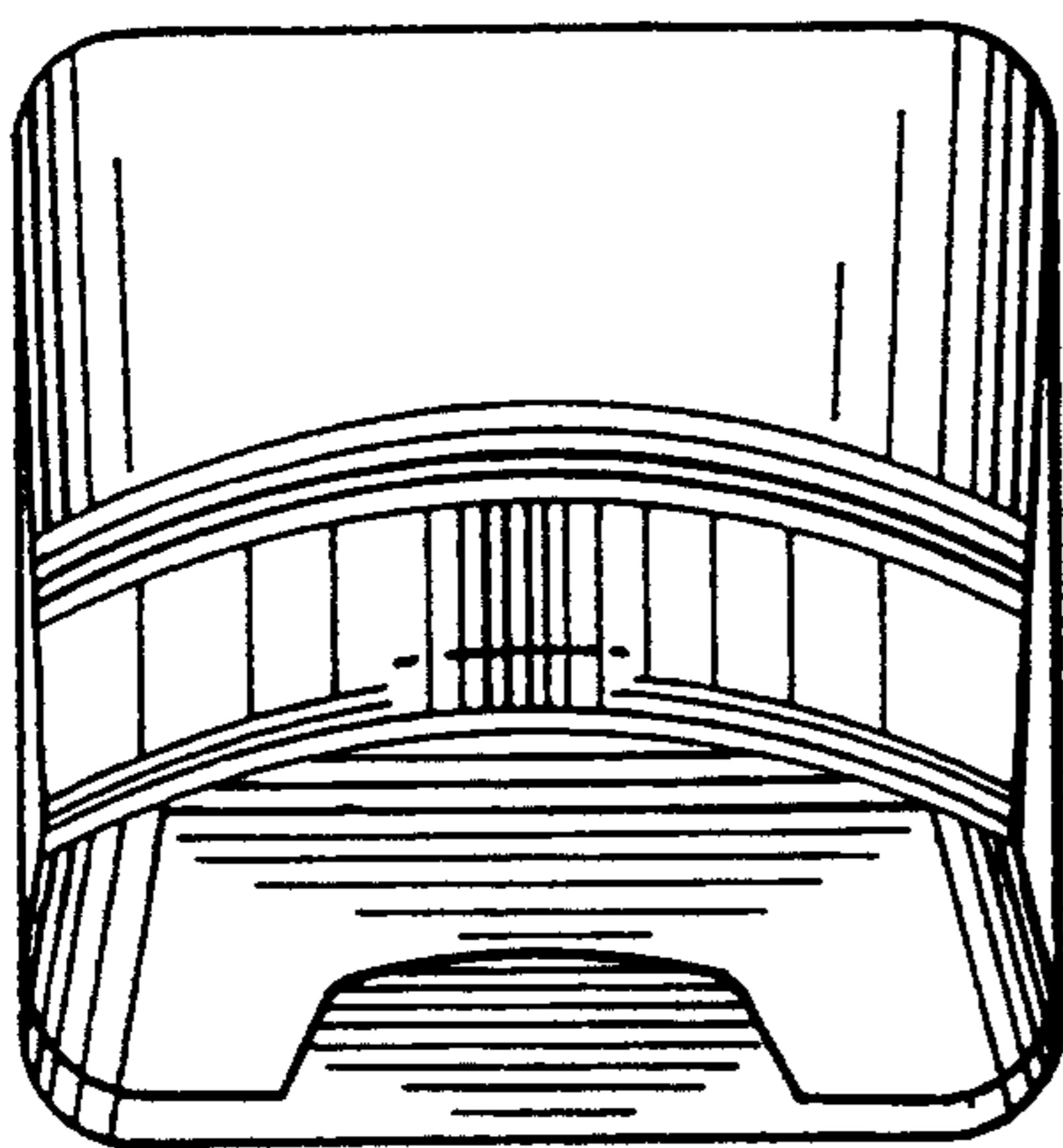


FIG. 20

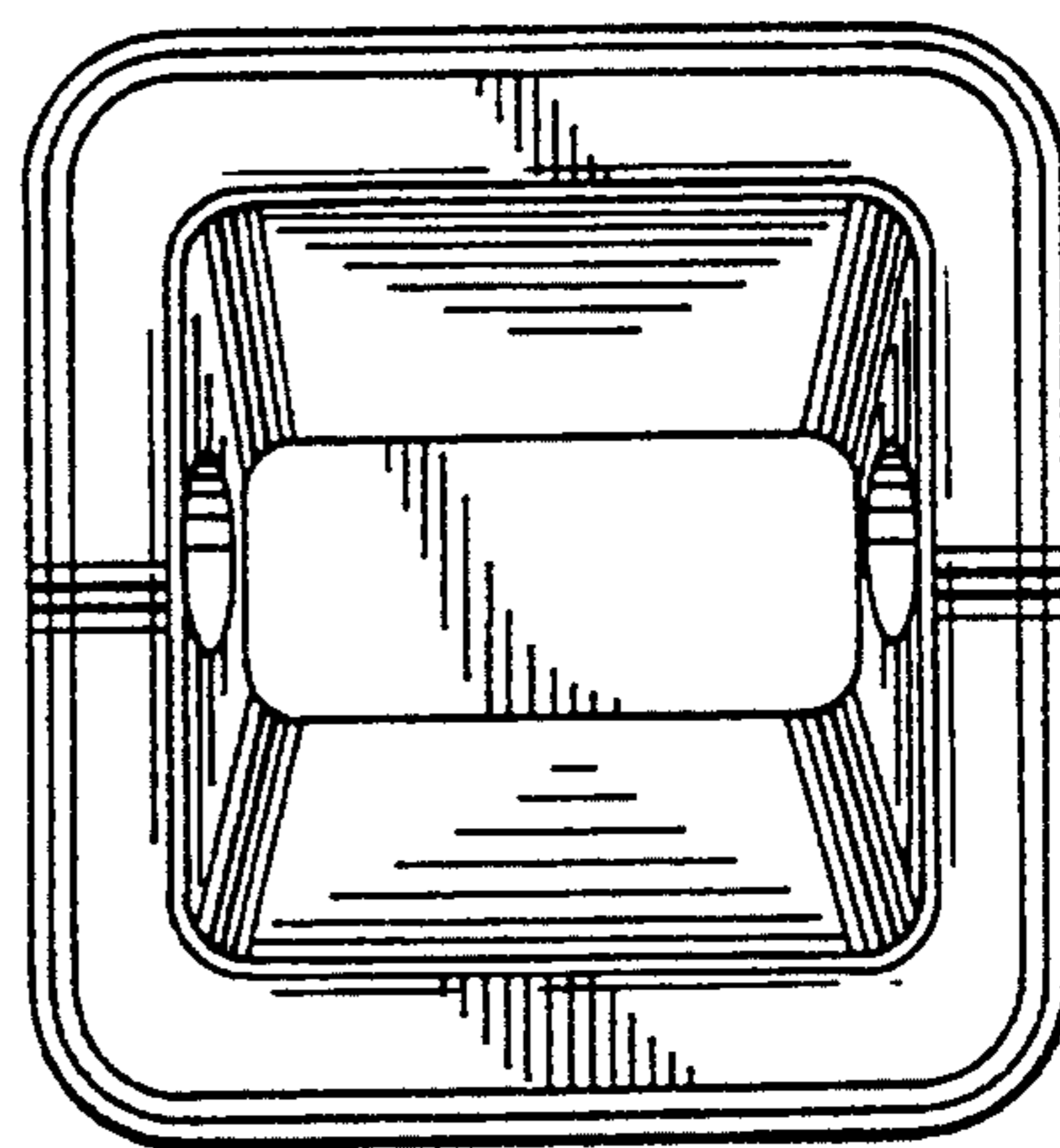


FIG. 21

