



US00D352043S

United States Patent [19]

[11] Patent Number: **Des. 352,043**

Davies, III

[45] Date of Patent: **** Nov. 1, 1994**

[54] **LAWN MOWER ENGINE SHROUD**

4,995,356 2/1991 Kronich 123/198 E

[75] Inventor: **John W. Davies, III**, Plymouth, Wis.

OTHER PUBLICATIONS

[73] Assignee: **The Toro Company**, Bloomington, Minn.

Lawn Boy Catalog, 1987 p. 5 Lawn Boy Push Mower 6431.

[**] Term: **14 Years**

Sears Birthday Catalog, p. 26A Craftsman Mower 38033.

[21] Appl. No.: **8,018**

Lawn-Boy lawn mower catalog, form #215708, copyright 1989 to Outboard Marine Corporation.

[22] Filed: **May 6, 1993**

Primary Examiner—Bernard Ansher

[52] U.S. Cl. **D15/17**

Assistant Examiner—Sandra Morris

[58] Field of Search 56/11.8, 13.4, 16.7, 56/17.4, 17.5, 202, 255, 320.1, 320.2; D15/10, 13-17

Attorney, Agent, or Firm—Donald S. Trevarthen

[57] CLAIM

[56] References Cited

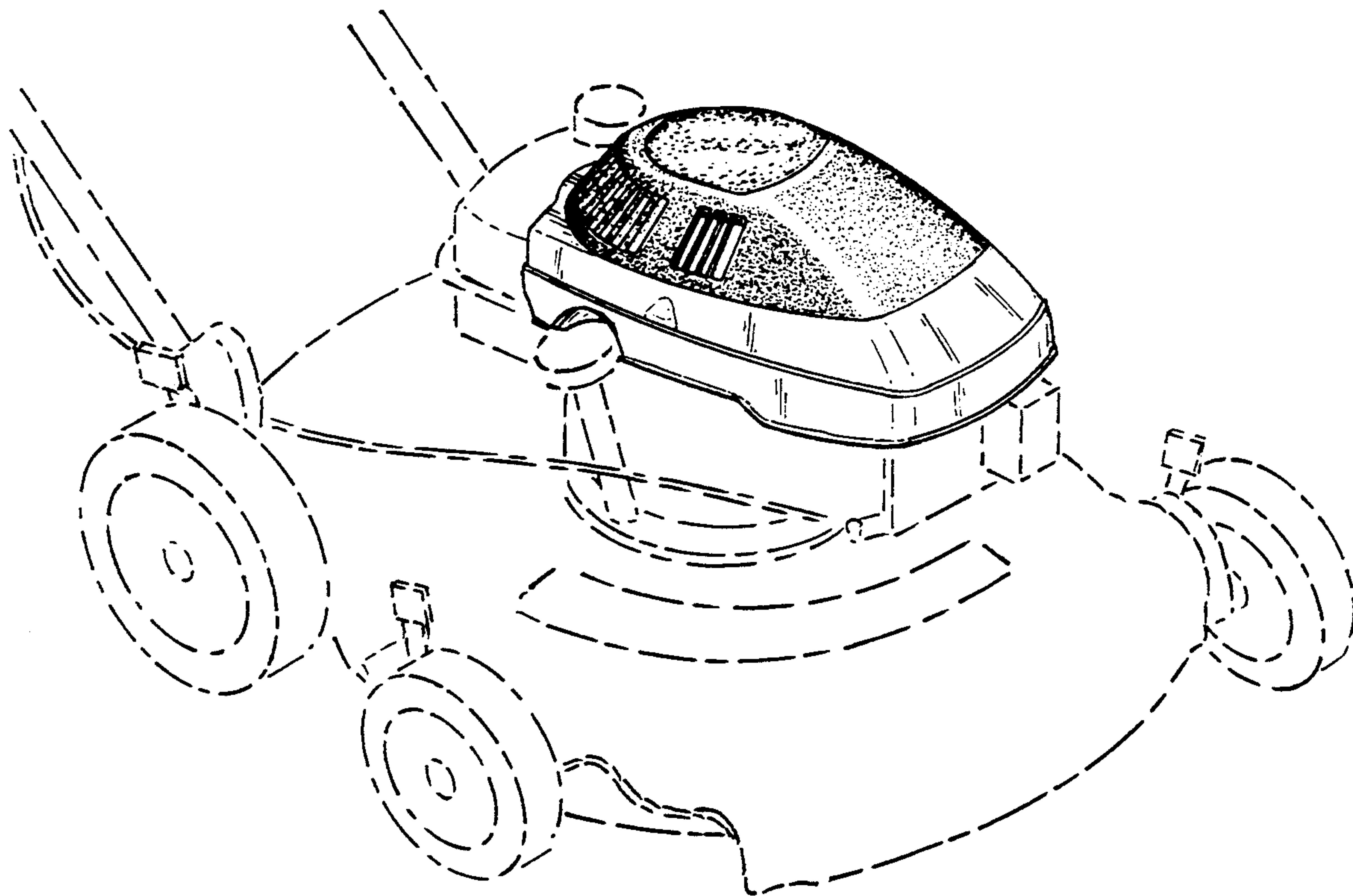
The ornamental design for a lawn mower engine shroud, as shown.

U.S. PATENT DOCUMENTS

DESCRIPTION

D. 211,264	6/1968	Stewart et al.	D15/17
D. 218,766	9/1970	Musichuk	D15/17
D. 232,184	7/1974	Cognata	D15/14
D. 235,910	7/1975	Thorud et al.	D15/17
D. 248,761	8/1978	Uhlinger et al.	D15/17
D. 308,681	6/1990	Sadakane et al.	D15/14
D. 319,447	8/1991	Oshima et al.	D15/14
3,134,375	5/1964	Schurra	123/179
3,536,051	10/1970	Hamman	123/179
4,204,388	5/1980	Dawson	56/320.1
4,711,077	12/1987	Kutsukake et al.	56/255

FIG. 1 is a front perspective view of a lawn mower engine shroud, showing my new design, the broken line showing of the lawn mower is for illustrative purposes only, and forms no part of the claimed design; FIG. 2 is a top plan view thereof, the bottom plan view being plain and unornamented; FIG. 3 is a left side elevational view thereof; FIG. 4 is a right side elevational view thereof; FIG. 5 is a rear elevational view thereof; and, FIG. 6 is a front elevational view thereof.



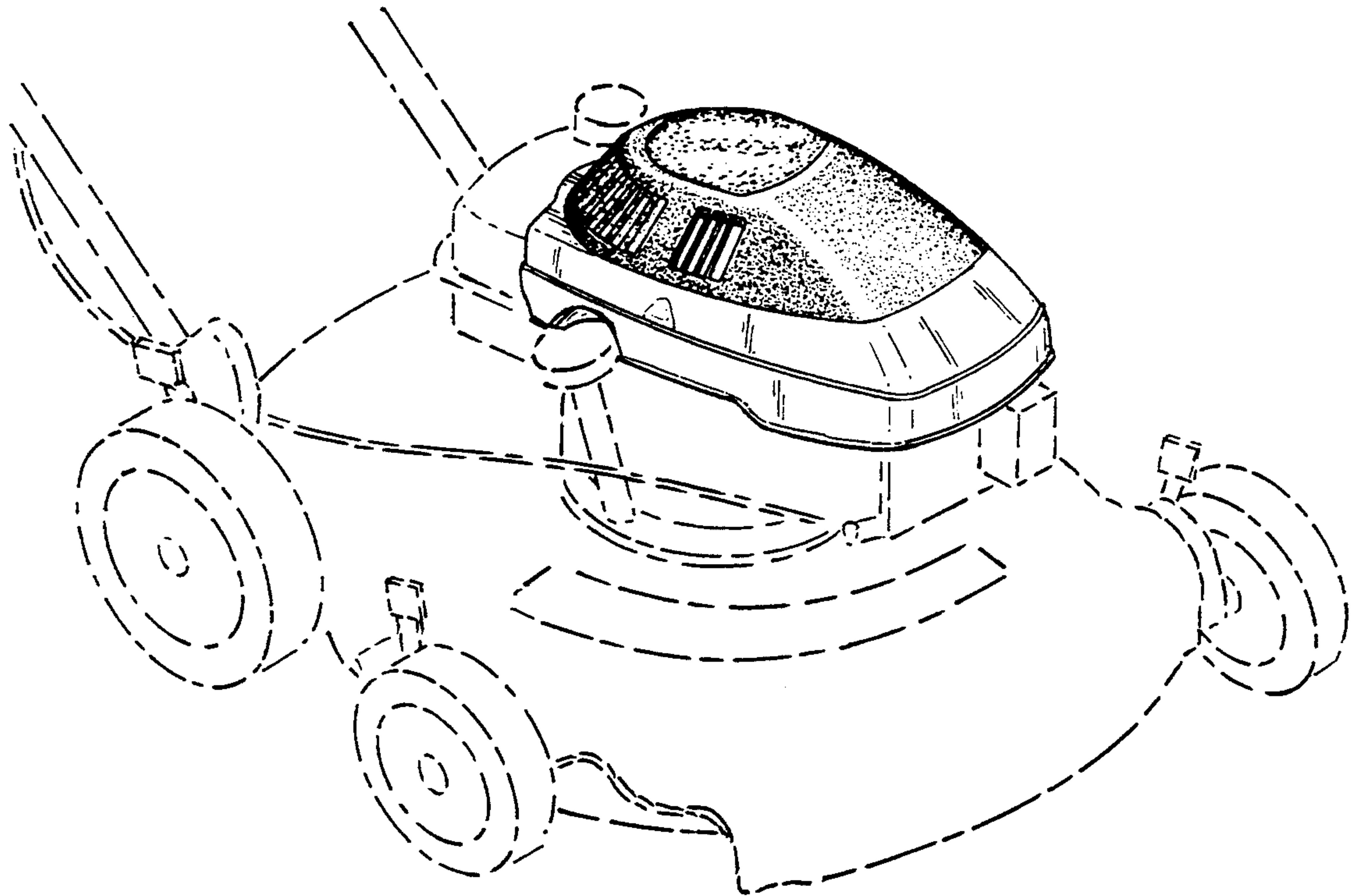


FIG. 1

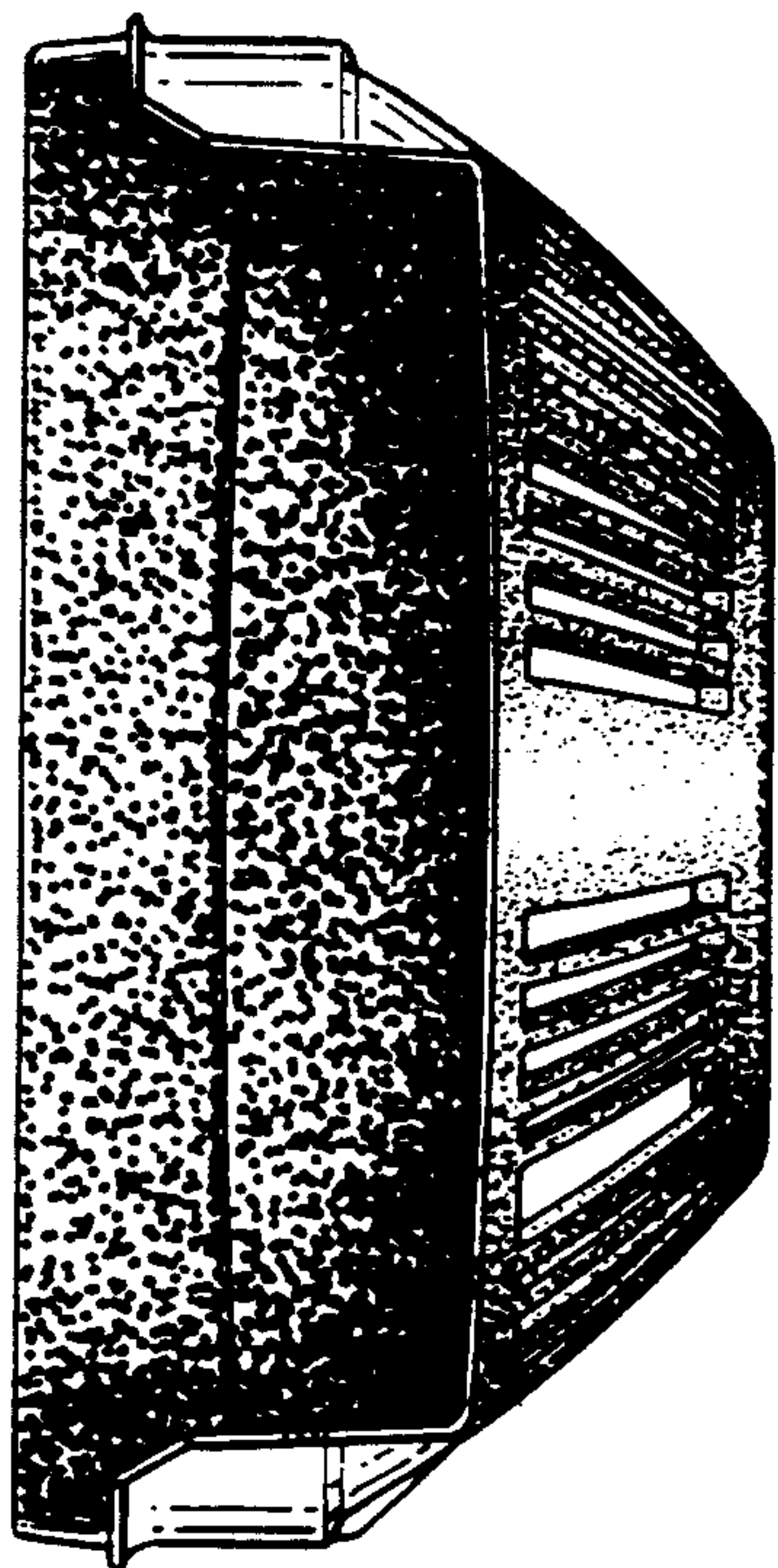


FIG. 5

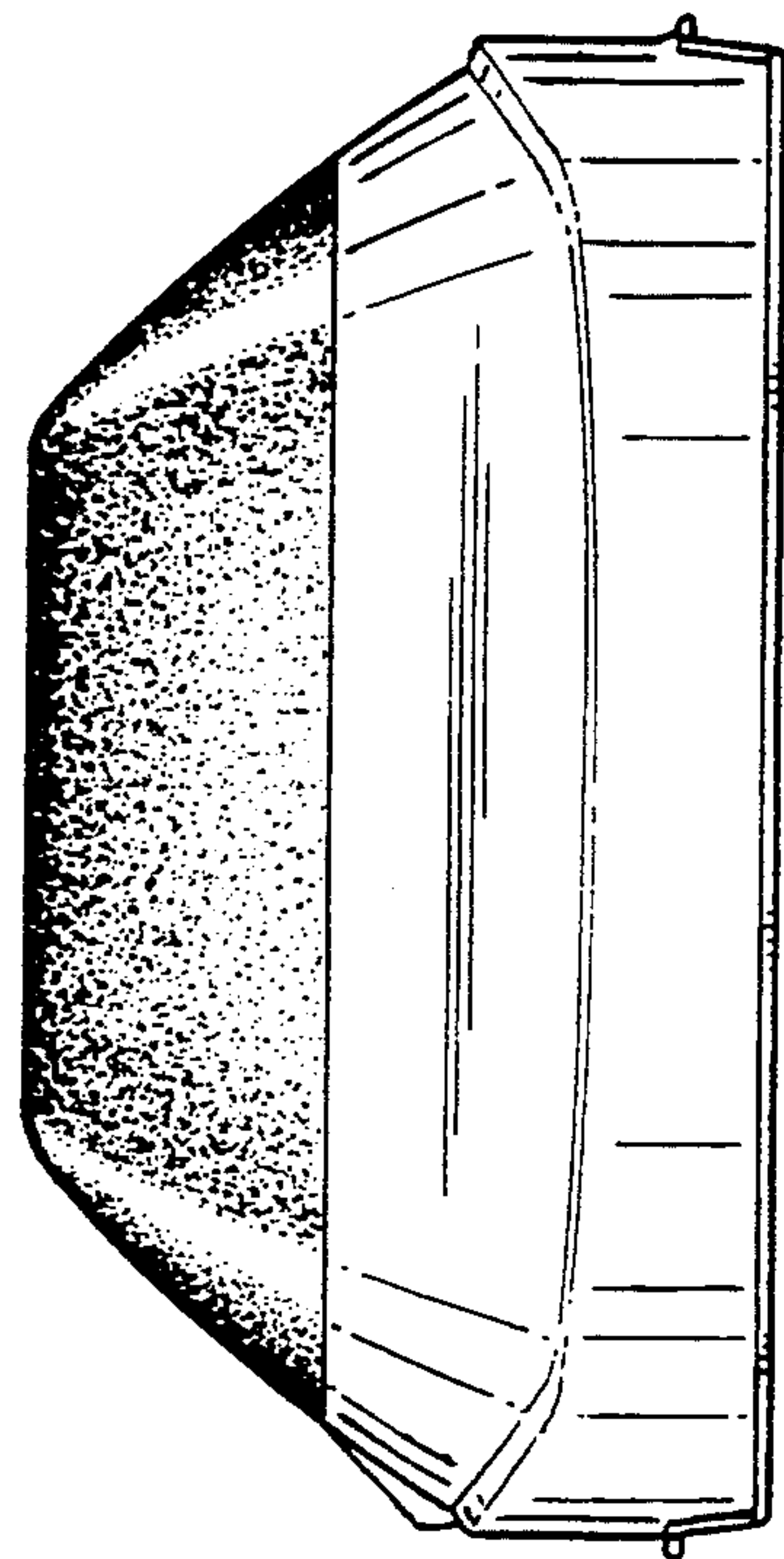


FIG. 6

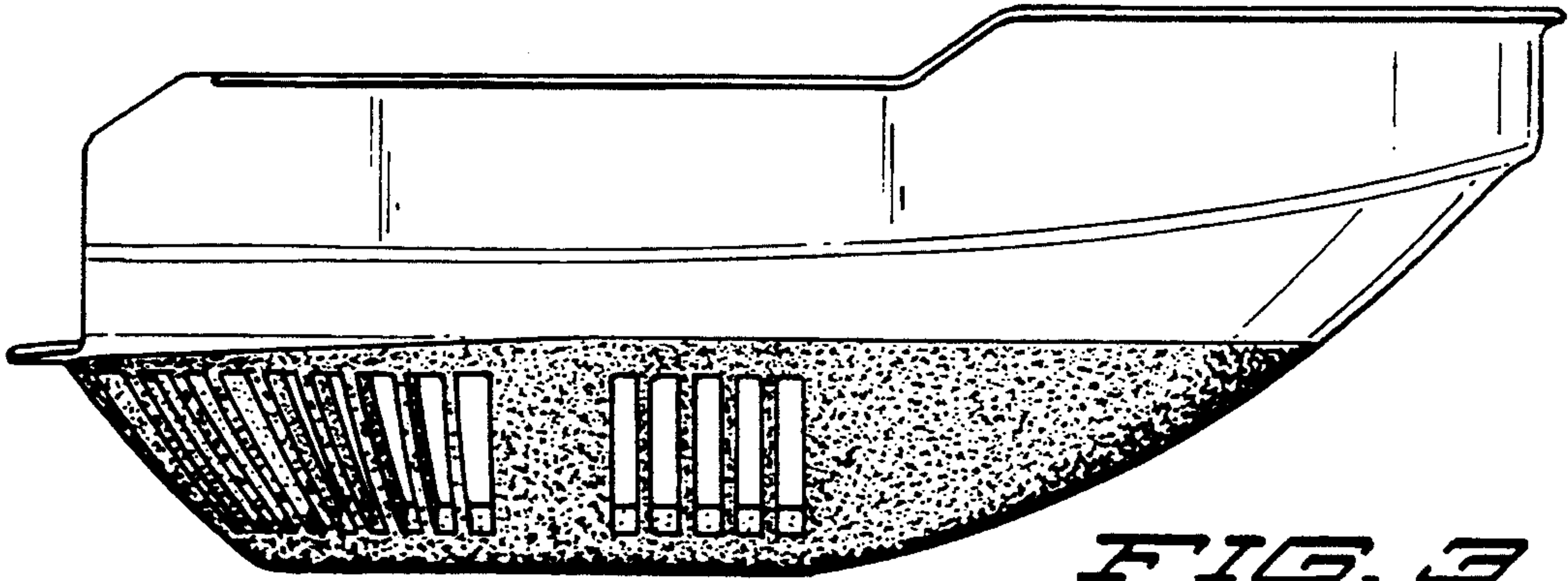


FIG. 3

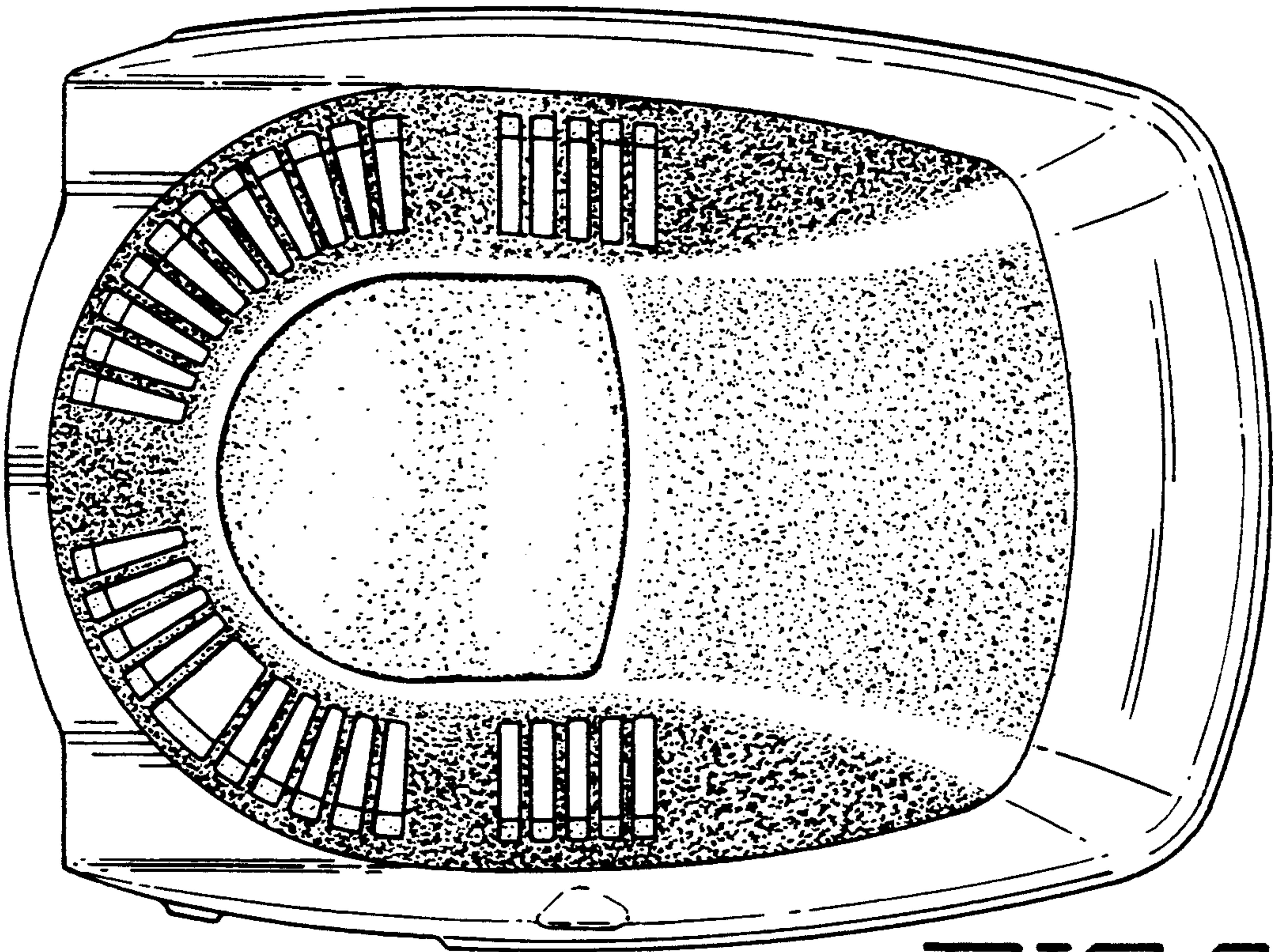


FIG. 4

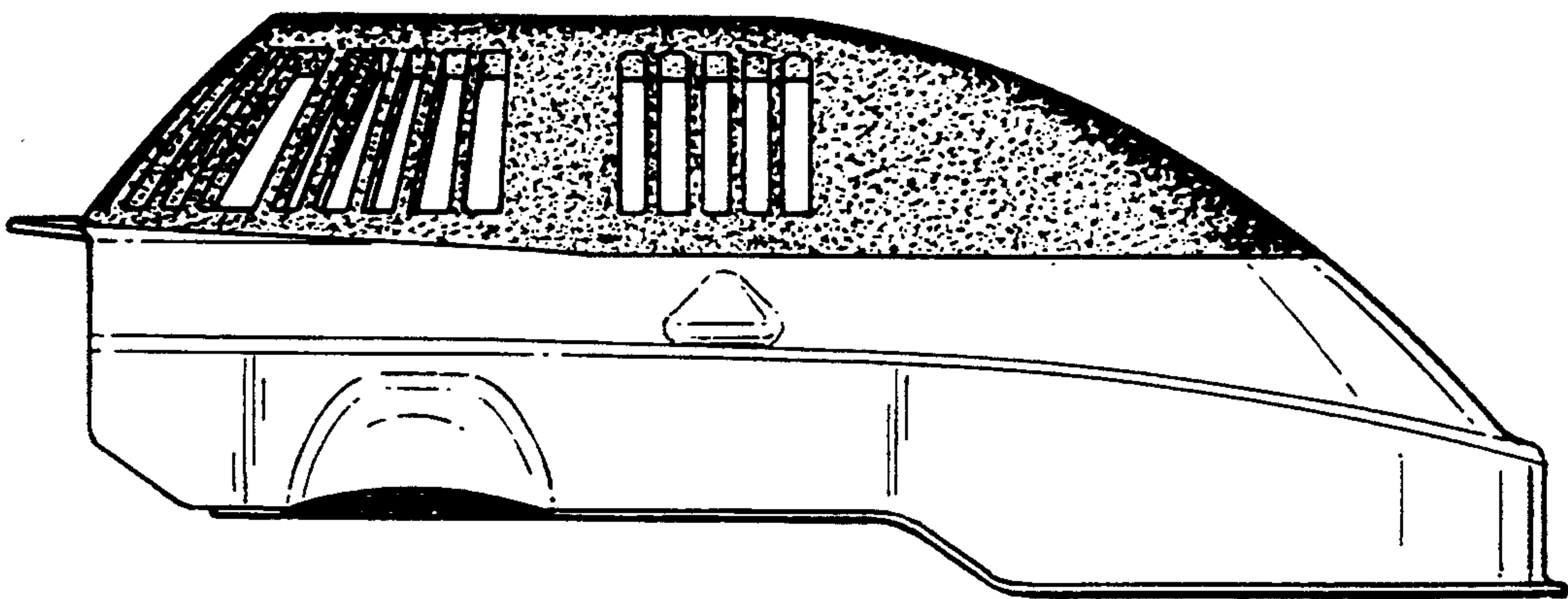


FIG. 5