



US00D352041S

# United States Patent [19]

[11] Patent Number: **Des. 352,041**

**Hansen**

[45] Date of Patent: **\*\* Nov. 1, 1994**

[54] AIR COMPRESSOR

[75] Inventor: **Craig N. Hansen, Minnetonka, Minn.**

[73] Assignee: **Hansen Engine Corporation, Minnetonka, Minn.**

[\*\*] Term: **14 Years**

[21] Appl. No.: **4,478**

[22] Filed: **Feb. 5, 1993**

[52] U.S. Cl. .... **D15/9; D15/7**

[58] Field of Search ..... 417/234, 229, 321, 410, 417/411, 265, 415, 405, 38, 40; D15/7-9.1

D. 293,447	12/1987	Hefling	.....	D15/9
D. 301,247	5/1989	Prevosto	.....	D15/9
D. 303,394	9/1989	Mariol	.....	D15/9
3,776,667	12/1973	Berglund et al.	.	
4,077,747	3/1978	Burenga	.....	417/234
4,631,006	12/1986	Murry	.....	417/234

*Primary Examiner*—Ralf T. Seifert  
*Attorney, Agent, or Firm*—Burd, Bartz & Gutenkauf

### [57] CLAIM

The ornamental design of an air compressor, as shown and described.

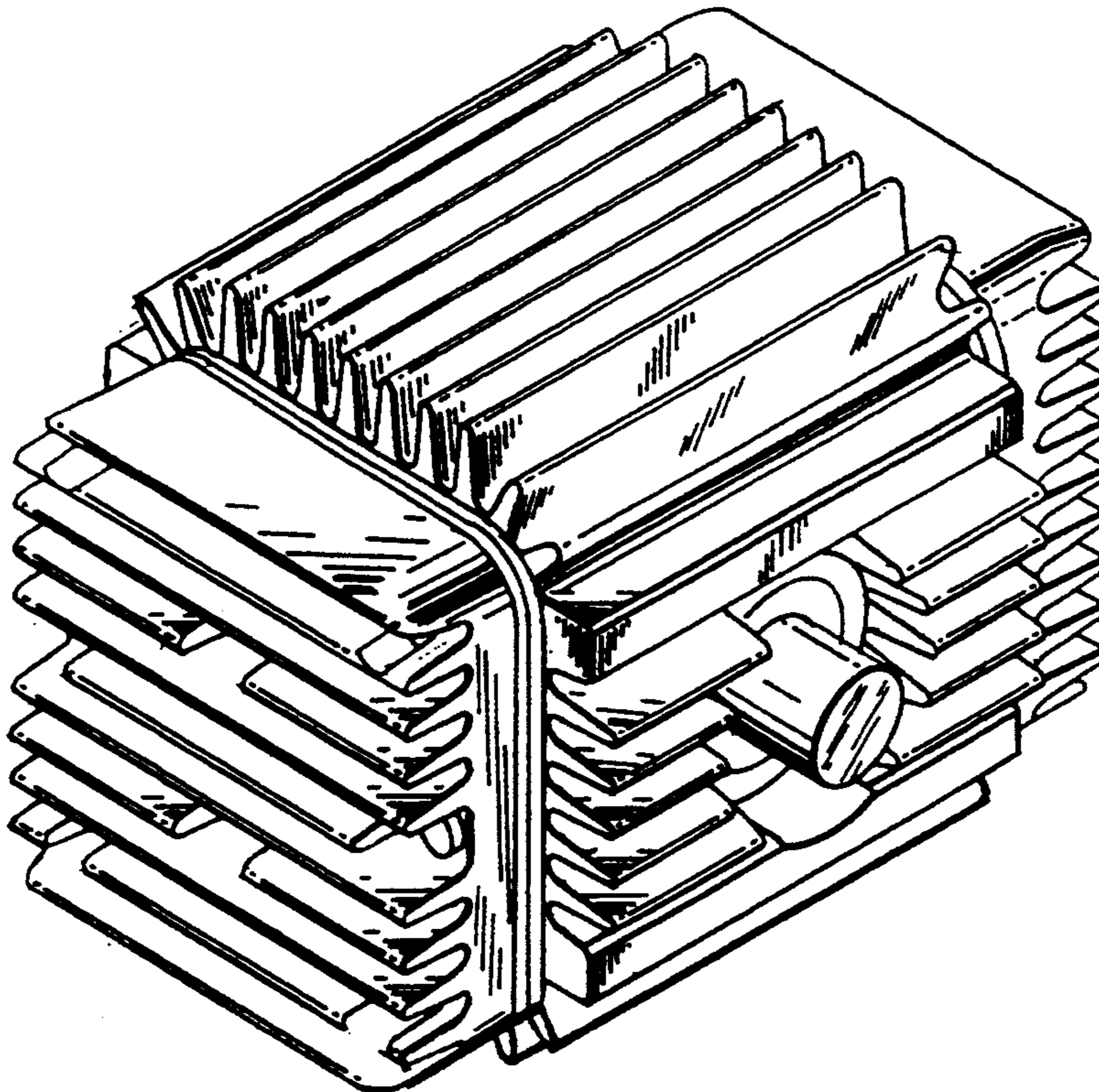
### DESCRIPTION

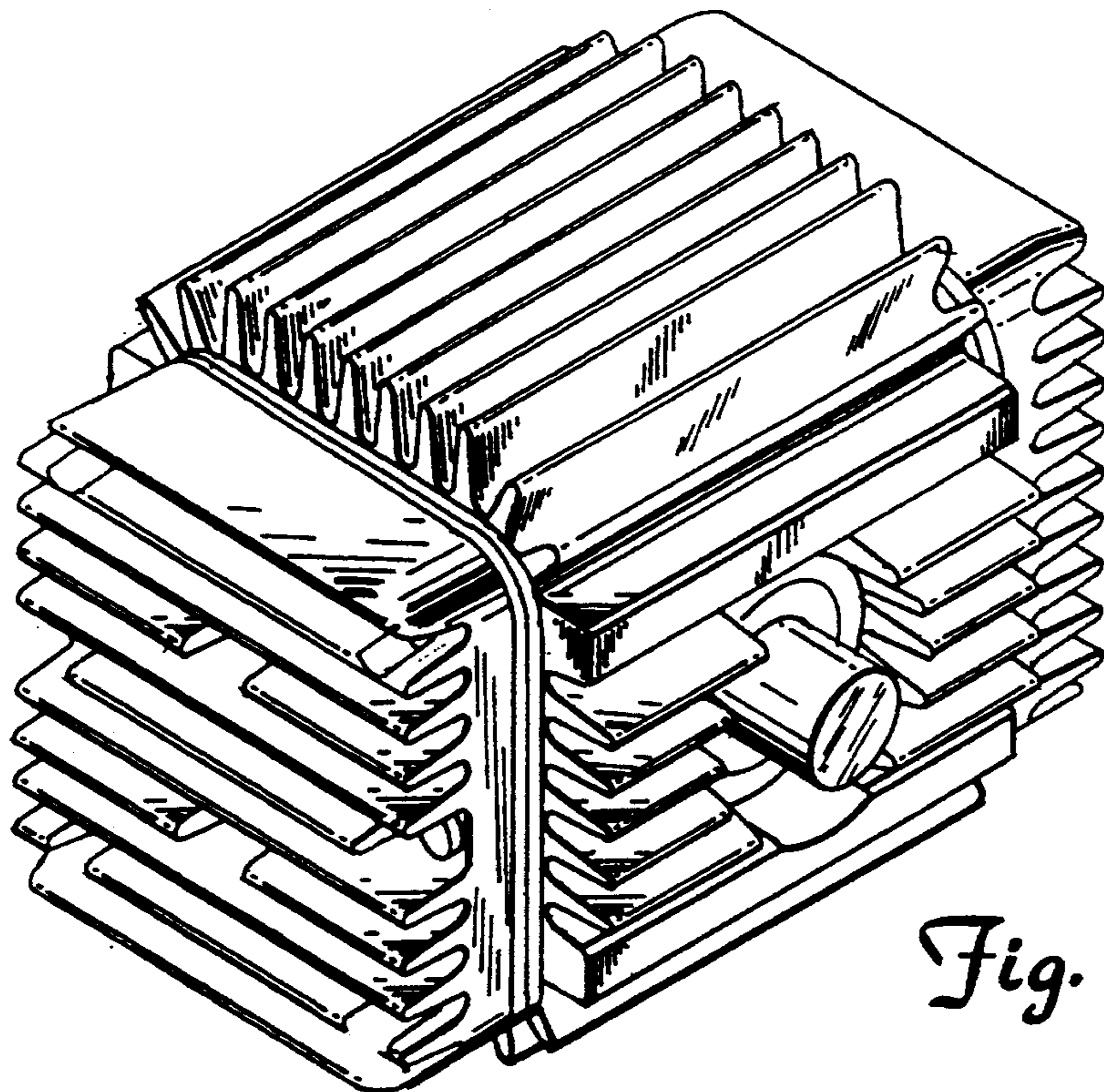
FIG. 1 is a perspective view of the air compressor showing my new design;  
 FIG. 2 is a front elevational view thereof;  
 FIG. 3 is a rear elevational view thereof;  
 FIG. 4 is a top plan view thereof, the bottom plan view is a mirror image; and,  
 FIG. 5 is an end elevational view thereof, the opposite end elevational view being a mirror image.

### [56] References Cited

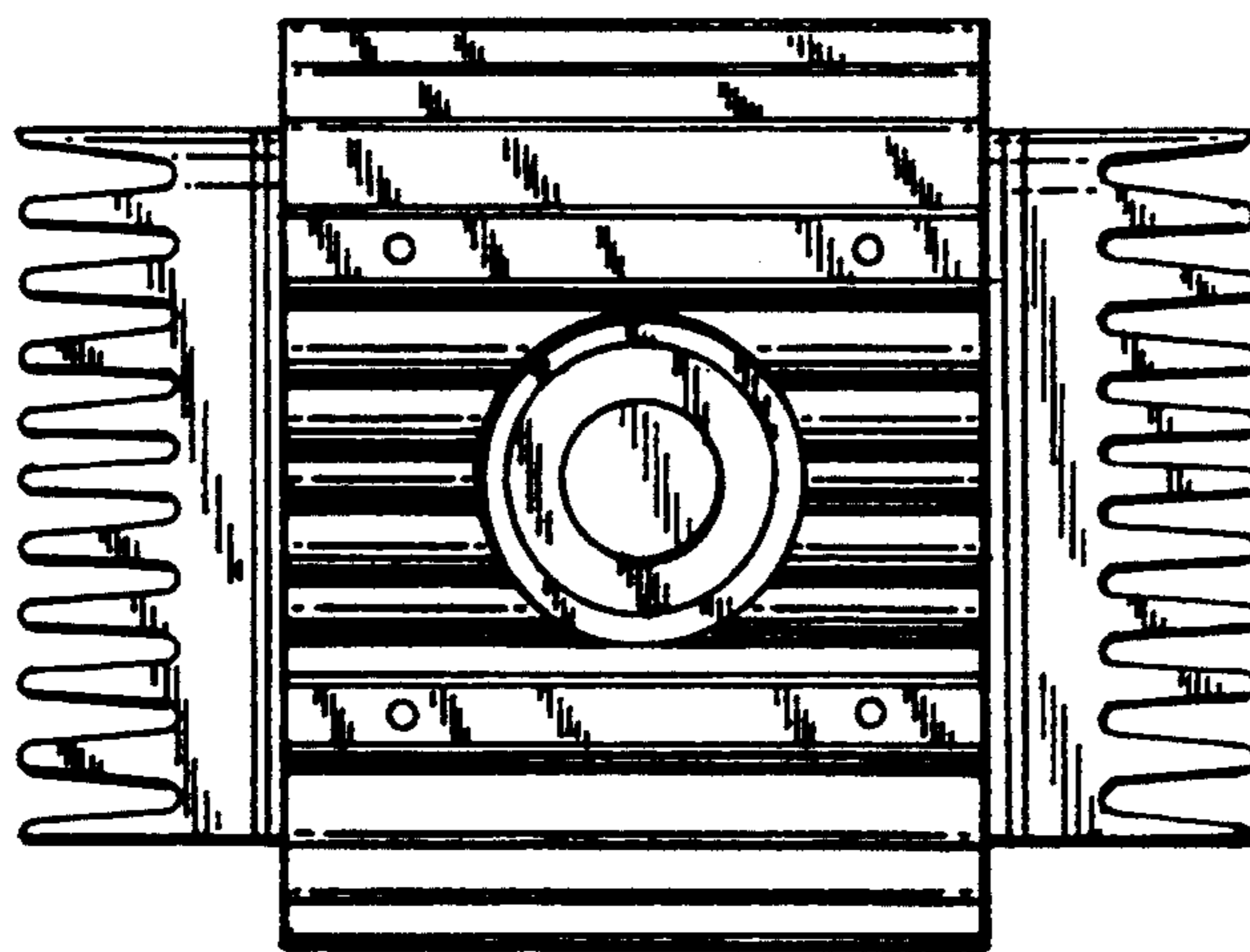
#### U.S. PATENT DOCUMENTS

D. 222,846	1/1972	Kondo	.....	D15/9
D. 271,203	11/1983	Schütt et al.	.....	D15/9
D. 273,957	5/1984	Boswell	.....	D15/9
D. 273,958	5/1984	Mariol	.....	D15/9
D. 289,051	3/1987	Bellefire	.....	D15/7

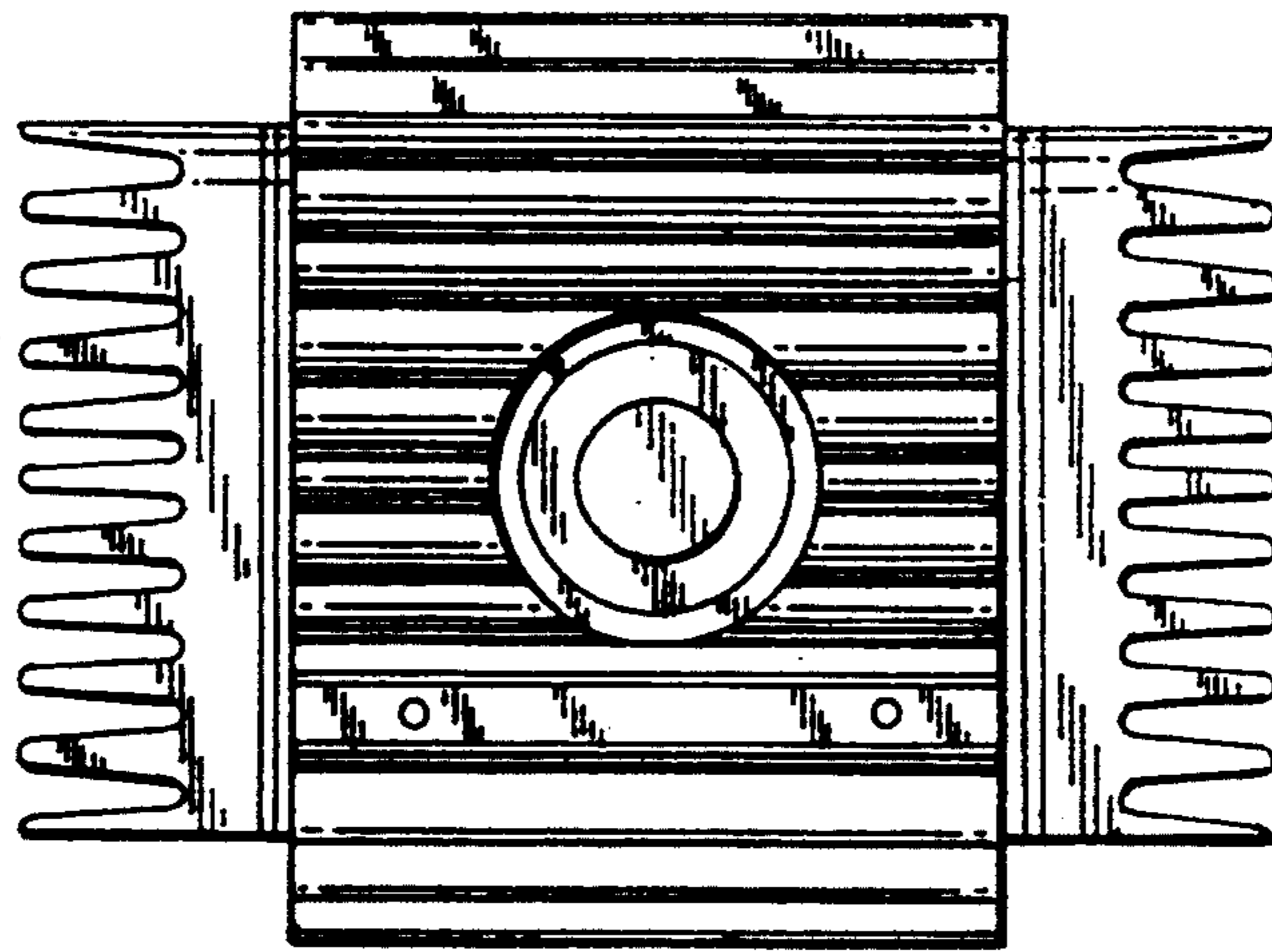




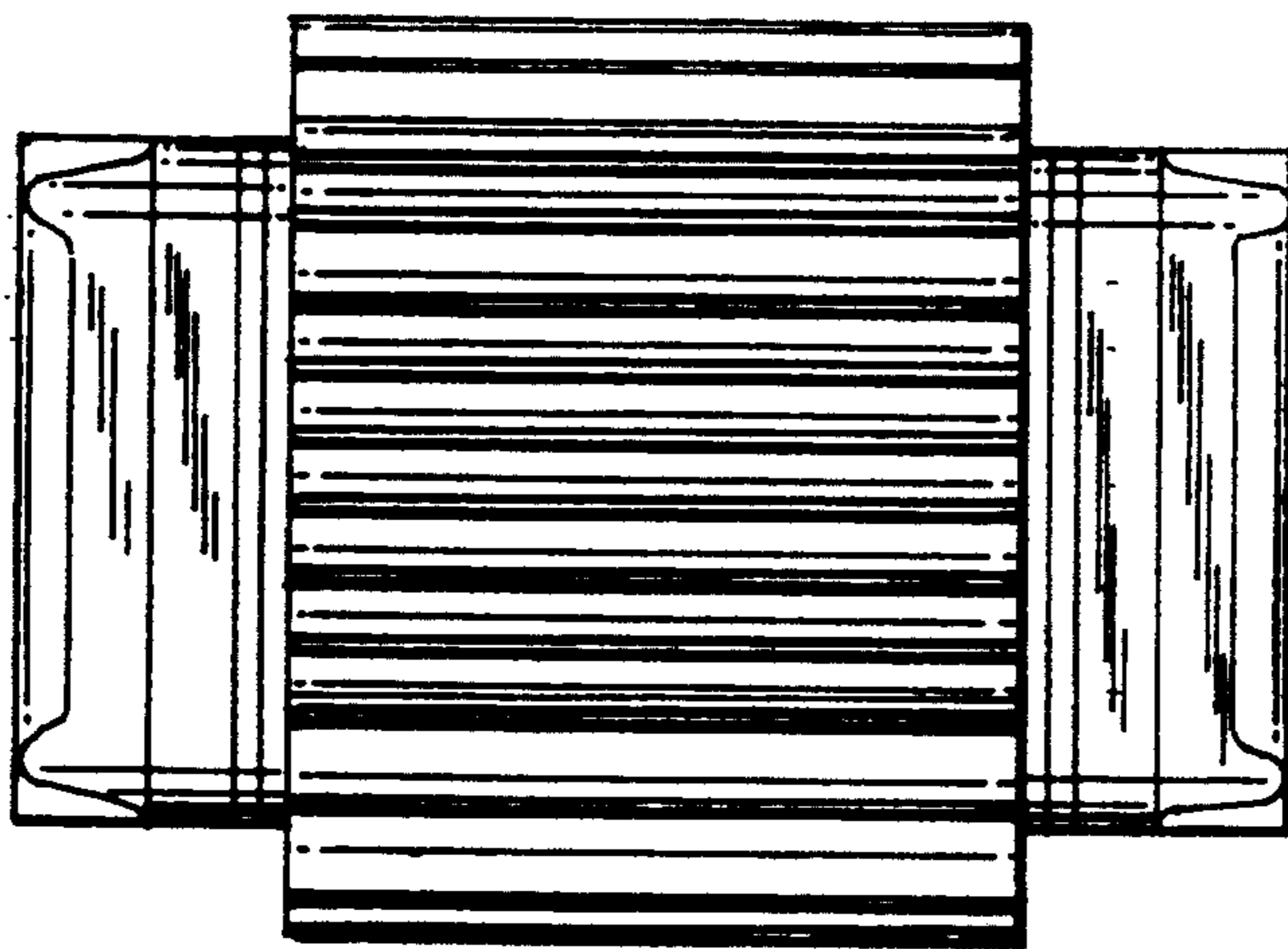
*Fig. 1*



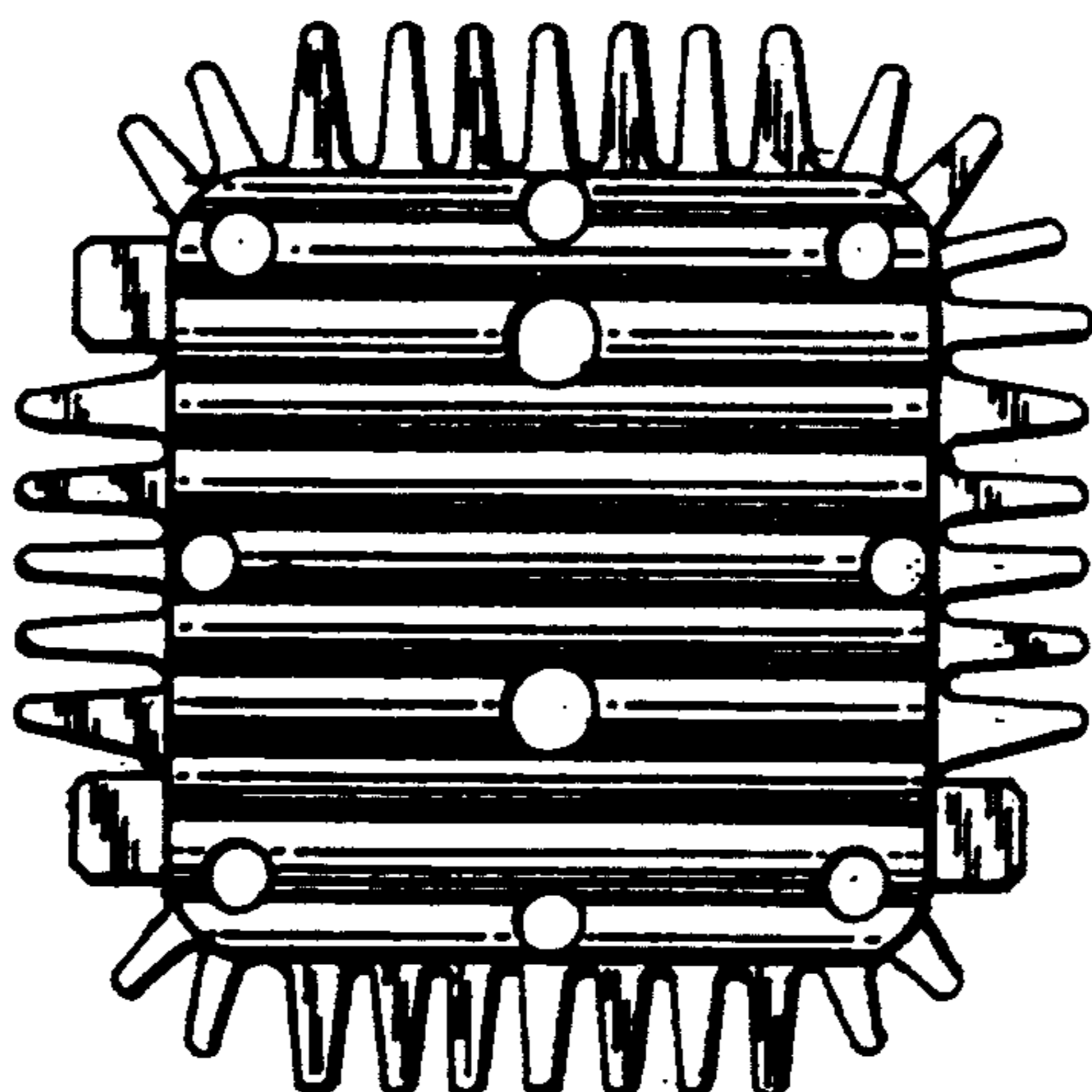
*Fig. 2*



*Fig. 3*



*Fig. 4*



*Fig. 5*