



US00D352019S

United States Patent [19]

[11] Patent Number: **Des. 352,019**

Rivero et al.

[45] Date of Patent: **** Nov. 1, 1994**

[54] **IMPACT ABSORBING VEHICLE BUMPER**

5,215,343 6/1993 Fortune 293/146

[76] Inventors: **Jose Rivero; Juan Matturro**, both of
401 Memory La., Houston, Tex.
77037

Primary Examiner—James M. Gandy
Attorney, Agent, or Firm—Terry M. Gernstein

[**] Term: **14 Years**

[57] **CLAIM**

[21] Appl. No.: **9,265**

The ornamental design for an impact absorbing vehicle bumper, as shown and described.

[22] Filed: **Jun. 10, 1993**

DESCRIPTION

[52] U.S. Cl. **D12/169**

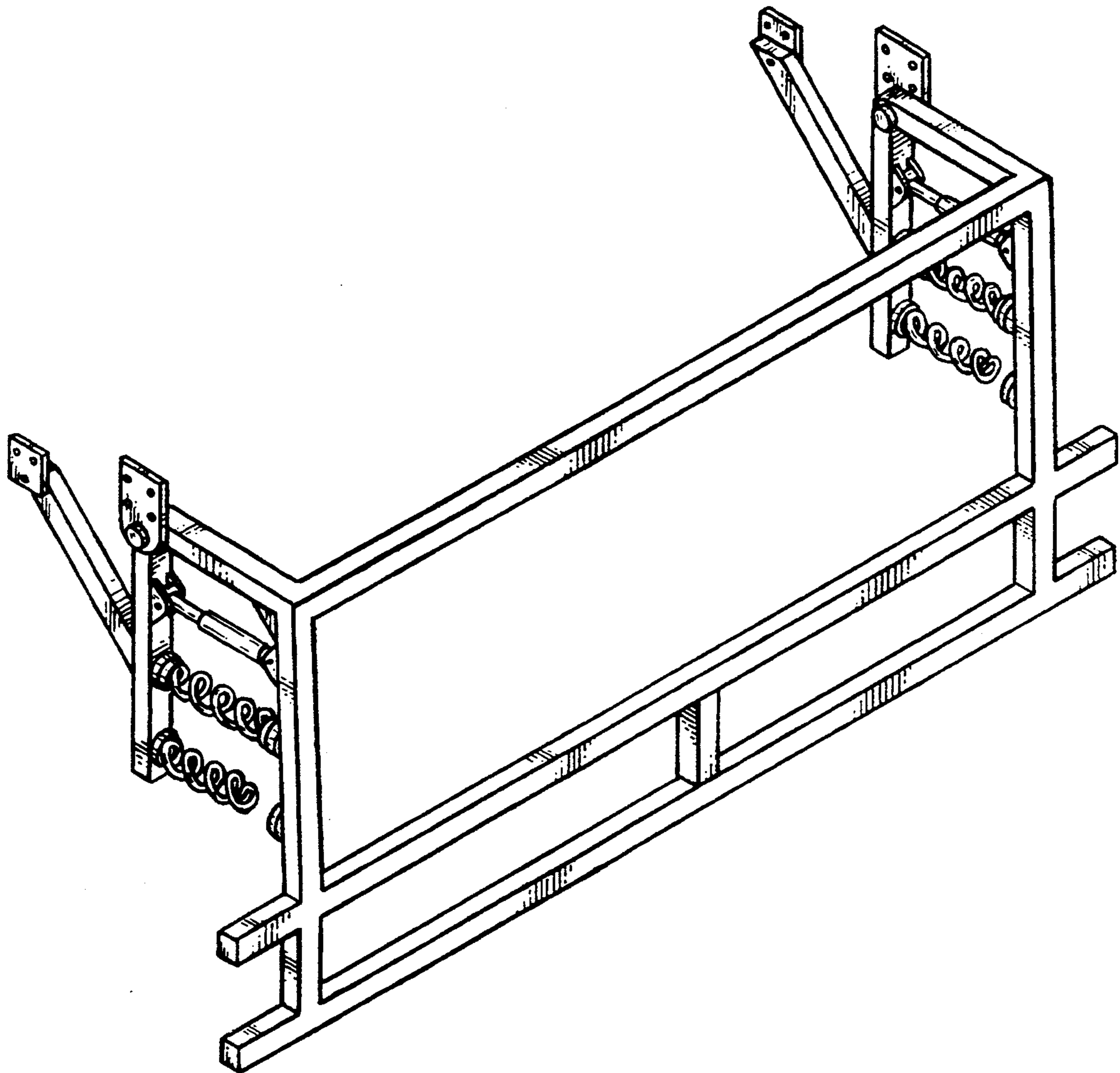
[58] Field of Search 293/102, 131, 132, 134,
293/137, 146, 148, 115; D12/169, 170, 171

FIG. 1 is a perspective view of the impact absorbing vehicle bumper showing our new design; FIG. 2 is a front elevational view thereof; FIG. 3 is a rear elevational view thereof; FIG. 4 is a side elevational view thereof, the side opposite being a mirror image of the side shown in FIG. 4; FIG. 5 is a top plan view thereof; and, FIG. 6 is a bottom plan view thereof.

[56] **References Cited**

U.S. PATENT DOCUMENTS

- D. 269,423 6/1983 Waite D12/169
- D. 300,128 3/1989 Brennan D12/169



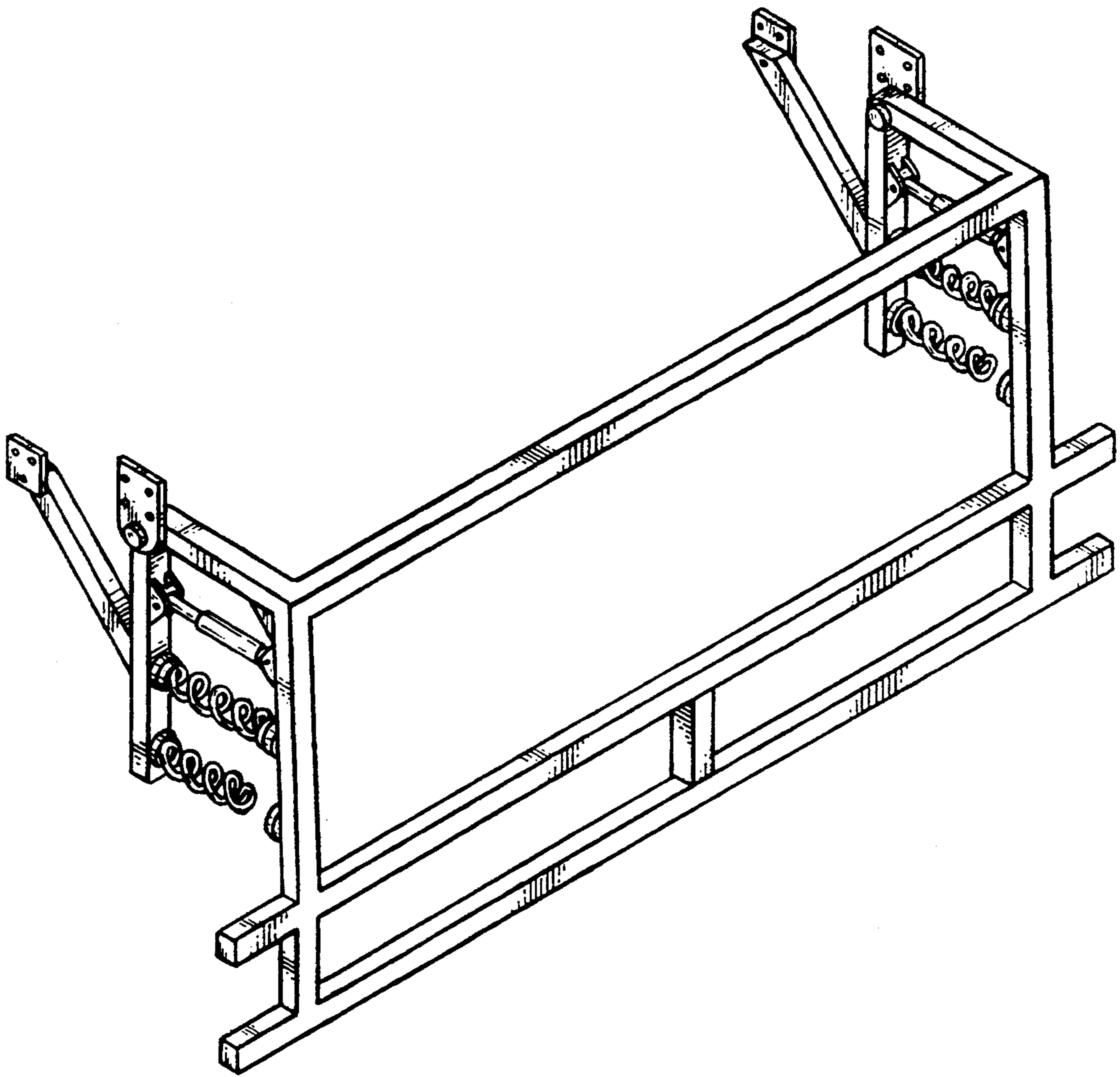


FIG. 1

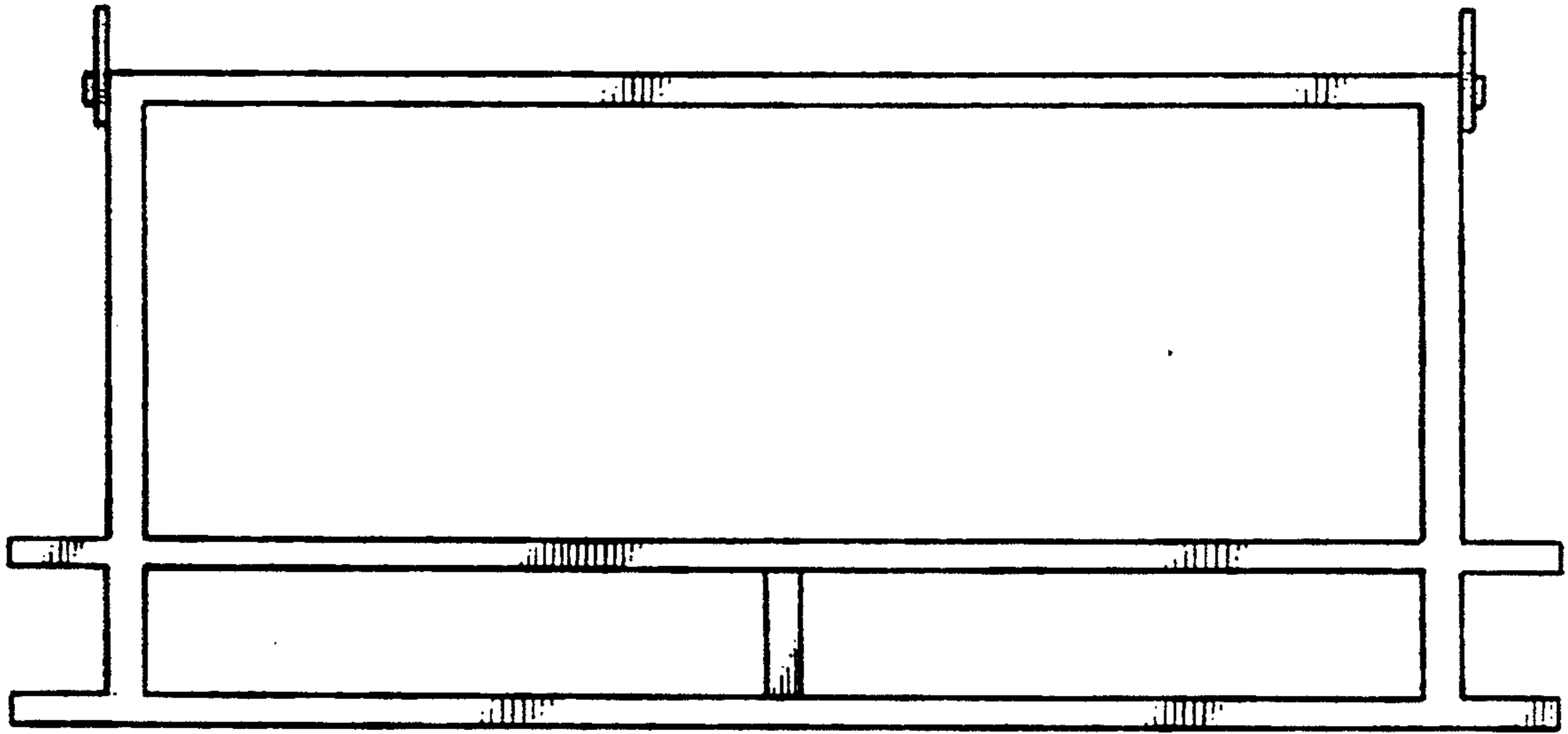


FIG. 2

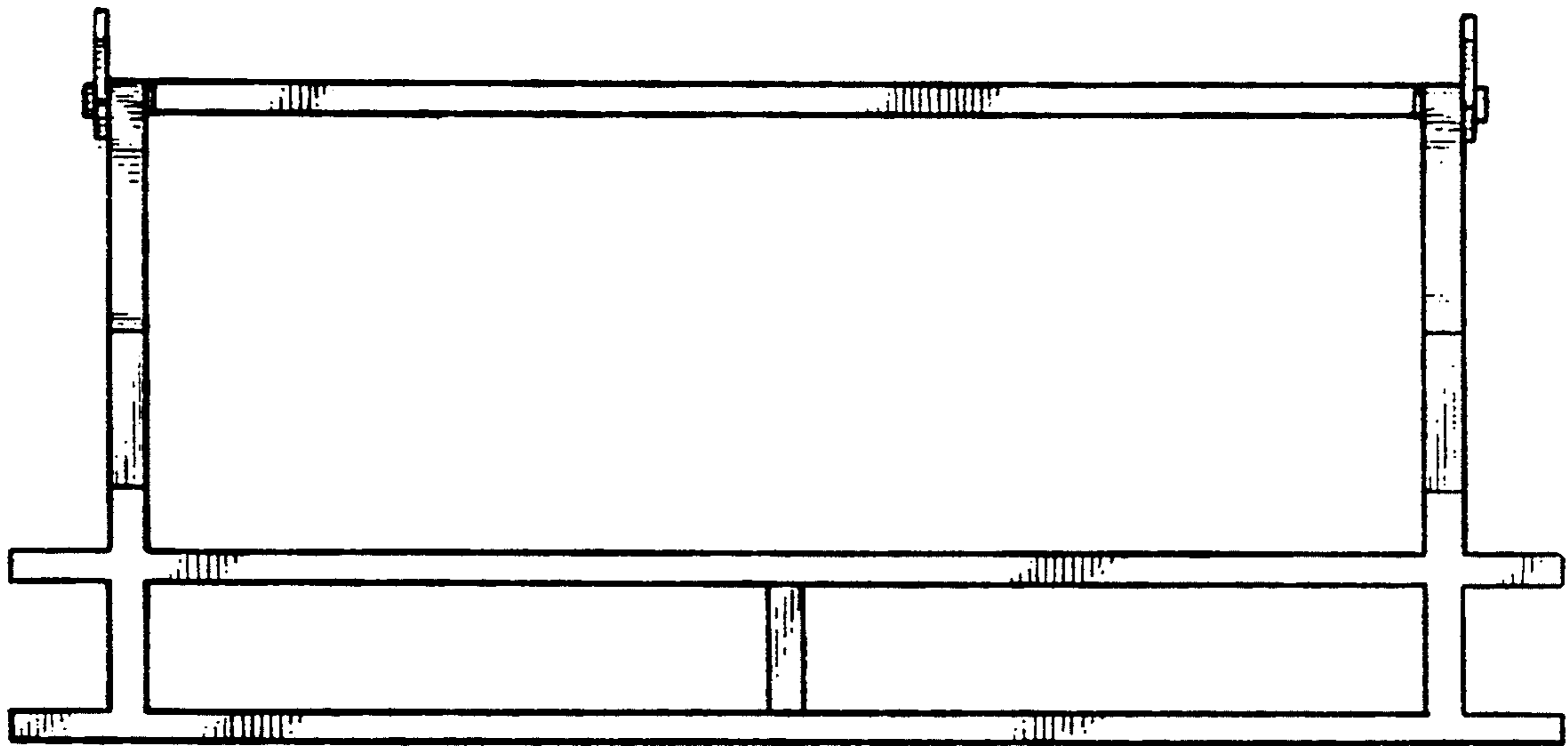


FIG. 3

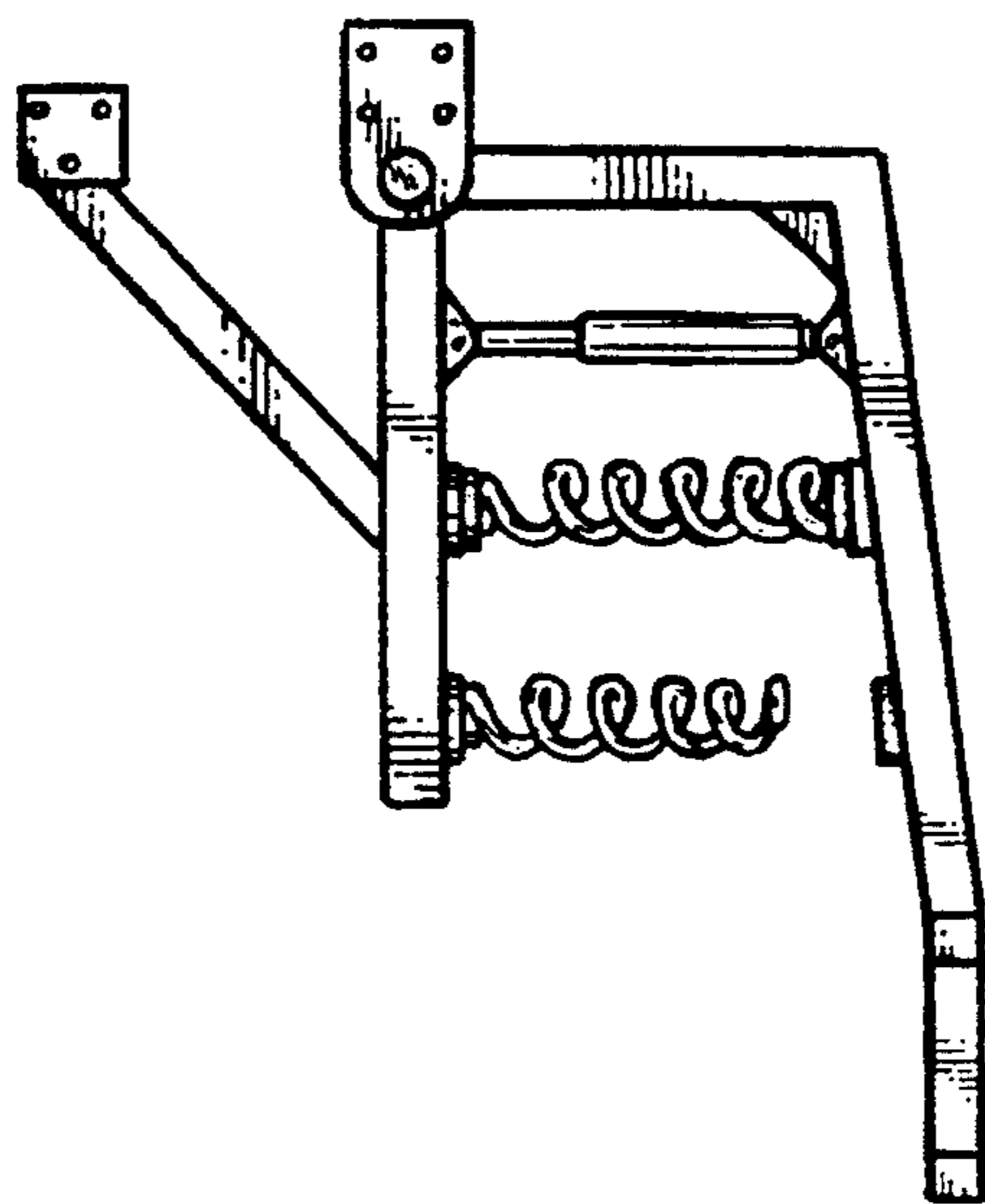


FIG. 4

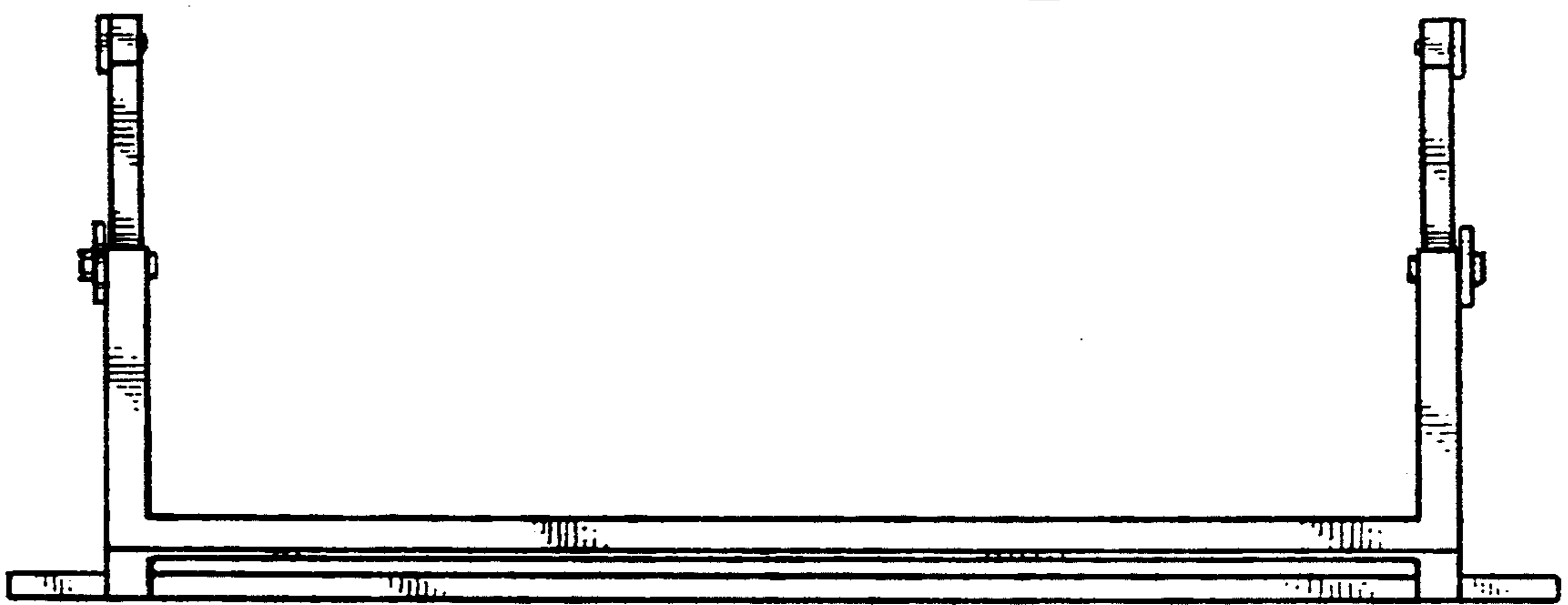


FIG. 5



FIG. 6