



US00D352017S

United States Patent [19]

Kaneko

[11] Patent Number: **Des. 352,017**

[45] Date of Patent: **** Nov. 1, 1994**

[54] **BABY STROLLER**

[75] Inventor: **Tomihiro Kaneko**, Tokyo, Japan

[73] Assignee: **Combi Corporation**, Tokyo, Japan

[**] Term: **14 Years**

[21] Appl. No.: **6,810**

[22] Filed: **Apr. 7, 1993**

[30] **Foreign Application Priority Data**

Oct. 8, 1992 [JP] Japan 4-29220

[52] U.S. Cl. **D12/129**

[58] Field of Search 280/642, 644, 647, 650,
280/658, 649; D12/129, 128

[56] **References Cited**

U.S. PATENT DOCUMENTS

D. 254,906 5/1980 Nakao et al. D12/129

- D. 305,218 12/1989 Nakao et al. D12/129
- D. 317,280 6/1991 Takahashi et al. D12/129
- D. 334,908 4/1993 Kassai D12/129
- D. 345,128 3/1994 Kassai D12/129

Primary Examiner—Kay C. Chin
Attorney, Agent, or Firm—Sughrue, Mion, Zinn,
Macpeak & Seas

[57] **CLAIM**

The ornamental design for a baby stroller, as shown.

DESCRIPTION

FIG. 1 is a front and right side perspective view of a baby stroller showing my new design; FIG. 2 is a left side elevational view thereof; FIG. 3 is a front elevational view thereof; FIG. 4 is a rear elevational view thereof; FIG. 5 is a top plan view thereof; and, FIG. 6 is a bottom plan view thereof.

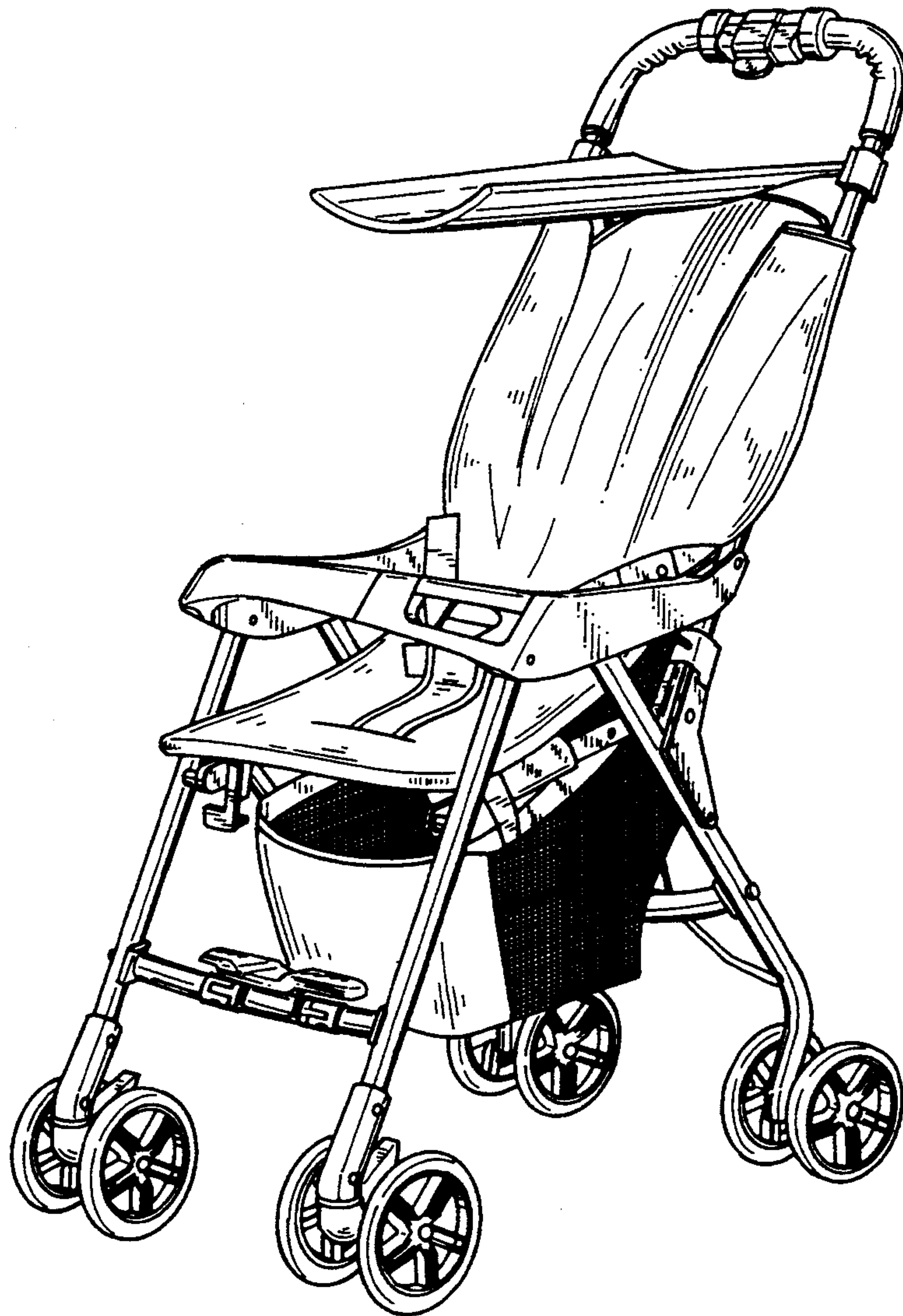


Fig. 1

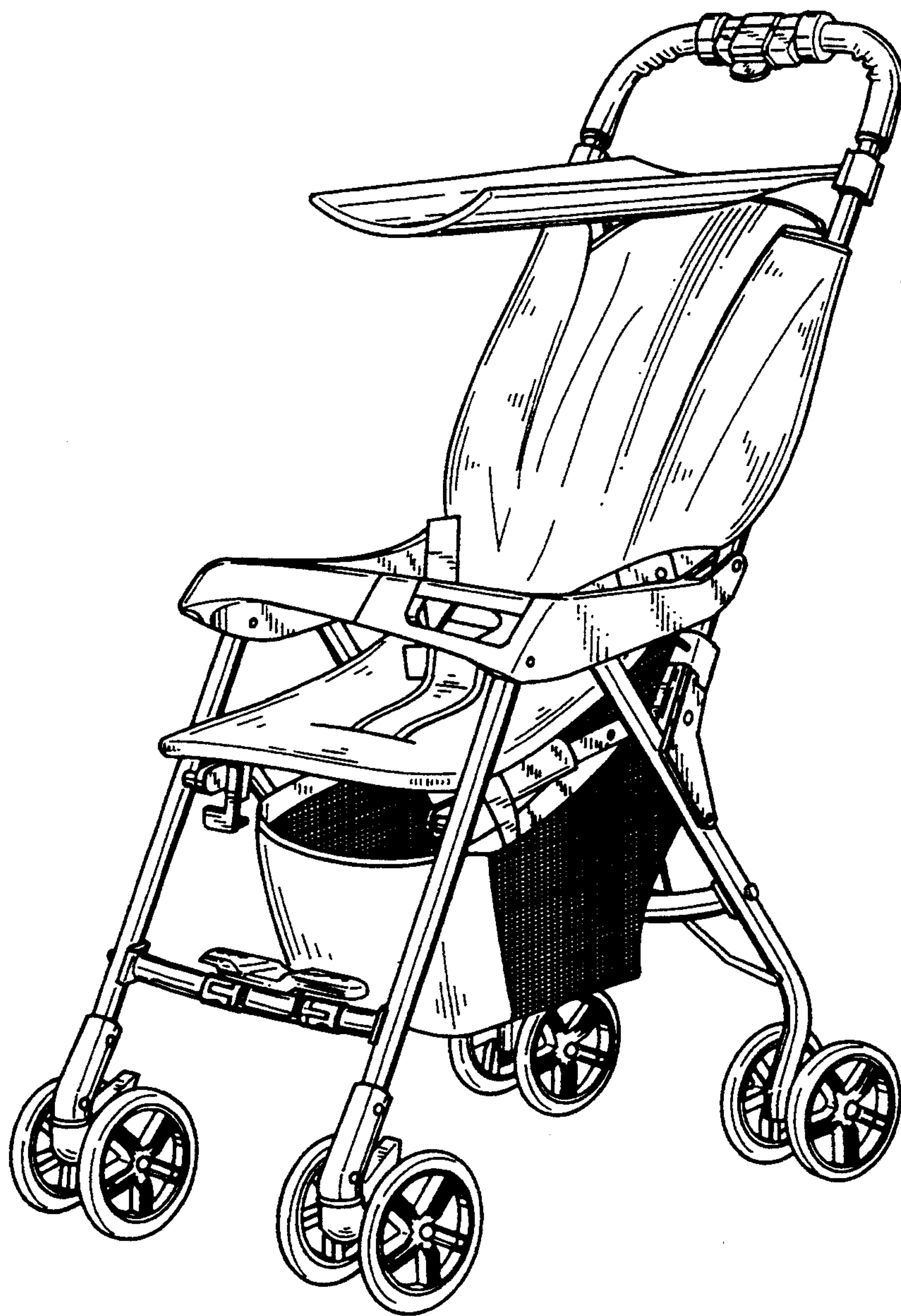


Fig. 2

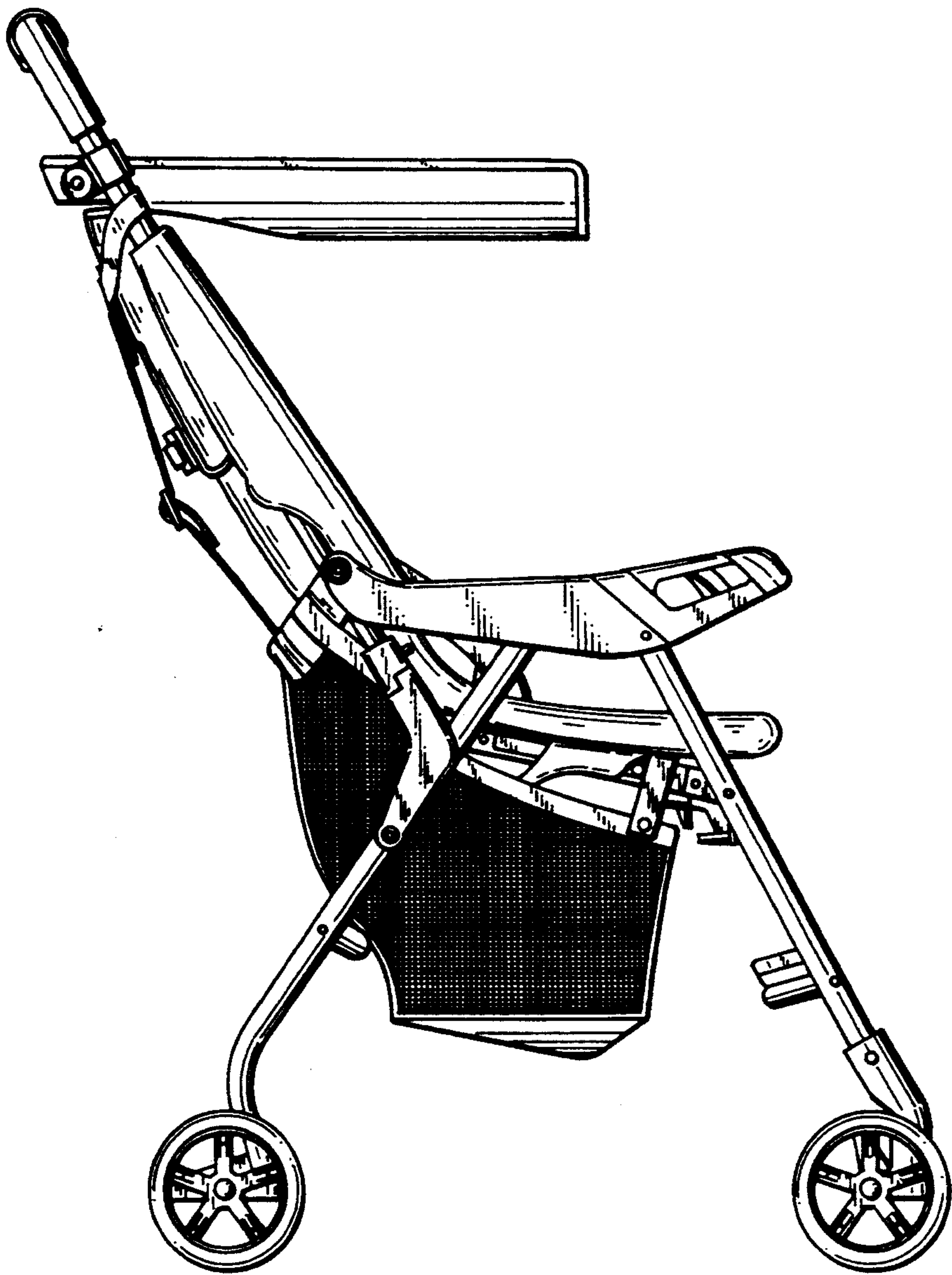


Fig. 3

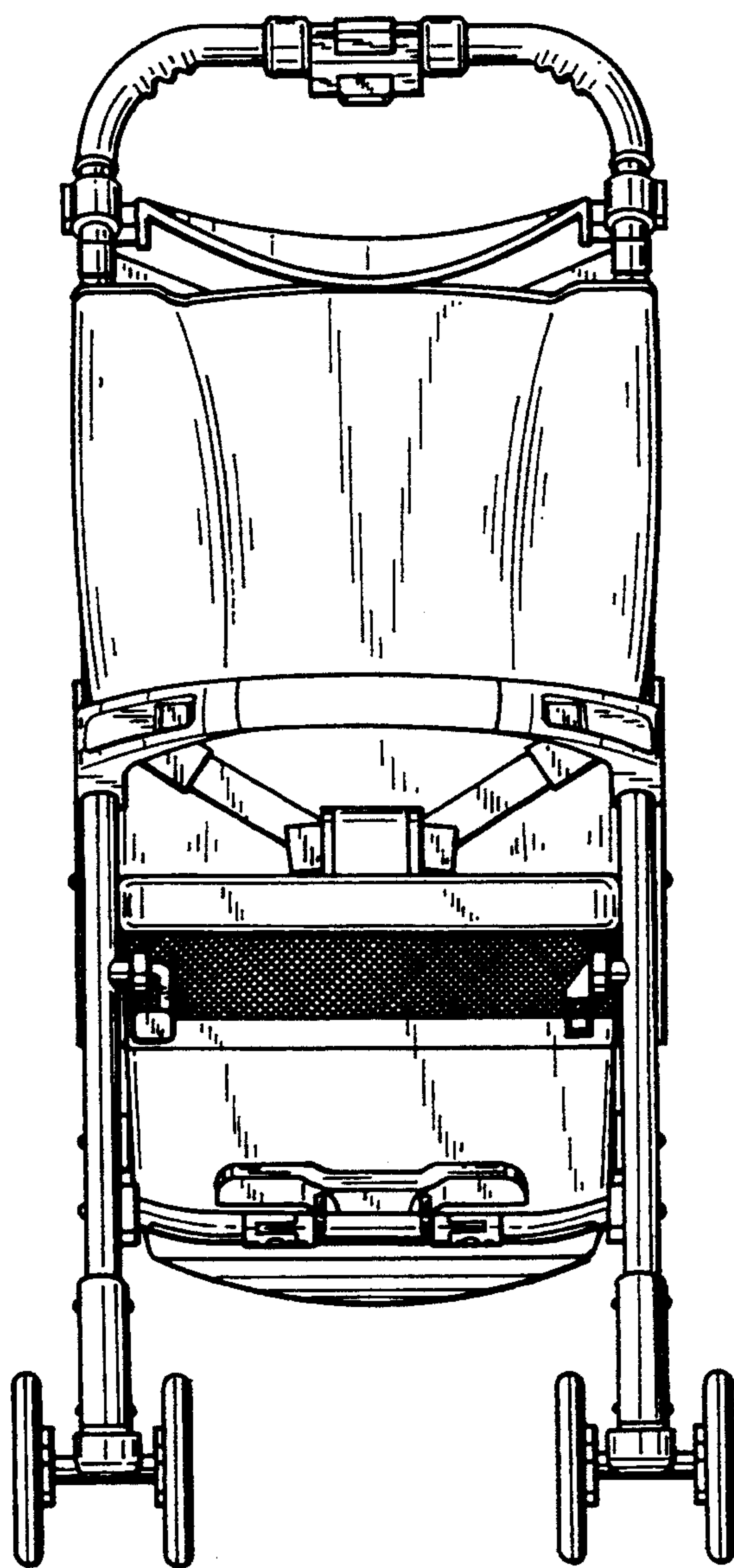


Fig. 4

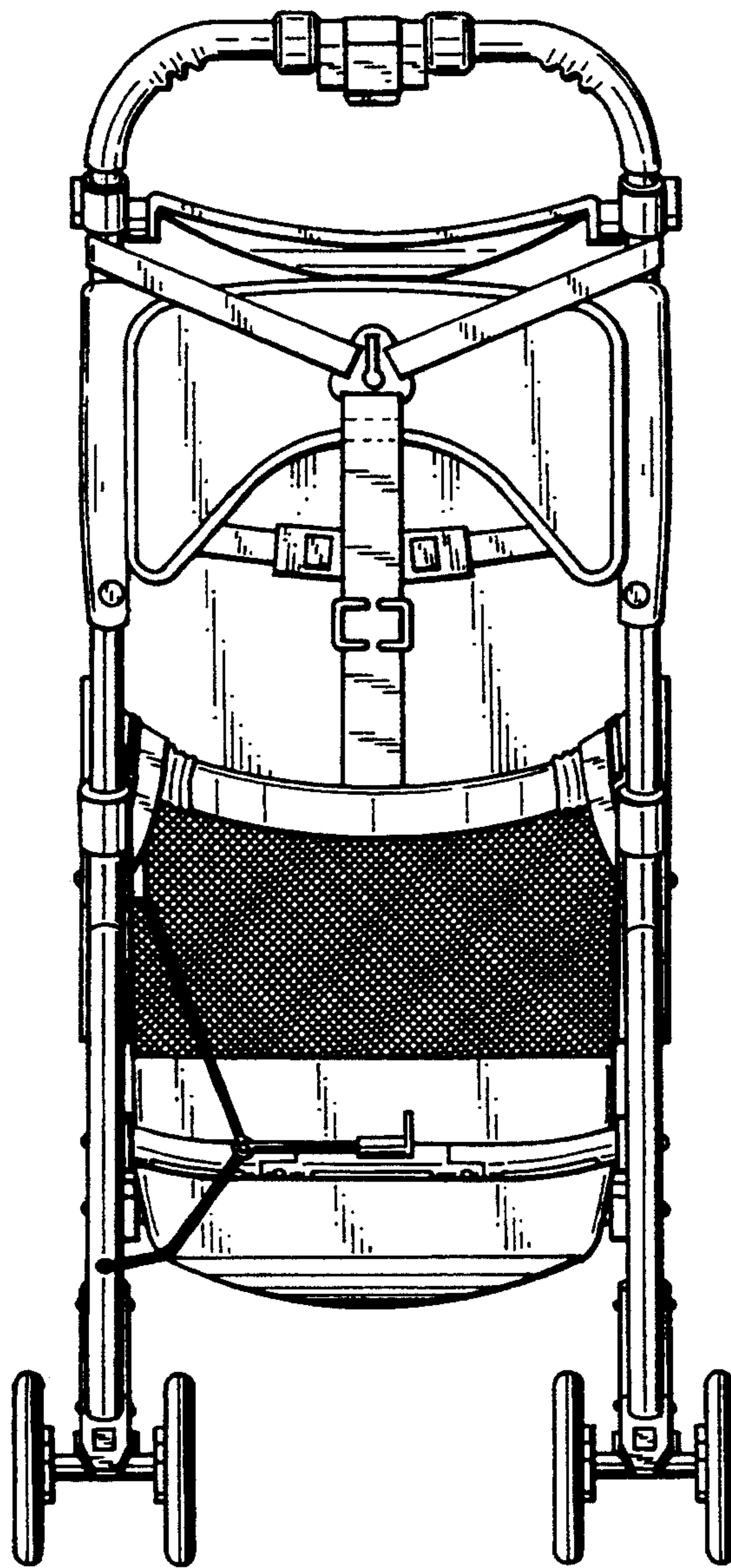


Fig. 5

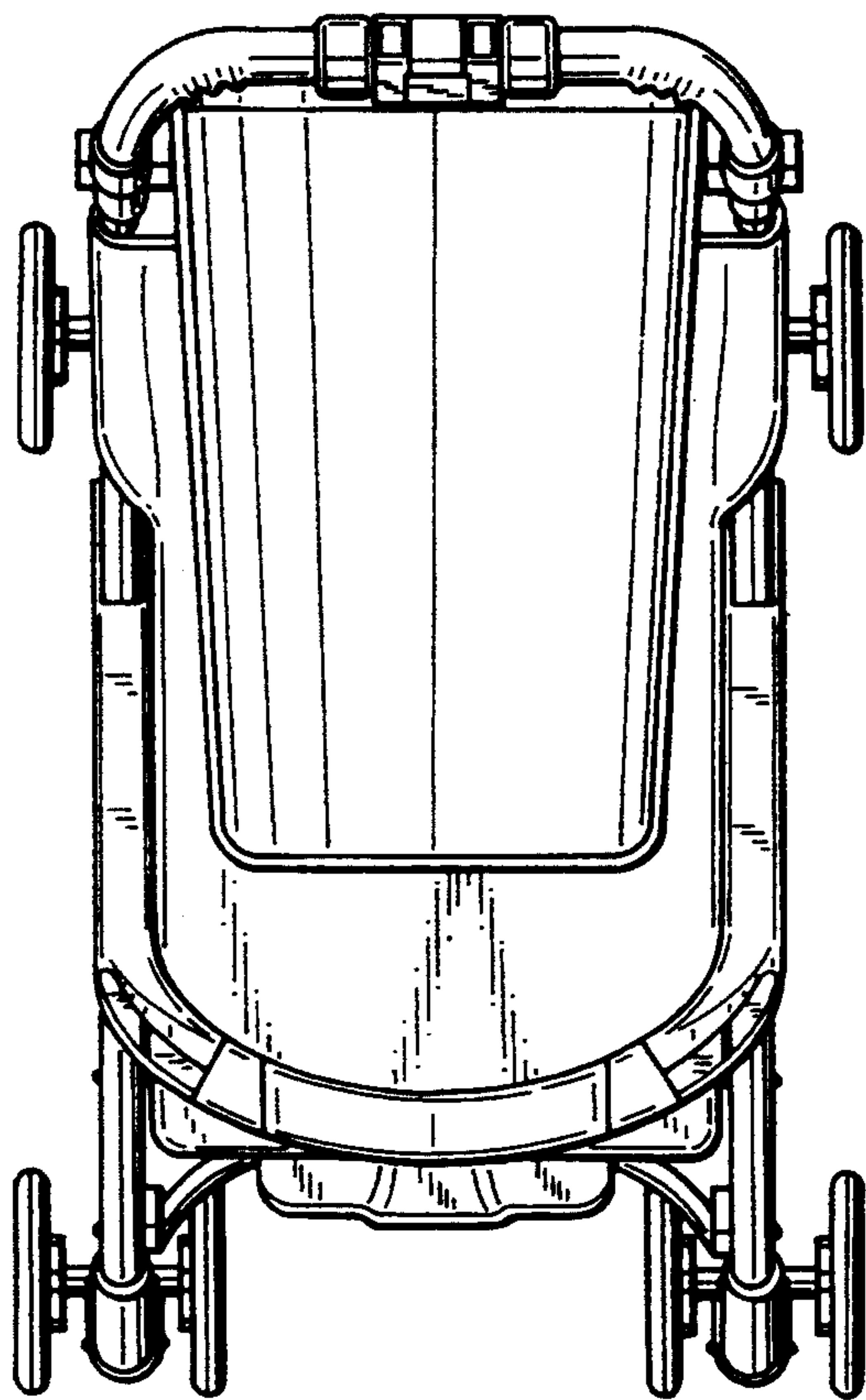


Fig. 6

