



US00D352016S

# United States Patent [19]

Lugo

[11] Patent Number: Des. 352,016

[45] Date of Patent: \*\* Nov. 1, 1994

[54] **FIXED VEHICLE HAND BRAKE LOCK**

5,134,764 8/1992 Taylor ..... 70/201

[76] Inventor: **Nicolas R. Lugo**, 1521 Bellevue Ave.  
#105, Seattle, Wash. 98122

*Primary Examiner*—Wallace R. Burke  
*Assistant Examiner*—Melody Brown  
*Attorney, Agent, or Firm*—Craine & Jackson

[\*\*] Term: **14 Years**

[21] Appl. No.: **903,864**

[57] **CLAIM**

The ornamental design for a fixed vehicle hand brake lock, as shown.

[22] Filed: **Jun. 25, 1992**

[52] U.S. Cl. .... **D12/114**

[58] Field of Search ..... D8/331; 70/201, 202,  
70/238; 74/608, 489, 523; D12/114, 179

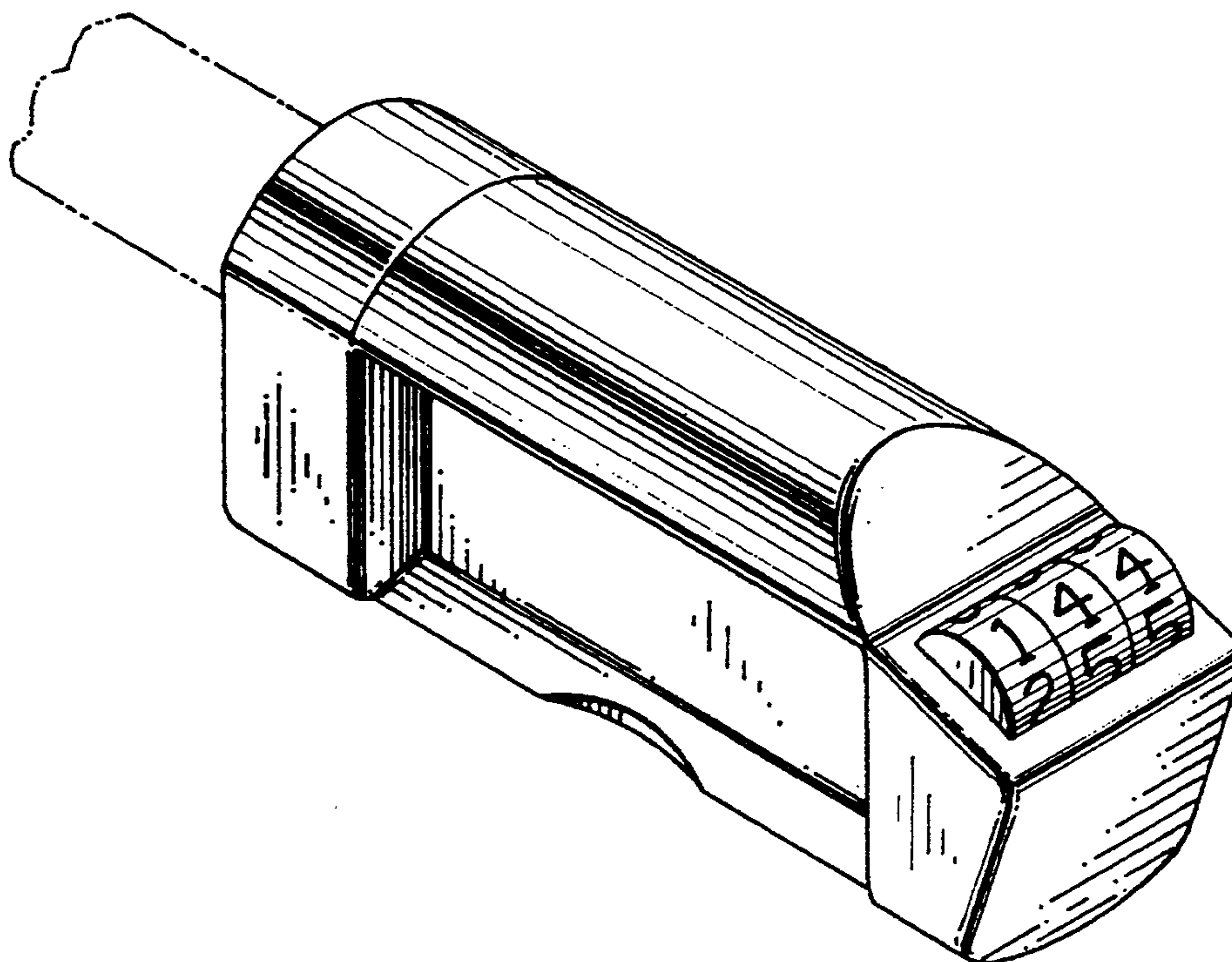
**DESCRIPTION**

FIG. 1 is a perspective view of a fixed vehicle hand brake lock showing my new design; FIG. 2 is a top plan view thereof; FIG. 3 is a right side elevational view thereof; FIG. 4 is a left side elevational view thereof; FIG. 5 is a front elevational view thereof; and, FIG. 6 is a rear elevational view thereof. The rod shown in broken lines in FIGS. 1, 2, 3, 4 and 6 is for illustrative purposes only and forms no part of the claimed design.

[56] **References Cited**

**U.S. PATENT DOCUMENTS**

D. 265,816	8/1982	Matre	.....	D12/114
4,747,279	5/1988	Solow	.....	70/238
4,835,999	6/1989	Chant	.....	70/238
4,936,120	6/1990	Fiks	.....	70/238
4,995,250	2/1991	Chiou	.....	70/238
5,038,667	8/1991	Slater	.....	70/238



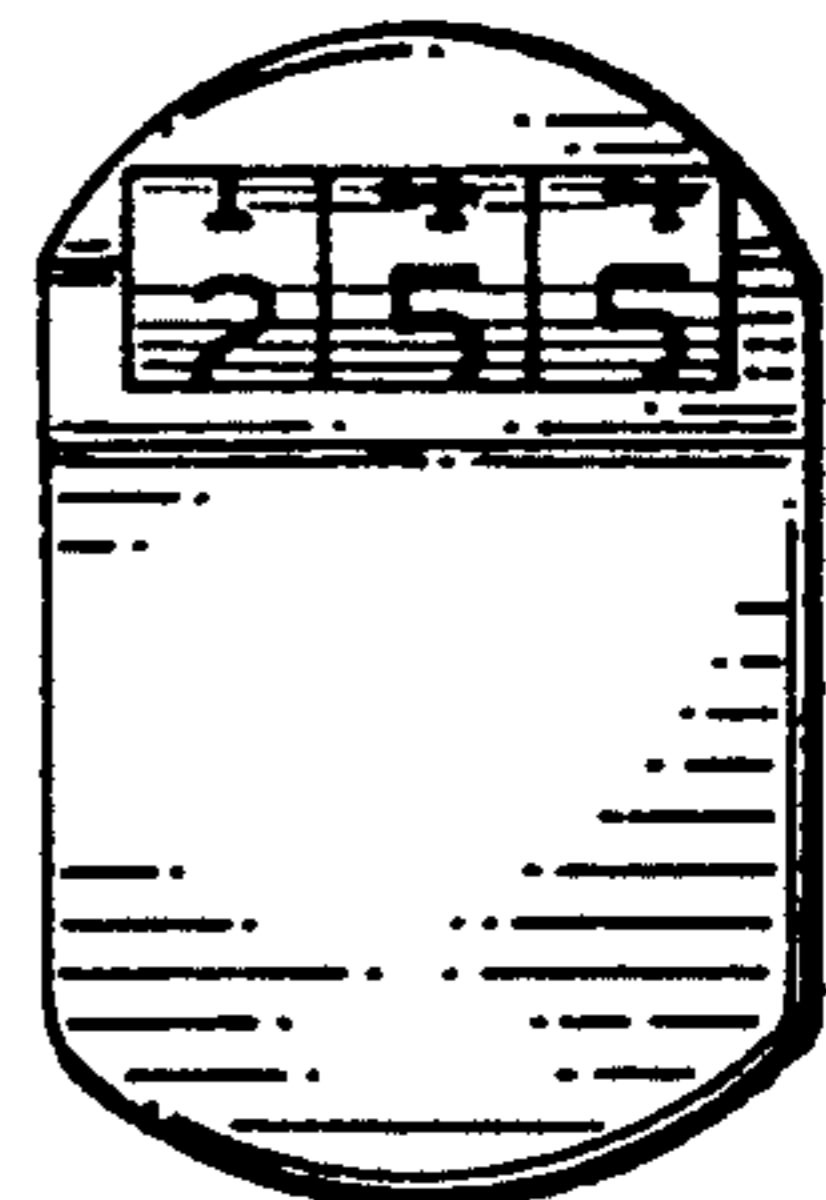
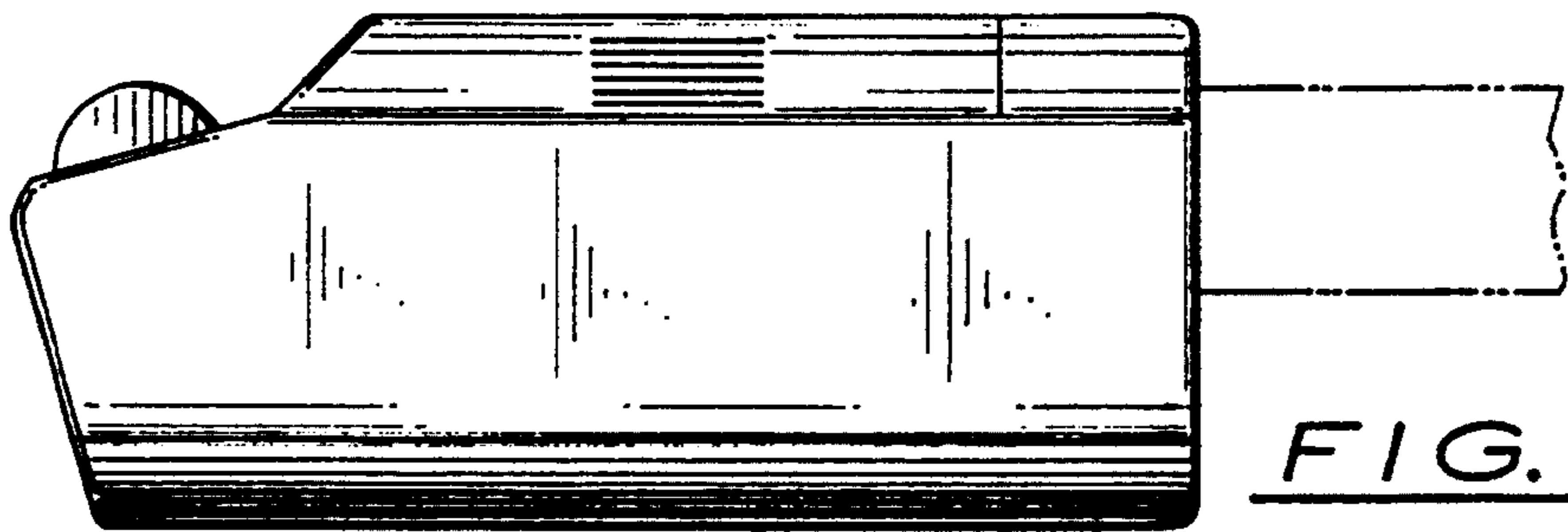
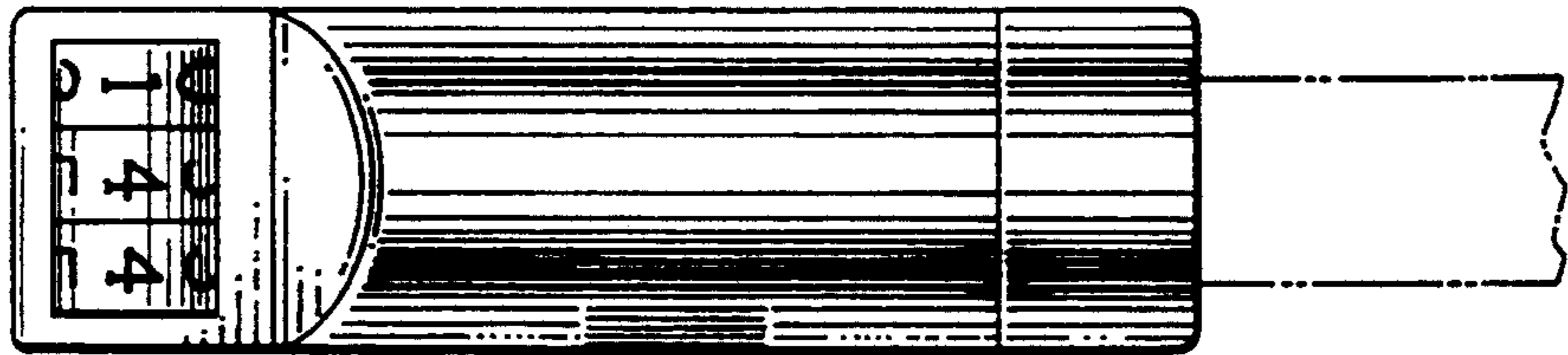
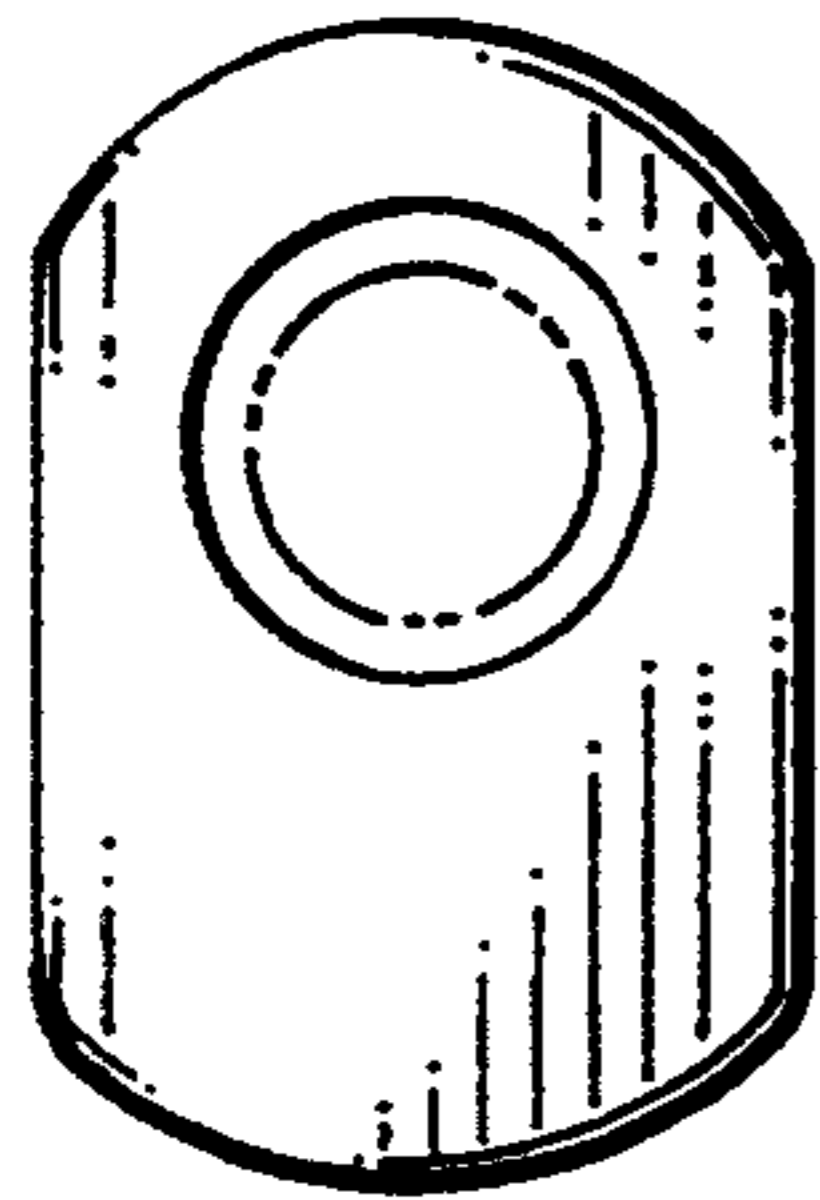
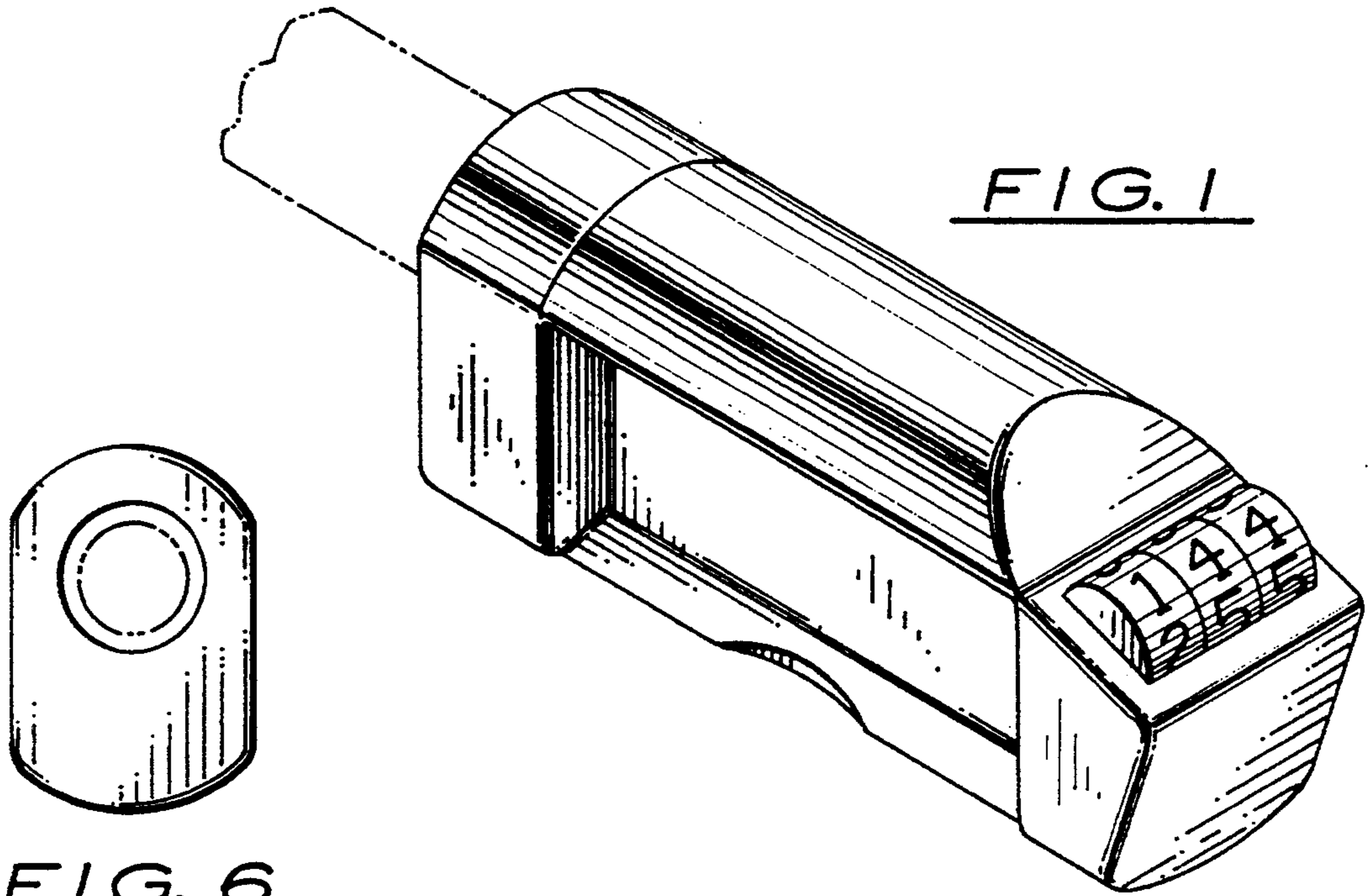


FIG. 4

FIG. 5