



US00D352014S

# United States Patent [19] O'Leary

[11] Patent Number: Des. 352,014

[45] Date of Patent: \*\* Nov. 1, 1994

[54] TREE STAND CONTAINER

3,784,136 1/1974 Lopez .  
4,412,616 11/1983 Williams .

[76] Inventor: Phyllis C. O'Leary, 79 Seward St.,  
San Francisco, Calif. 94104

### FOREIGN PATENT DOCUMENTS

[\*\*] Term: 14 Years

892899 4/1962 United Kingdom .

[21] Appl. No.: 15,681

Primary Examiner—Bernard Ansher  
Assistant Examiner—Dominic Simone  
Attorney, Agent, or Firm—Kathleen A. Skinner

[22] Filed: Nov. 23, 1993

### [57] CLAIM

### Related U.S. Application Data

The ornamental design for a tree stand container, as shown and described.

[63] Continuation of Ser. No. 900,979, Jun. 18, 1992, abandoned.

[52] U.S. Cl. .... D11/1301; D6/520

[58] Field of Search ..... D9/424; D6/520, 563;  
47/40.5; D11/130.1

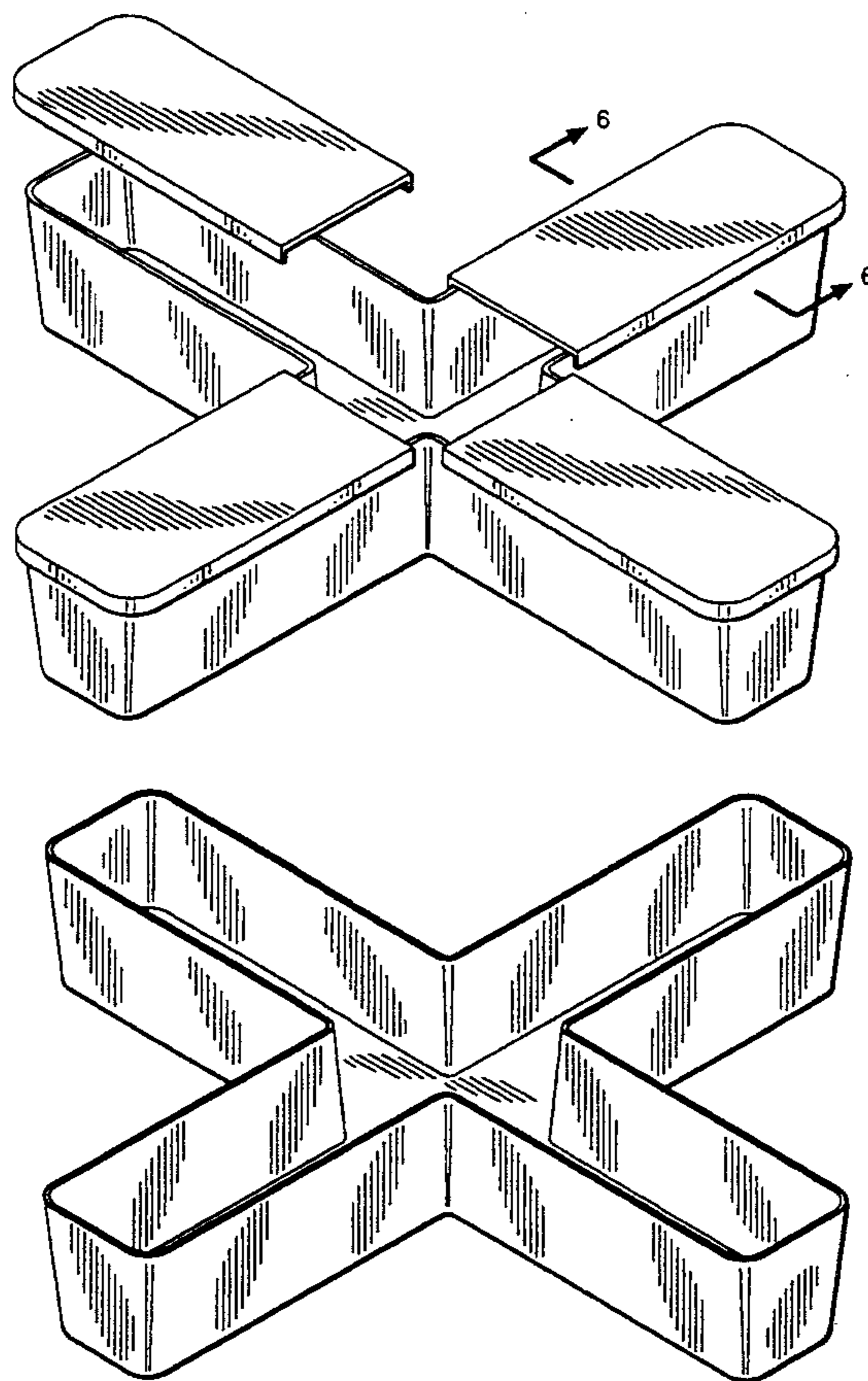
### DESCRIPTION

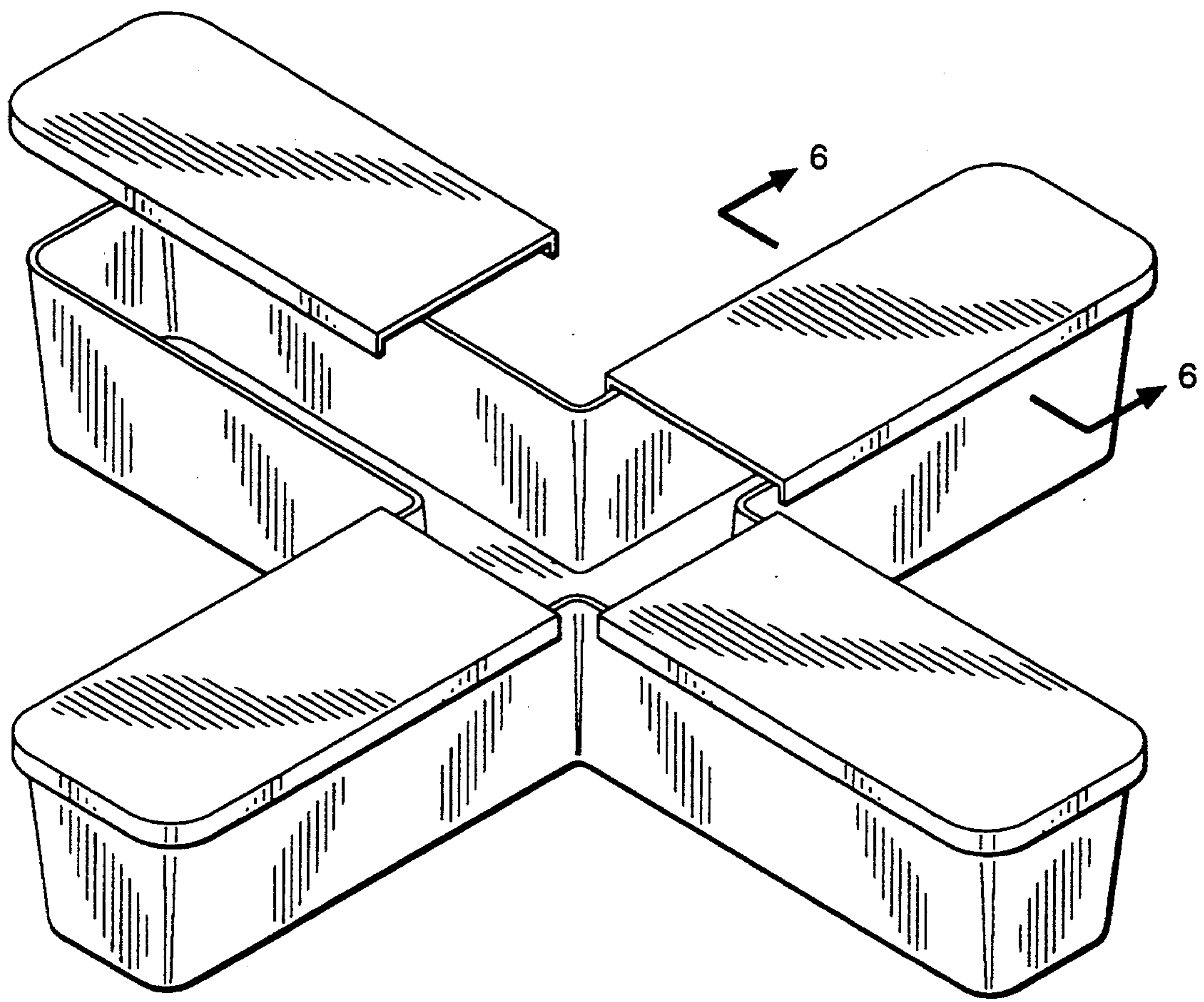
### [56] References Cited

#### U.S. PATENT DOCUMENTS

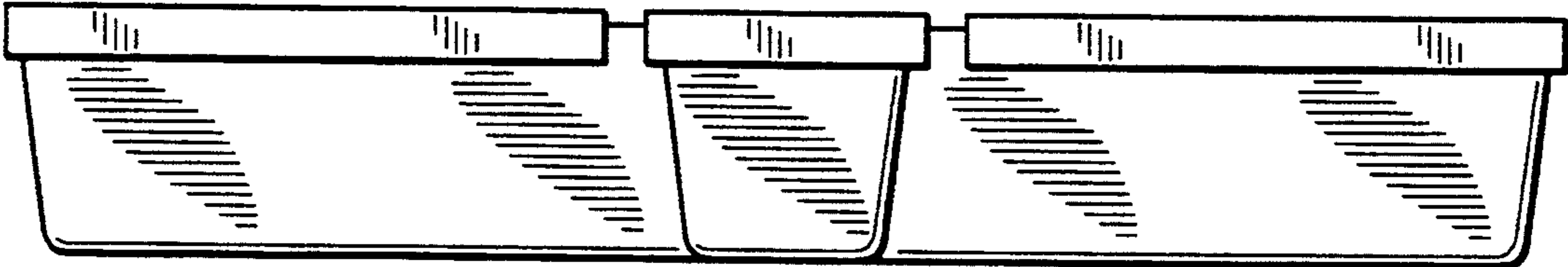
- D. 229,597 12/1973 Wastal .
- D. 242,406 11/1976 Romanoff ..... D6/563 X
- 256,806 4/1882 Markland .
- 1,344,526 6/1920 Tilney .
- 1,354,211 9/1920 Reed .
- 2,701,699 2/1955 Chapin .
- 2,892,540 6/1959 Tupper ..... D6/520 X
- 2,930,162 3/1960 Mulford .
- 3,009,291 11/1961 Blackmore .
- 3,661,350 5/1972 Eckler .

FIG. 1 is a perspective view of a tree stand container with a partially exploded view showing my new design; FIG. 2 is an elevational view of the design of FIG. 1; all elevational views being the same; FIG. 3 is a top plan view of the design of FIG. 1; FIG. 4 is a bottom plan view of the design of FIG. 1; FIG. 5 is a bottom plan view of the removable lid of the design of FIG. 1; FIG. 6 is a cross-sectional view of the design of FIG. 1; FIG. 7 is a perspective view of a tree stand showing another embodiment of the invention; FIG. 8 is an elevational view of the design of FIG. 7; all elevational views being the same; FIG. 9 is a top plan view of the design of FIG. 7; and, FIG. 10 is a bottom plan view of the design of FIG. 7.

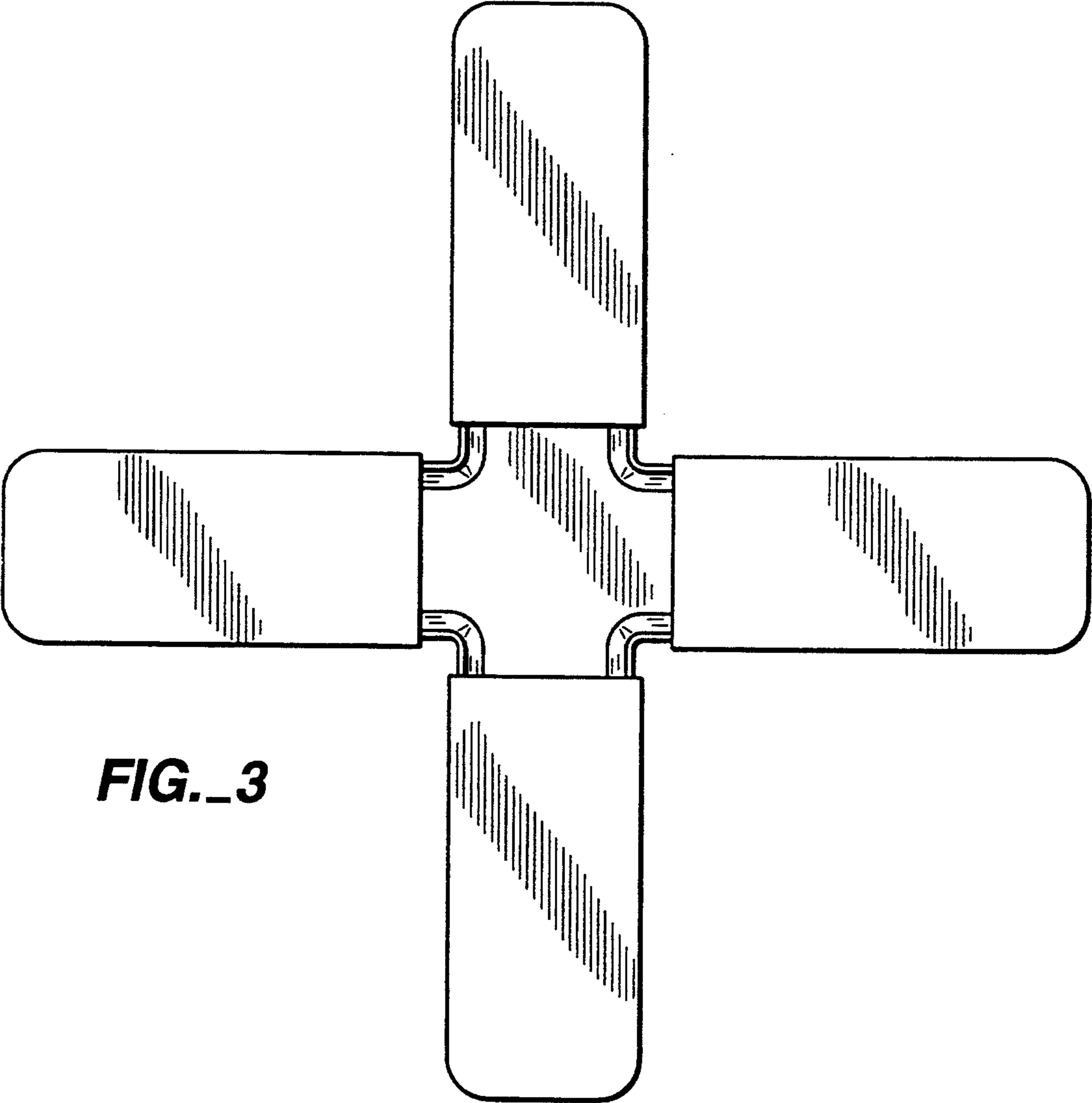




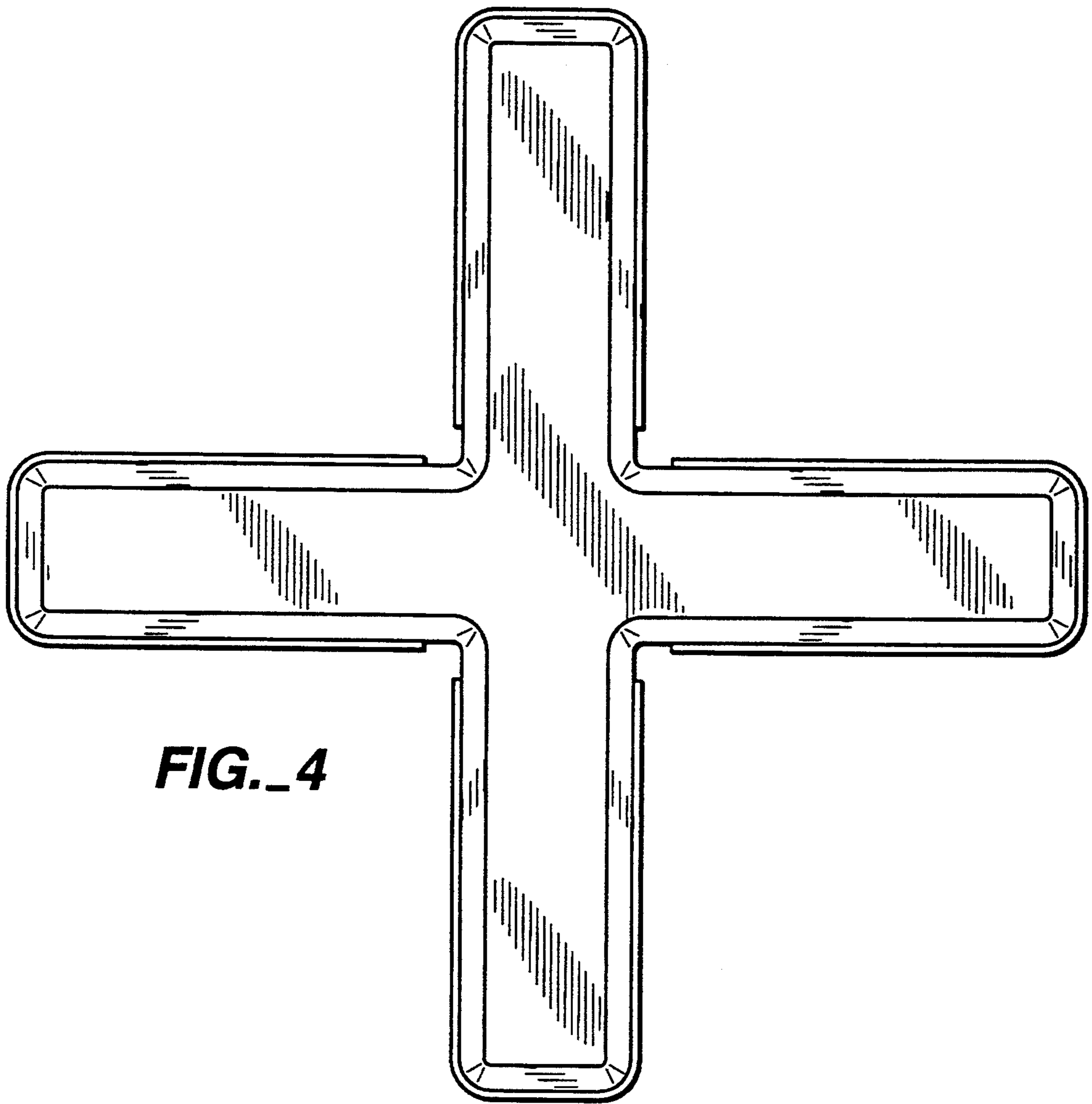
**FIG. 1**



**FIG.\_2**



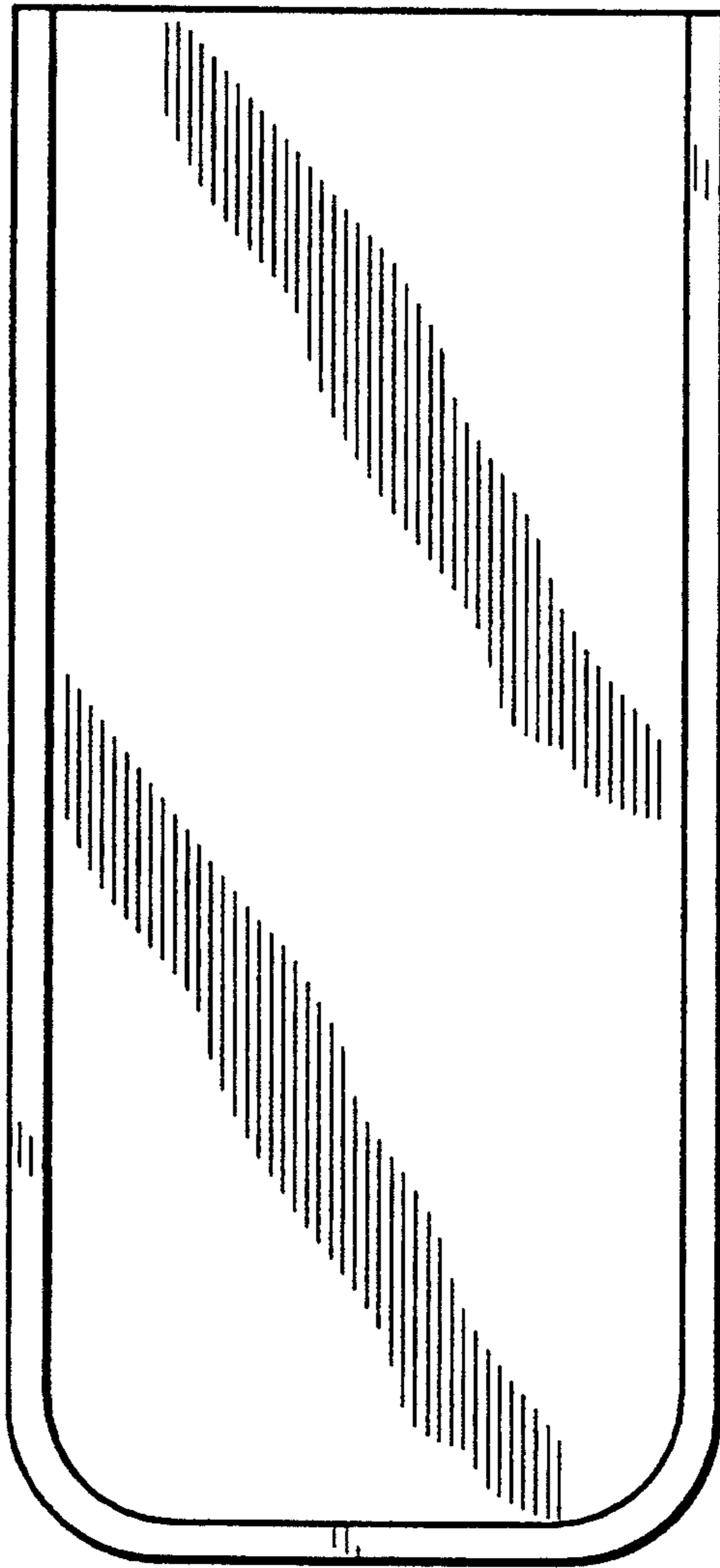
**FIG.\_3**



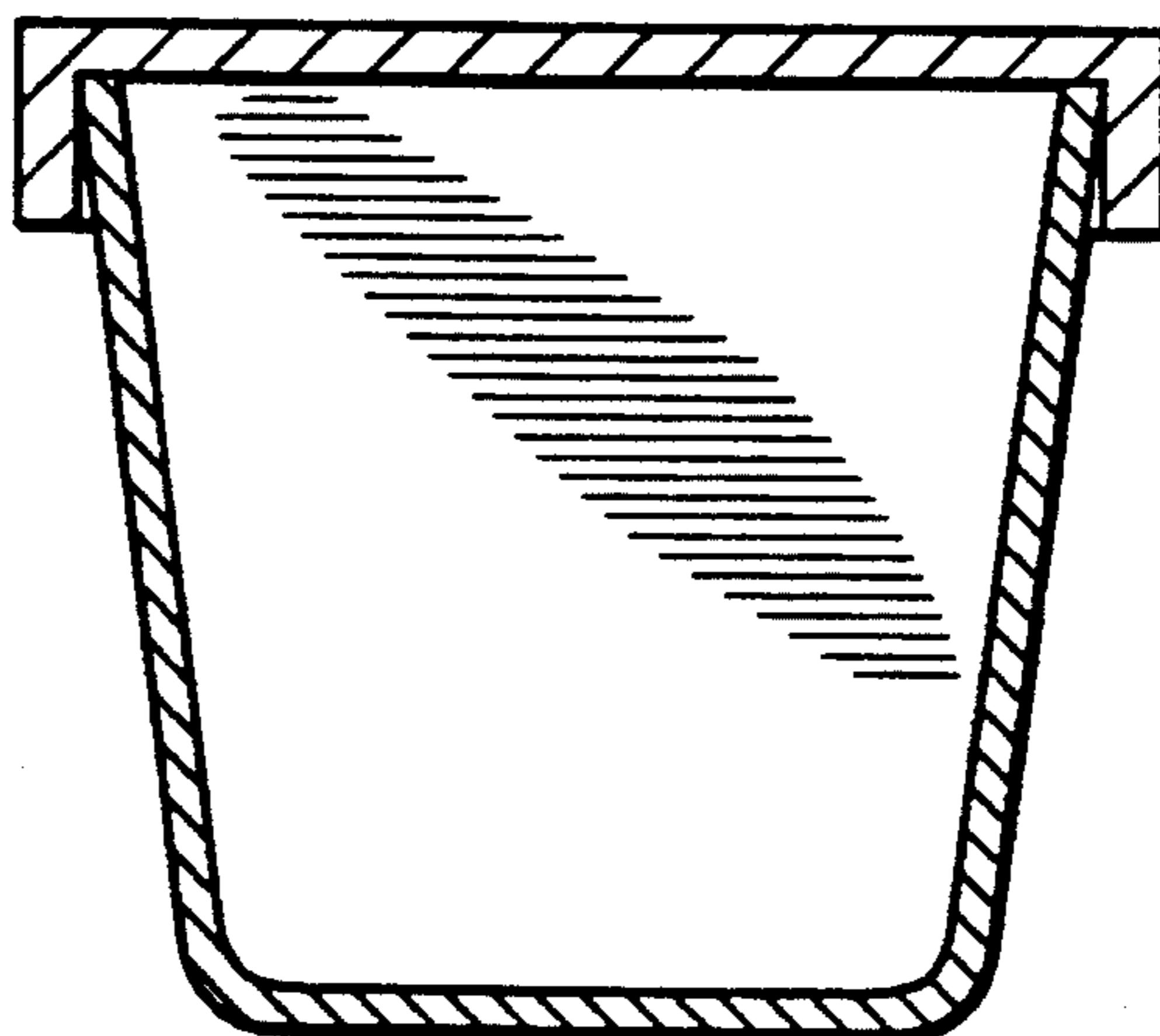
**FIG. 4**

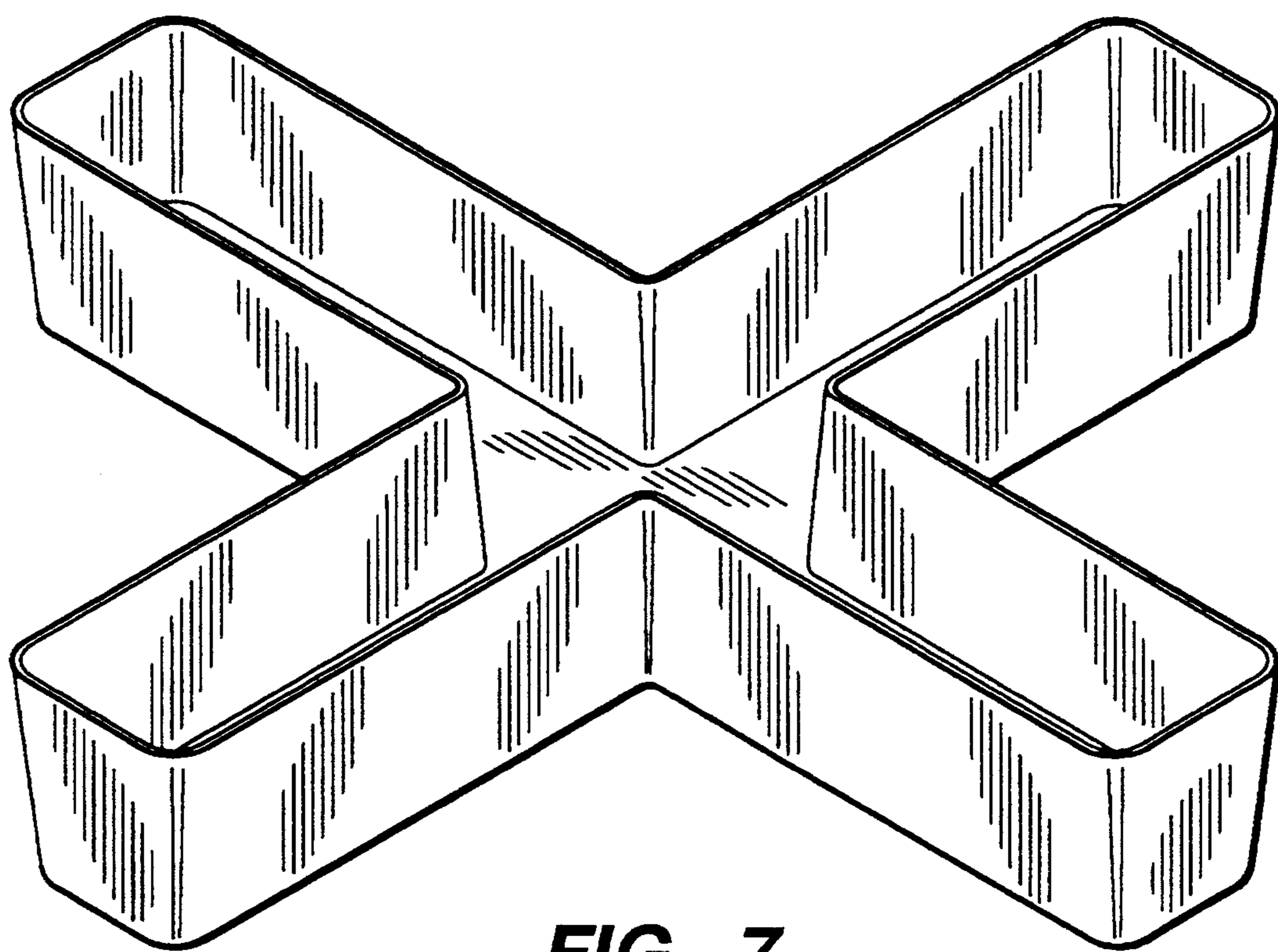


**FIG.\_5**

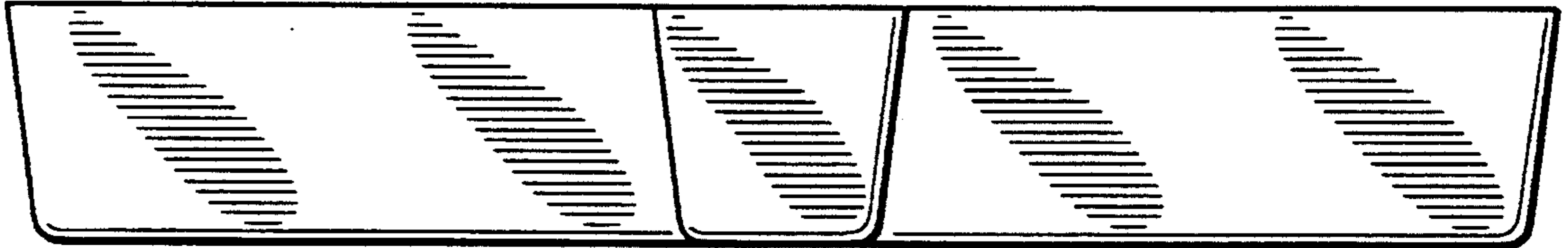


**FIG.\_6**

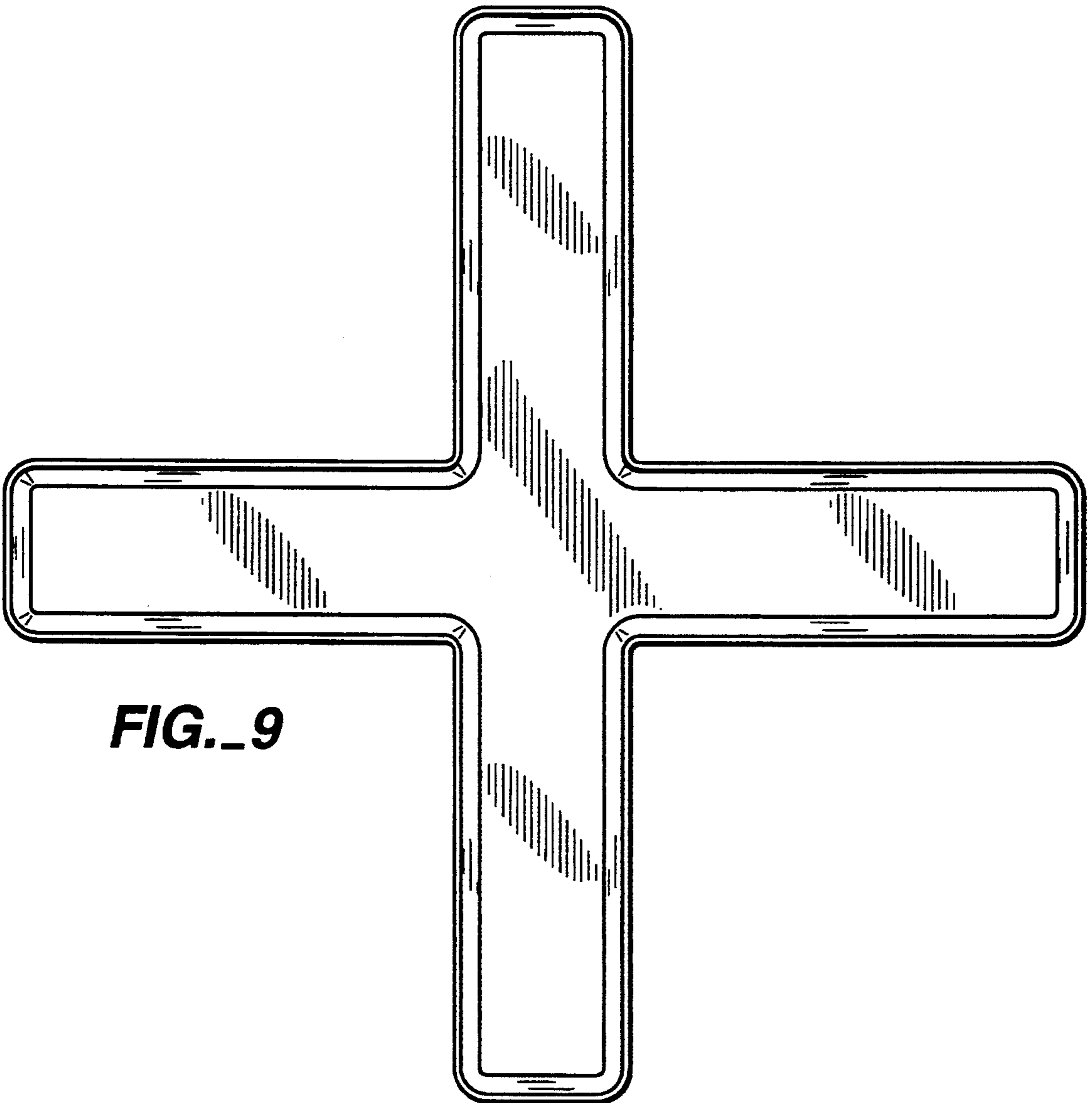




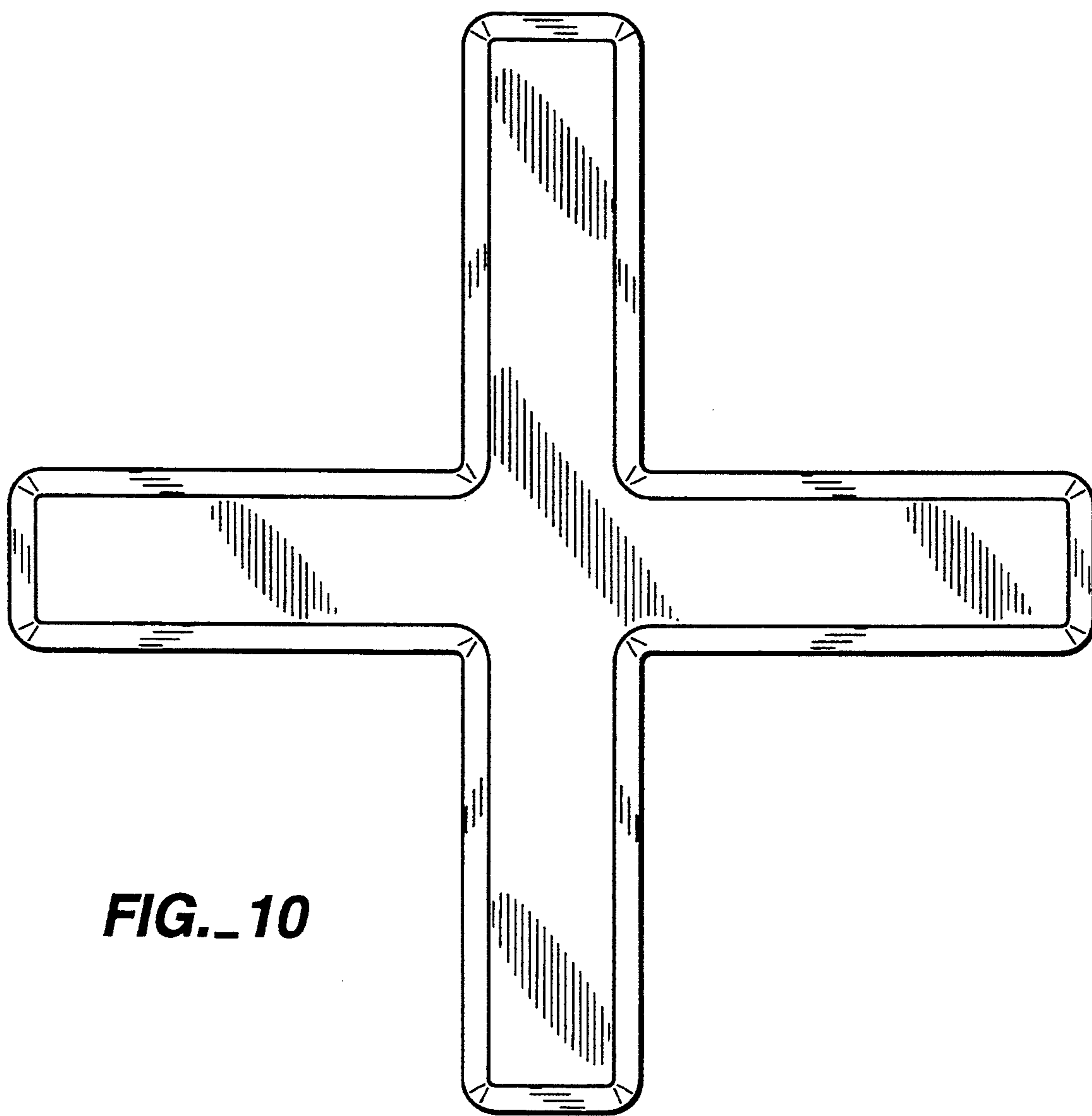
**FIG. 7**



**FIG.\_8**



**FIG.\_9**



**FIG. 10**