



US00D352009S

United States Patent [19]

[11] Patent Number: **Des. 352,009**

Elkins

[45] Date of Patent: **** Nov. 1, 1994**

[54] **CIRCUIT ANALYZER**

[76] Inventor: **Kenneth D. Elkins**, 2306 Hill Ave., Gadsden, Ala. 35904

[**] Term: **14 Years**

[21] Appl. No.: **572,376**

[22] Filed: **Aug. 27, 1990**

[52] U.S. Cl. **D10/75; D10/78**

[58] Field of Search 73/117.2, 117.3, 116; 324/77 R, 378, 379, 384, 393, 394, 388; 364/130, 424.1-424.4, 481, 518, 800; D10/75, 78

D. 242,722 12/1976 Bell D10/78 X
D. 251,183 2/1979 Howard D10/75

Primary Examiner—Alan P. Douglas
Assistant Examiner—Antoine D. Davis
Attorney, Agent, or Firm—Terry M. Gernstein

[57] **CLAIM**

The ornamental design for a circuit analyzer, as shown and described.

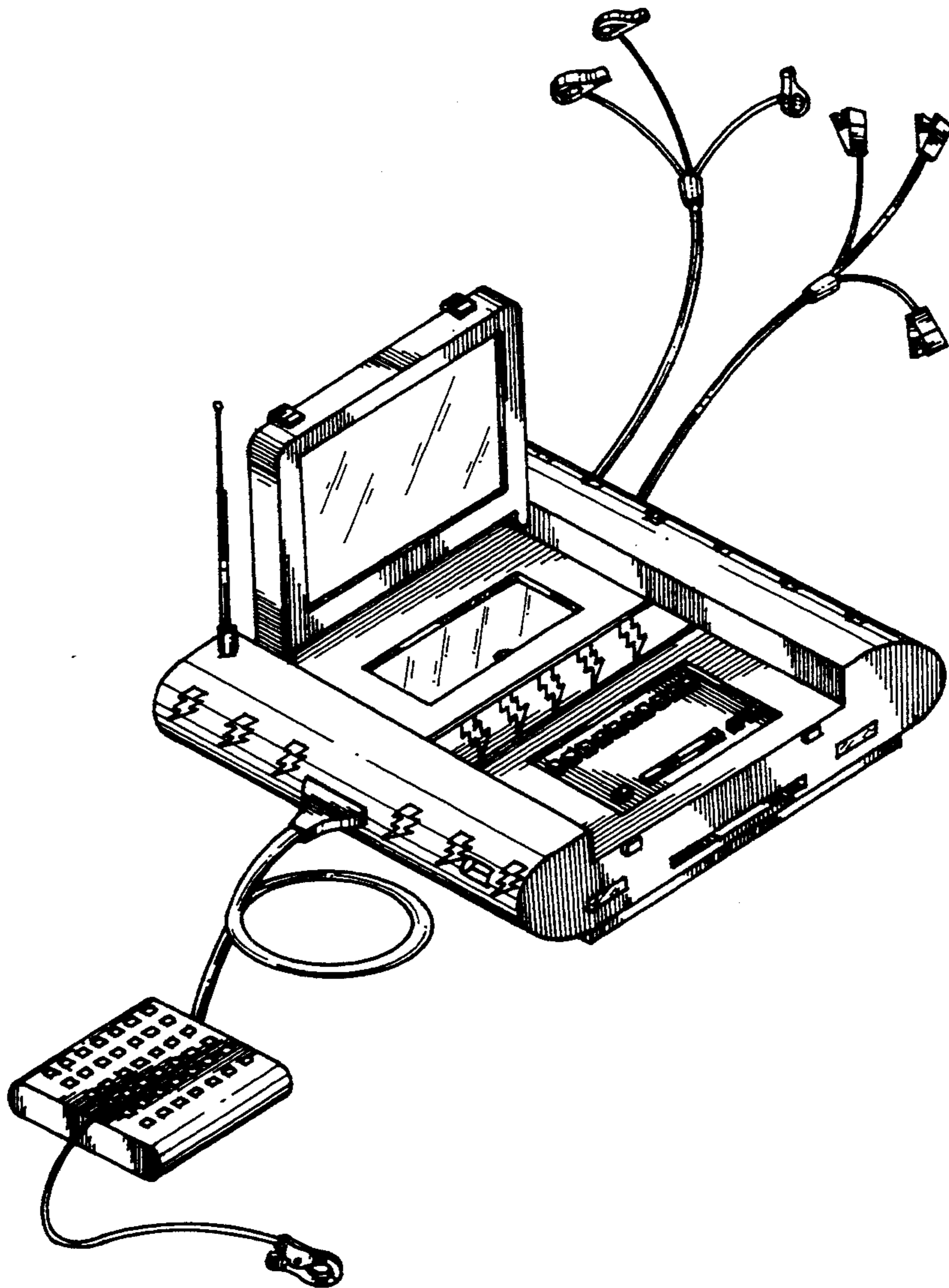
DESCRIPTION

FIG. 1 is a perspective view of the circuit analyzer embodying the design of the present invention; FIG. 2 is a front elevational view thereof; FIG. 3 is a rear elevational view thereof; FIG. 4 is a side elevational view thereof; FIG. 5 is a side elevational view thereof; and, FIG. 6 is a top plan view thereof, the bottom being unadorned and shaped as indicated in FIGS. 1-5.

[56] **References Cited**

U.S. PATENT DOCUMENTS

D. 186,221 9/1959 Lemmenes D10/75
D. 211,088 5/1968 Schwartz et al. D10/78
D. 236,594 9/1975 Smith D10/78



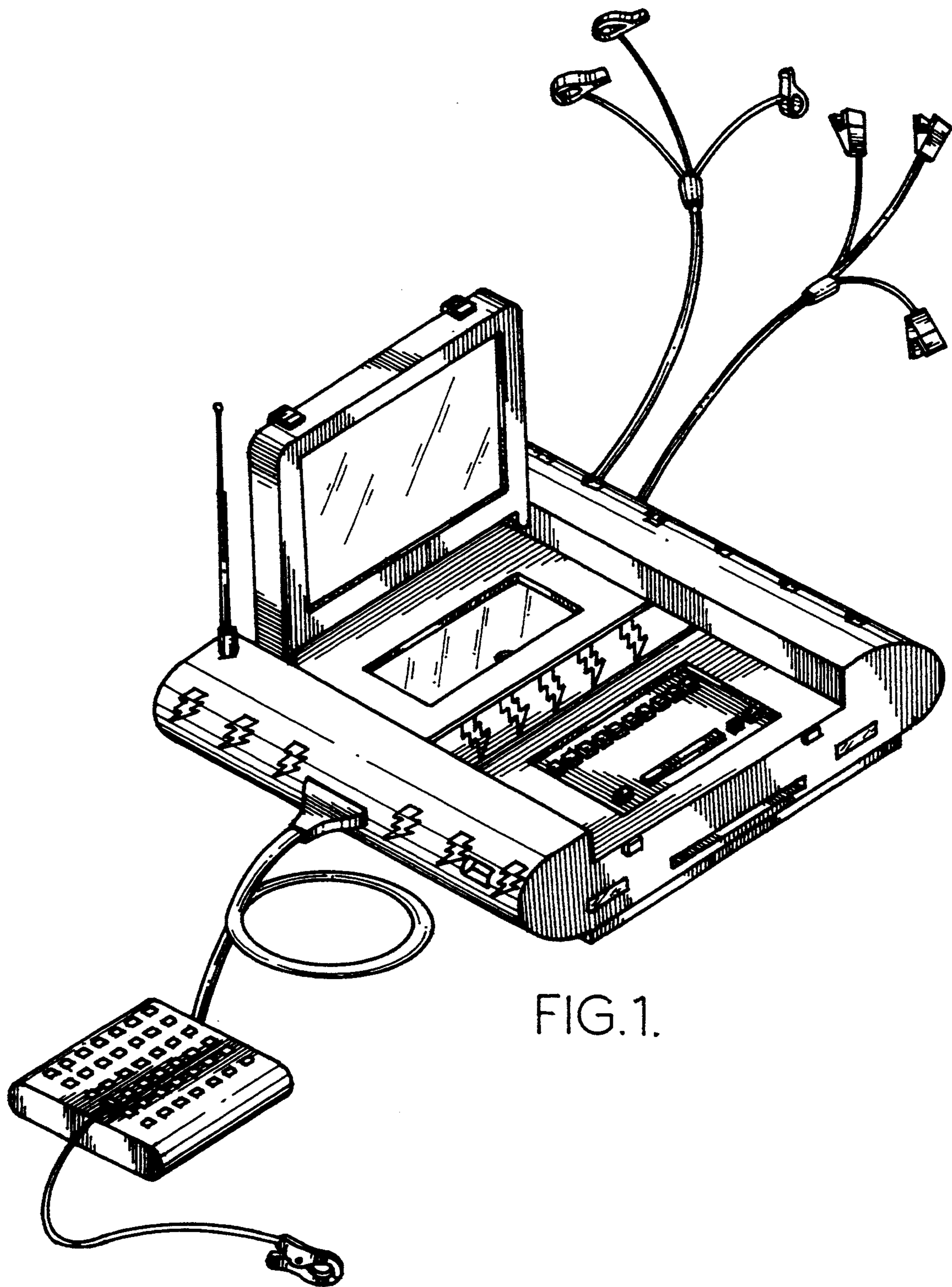


FIG. 1.

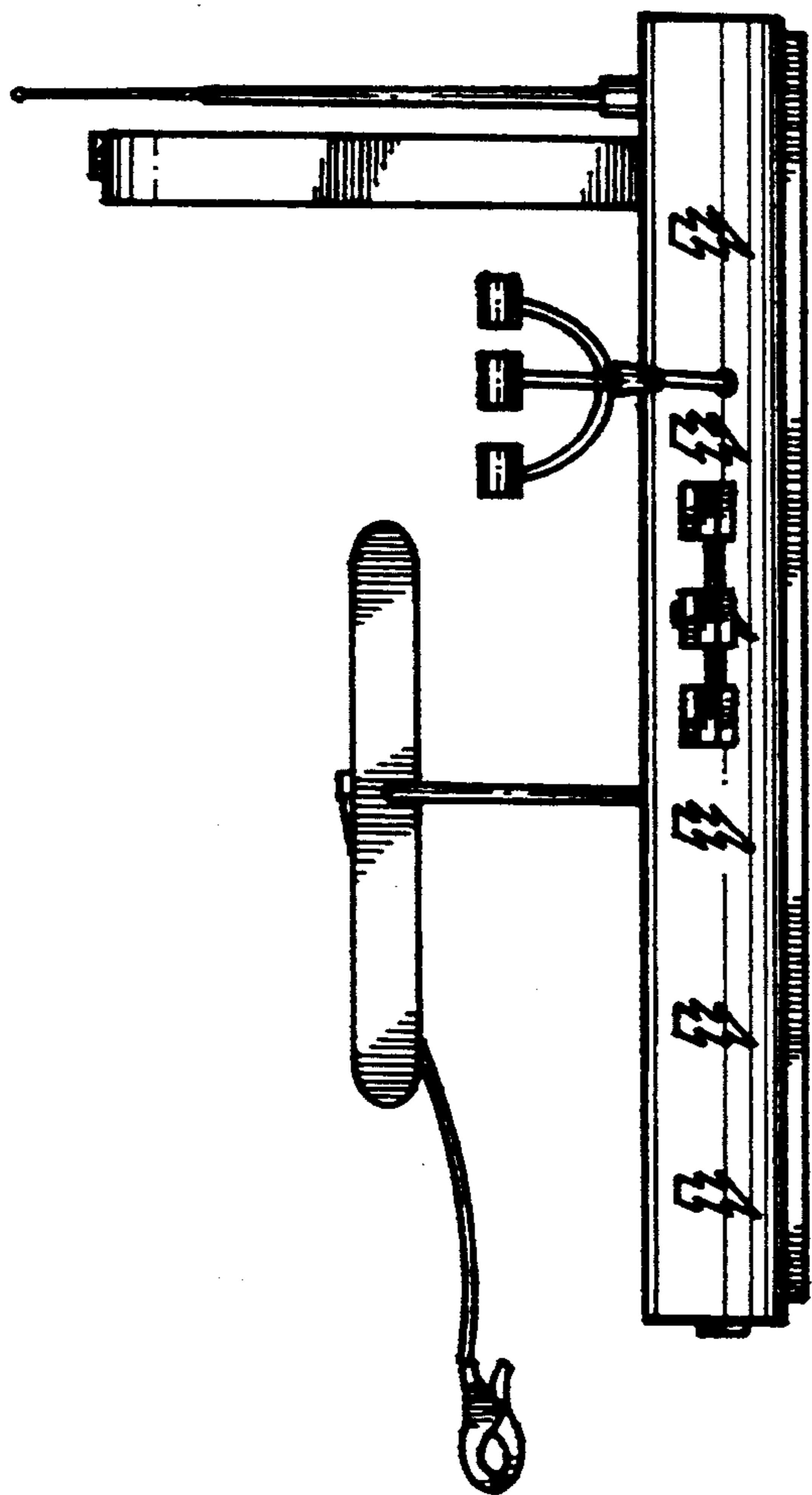


FIG. 4.

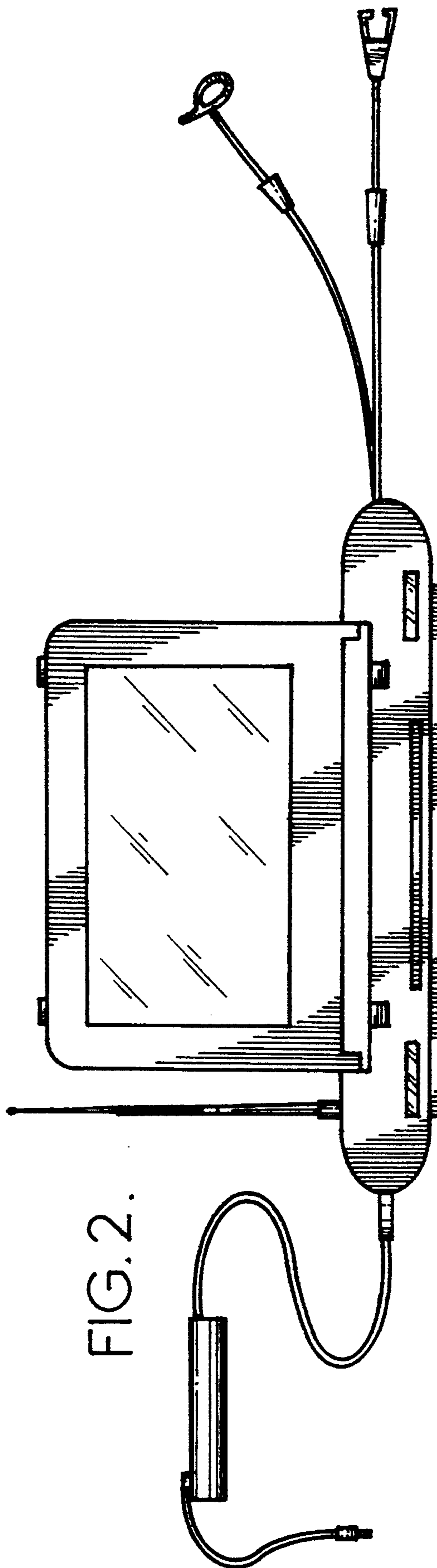


FIG. 2.

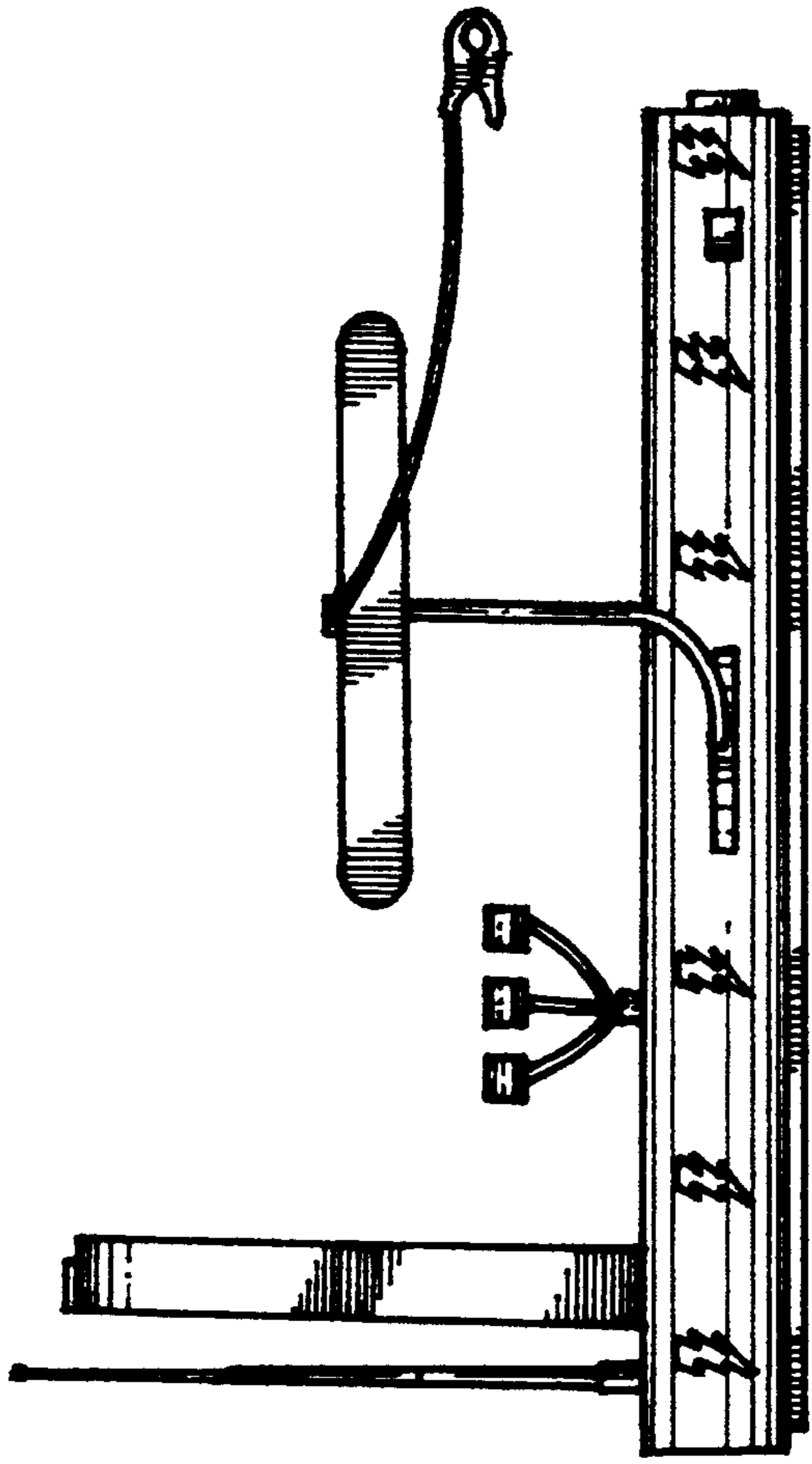


FIG. 5.

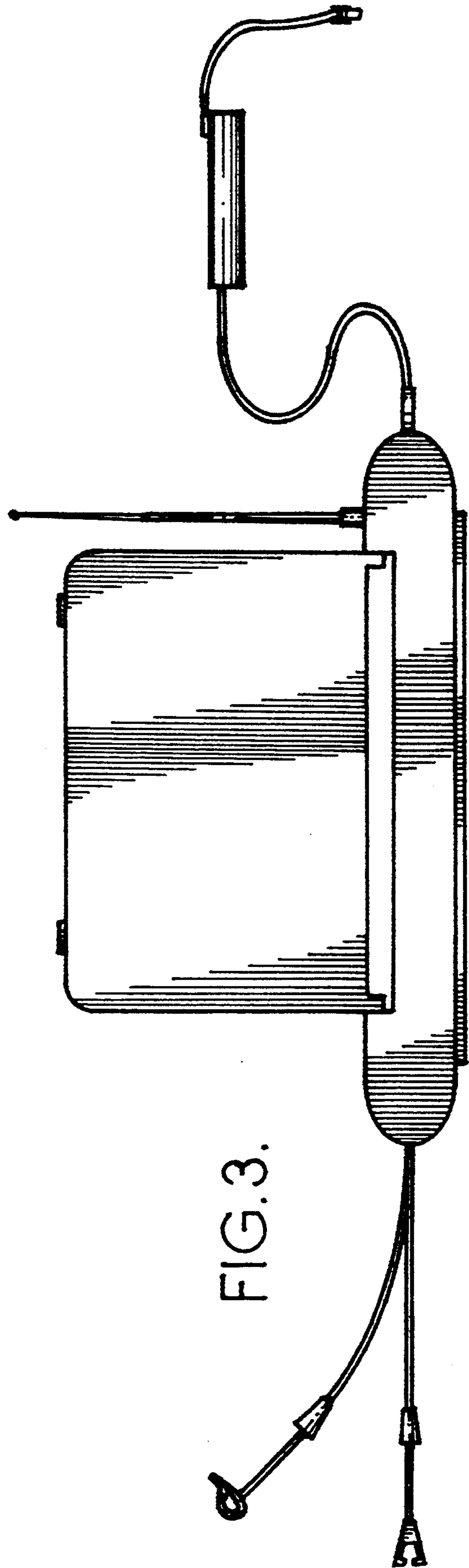


FIG. 3.

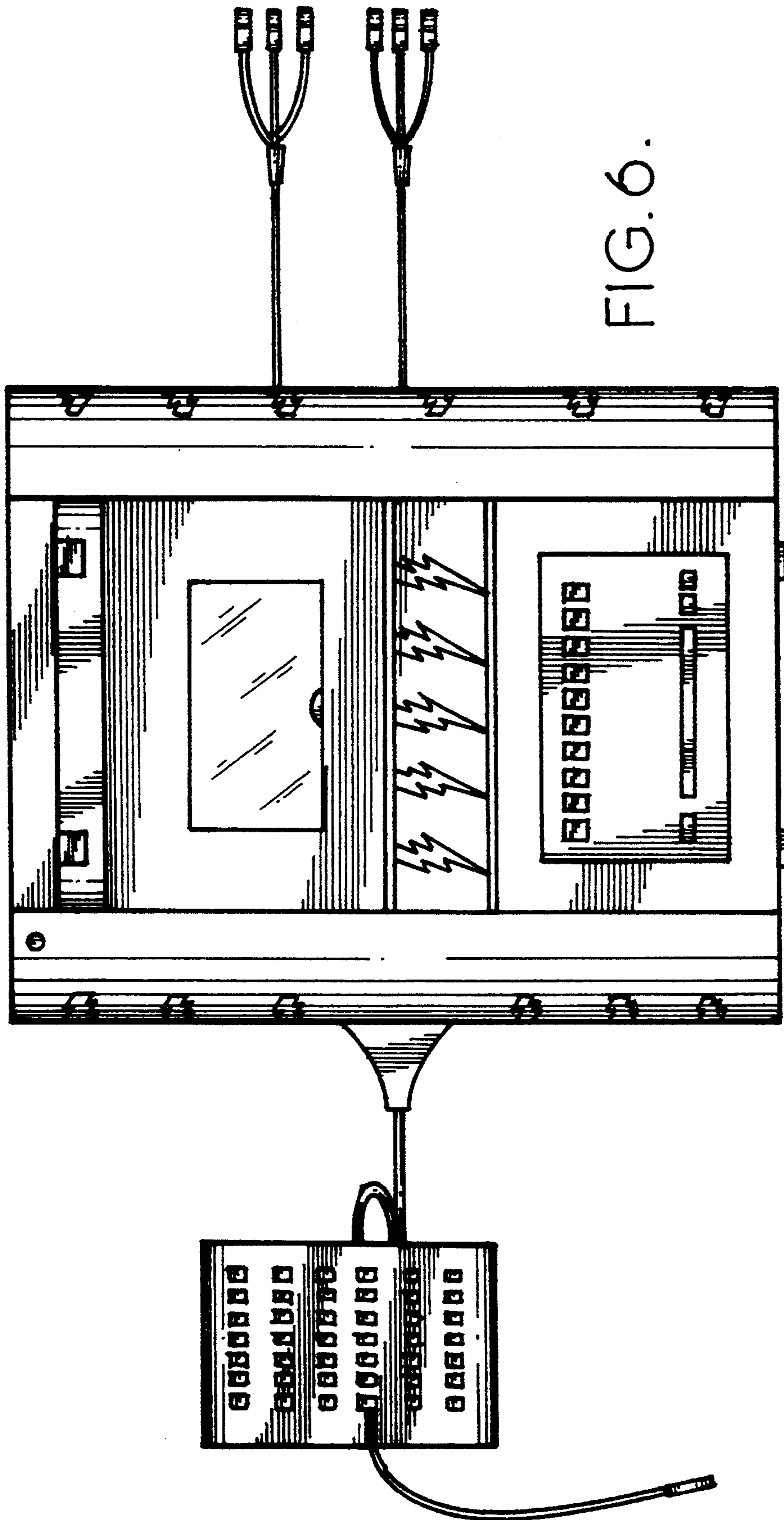


FIG. 6.