



US00D352007S

United States Patent [19]

[11] Patent Number: **Des. 352,007**

Boucheron

[45] Date of Patent: **** Nov. 1, 1994**

[54] **WRISTWATCH**

- [75] Inventor: **Alain Boucheron**, Paris, France
- [73] Assignee: **Boucheron (Societe Anonyme)**, Paris, France
- [**] Term: **14 Years**
- [21] Appl. No.: **894,796**
- [22] Filed: **Jun. 4, 1992**

[30] **Foreign Application Priority Data**

- Dec. 6, 1991 [FR] France 917.721
- [52] U.S. Cl. **D10/39; D10/30**
- [58] Field of Search 368/280-282,
368/276-277, 285; D10/1-40, 122-132

[56] **References Cited**

U.S. PATENT DOCUMENTS

- D. 150,285 7/1948 Arpels D10/39
- D. 261,365 10/1981 Carre D10/38
- D. 279,271 6/1985 Bouille D10/30

OTHER PUBLICATIONS

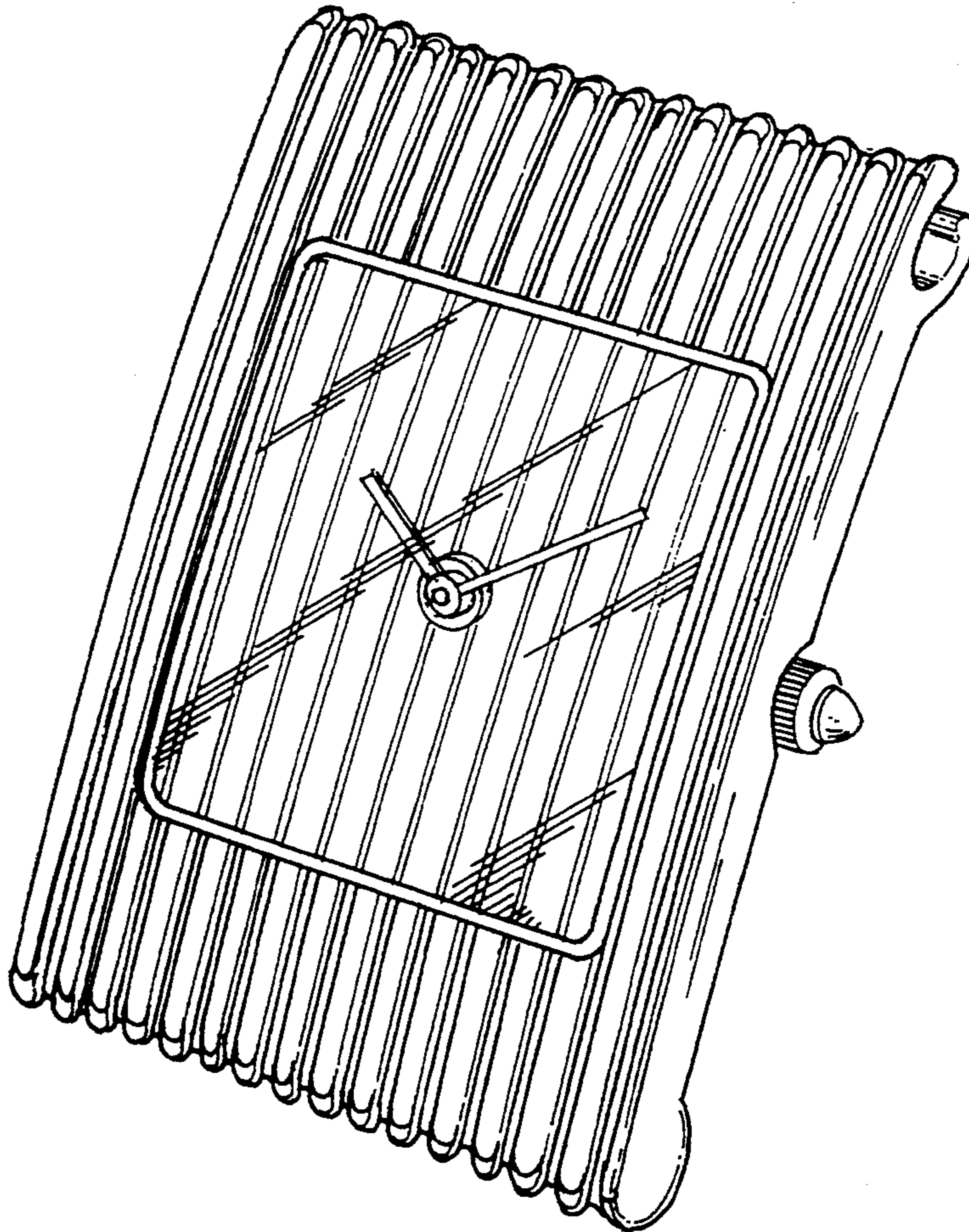
- Swiss Watch & Jewelry Journal*—Jun. 1979—p. 598—watch.
- Jeweler's Circular—Keystone*—Feb. 1982—p. 39—watch at left.
- Swiss Watch & Jewelry Journal*—Jun. 1985—p. 856—watch at top-left.
- European Jeweler (G.Z.)*—Nov. 1987—p. 53—watches.
- Primary Examiner*—Nelson C. Holtje
- Attorney, Agent, or Firm*—Young & Thompson

[57] **CLAIM**

The ornamental design for a wristwatch, as shown.

DESCRIPTION

FIG. 1 is a front and side perspective view of a wristwatch showing my new design;
 FIG. 2 is a view similar to FIG. 1 but from the other side thereof;
 FIG. 3 is a front elevational view thereof;
 FIG. 4 is a rear elevational view thereof;
 FIG. 5 is a side elevational view thereof from the left of FIG. 3; and,
 FIG. 6 is a side elevational view thereof from the right of FIG. 3.



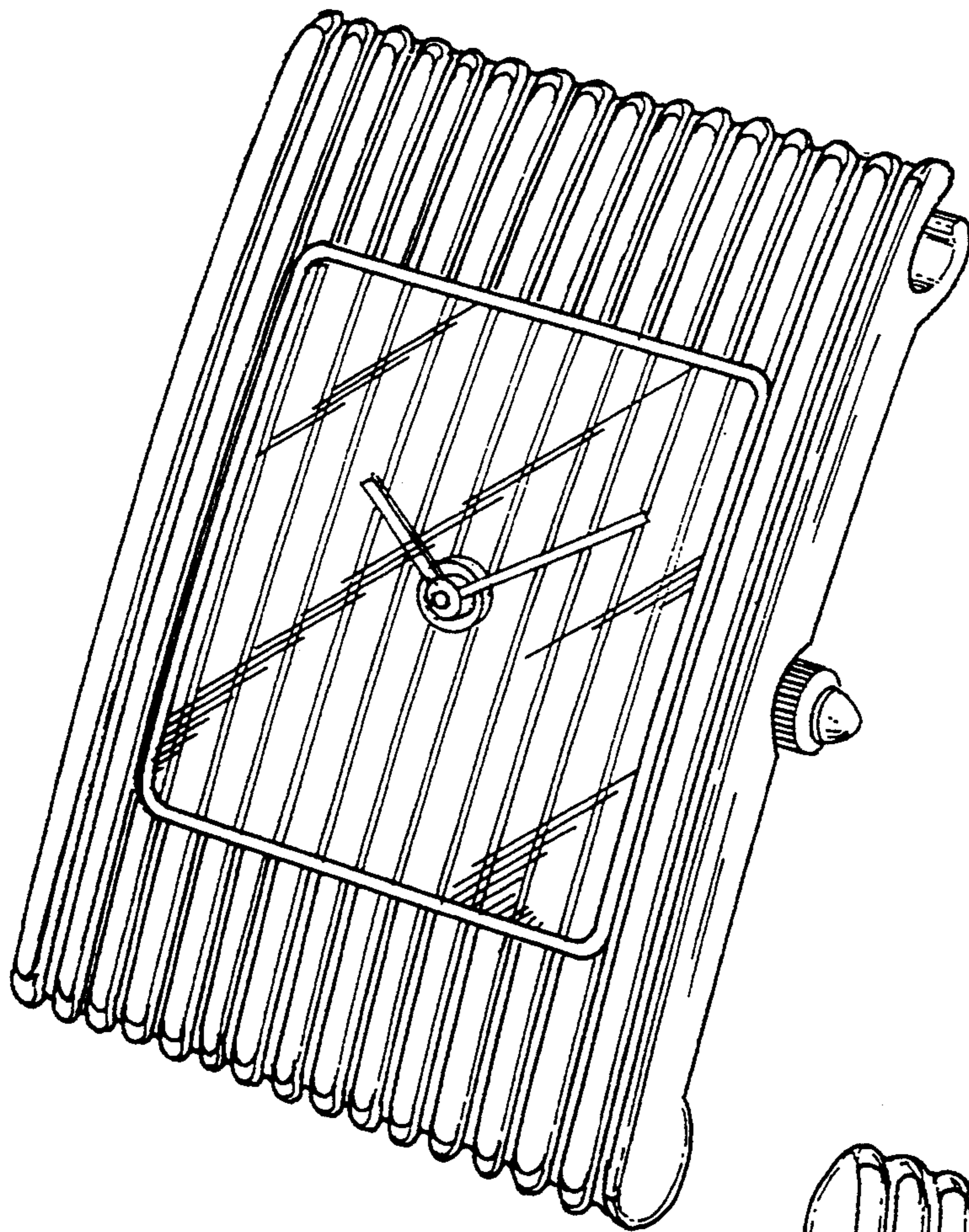


FIG. 1

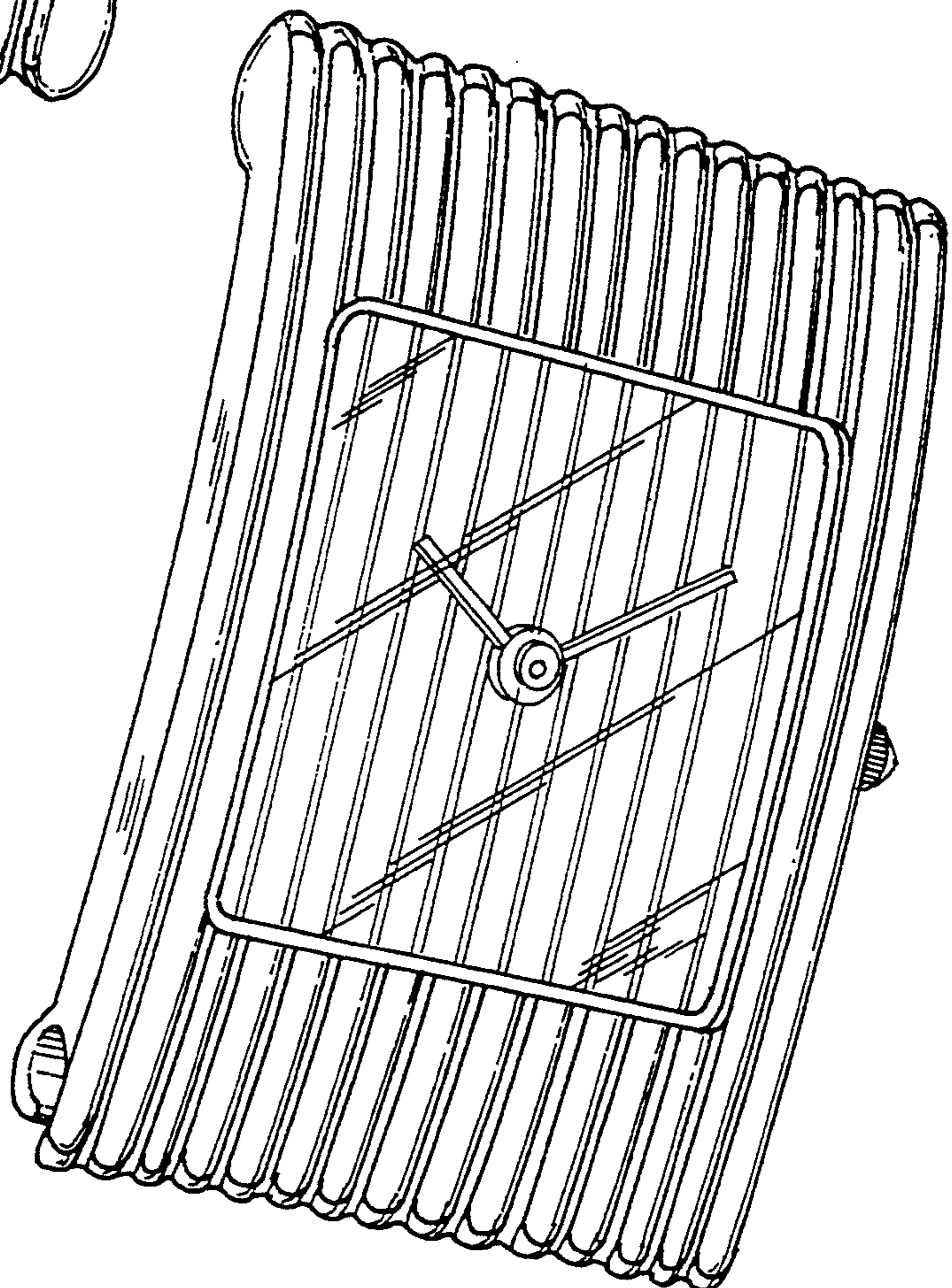


FIG. 2

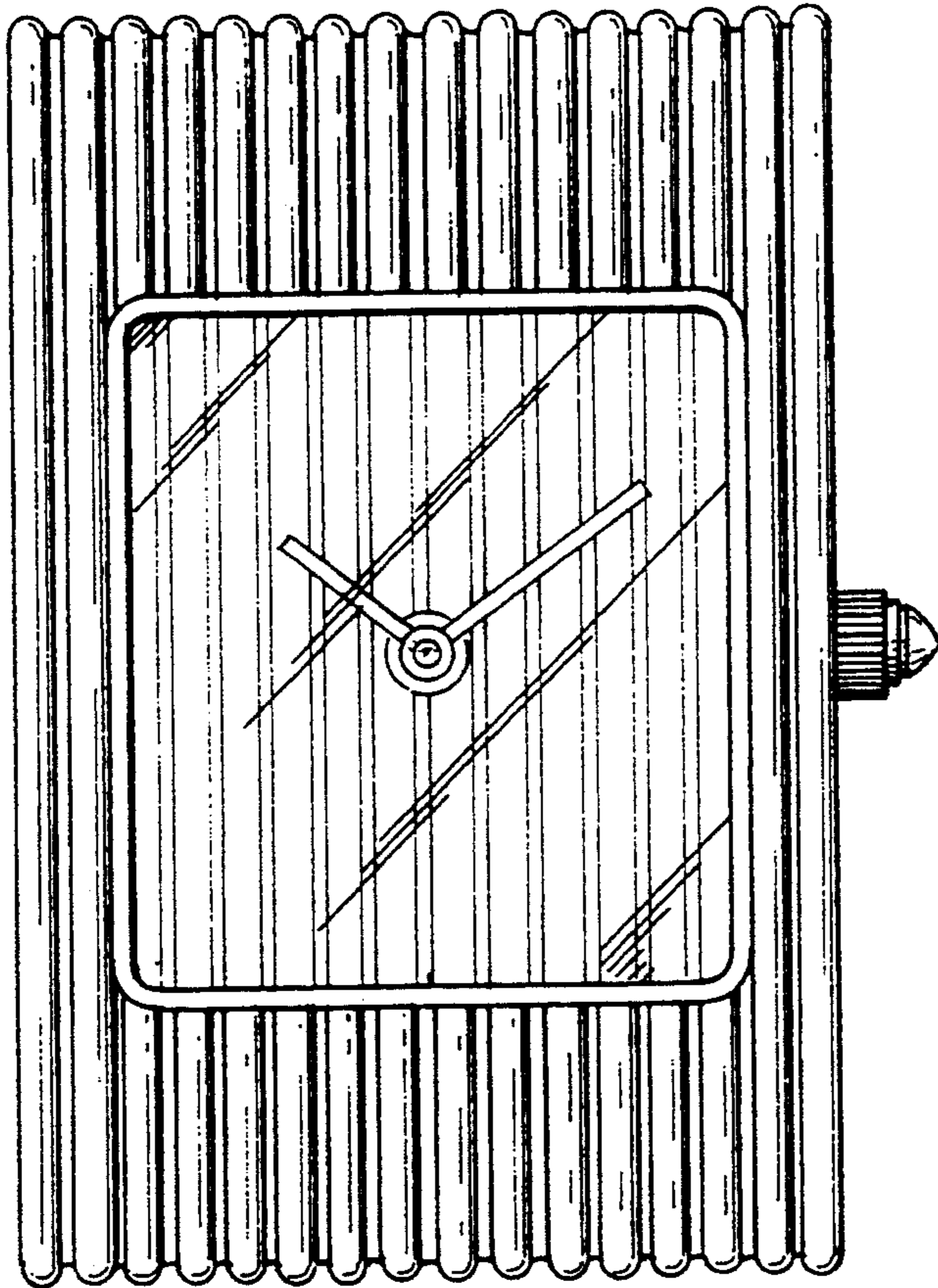


FIG. 3

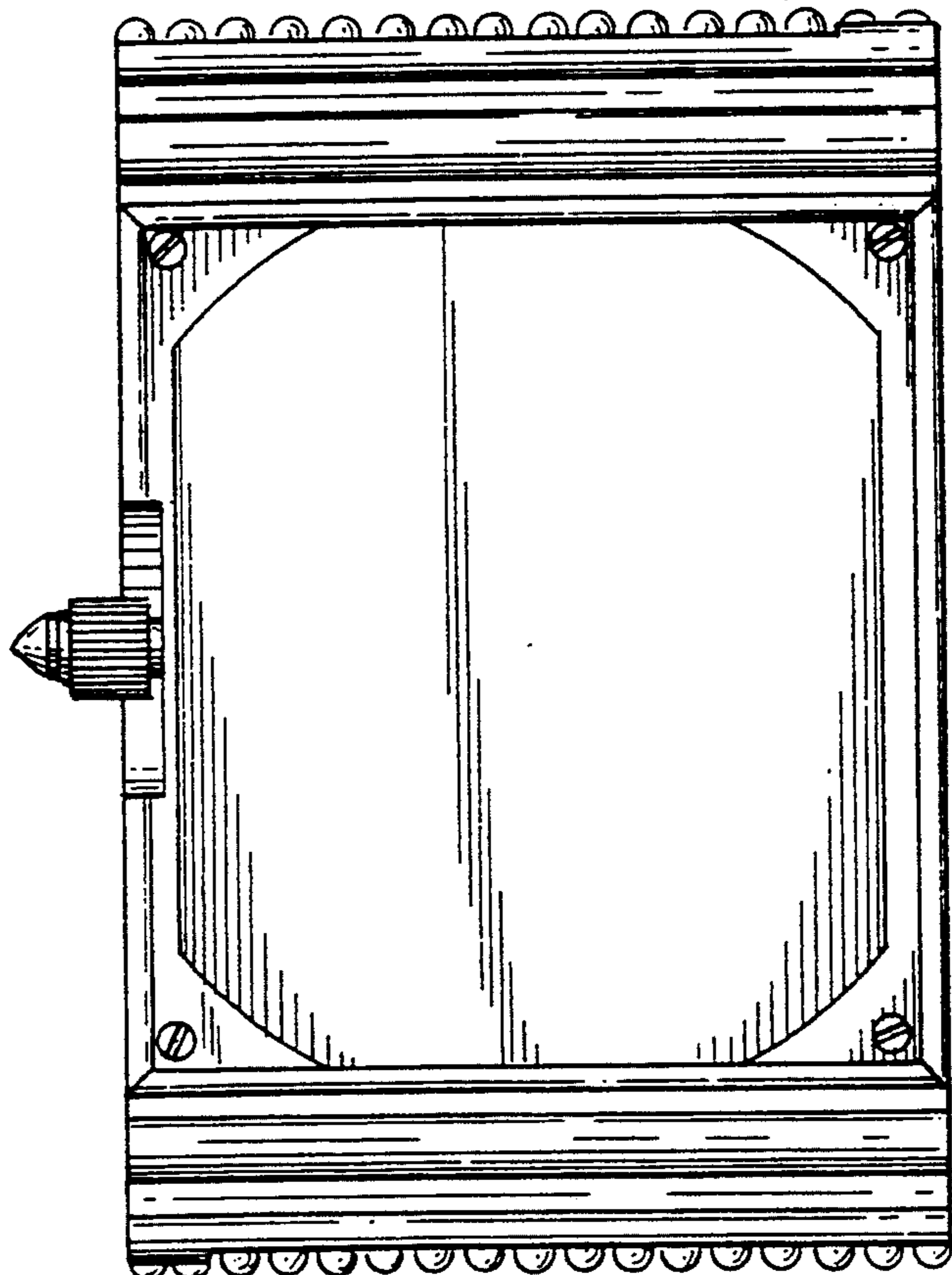


FIG. 4



FIG. 5

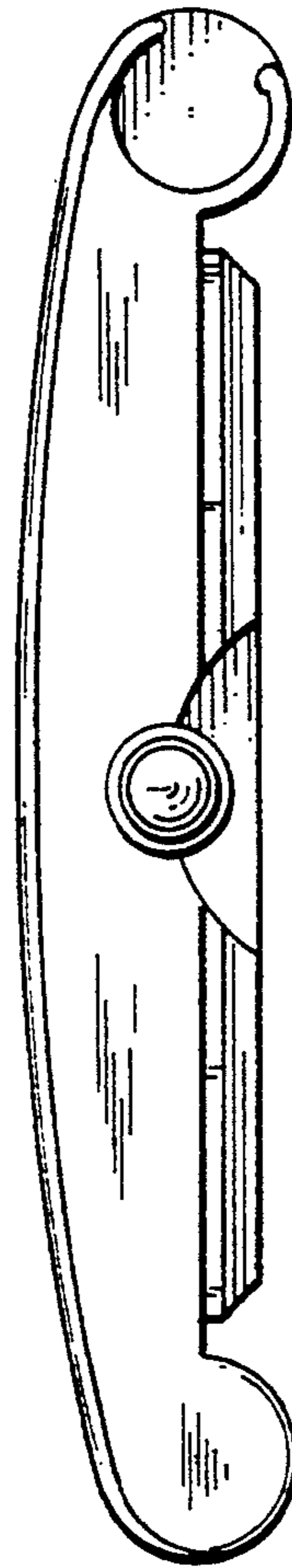


FIG. 6