



US00D352001S

**United States Patent** [19]  
**Hsieh**

[11] **Patent Number: Des. 352,001**  
[45] **Date of Patent: \*\* Nov. 1, 1994**

[54] **BALL CASE**  
[76] **Inventor: Jung-Tung Hsieh, 8th Fl.-2, No. 333, Sec. 4, Chungsiao E. Rd., Taipei,**

4,691,824 9/1987 Schindler ..... 206/315.9  
5,085,320 2/1992 Scott ..... 206/315.9  
5,139,189 8/1992 Hanley ..... 224/919 X  
5,165,538 11/1992 Peters ..... 206/315.9

[\*\*] **Term: 14 Years**

*Primary Examiner—Prabhakar G. Deshmukh*  
*Attorney, Agent, or Firm—Poms, Smith, Lande & Rose*

[21] **Appl. No.: 12,307**

[57] **CLAIM**

[22] **Filed: Aug. 27, 1993**

The ornamental design for a ball case, as shown.

[52] **U.S. Cl. .... D9/429**

**DESCRIPTION**

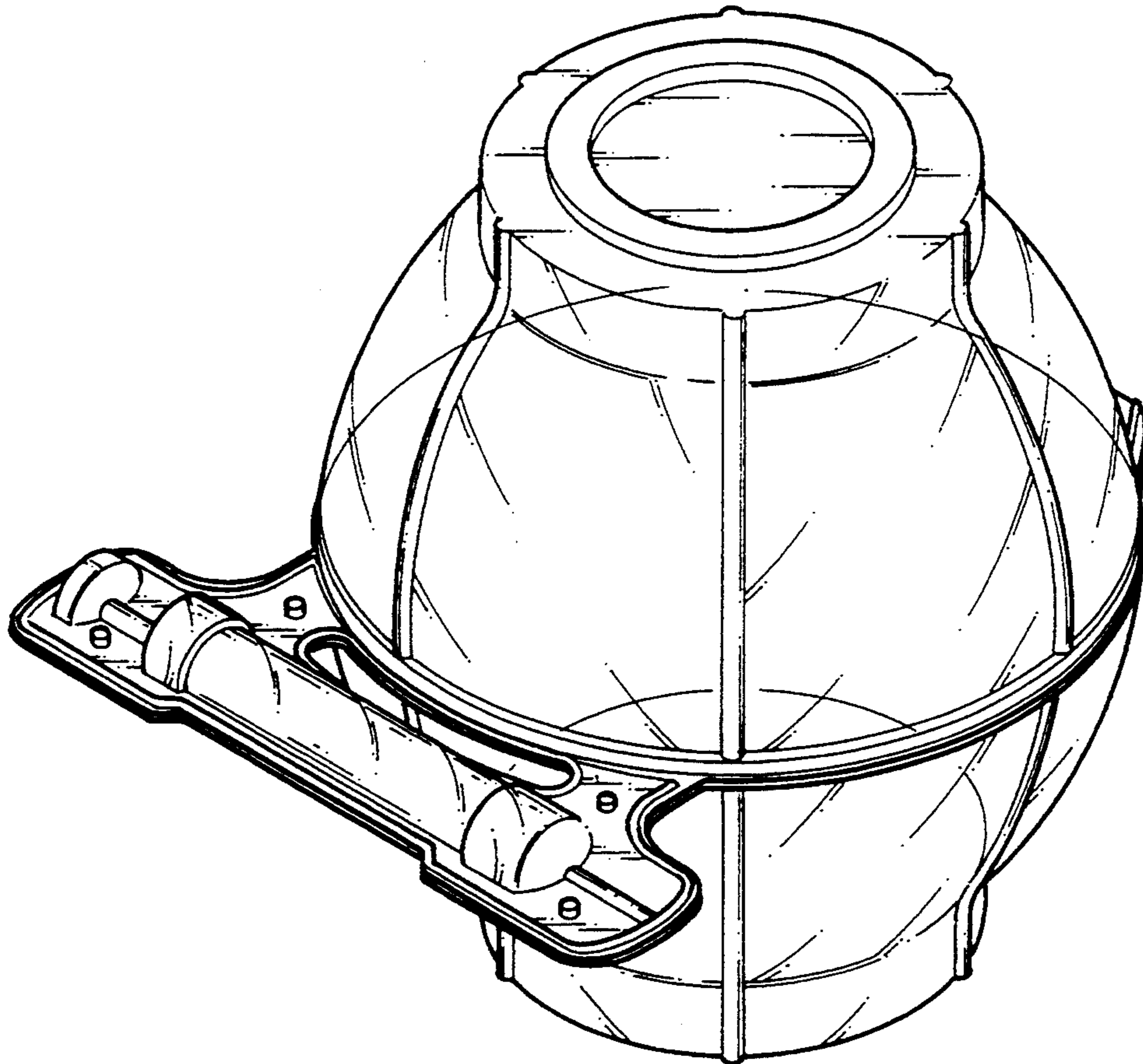
[58] **Field of Search .... D9/428, 429, 424, 513, D9/549, 569, 570; 220/4.21-4.25; 206/315.9, 315.1; 224/919**

FIG. 1 is a front-right-top perspective view of a ball case, showing my new design;  
FIG. 2 is a front view thereof, the opposite side view being a mirror image;  
FIG. 3 is a left side view thereof;  
FIG. 4 is a right side view thereof; and,  
FIG. 5 is a top view thereof, the opposite side view being a mirror image.

[56] **References Cited**

**U.S. PATENT DOCUMENTS**

D. 343,591 1/1994 Lovato ..... D9/420 X  
4,331,251 5/1982 Berman et al. .... 220/4.25 X



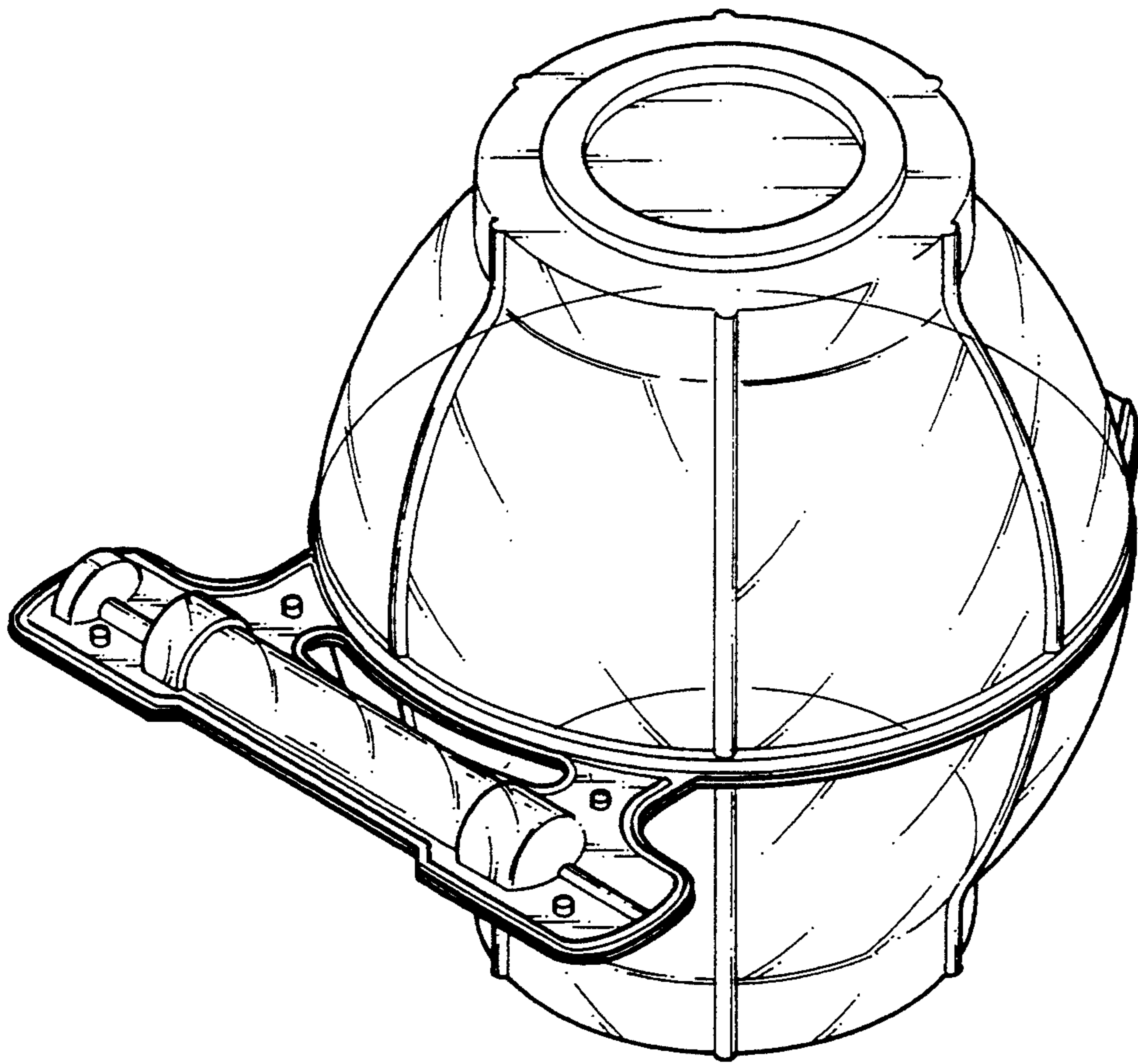


FIG. 1

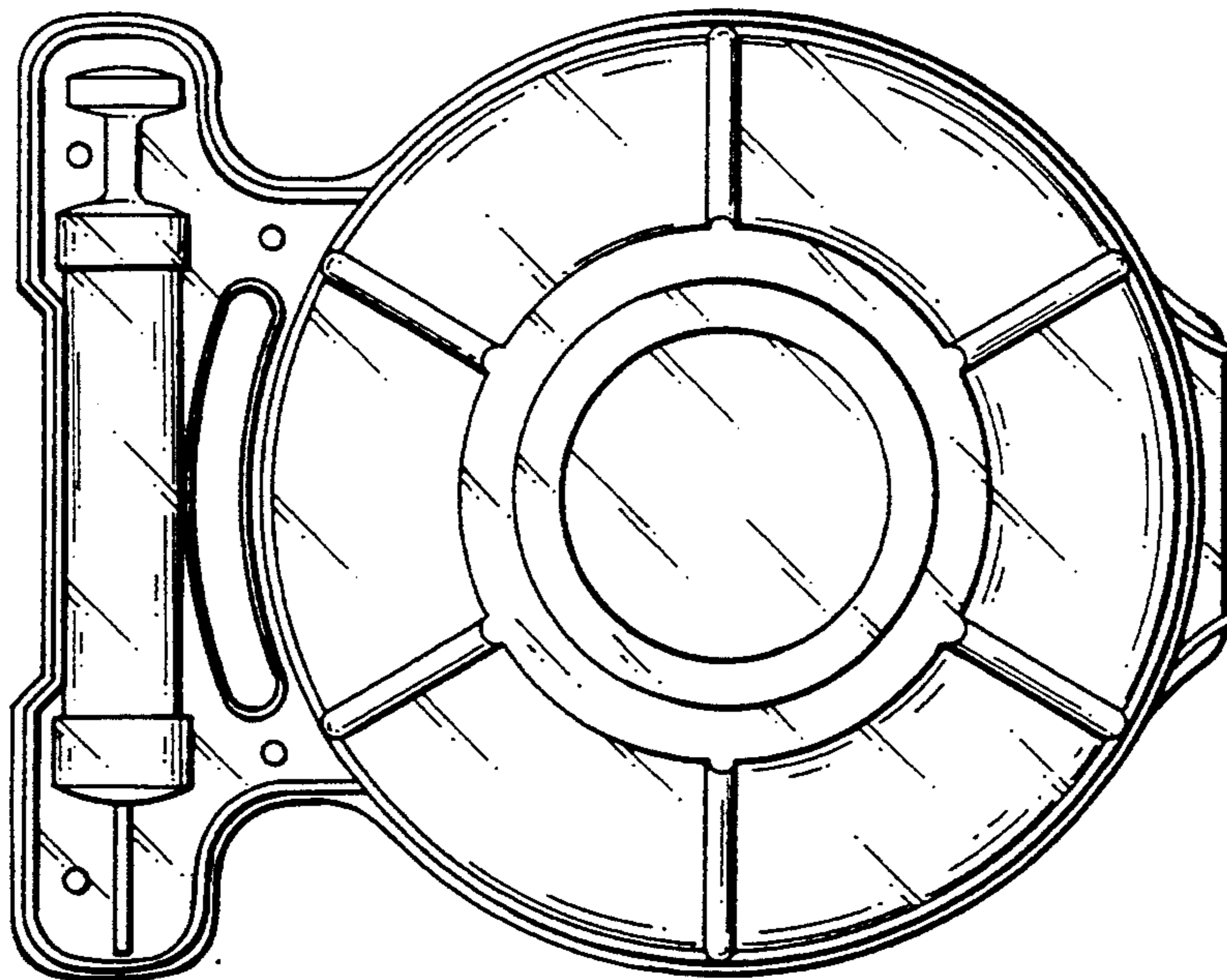


FIG. 5

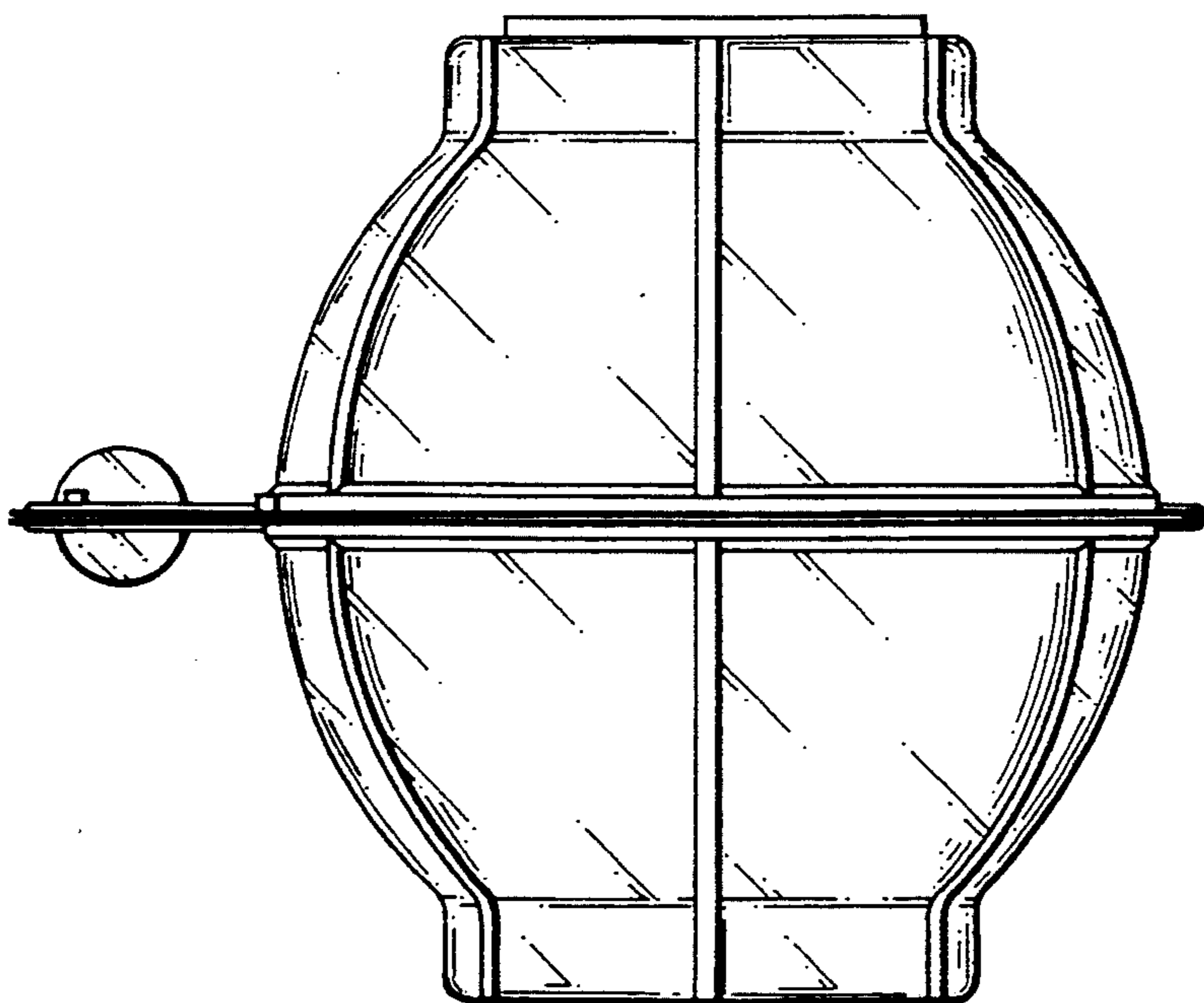


FIG. 2



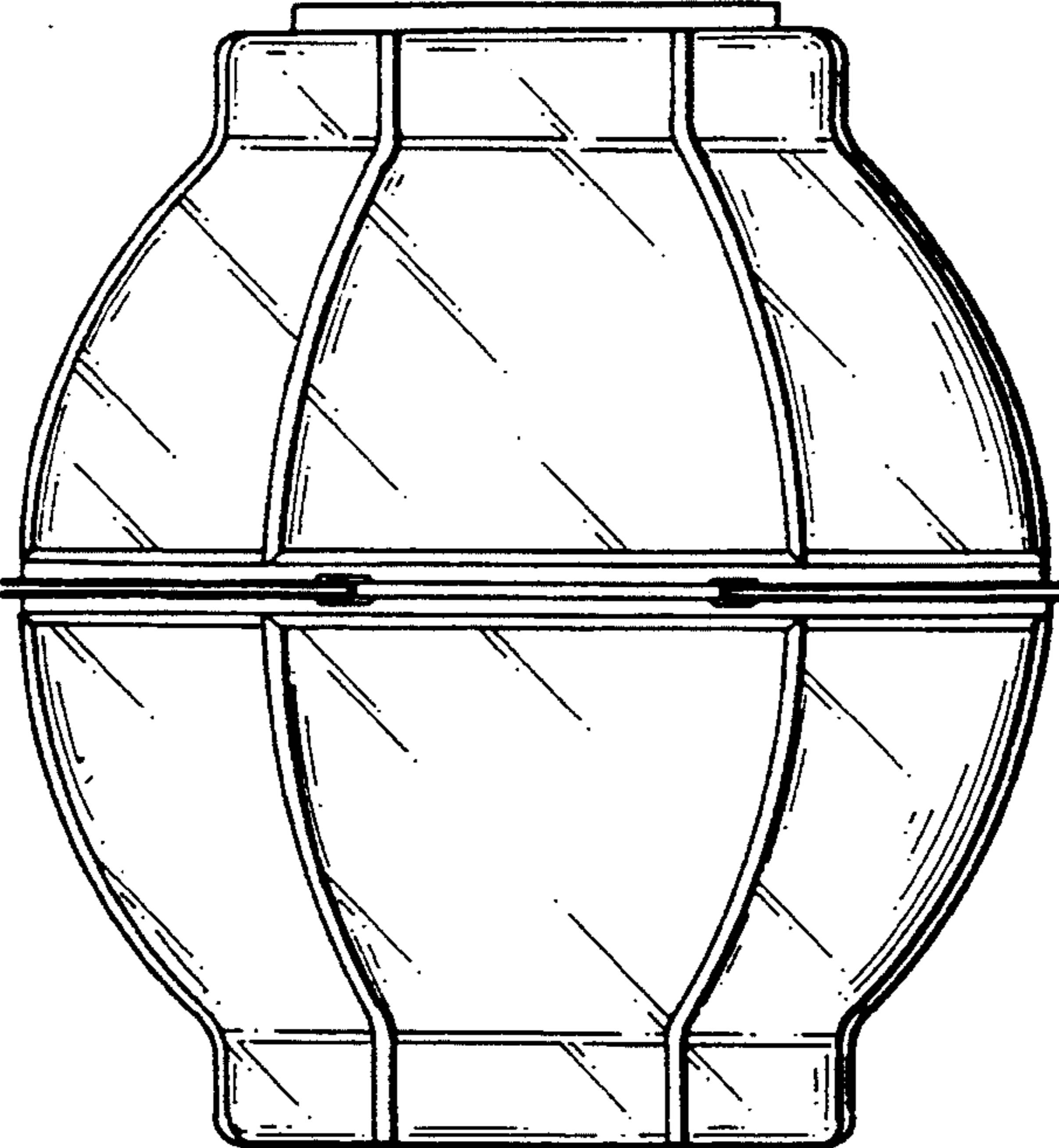


FIG. 4

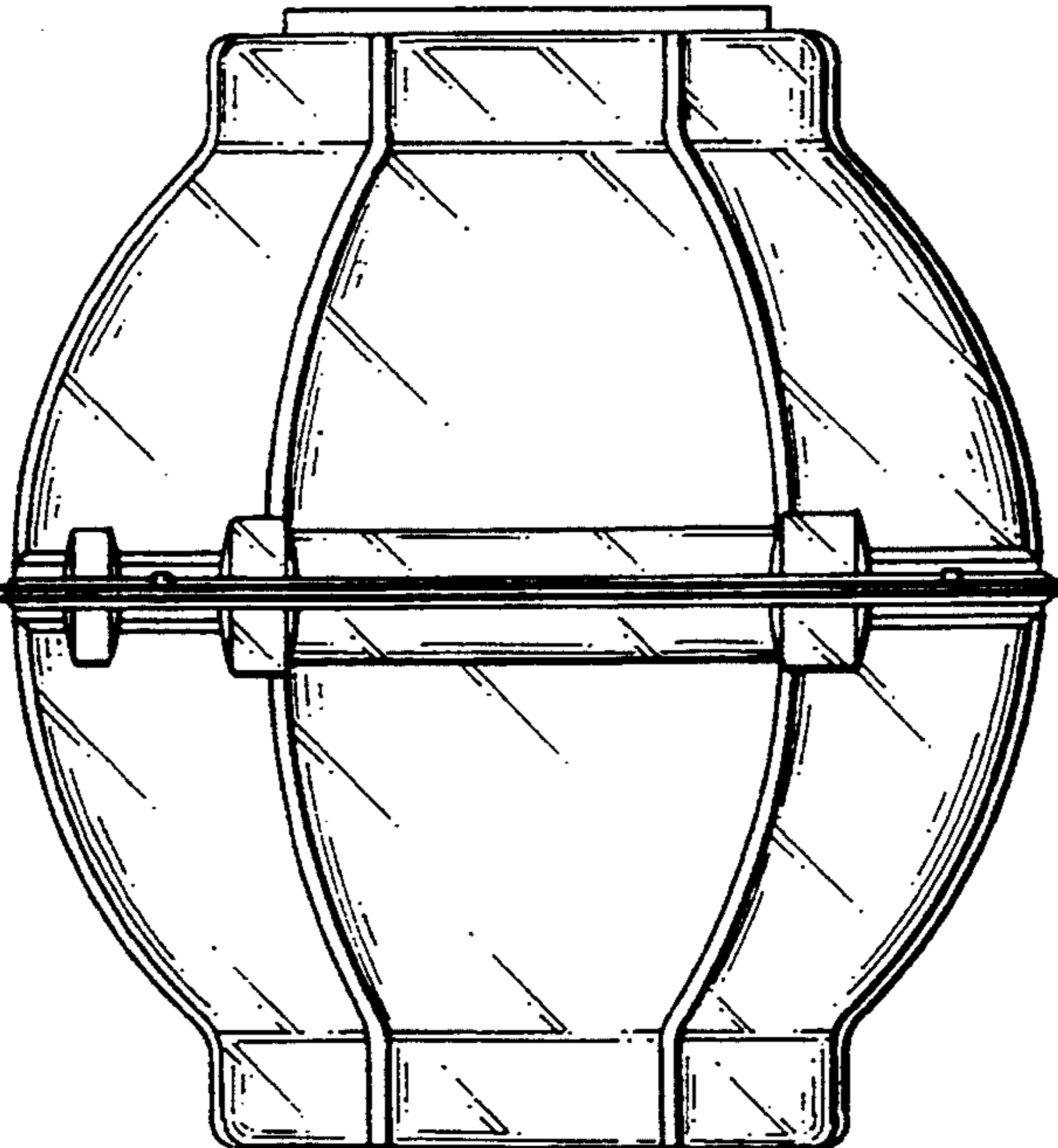


FIG. 3