



US00D351992S

United States Patent [19]

[11] Patent Number: **Des. 351,992**

Jacques

[45] Date of Patent: **** Nov. 1, 1994**

[54] **DISPOSABLE DISPENSING POUCH**

[76] Inventor: **William Jacques**, 9180 Joy La.,
Granite Bay, Calif. 95746

[**] Term: **14 Years**

[21] Appl. No.: **2,686**

[22] Filed: **Dec. 16, 1992**

[52] U.S. Cl. **D9/306; D9/302**

[58] Field of Search **D9/302, 305, 306;**
206/206, 209, 158, 326, 469, 484, 565; 222/107,
215, 474, 475, 527, 541; D24/115-117, 119, 224

[56] **References Cited**

U.S. PATENT DOCUMENTS

D. 223,897 6/1972 Crew D9/305
2,696,342 12/1954 Toborg 222/527
2,751,072 6/1956 Ditmar D9/302 X

3,913,789 10/1975 Miller 222/107
4,394,936 7/1983 Shavit 222/107
4,759,472 8/1988 Strenger D9/302 X
4,797,309 1/1989 Kammerer et al. 206/484 X
5,111,932 5/1992 Campbell 206/216

Primary Examiner—Bernard Ansher

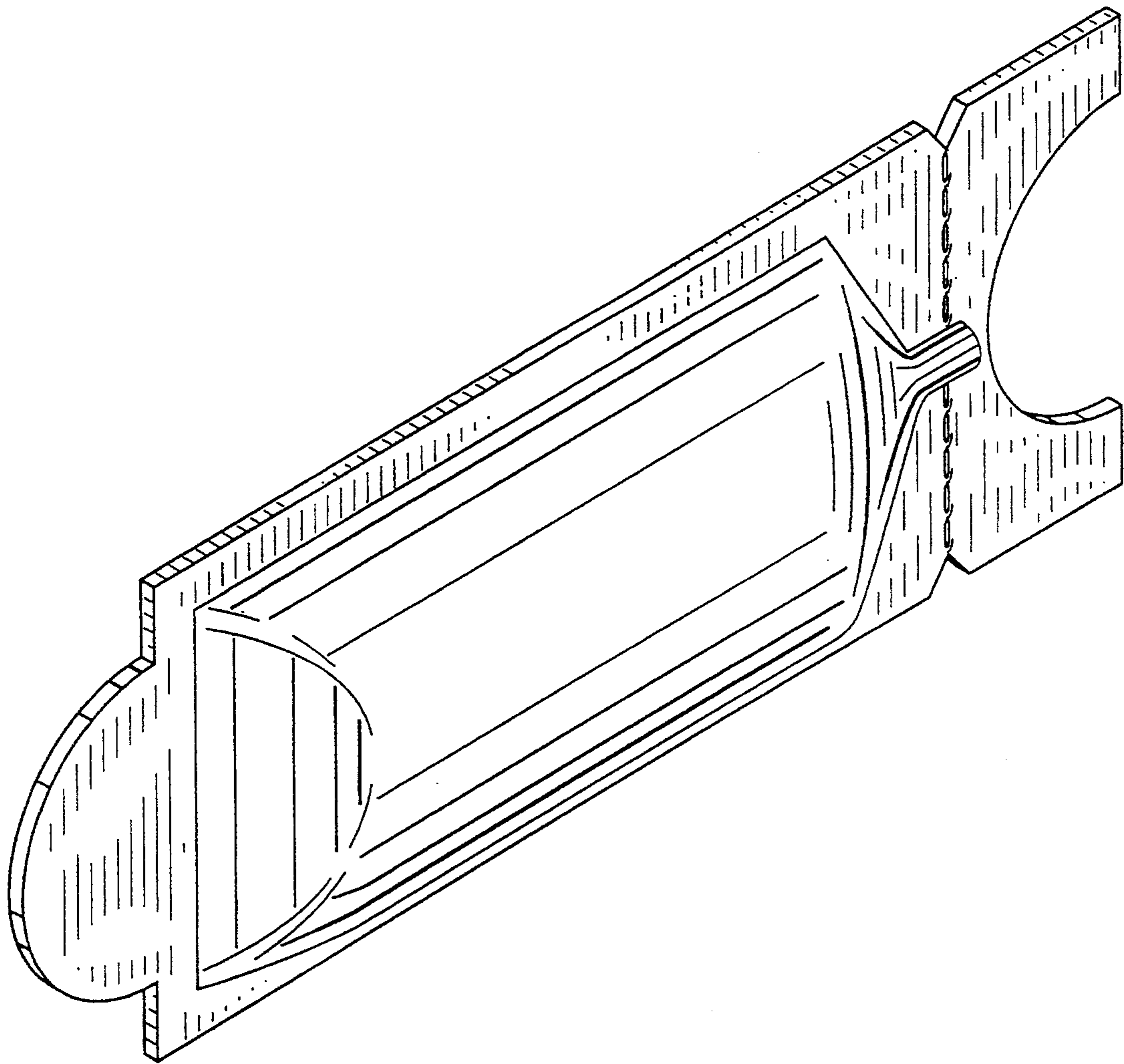
Assistant Examiner—M. Siegel

[57] **CLAIM**

The ornamental design for a disposable dispensing pouch, as shown and described.

DESCRIPTION

FIG. 1 is a top plan view of a disposable dispensing pouch showing my new design;
FIG. 2 is a side elevational view thereof, the undisclosed opposite side being identical;
FIG. 3 is a left end view thereof;
FIG. 4 is a right end view thereof; and,
FIG. 5 is a perspective view thereof.



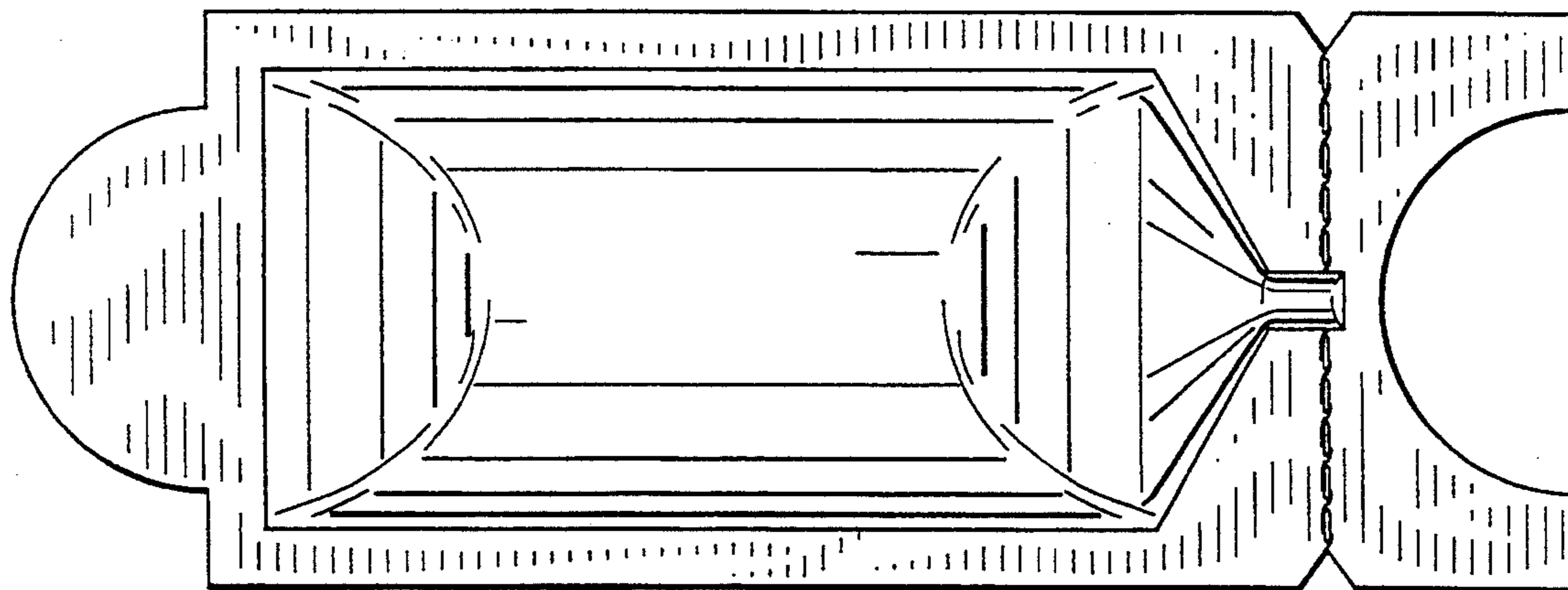


FIG. - 1

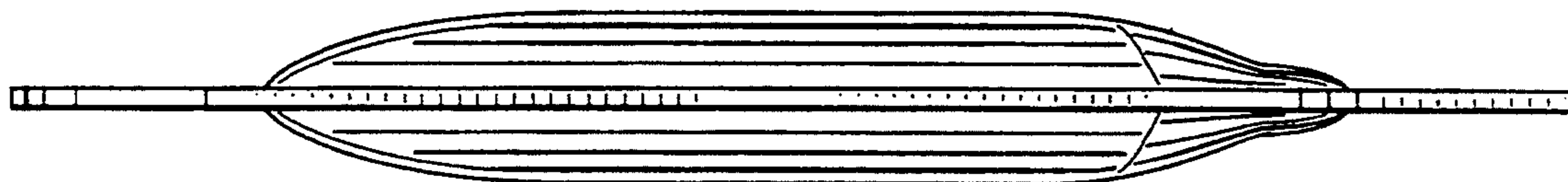


FIG. - 2

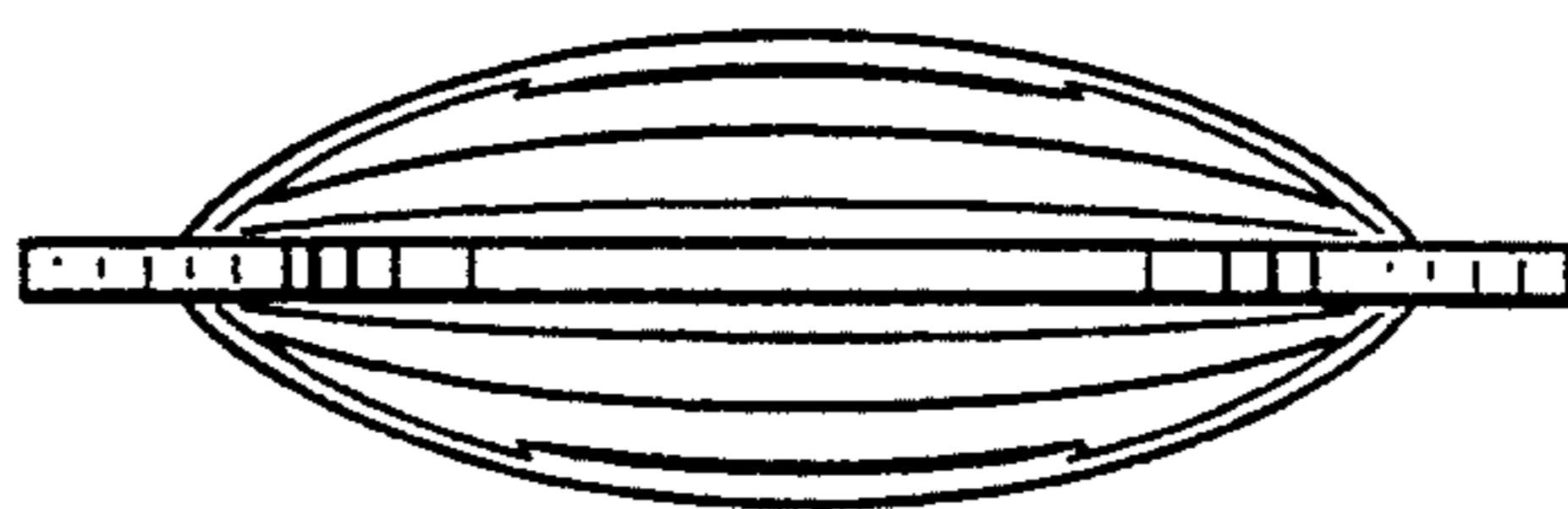


FIG. - 3

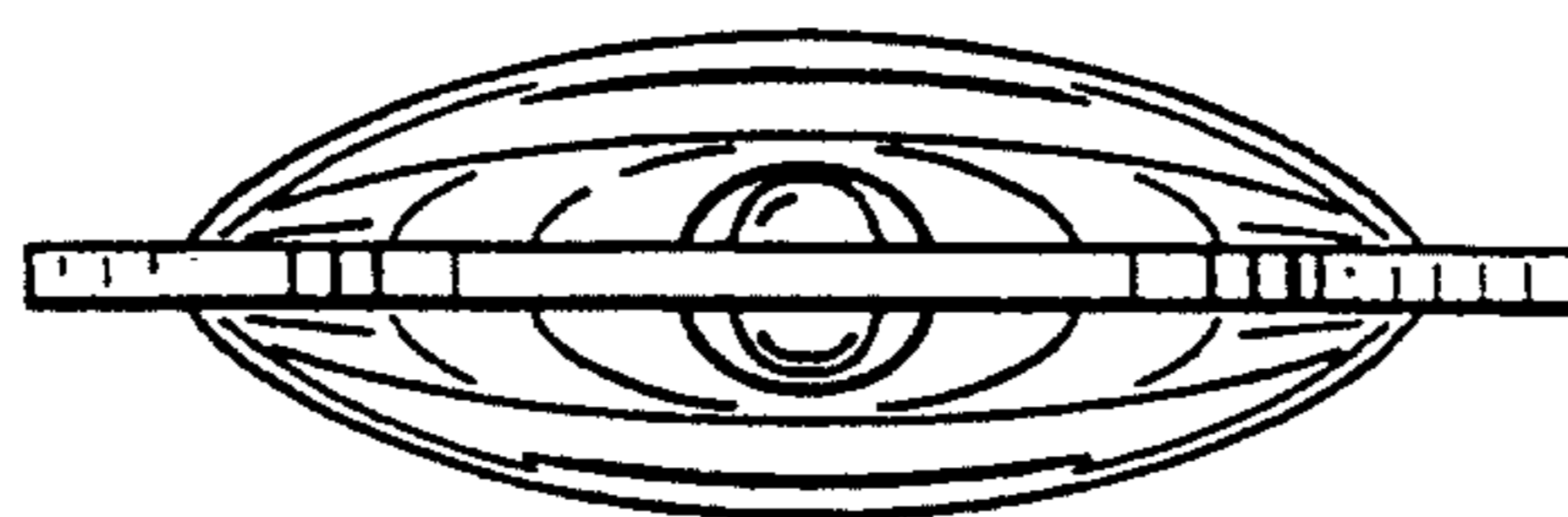


FIG. - 4

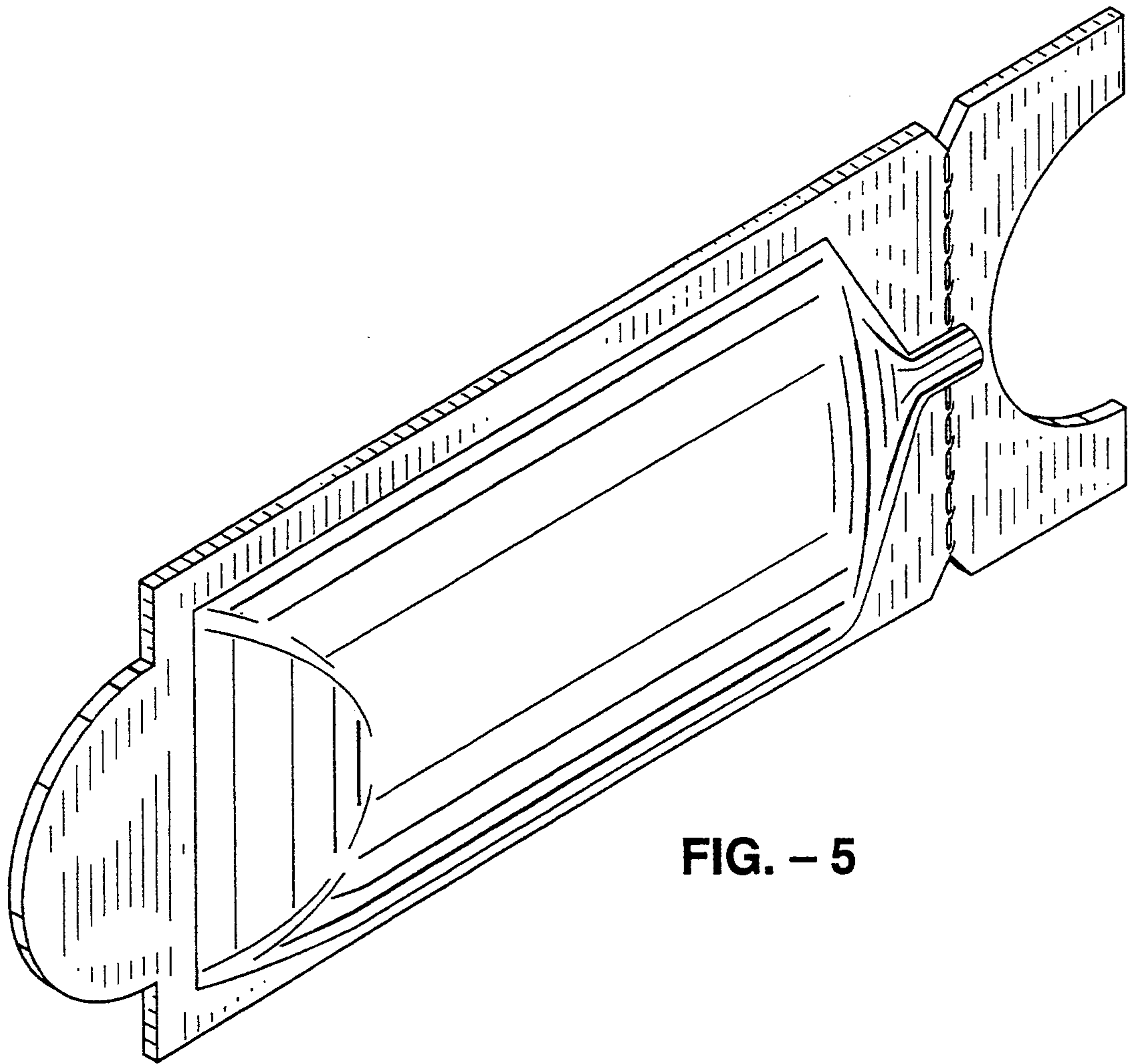


FIG. - 5