



US00D351985S

United States Patent [19]

[11] Patent Number: **Des. 351,985**

Victor

[45] Date of Patent: **** Nov. 1, 1994**

[54] **DOOR LOCK**

[57] **CLAIM**

[76] Inventor: **Navarsky Victor**, 10-9,
Yamamoto-dori 3-chome, Chuo-ku,
Kobe-shi, Hyogo, Japan

The ornamental design for a door lock, as shown and described.

[**] Term: **14 Years**

DESCRIPTION

[21] Appl. No.: **15,209**

FIG. 1 is a front elevational view of a door lock showing my new design;

[22] Filed: **Nov. 12, 1993**

FIG. 2 is a rear elevational view thereof;

[52] U.S. Cl. **D8/331**

FIG. 3 is a top plan view thereof, the bottom plan view being a mirror image;

[58] Field of Search **D8/330-331,**
D8/343; 70/14, 57, 77, 91, 94, 101

FIG. 4 is a left side view thereof;

FIG. 5 is a right side view thereof;

FIG. 6 is an enlarged vertical cross-sectional view thereof, taken along line A—A of FIG. 1;

FIG. 7 is a top, front, and left side perspective view thereof;

[56] **References Cited**

U.S. PATENT DOCUMENTS

| | | | | |
|-----------|--------|---------------|-------|---|
| 3,504,405 | 4/1970 | Elliott-Smith | 70/14 | X |
| 3,664,164 | 5/1972 | Zaidener | 70/14 | X |
| 4,003,227 | 1/1977 | Casey | 70/14 | |
| 4,372,136 | 2/1983 | Mickelson | 70/14 | |

FIG. 8 is an enlarged horizontal cross-sectional view thereof, taken along line B—B of FIG. 7;

FIG. 9 is an exploded top, front, and left side perspective view thereof; and,

FIG. 10 is a reduced top, front, and left side perspective view thereof, the broken line disclosure of a container being for illustrative purposes only and forming no part of the claimed design.

Primary Examiner—Brian N. Vinson
Attorney, Agent, or Firm—Wenderoth, Lind & Ponack

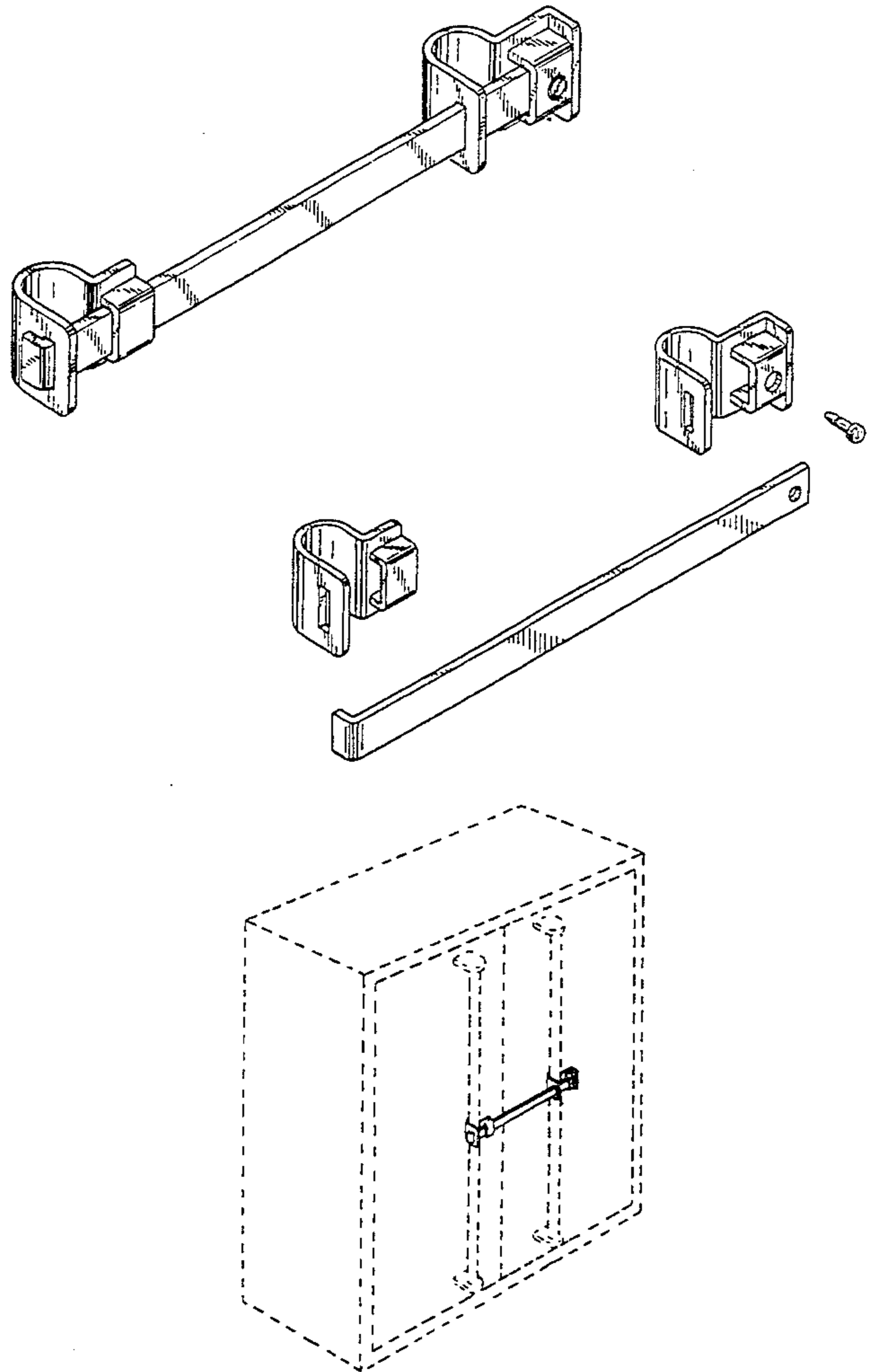


FIG. 1

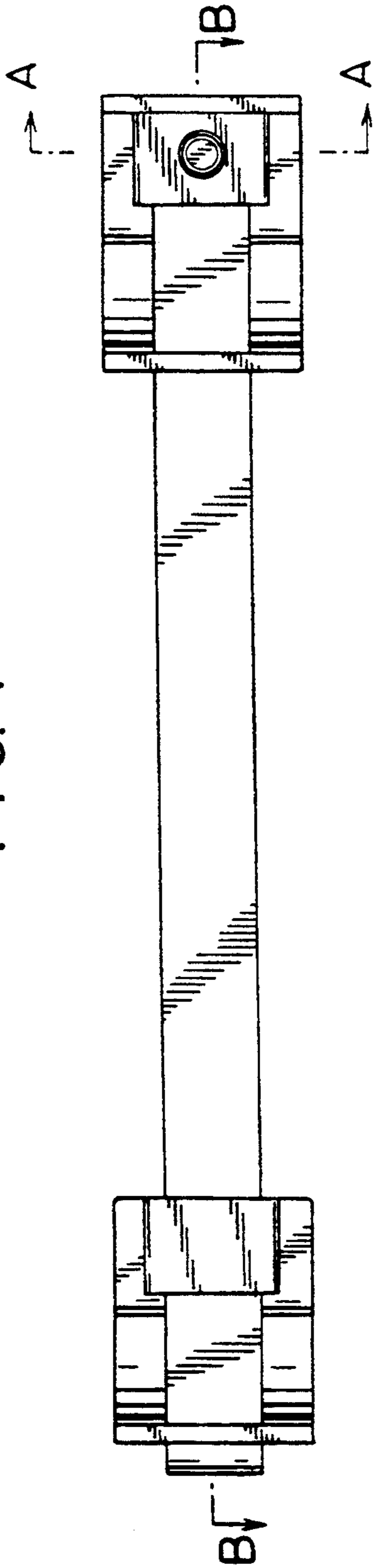


FIG. 4

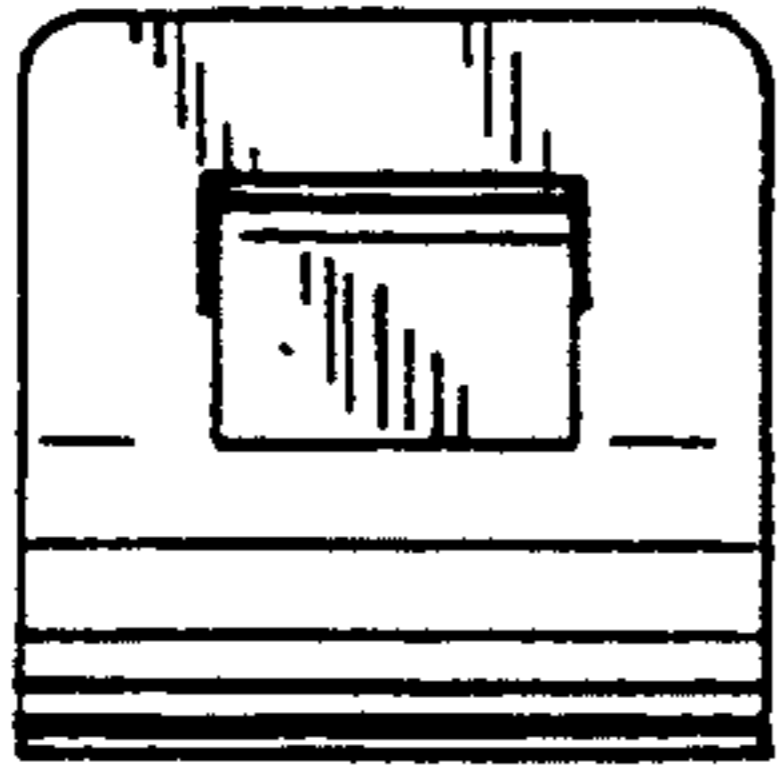


FIG. 2

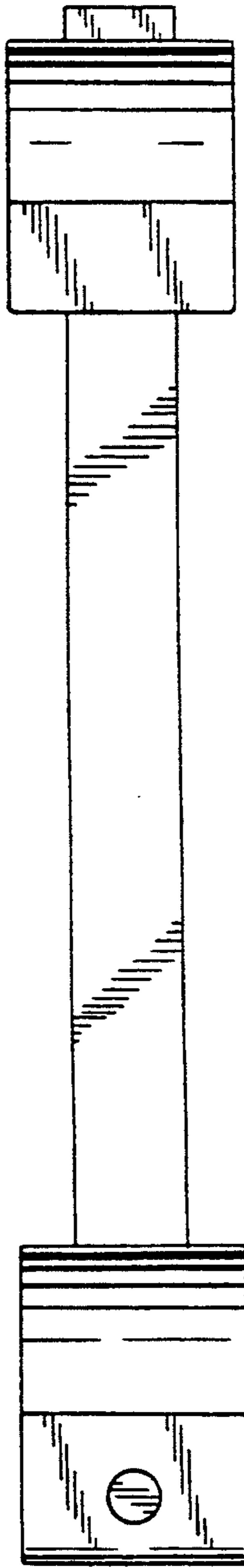


FIG. 5

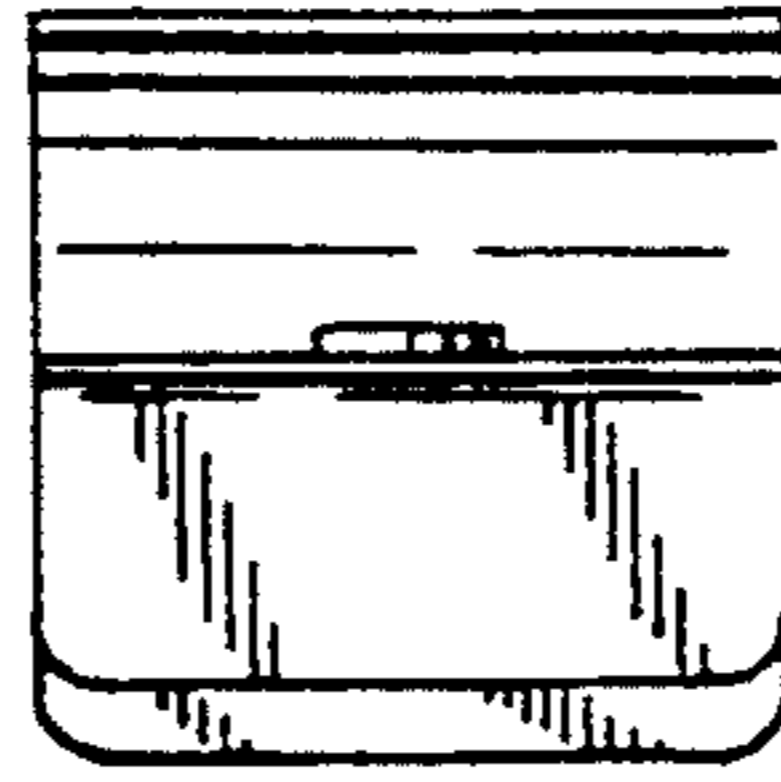


FIG. 3

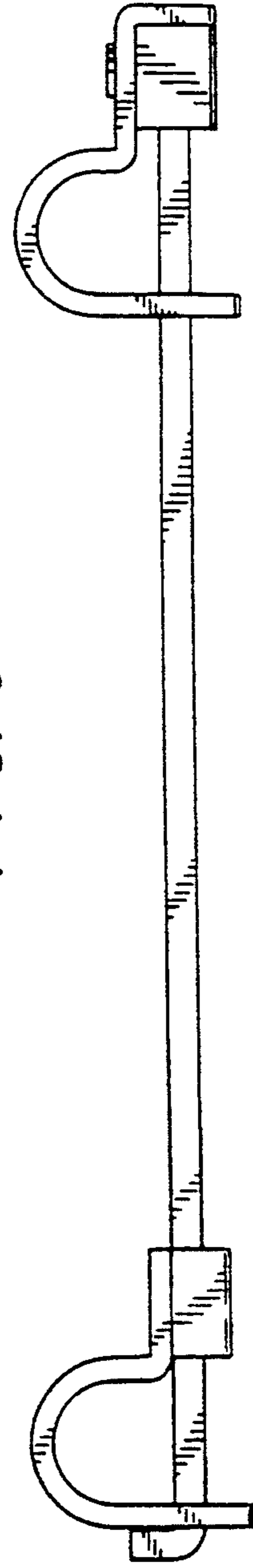


FIG. 6

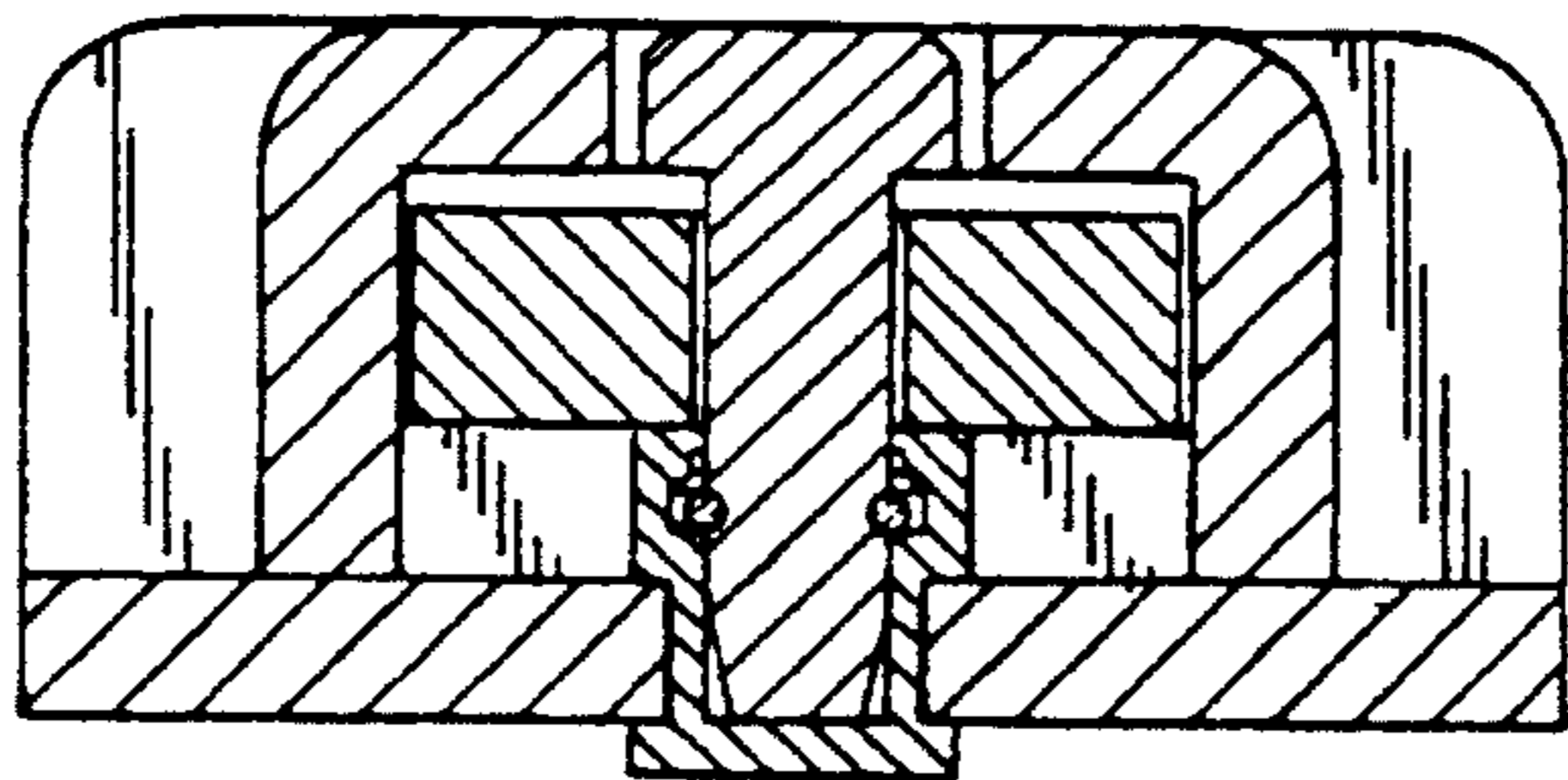


FIG. 7

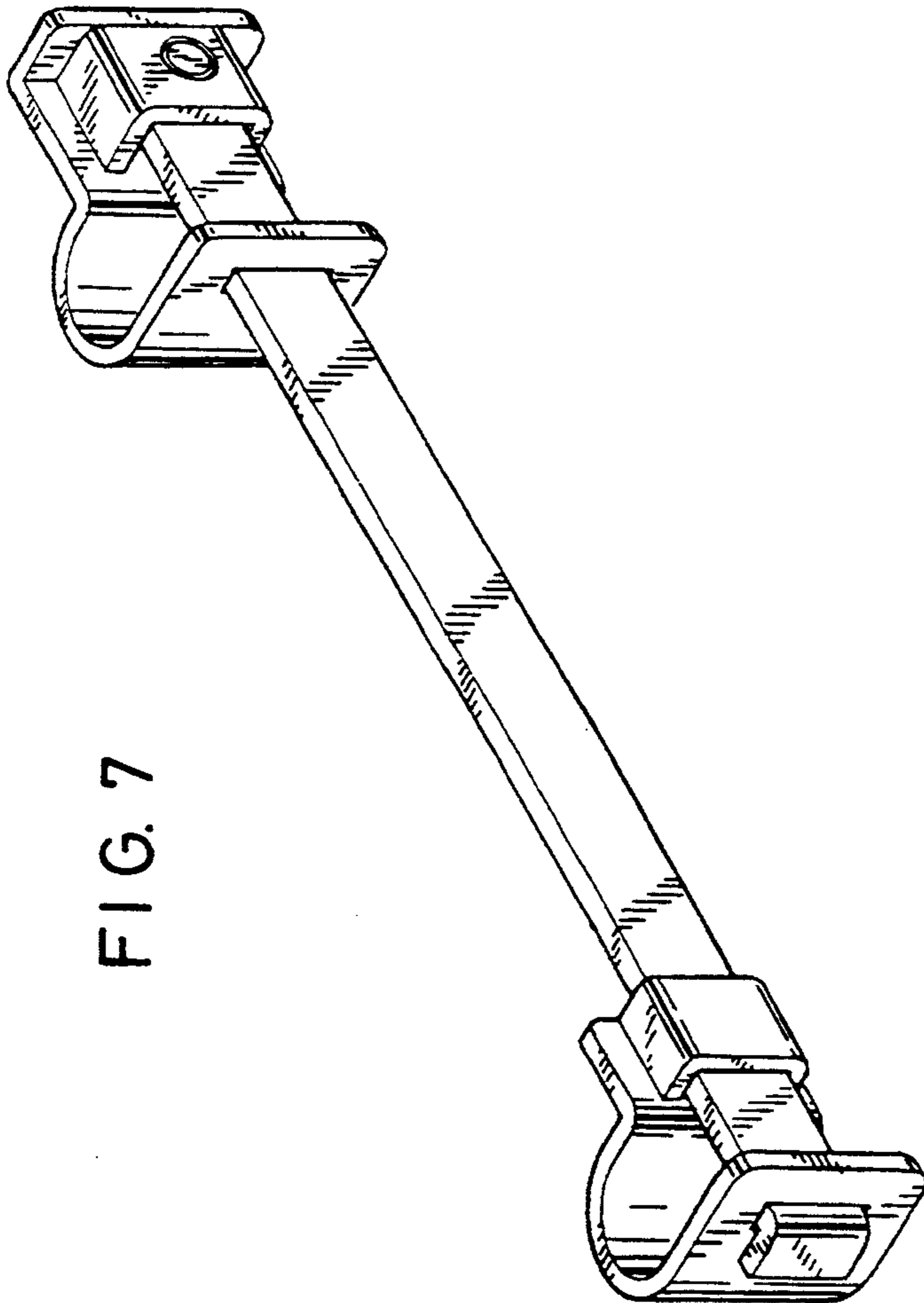


FIG. 8

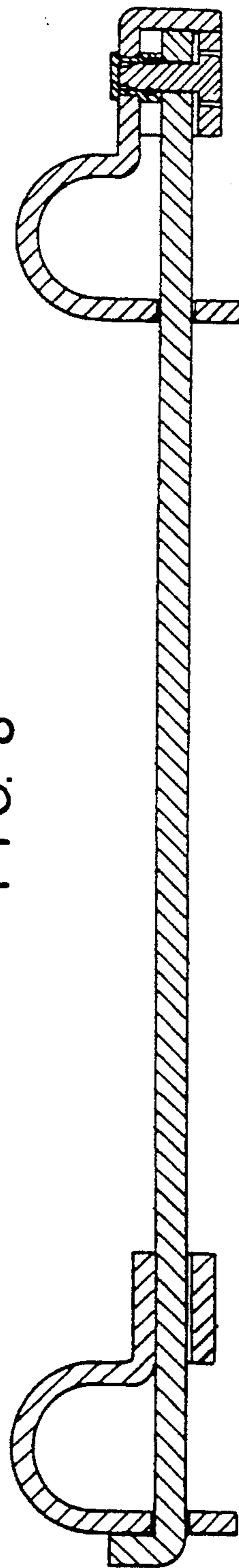


FIG. 9

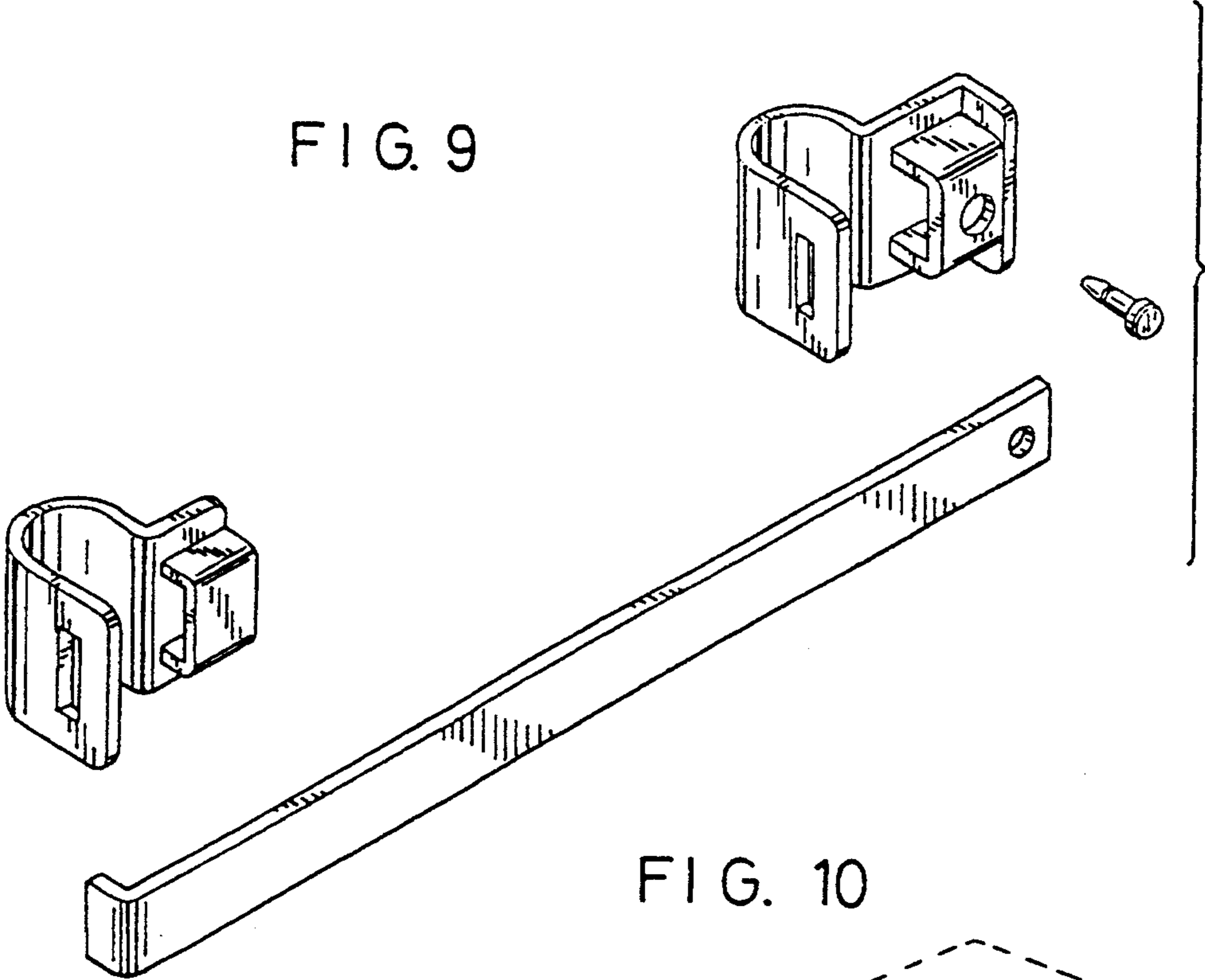


FIG. 10

