



US00D351984S

United States Patent [19]

[11] Patent Number: **Des. 351,984**

Victor

[45] Date of Patent: **** Nov. 1, 1994**

[54] **DOOR LOCK**

[76] Inventor: **Navarsky Victor**, 10-9,
Yamamoto-dori 3-chome, Chuo-ku,
Kobe-shi, Hyogo, Japan

[**] Term: **14 Years**

[21] Appl. No.: **15,208**

[22] Filed: **Nov. 12, 1993**

[52] U.S. Cl. **D8/331**

[58] Field of Search **D8/330-331,**
D8/343; 70/14, 57, 77, 91, 94, 107

[56] **References Cited**

U.S. PATENT DOCUMENTS

3,504,405	4/1970	Elliott-Smith	70/14 X
3,664,164	5/1972	Zaidener	70/14 X
4,003,227	1/1977	Casey	70/14
4,372,136	2/1983	Mickelson	70/14

FOREIGN PATENT DOCUMENTS

2106058	4/1983	United Kingdom	D8/331 X
---------	--------	----------------	----------

Primary Examiner—Brian N. Vinson

Attorney, Agent, or Firm—Wenderoth, Lind & Ponack

[57] **CLAIM**

The ornamental design for a door lock, as shown and described.

DESCRIPTION

FIG. 1 is a front elevational view of a door lock showing my new design;
 FIG. 2 is a rear elevational view thereof;
 FIG. 3 is a top plan view thereof, the bottom plan view being a mirror image;
 FIG. 4 is a left side view thereof;
 FIG. 5 is a right side view thereof;
 FIG. 6 is a sectional view taken along line A—A of FIG. 1;
 FIG. 7 is an enlarged horizontal cross-sectional view thereof, taken along line A—A of FIG. 1;
 FIG. 8 is an enlarged horizontal cross-sectional view thereof, taken within line B—B of FIG. 7;
 FIG. 9 is a top, front, and left side perspective view thereof; and,
 FIG. 10 is a reduced top, front, and left side perspective view thereof, the broken line disclosure of a container being for illustrative purposes only and forming no part of the claimed design.

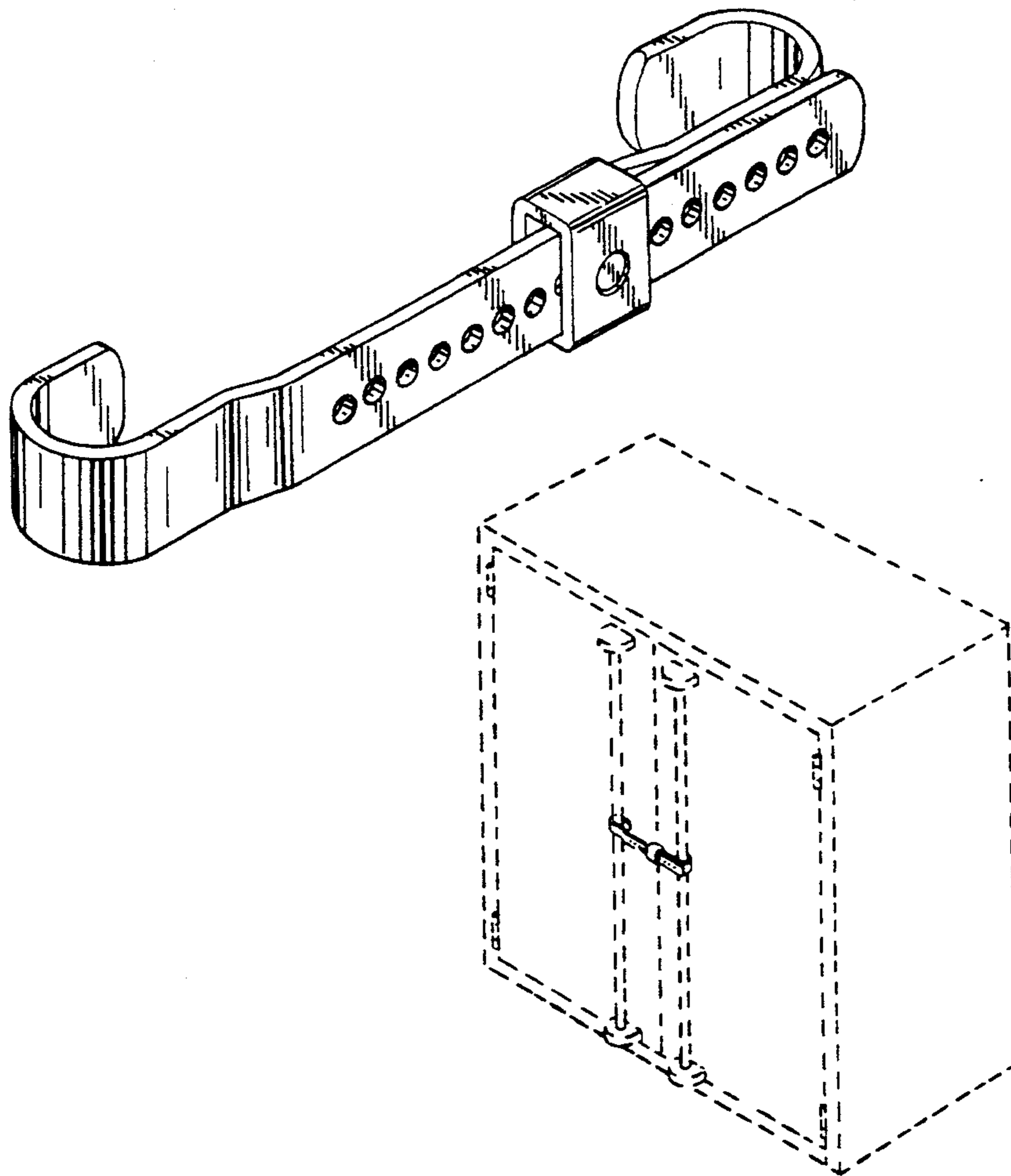


FIG. 1

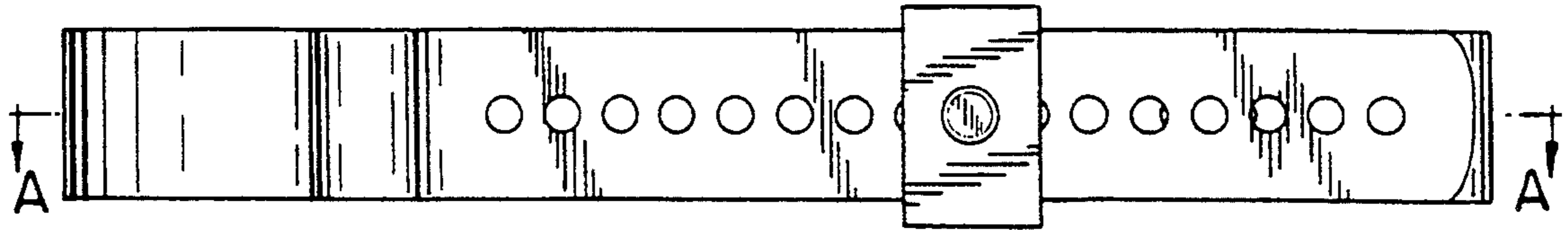


FIG. 2

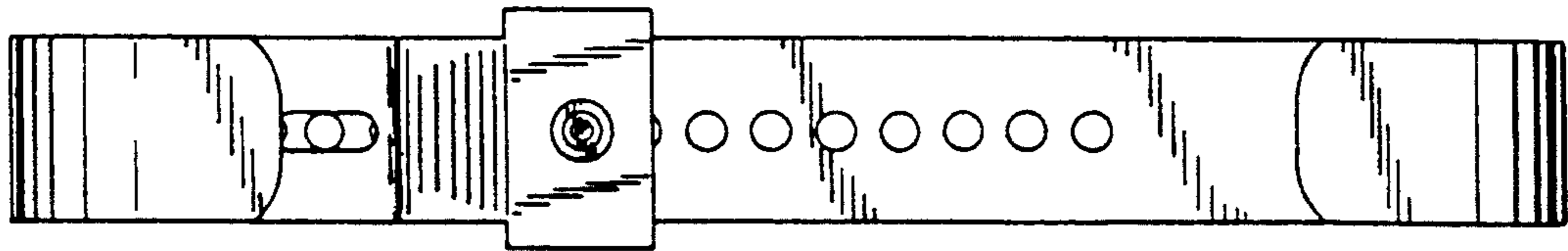


FIG. 3

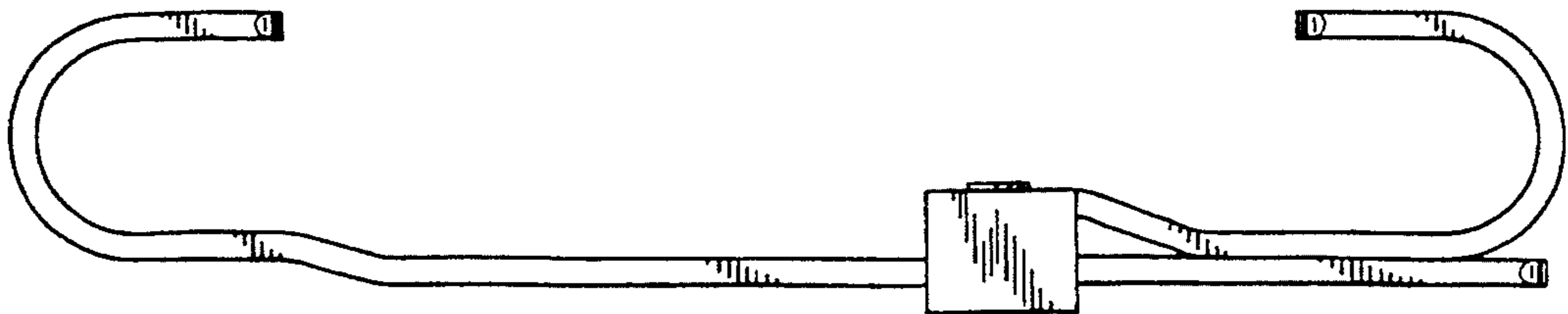


FIG. 4

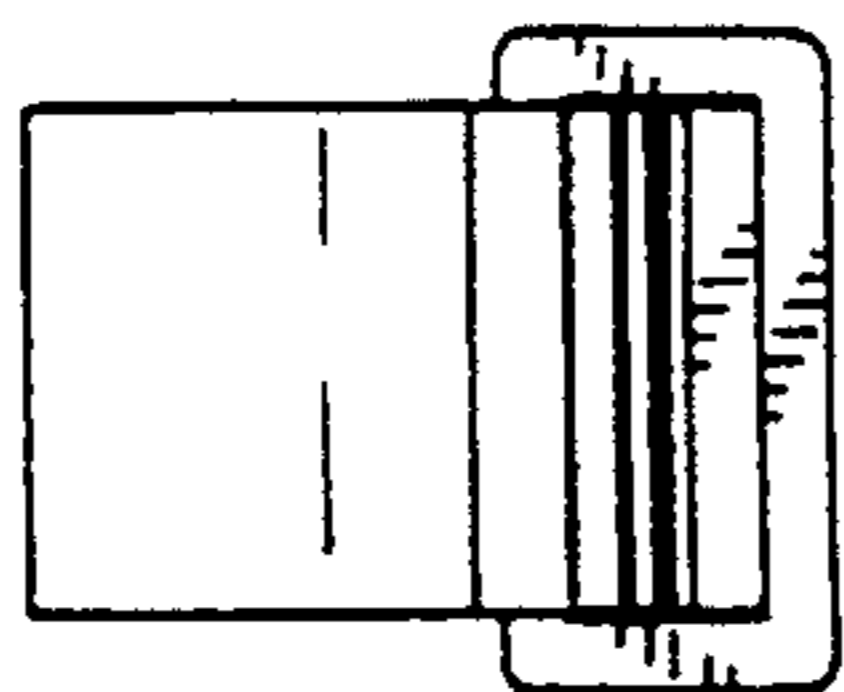


FIG. 5

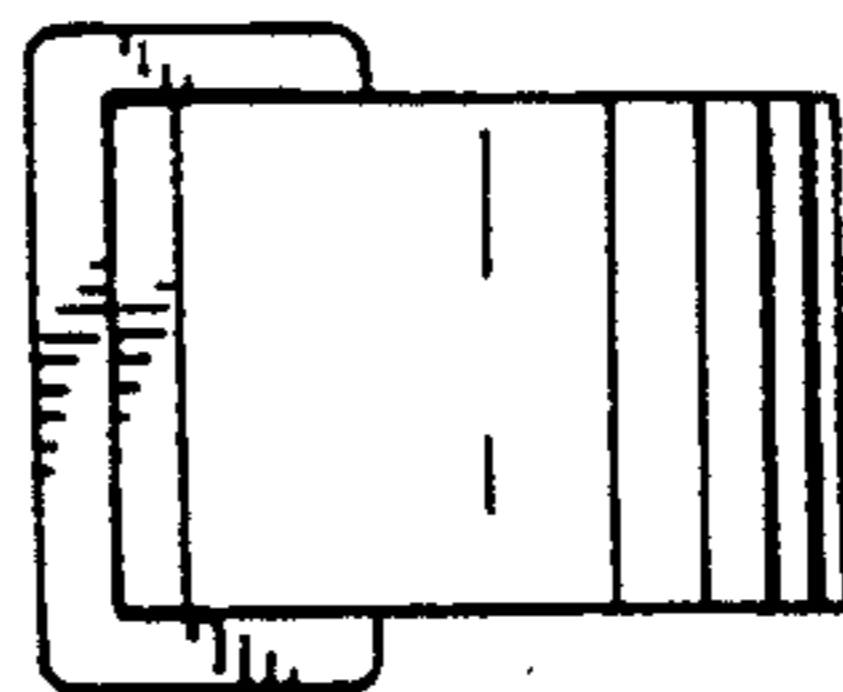


FIG. 6

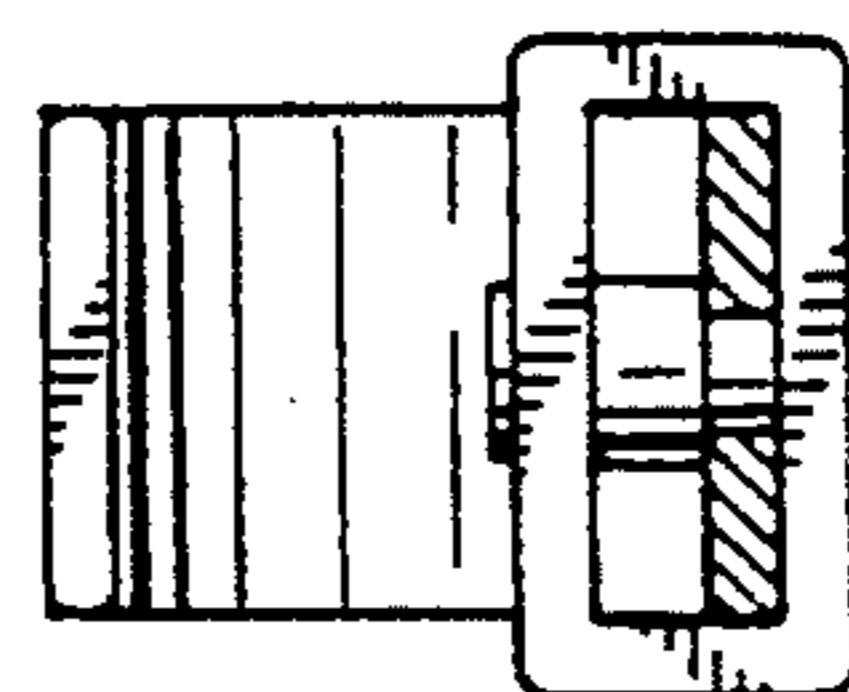


FIG. 7

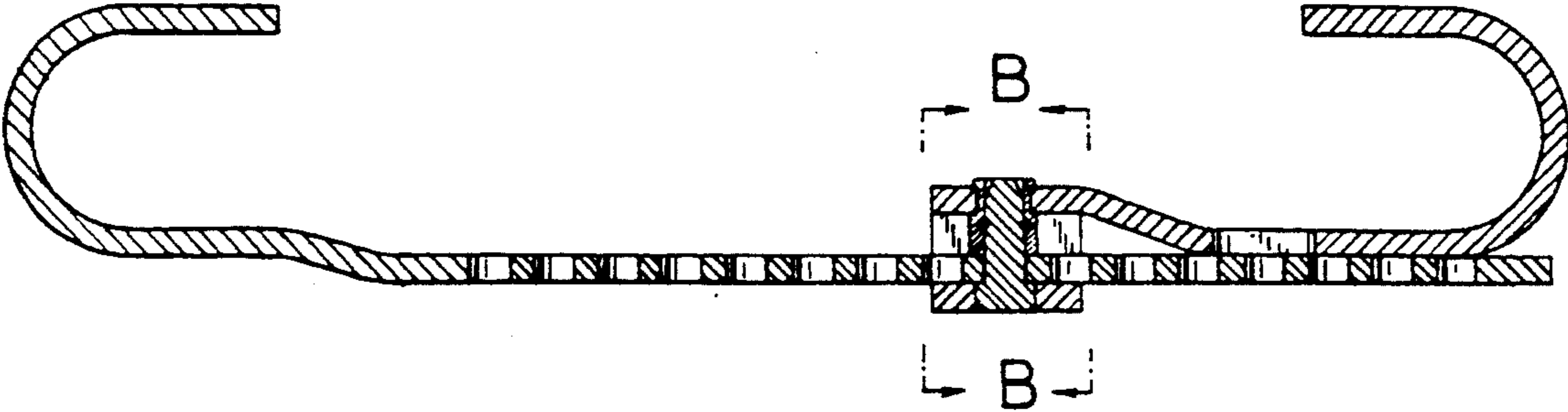


FIG. 8

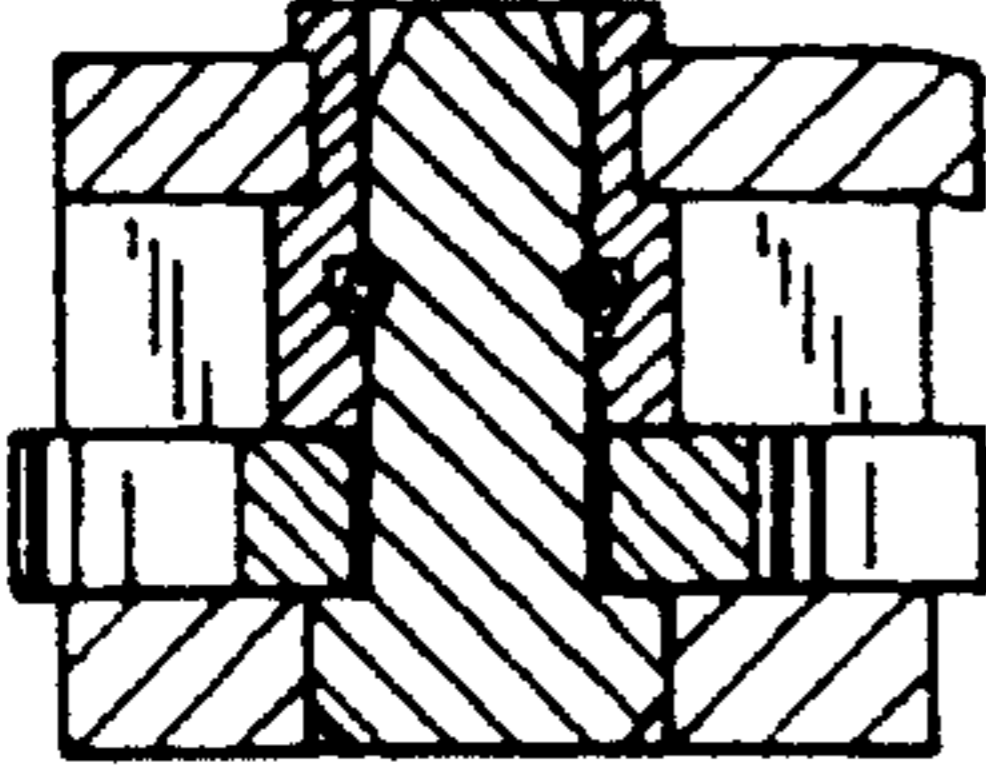


FIG. 9

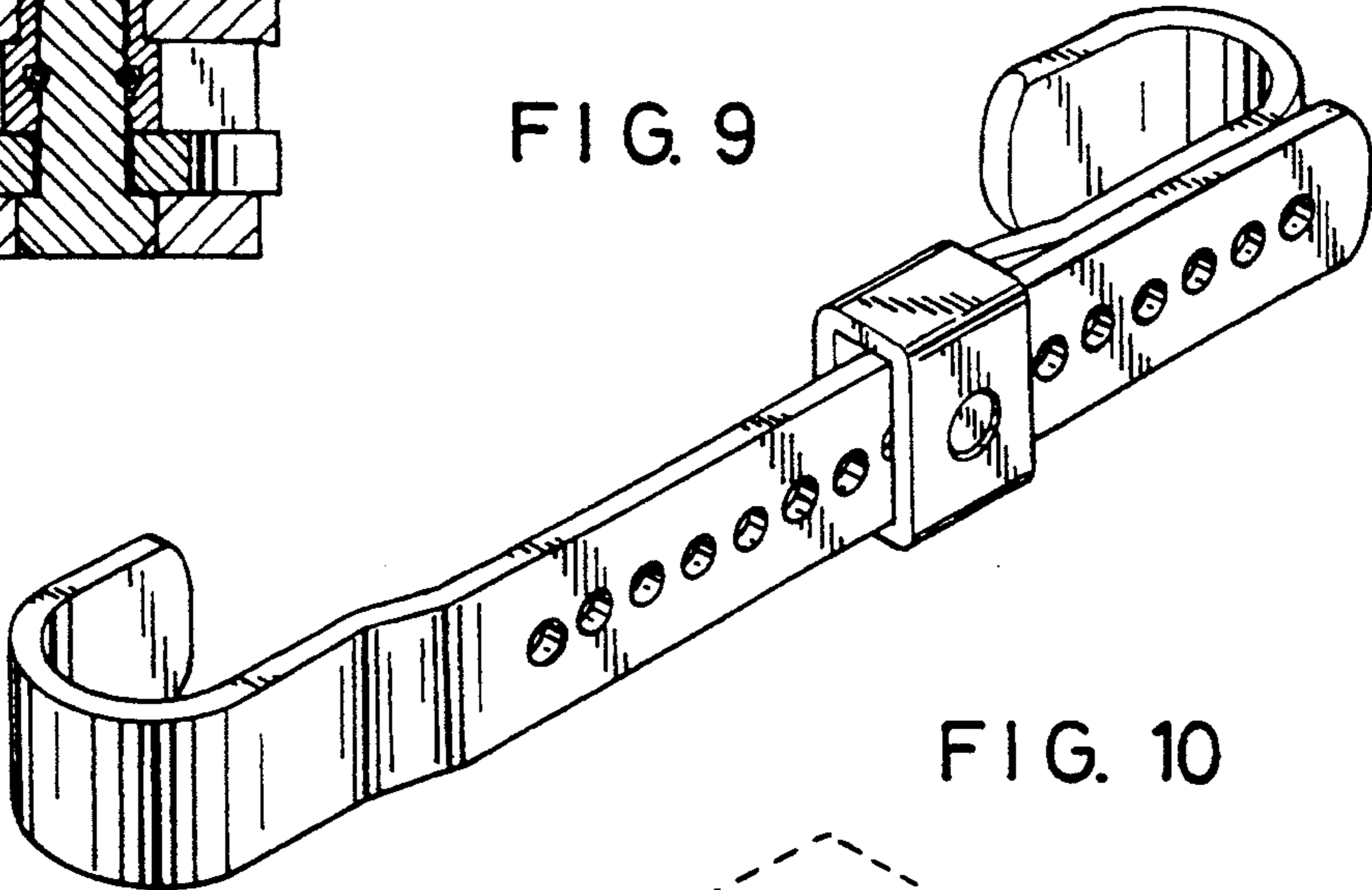


FIG. 10

