



US00D351982S

United States Patent [19]

[11] Patent Number: **Des. 351,982**

Chen

[45] Date of Patent: **** Nov. 1, 1994**

[54] **DIGITAL OR KEY CARD OPERATED ELECTRONIC DOOR LOCK**

D. 313,159	12/1990	Kautt	D8/331 X
3,187,528	6/1965	Check	70/288
4,671,086	6/1987	Fogleman et al.	70/277
4,972,691	11/1990	Knight	70/213

[76] Inventor: **Tsun-Hsing Chen**, Suite 1, 11F, 95-8 Chang Ping Road Sec. 1, Taichung, Taiwan.

Primary Examiner—Brian N. Vinson

[**] Term: **14 Years**

[57] **CLAIM**

[21] Appl. No.: **11,494**

The ornamental design for digital or key card operated electronic door lock, as shown.

[22] Filed: **Aug. 6, 1993**

[52] U.S. Cl. **D8/330**

[58] Field of Search **D8/330-331, D8/336, 338, 300, 307-308; 70/89, 91, 101, 207, 209, 213-214, 266, 275, 277, 284, 288, 336**

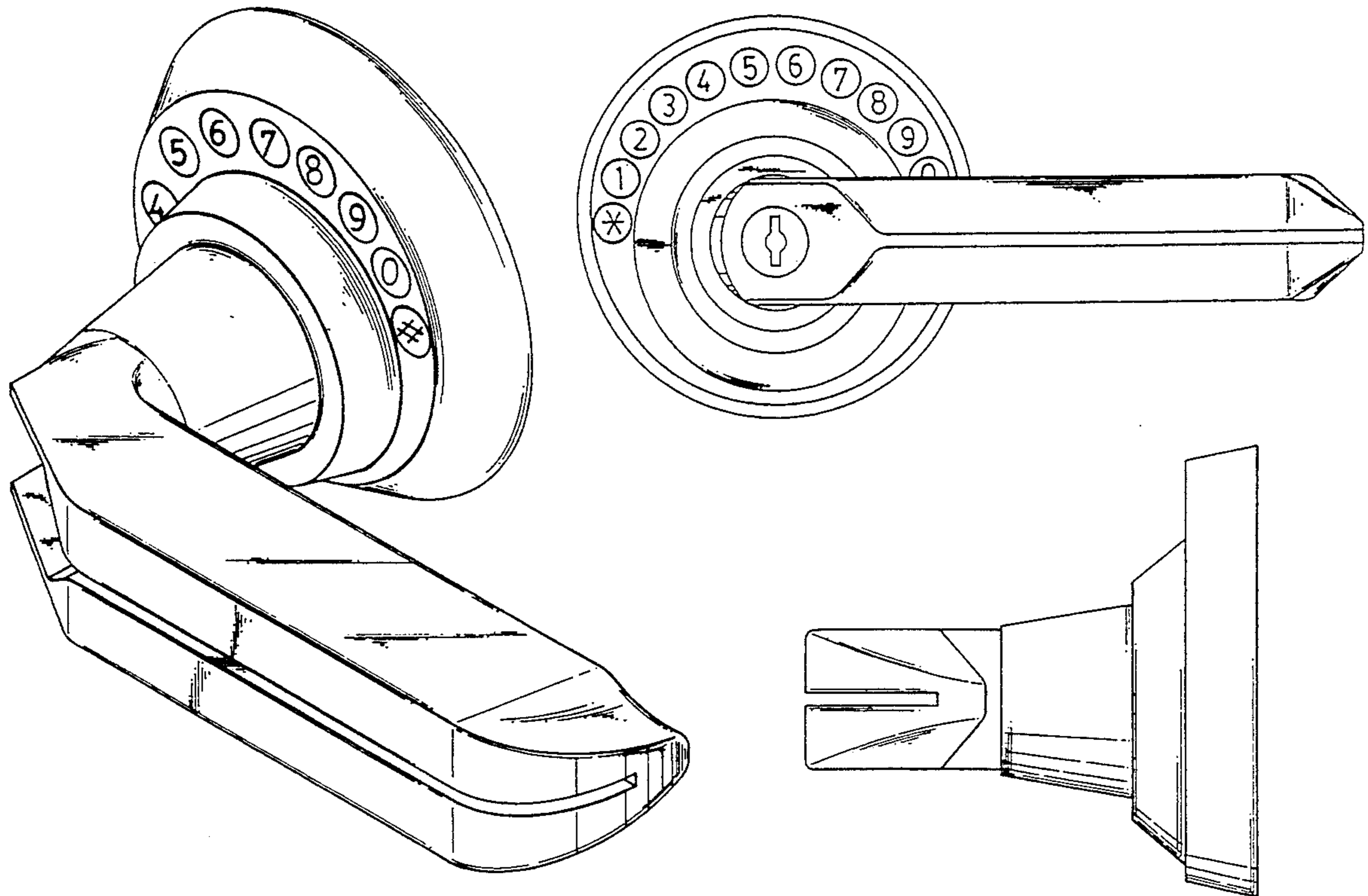
DESCRIPTION

FIG. 1 is a top, front, and right side perspective view of a digital or key card operated electronic door lock showing my new design;
 FIG. 2 is a front elevational view thereof;
 FIG. 3 is a right side elevational view thereof;
 FIG. 4 is a left side elevational view thereof;
 FIG. 5 is a top plan view thereof;
 FIG. 6 is a bottom plan view thereof; and,
 FIG. 7 is a rear elevational view thereof.

[56] References Cited

U.S. PATENT DOCUMENTS

D. 290,442	6/1987	Floyd et al.	D8/330
D. 305,861	2/1990	Kautt	D8/330
D. 312,957	12/1990	Huang	D8/331 X



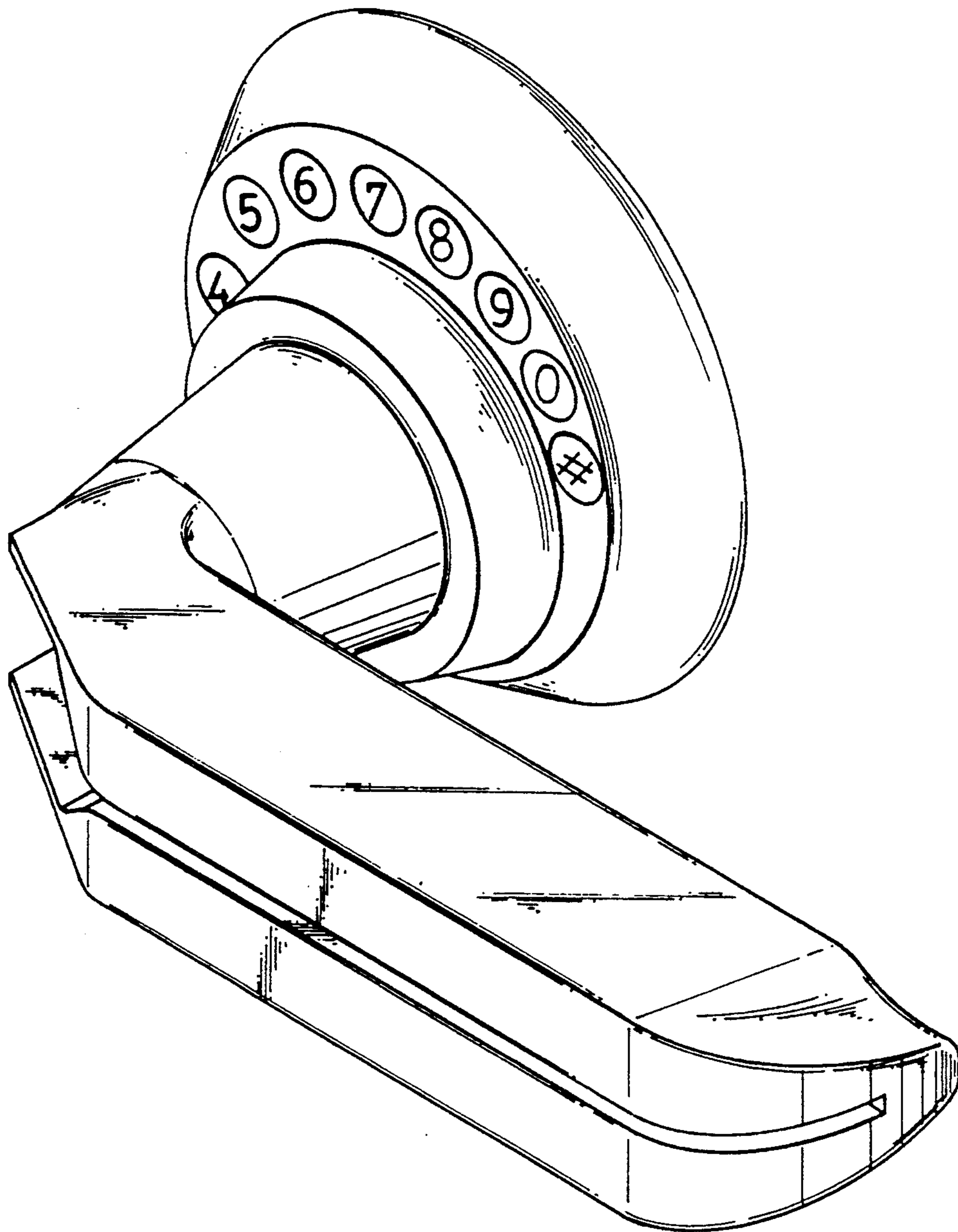


FIG. 1

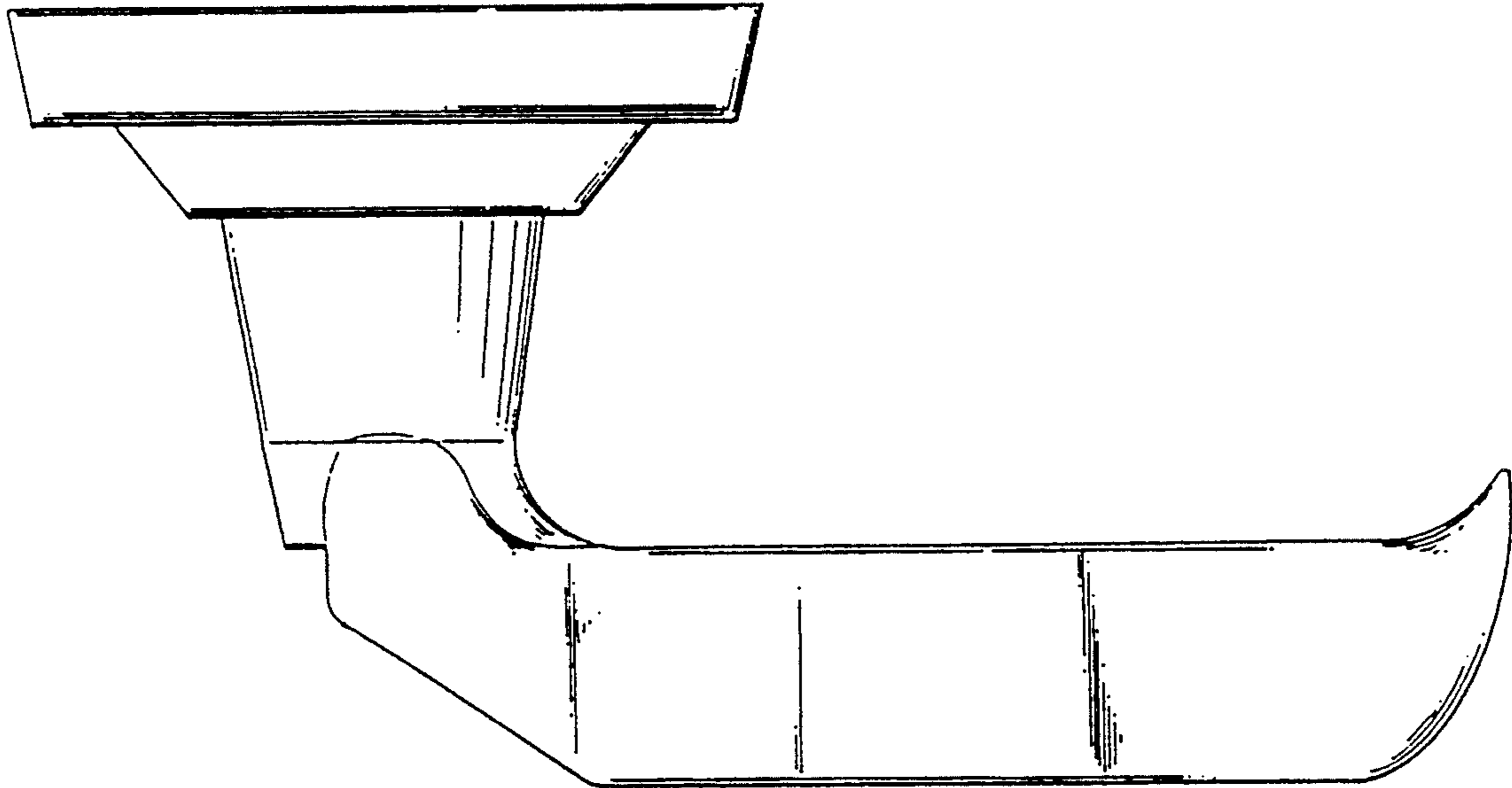


FIG. 5

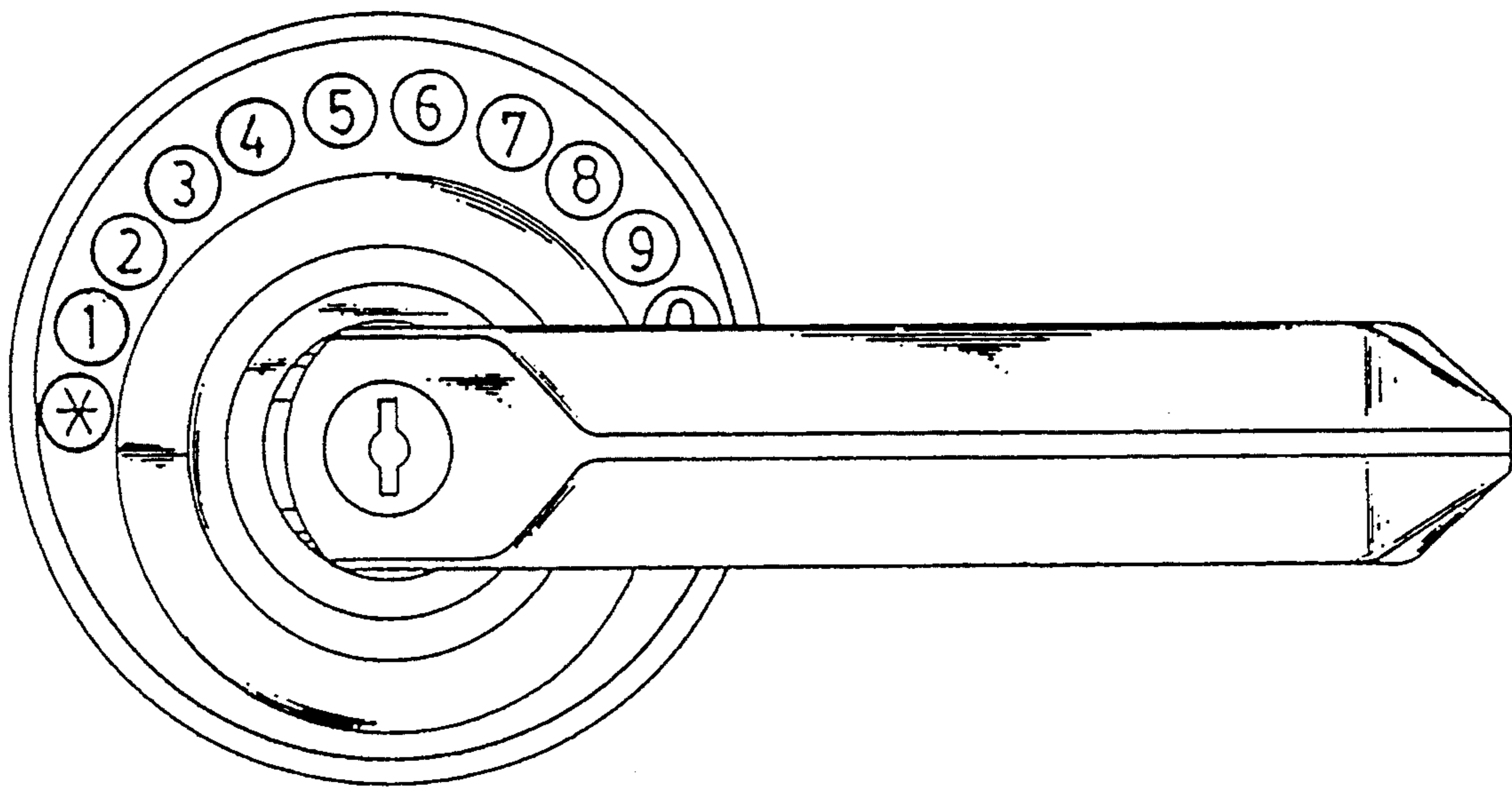


FIG. 2

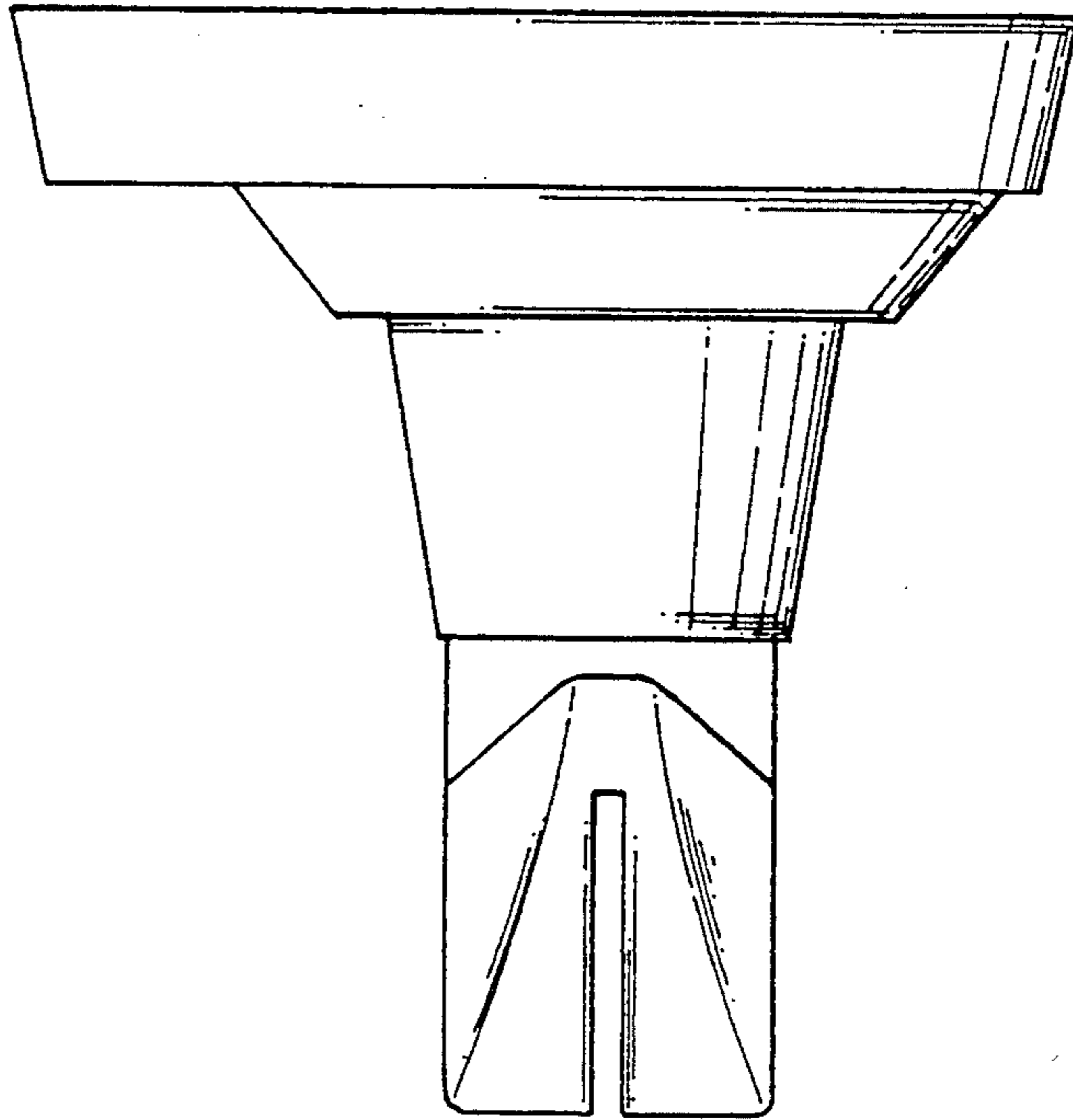


FIG. 3

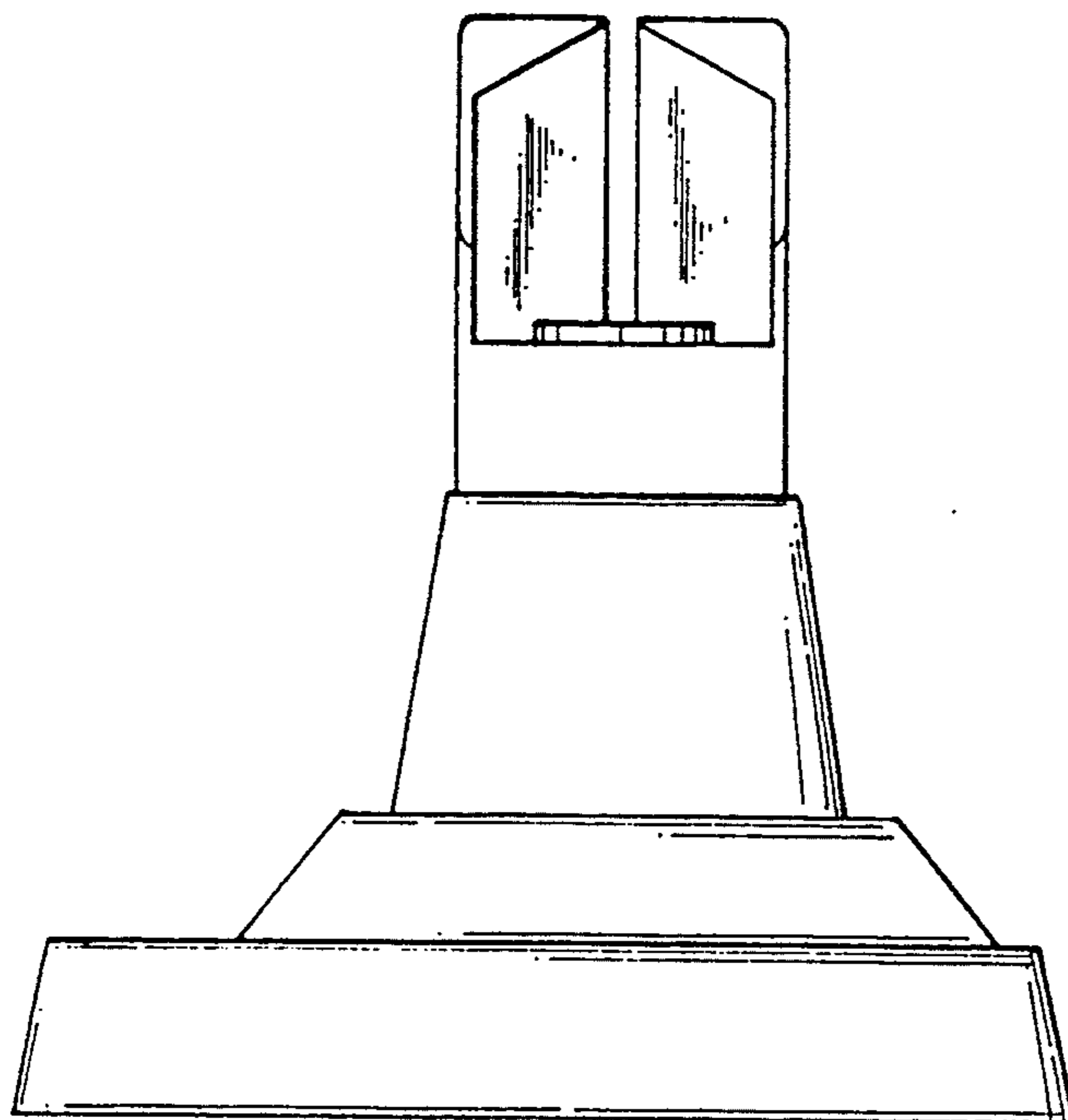


FIG. 4

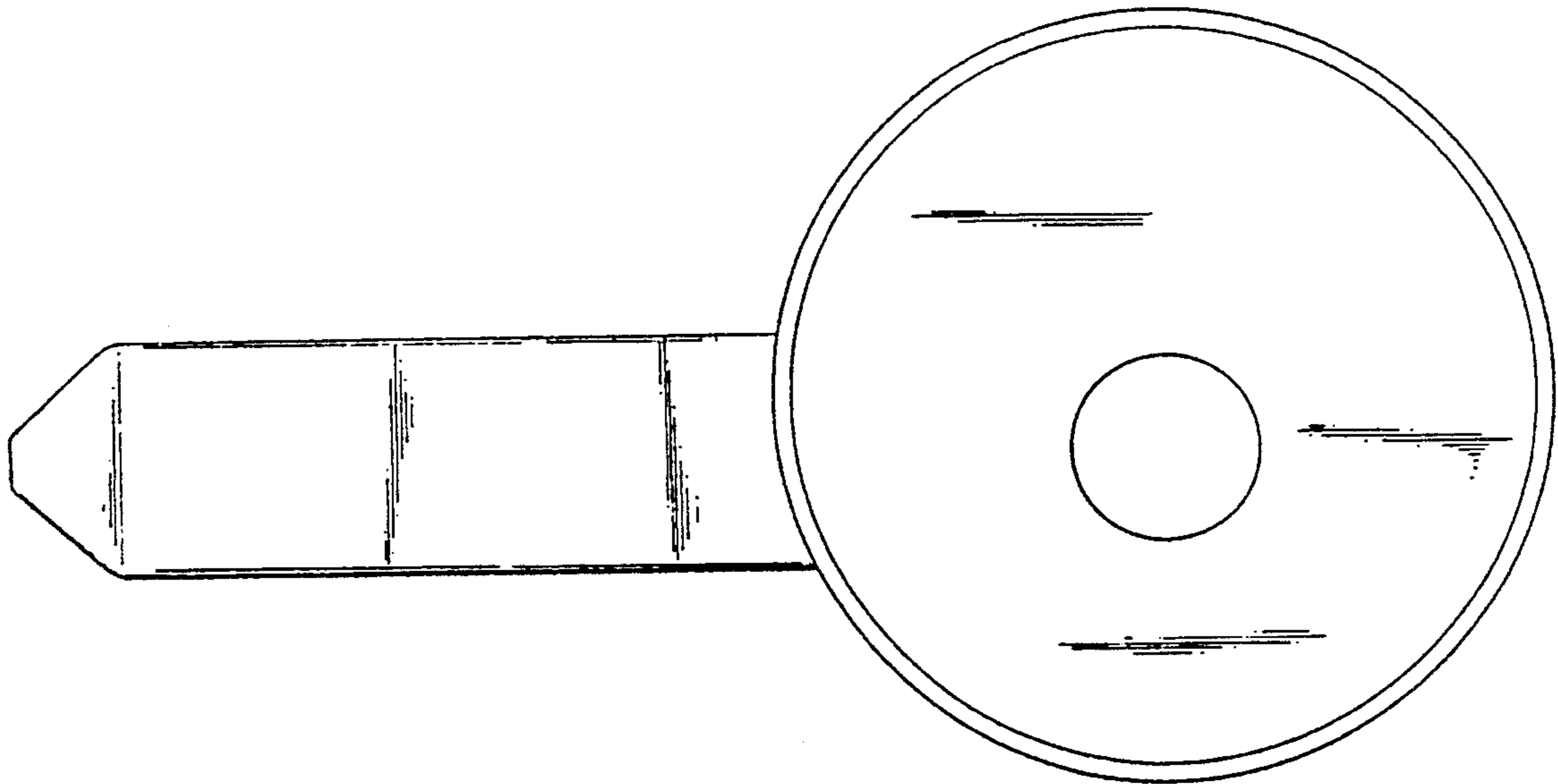


FIG. 7

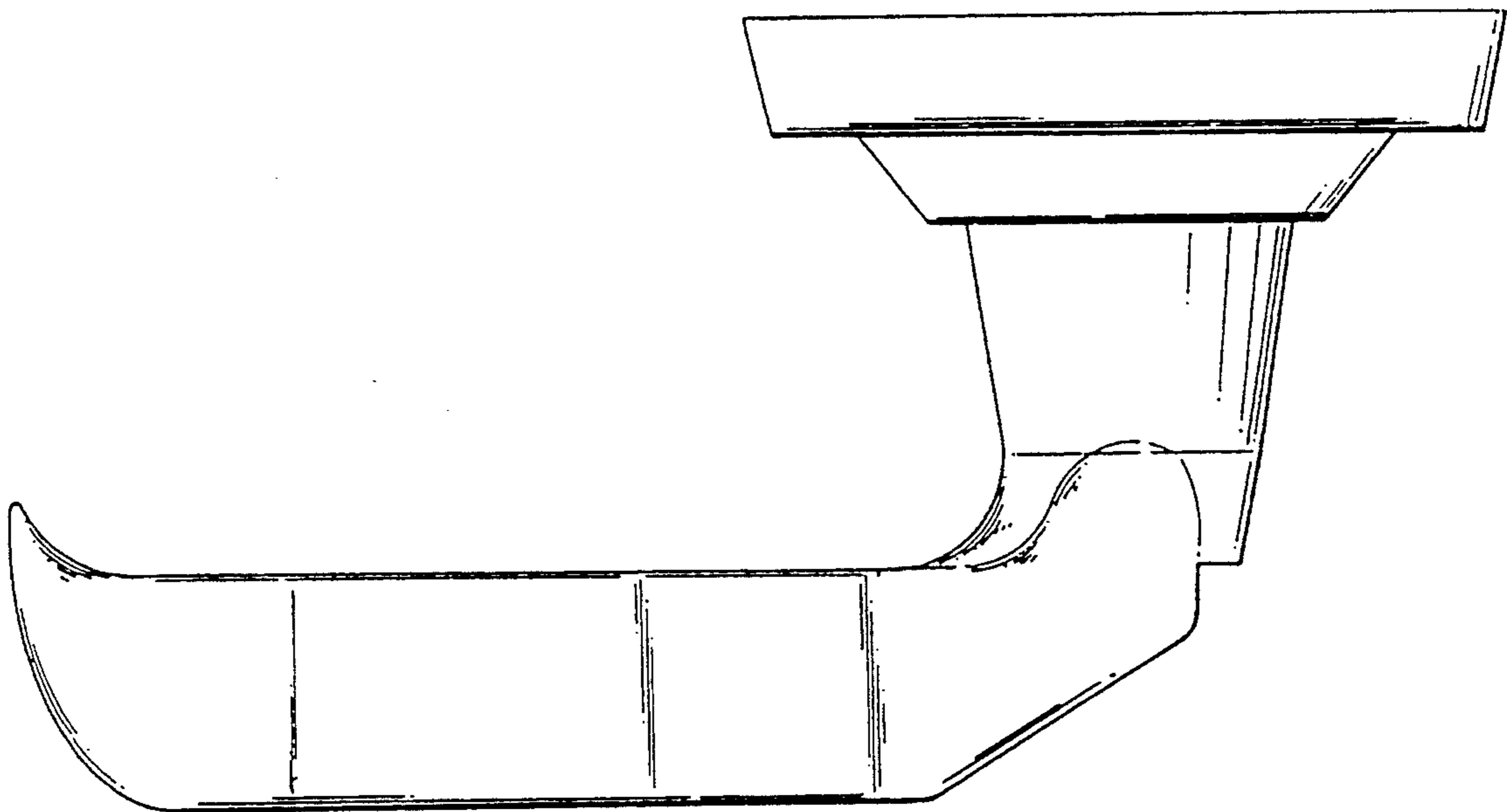


FIG. 6