



US00D351981S

United States Patent [19]

[11] Patent Number: **Des. 351,981**

Susani et al.

[45] Date of Patent: **** Nov. 1, 1994**

[54] DOOR HANDLE UNIT

[75] Inventors: **Marco L. Susani**, Cusano; **Marco Zanini**, Mezzocorona, both of Italy

[73] Assignee: **Fusital S.P.A.**, Asso, Italy

[**] Term: **14 Years**

[21] Appl. No.: **575**

[22] Filed: **Oct. 16, 1992**

[52] U.S. Cl. **D8/302; D8/320**

[58] Field of Search **D8/300, 301, 302, 315-320, D8/350, 353; 16/110 R; 292/336.3, 347, 357; 70/450, 452**

[56] References Cited

U.S. PATENT DOCUMENTS

- D. 300,113 3/1989 Halsted et al. D8/302
- D. 300,115 3/1989 Halsted et al. D8/302

OTHER PUBLICATIONS

Baldwin Hardware Corp. Cat., p. h-14; Tremont handle set.

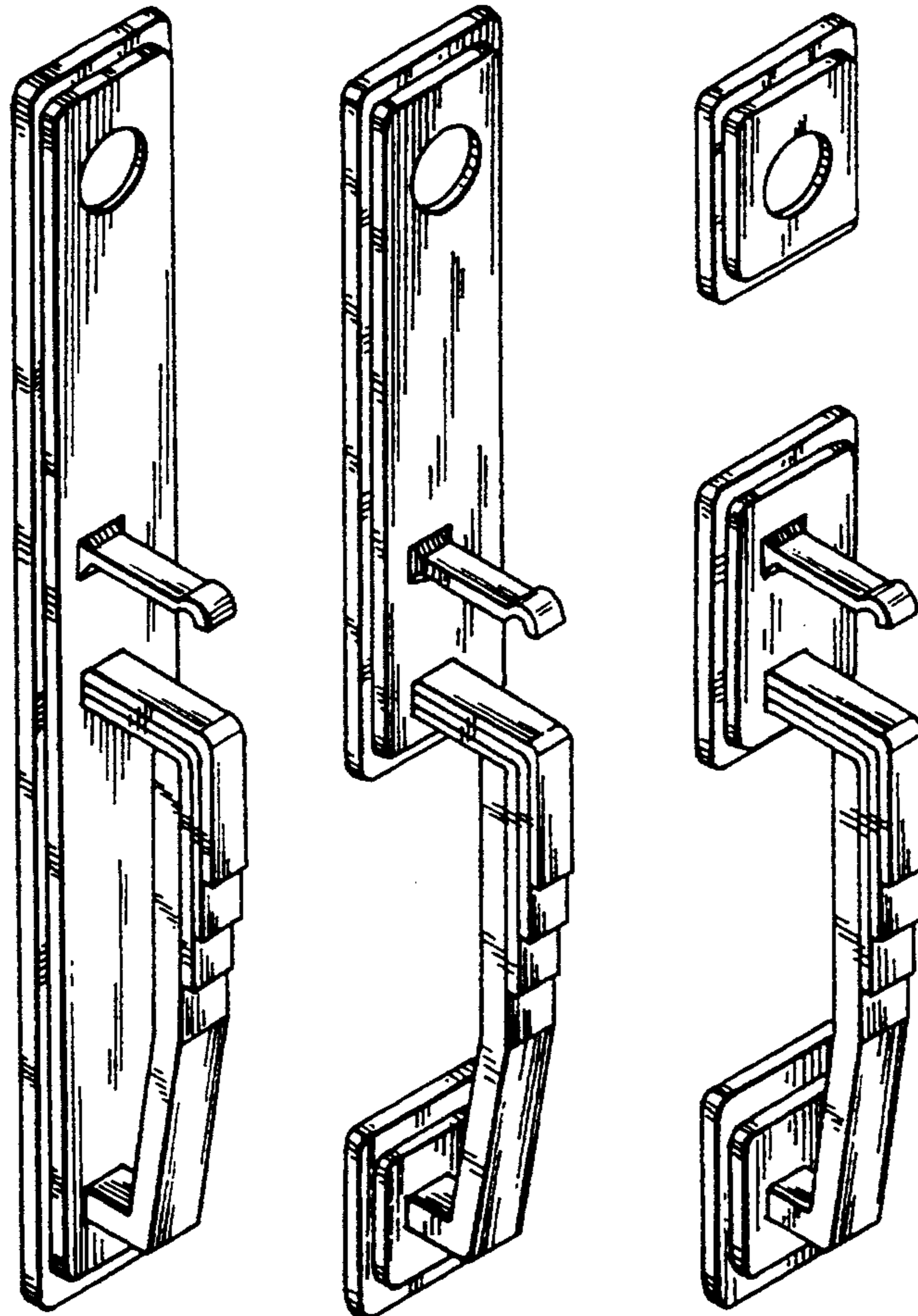
Primary Examiner—B. J. Bullock
Attorney, Agent, or Firm—Lewis Anten

[57] CLAIM

The ornamental design for a door handle unit, as shown and described.

DESCRIPTION

FIG. 1 is a left perspective view of the door handle unit showing my new design;
 FIG. 2 is a front view thereof;
 FIG. 3 is a rear view thereof;
 FIG. 4 is a left side view thereof, the right side being a mirror image;
 FIG. 5 is a bottom view thereof;
 FIG. 6 is a top view thereof;
 FIG. 7 is a left perspective view of a second embodiment of the design of FIG. 1, the only differences being the placement and the size of the back plates; and,
 FIG. 8 is a left perspective view of a third embodiment of the design of FIG. 1, the only differences being the placement and size of the back plates.



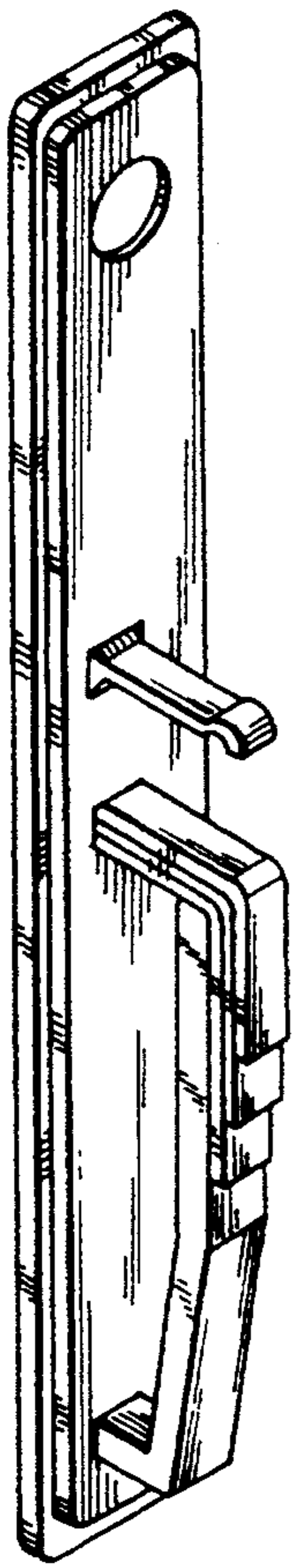


FIG. 1

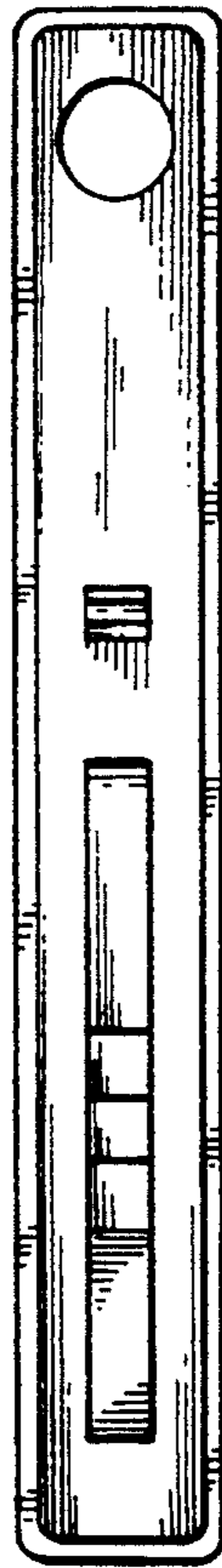


FIG. 2



FIG. 3

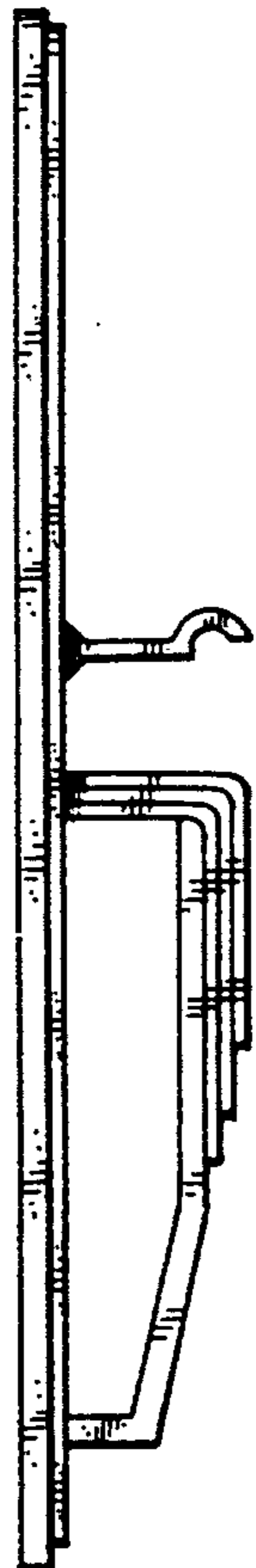


FIG. 4

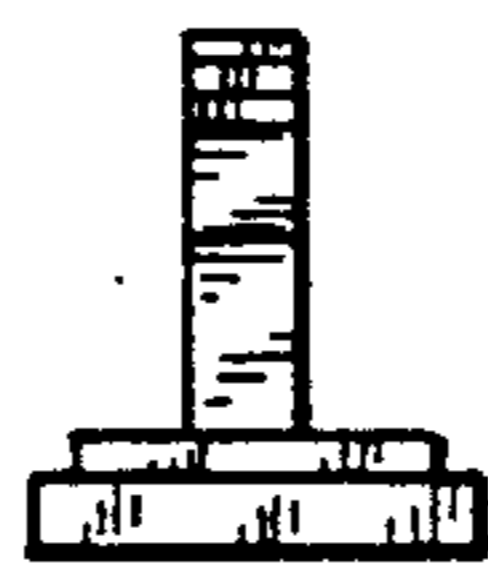


FIG. 5

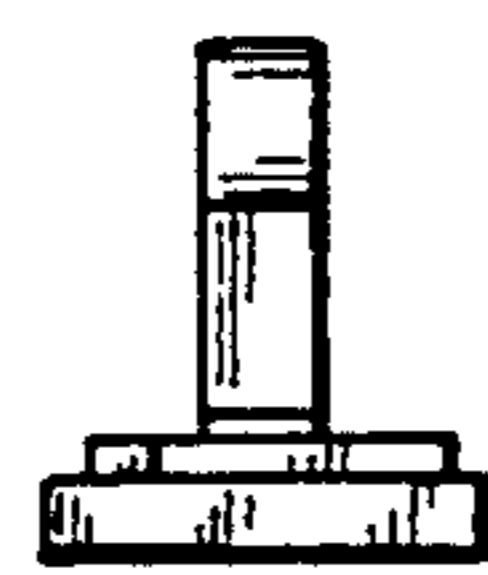


FIG. 6

FIG. 7

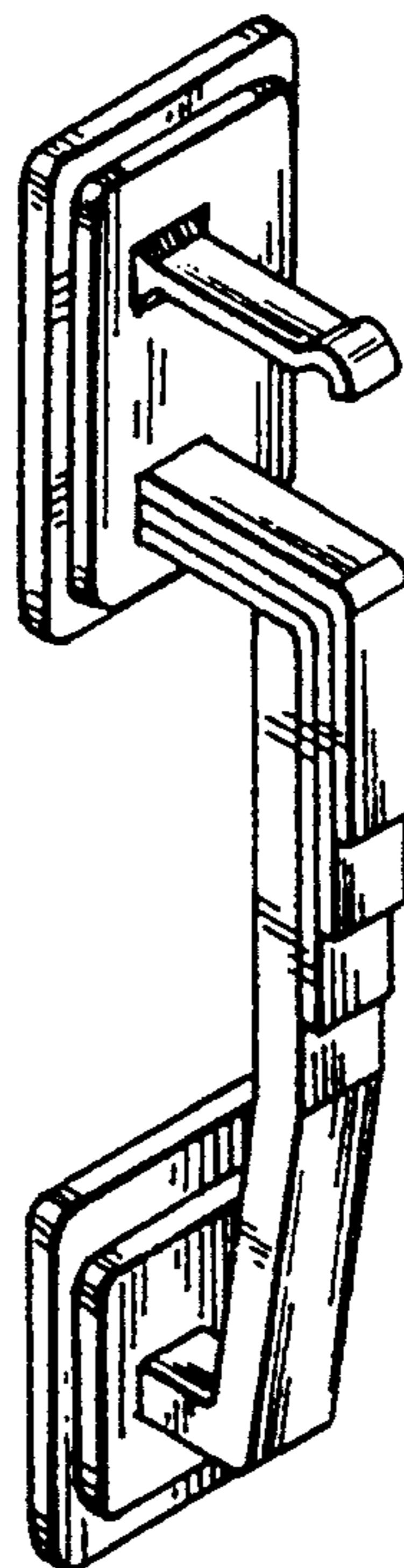
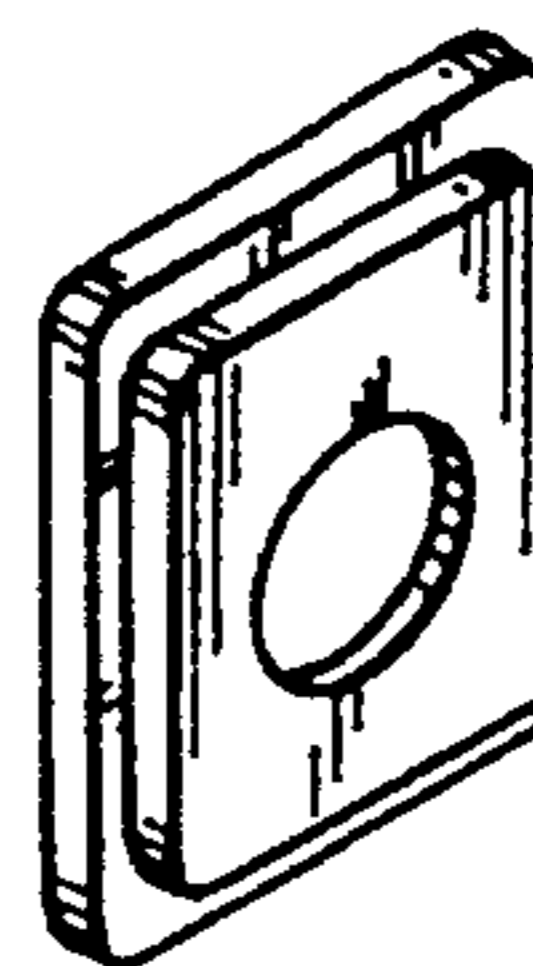
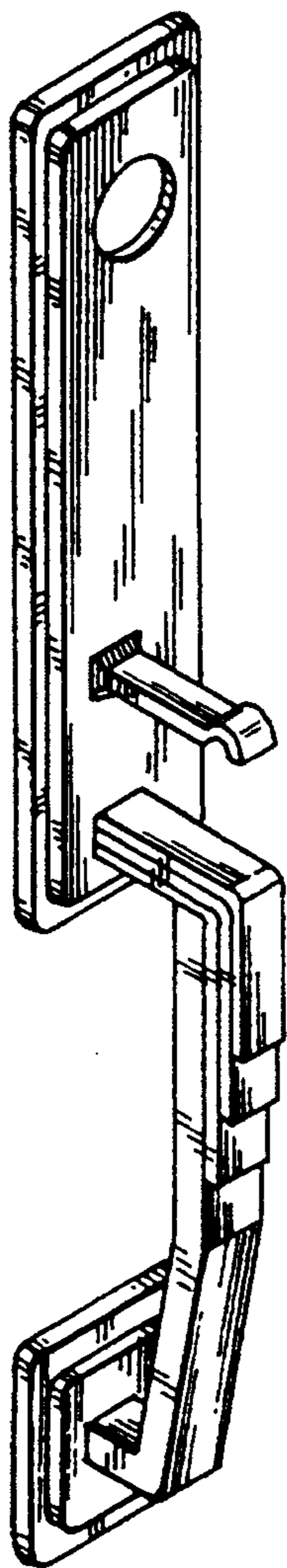


FIG. 8