



US00D351978S

United States Patent [19]

[11] Patent Number: **Des. 351,978**

Tanzer

[45] Date of Patent: **** Nov. 1, 1994**

[54] UNIVERSAL CARBURETOR REPAIR STAND

[76] Inventor: **Andrew E. Tanzer, 320 Lions Head Dr., Monument, Colo. 80132**

[**] Term: **14 Years**

[21] Appl. No.: **943,451**

[22] Filed: **Sep. 10, 1992**

[52] U.S. Cl. **D8/71**

[58] Field of Search **D8/71, 72; 248/121, 248/672; 269/239, 17, 76, 50, 60; 254/282, 92, 93 H; D15/140; D34/34, 18, 17**

4,116,424	9/1978	Varga et al.	269/55
4,484,775	11/1984	Norkus	269/239
4,533,127	8/1985	Hawkins	269/17
4,909,496	3/1990	Waldecker	269/277
5,160,125	11/1992	Jenkins	269/76

Primary Examiner—Alan P. Douglas
Assistant Examiner—Jeffrey H. Musgrove
Attorney, Agent, or Firm—Lahive & Cockfield

[57] CLAIM

The ornamental design for a universal carburetor repair stand, as shown and described.

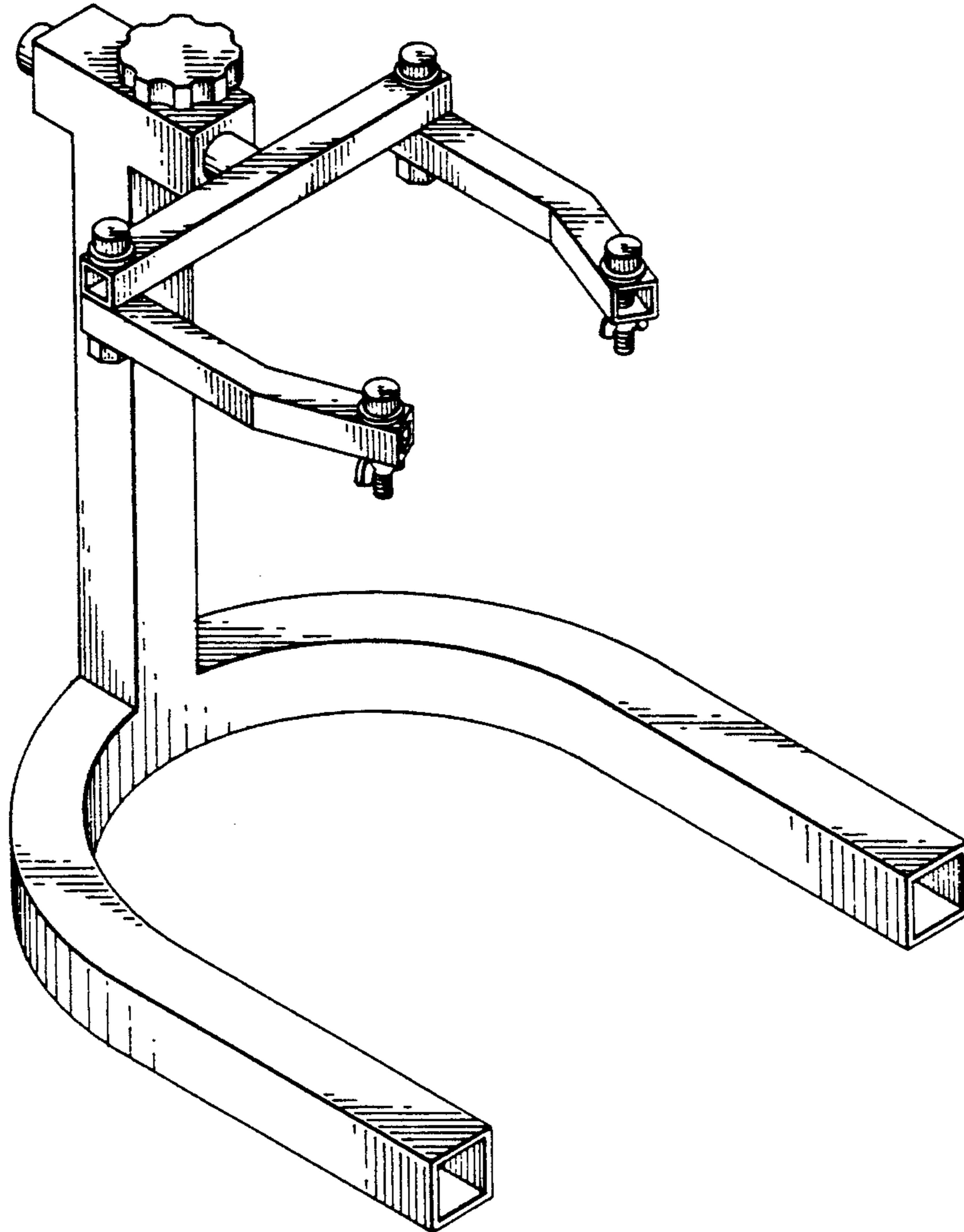
DESCRIPTION

FIG. 1 is a perspective view of my universal carburetor repair stand;
FIG. 2 is a top view of my stand;
FIG. 3 is a bottom view of my stand;
FIG. 4 is a side view of my stand, both the left and right sides being identical;
FIG. 5 is a front view of my stand; and,
FIG. 6 is a rear view of my stand.

[56] References Cited

U.S. PATENT DOCUMENTS

D. 315,162	3/1991	Geib	D15/140
D. 319,645	9/1991	Geib	D15/140
1,561,205	11/1925	Belden	248/672
2,602,615	7/1952	Maynard	248/121
2,895,729	7/1959	Sanders	248/121
3,185,416	5/1965	Osinski	248/121
4,010,942	3/1977	Ward	269/76



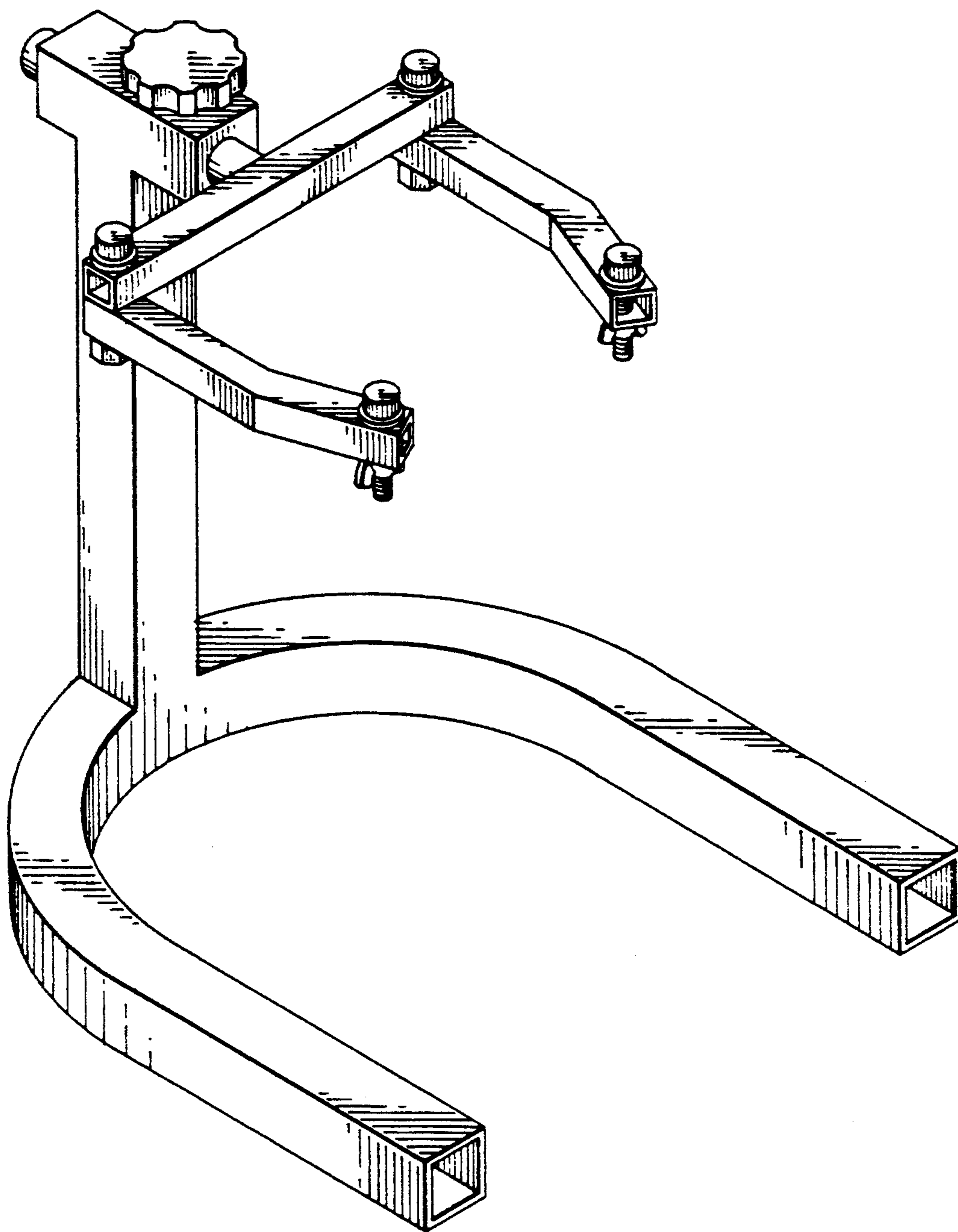


FIG. 1

FIG. 2

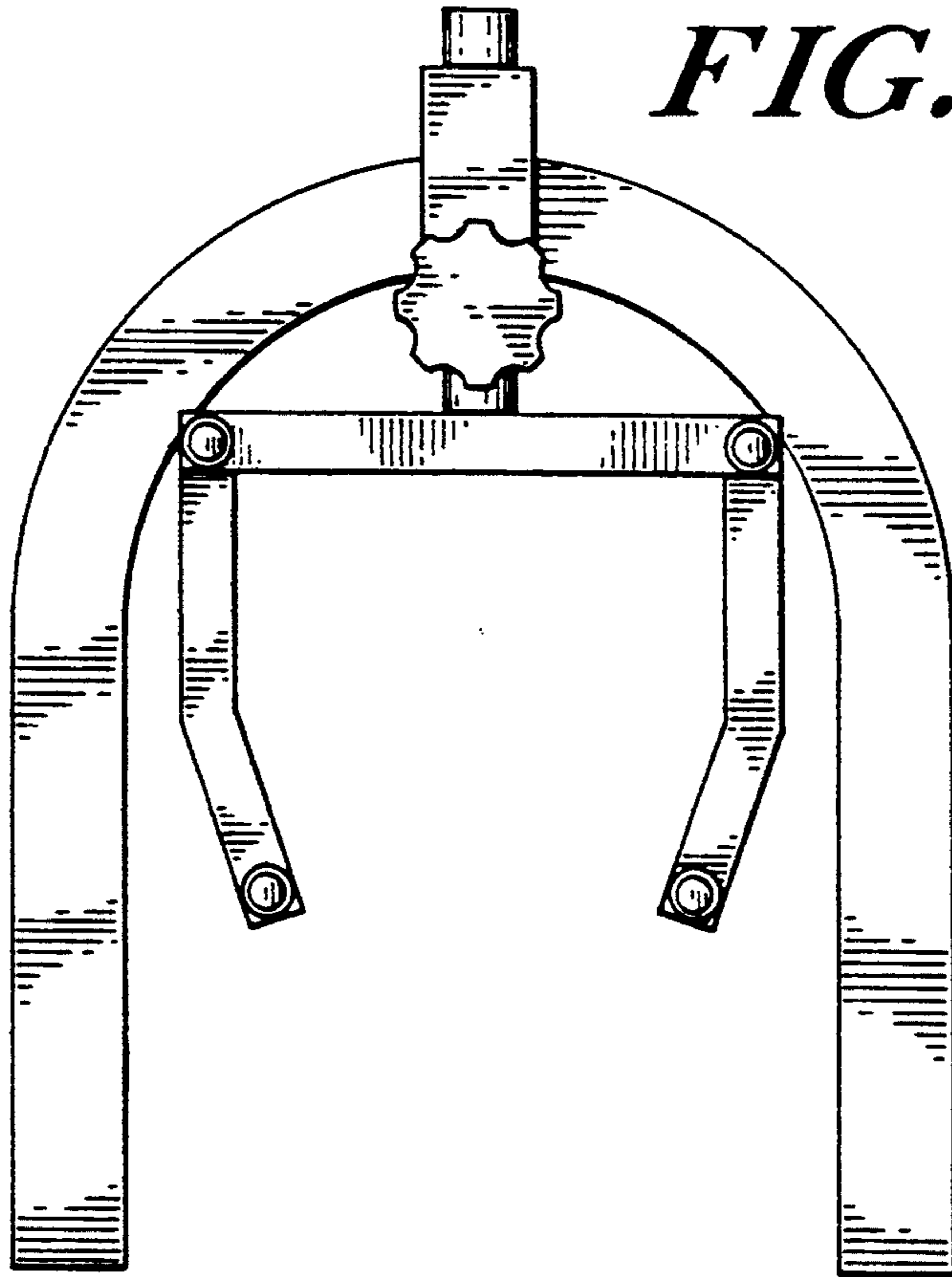
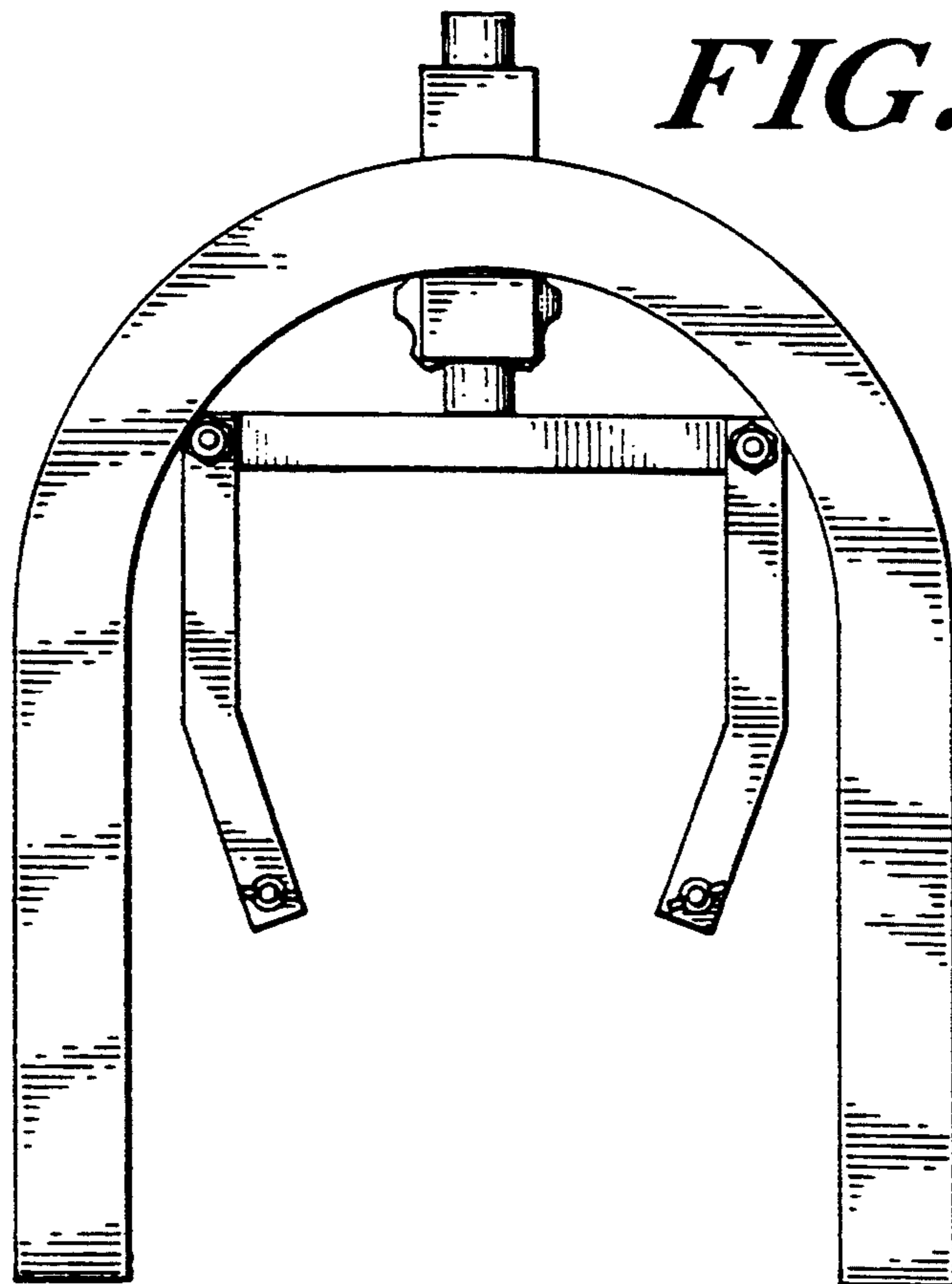


FIG. 3



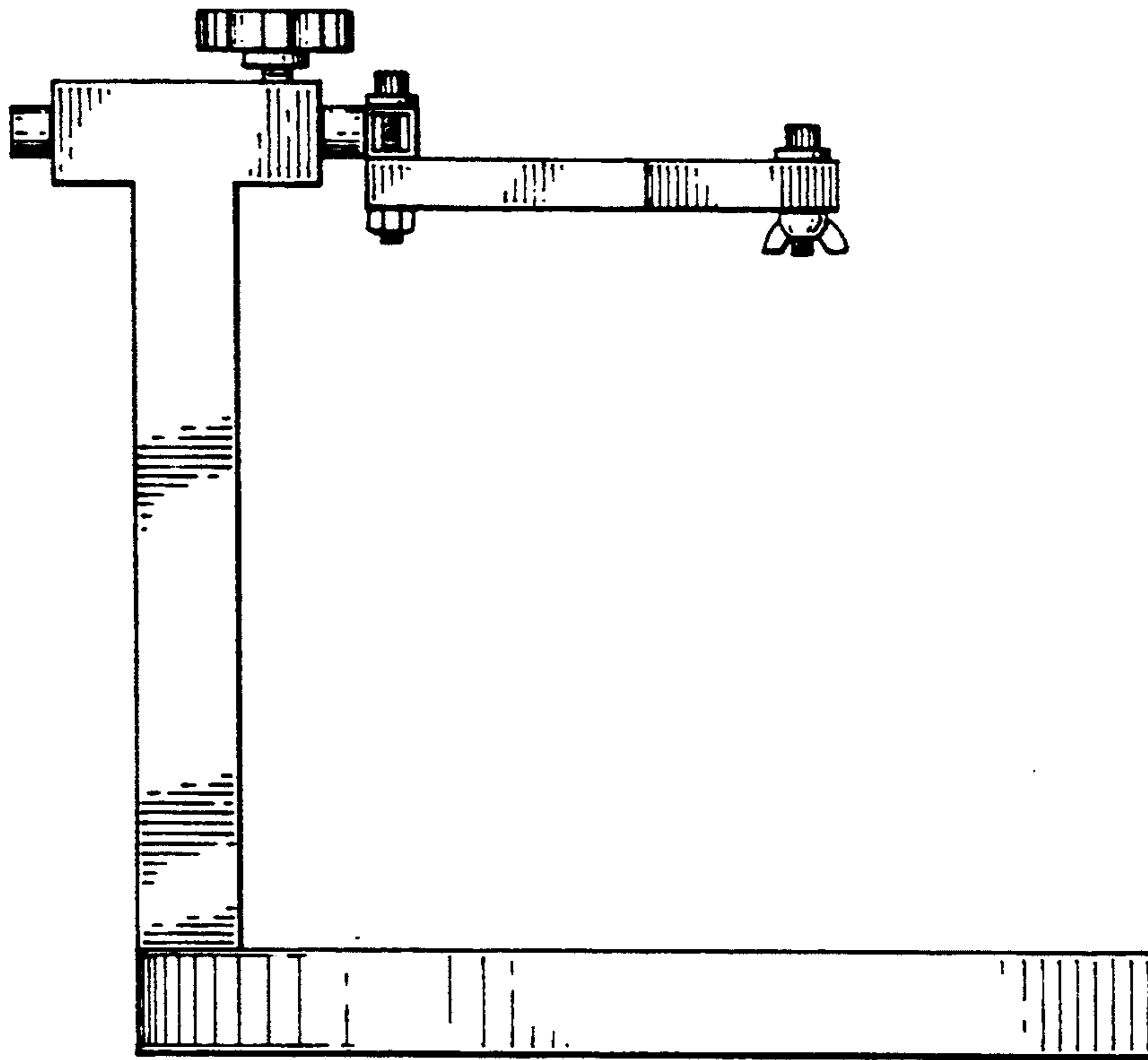


FIG. 4

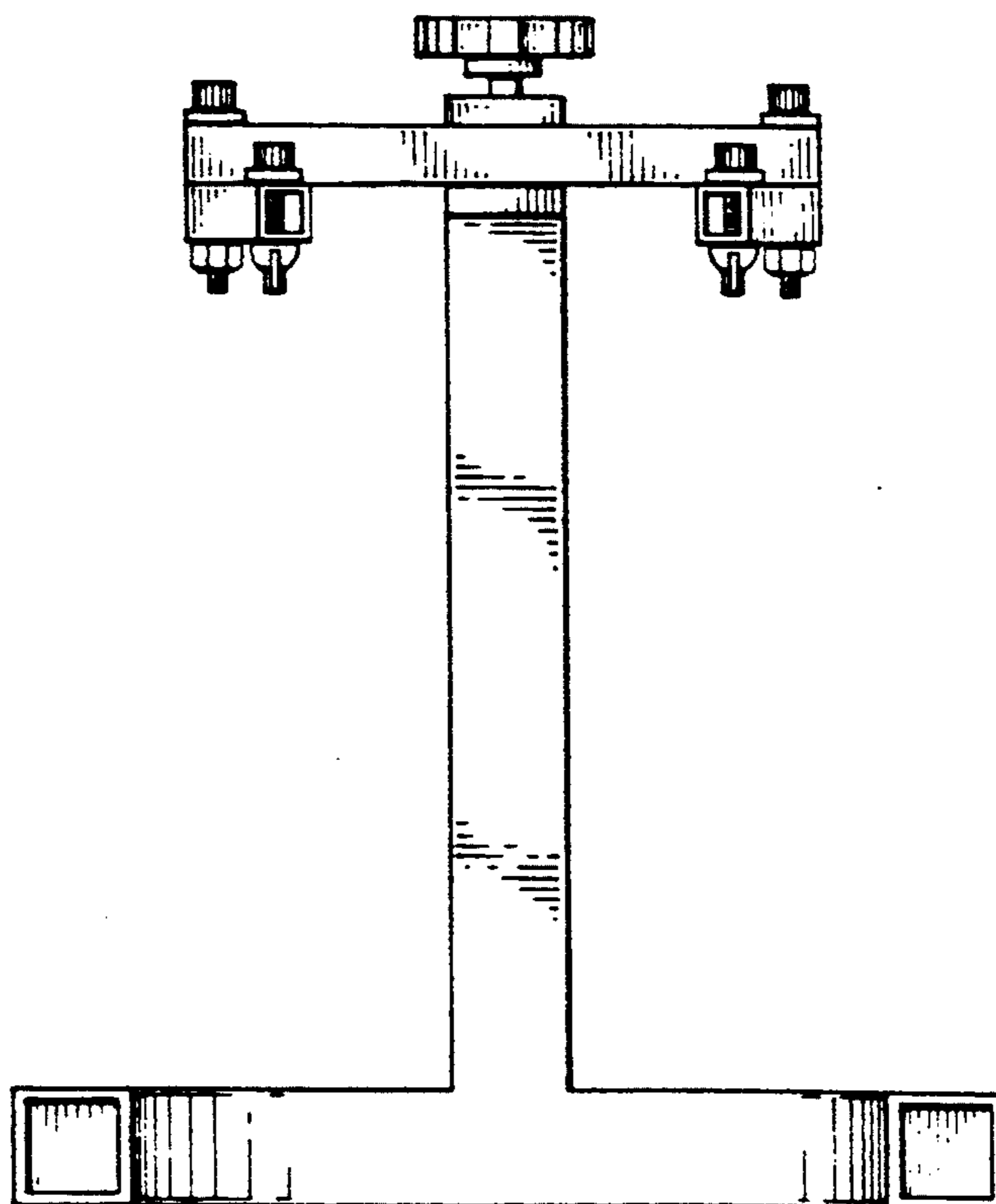


FIG. 5

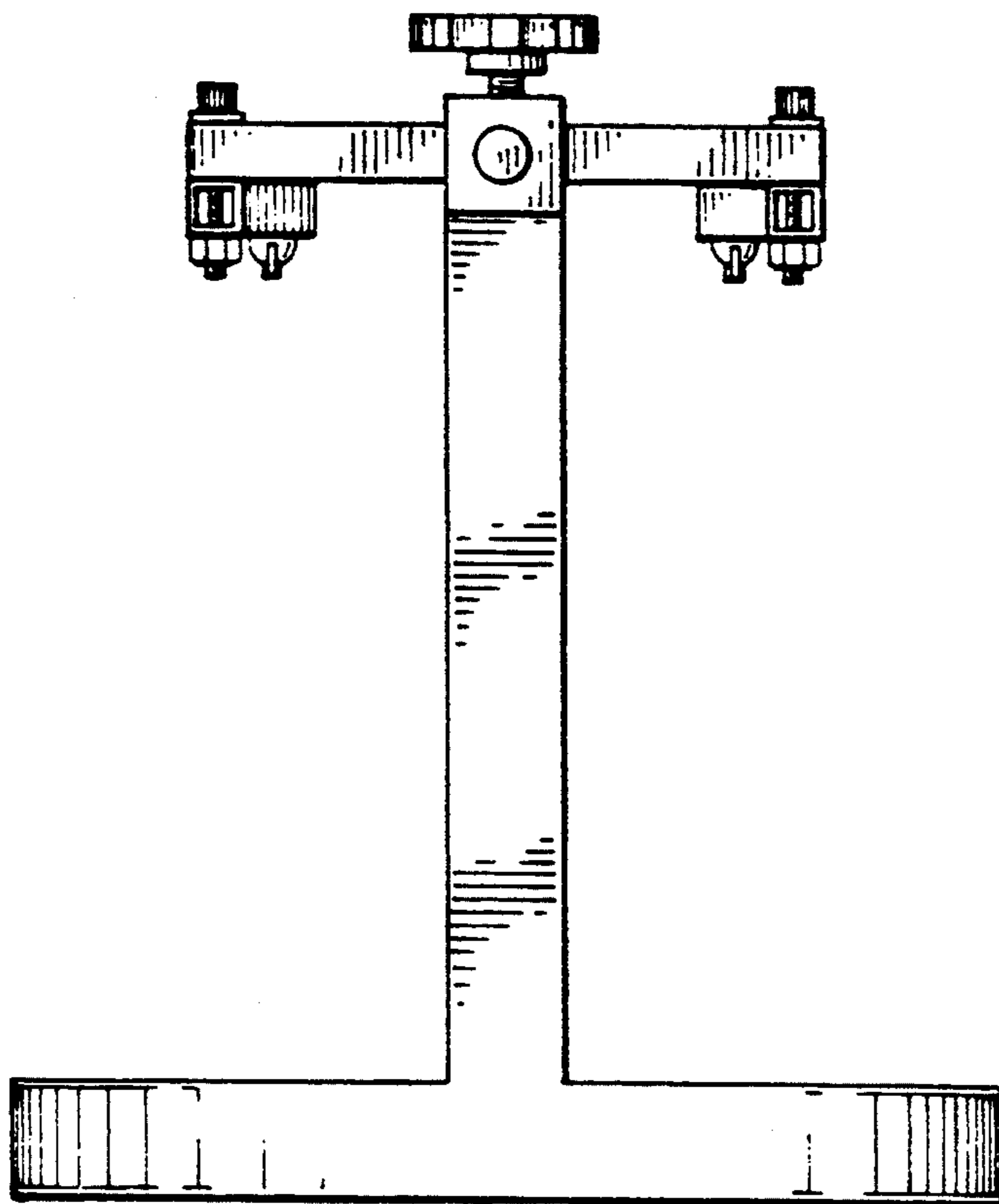


FIG. 6