



US00D351976S

# United States Patent [19]

[11] Patent Number: **Des. 351,976**

Morey et al.

[45] Date of Patent: **\*\* Nov. 1, 1994**

[54] **COMBINED PALM SANDER WITH VACUUM CONNECTION**

[75] Inventors: **Kevin R. Morey**, Laurinberg; **Hector A. Haget, Jr.**, So. Pines, both of N.C.

[73] Assignee: **Ingersoll-Rand Company**, Woodcliff Lake, N.J.

[\*\*] Term: **14 Years**

[21] Appl. No.: **8,462**

[22] Filed: **May 13, 1993**

[52] U.S. Cl. .... **D8/62**

[58] Field of Search ..... **D8/61, 62; 51/170, 170 R, 51/170 TL, 170 MT**

### [56] References Cited

#### U.S. PATENT DOCUMENTS

D. 310,007	8/1990	Saito et al. ....	D8/62
D. 324,800	3/1992	Butzen et al. ....	D8/62
D. 326,398	5/1992	Fushiya et al. ....	D8/62
D. 332,734	1/1993	Fushiya et al. ....	D8/62
D. 334,126	3/1993	Huber et al. ....	D8/62

Primary Examiner—Alan P. Douglas

Assistant Examiner—Jeffry H. Musgrove  
Attorney, Agent, or Firm—Walter C. Vliet

### [57] CLAIM

The ornamental design of a combined palm sander with vacuum connection, as shown and described.

### DESCRIPTION

FIG. 1 is a front elevation view of a combined palm sander with vacuum connection according to the present invention;

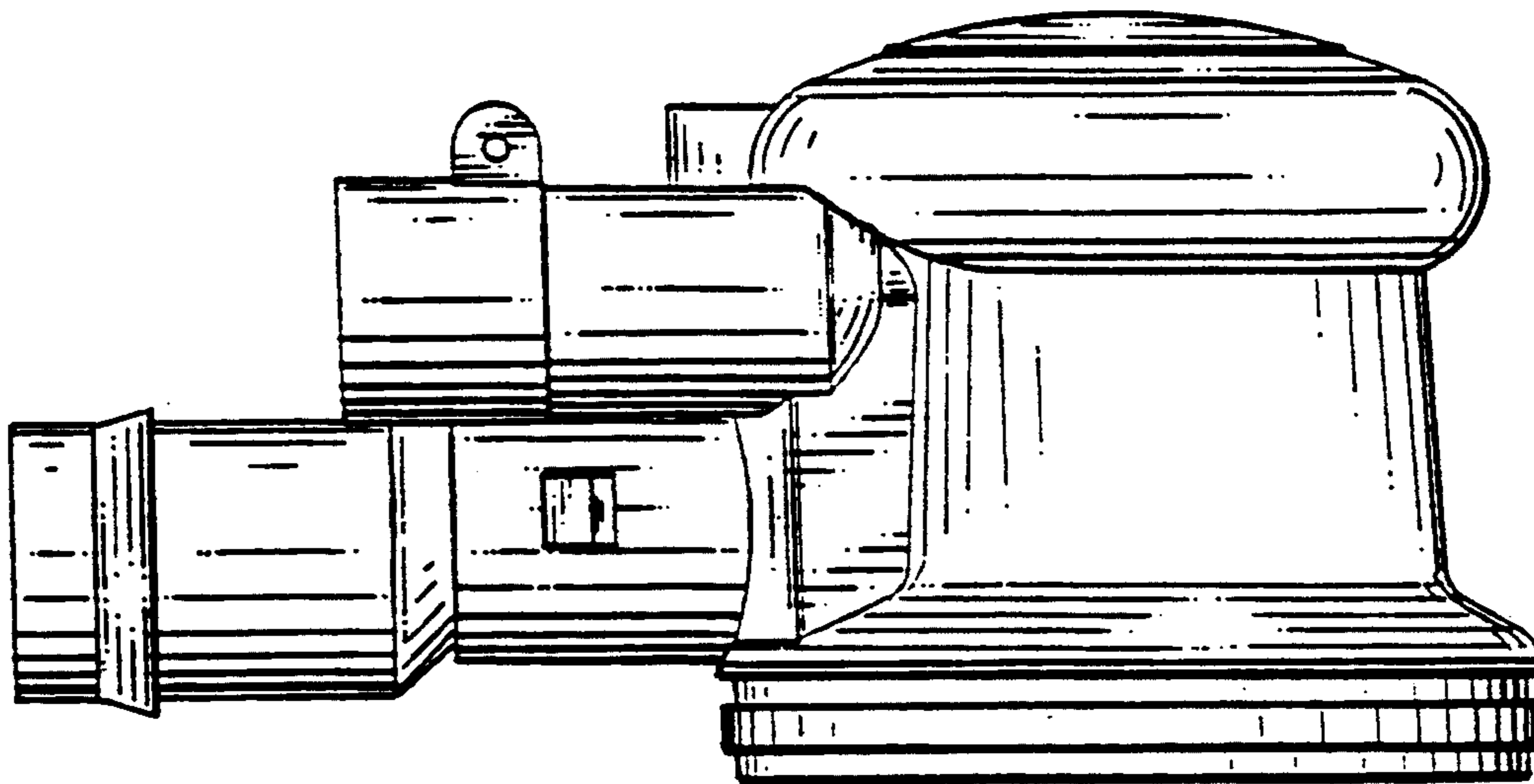
FIG. 2 is a left side elevation view of a combined palm sander with vacuum connection according to the present invention;

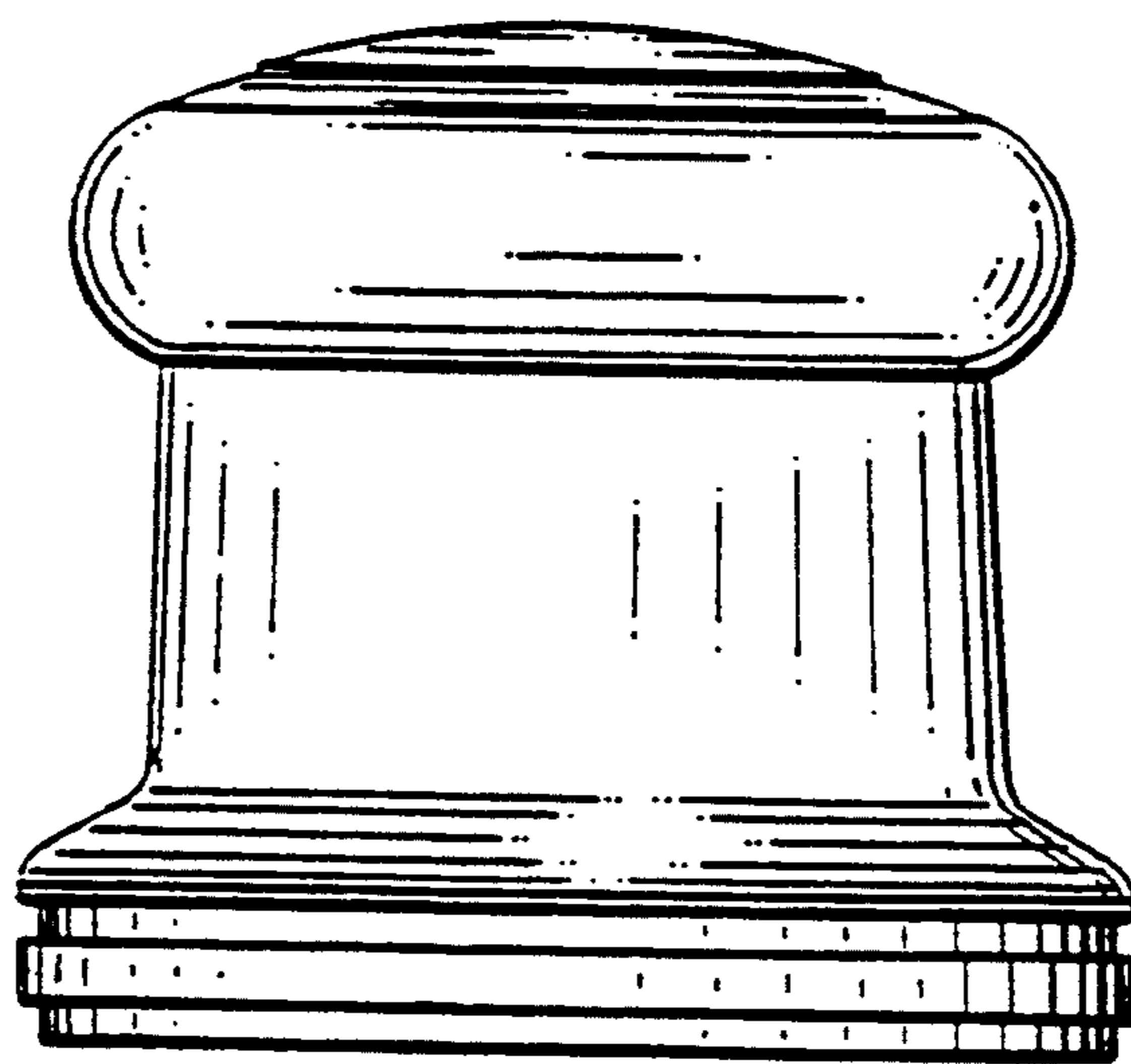
FIG. 3 is a right side elevation view of a combined palm sander with vacuum connection according to the present invention;

FIG. 4 is a top plan view of a combined palm sander with vacuum connection according to the present invention;

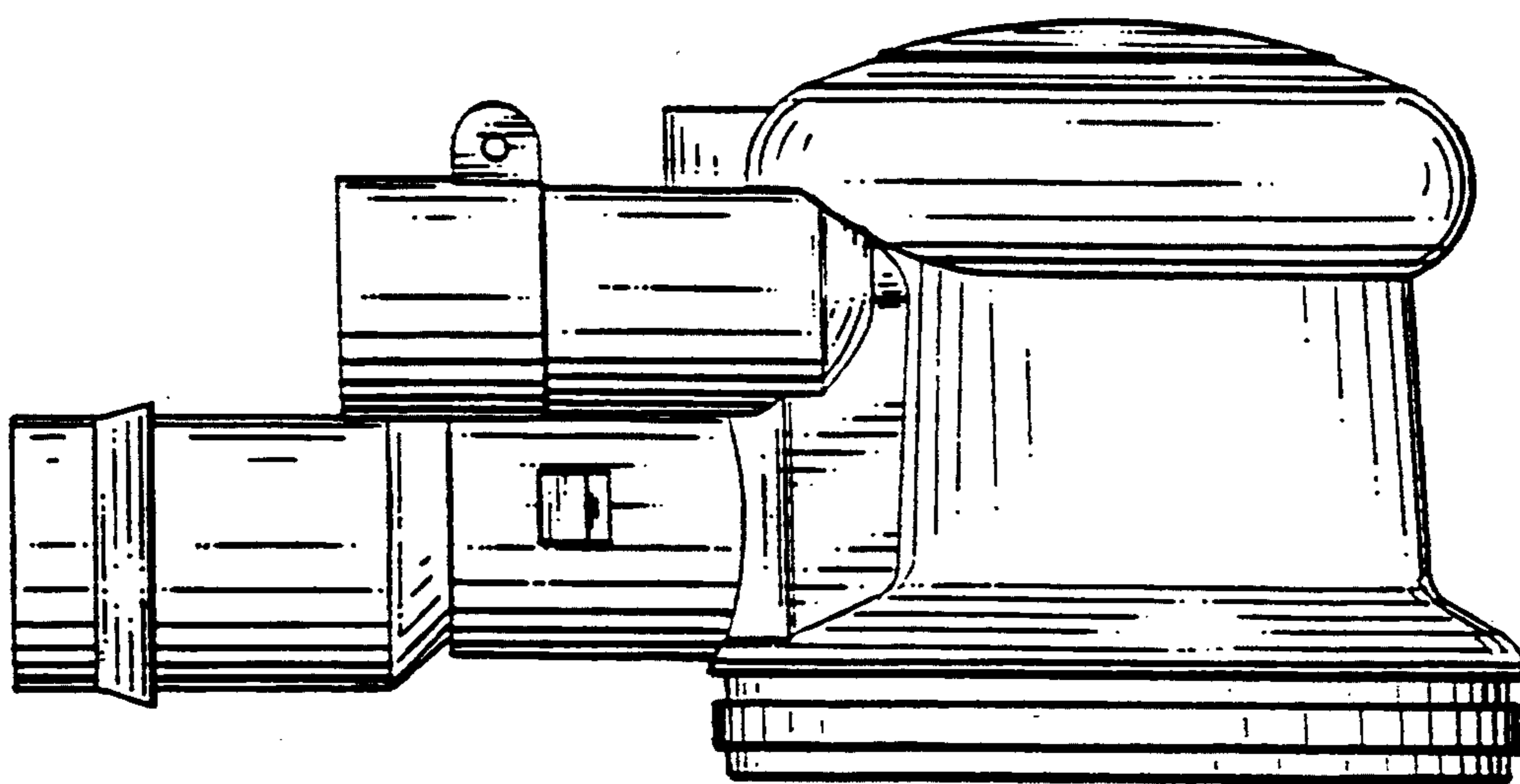
FIG. 5 is a bottom view of a combined palm sander with vacuum connection according to the present invention; and,

FIG. 6 is a rear elevation view of a combined palm sander with vacuum connection according to the present invention.





*FIG. 1*



*FIG. 2*

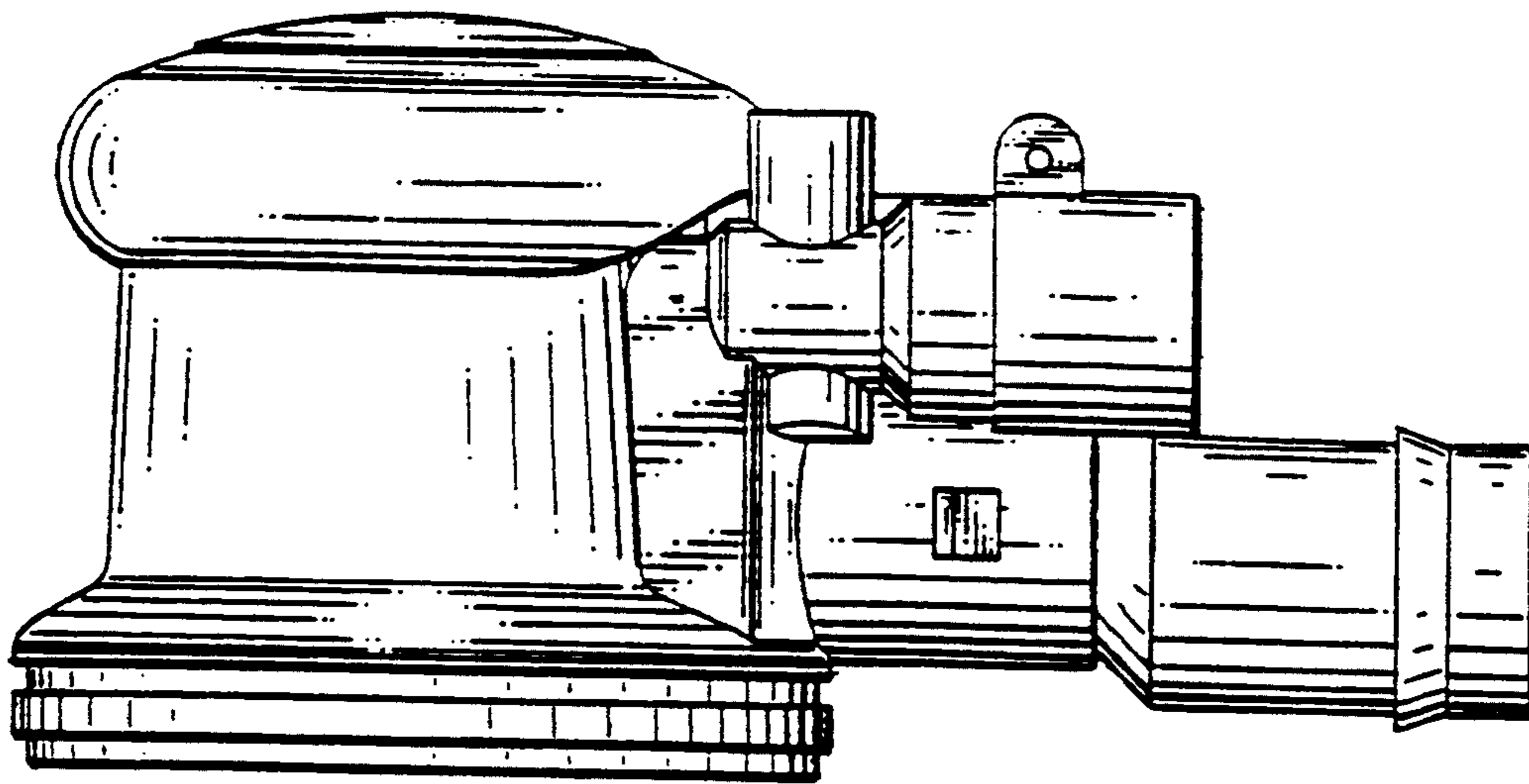


FIG. 3

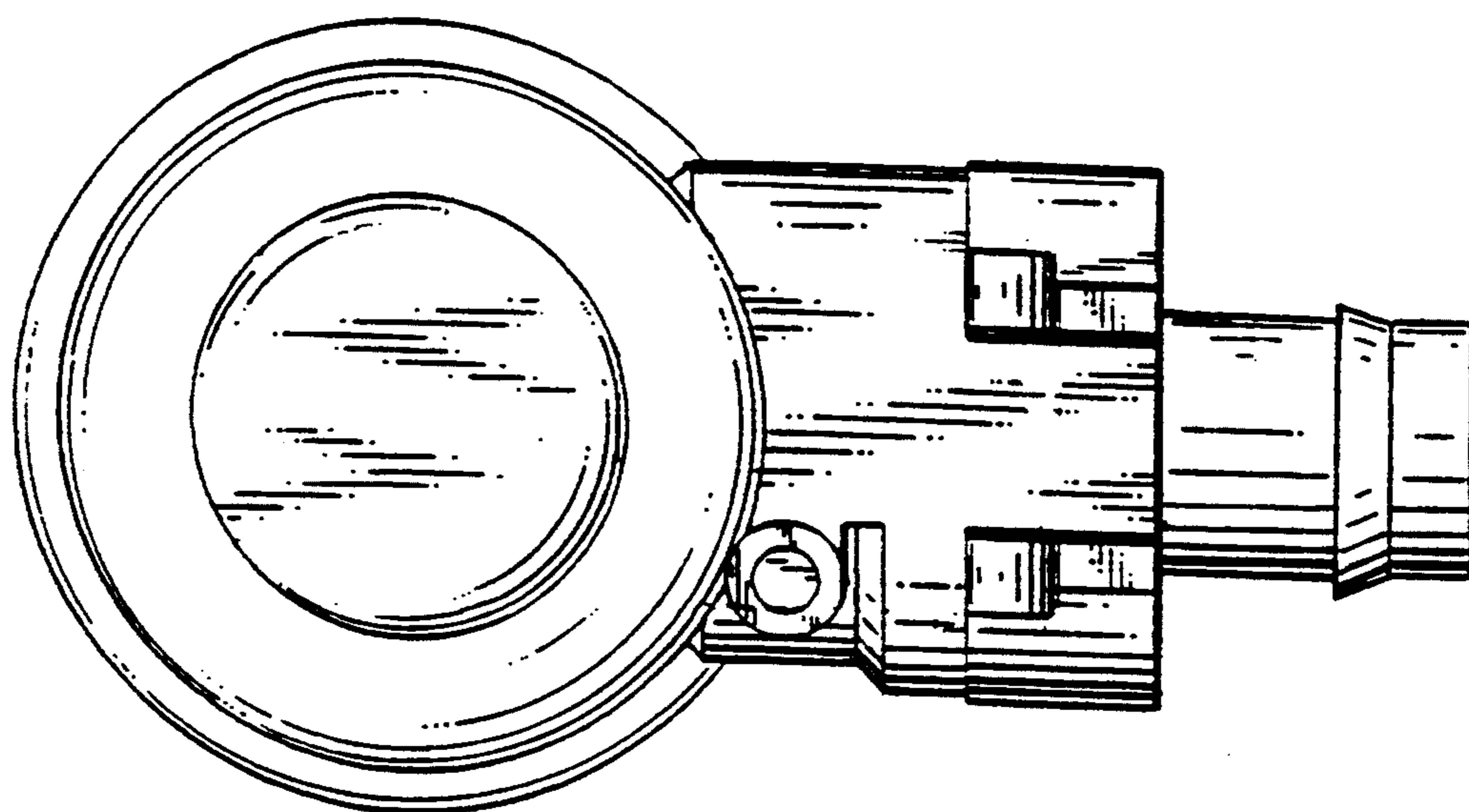
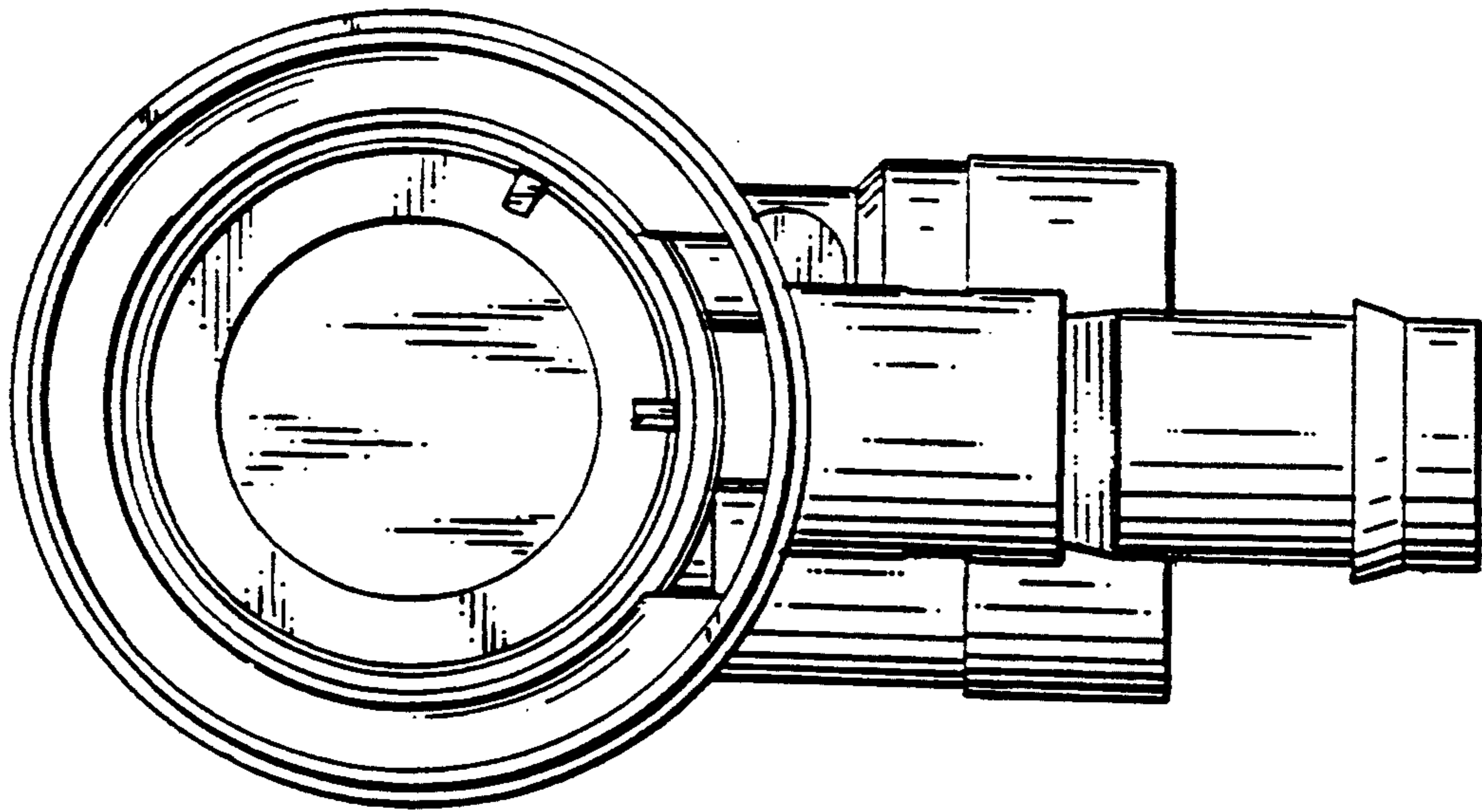
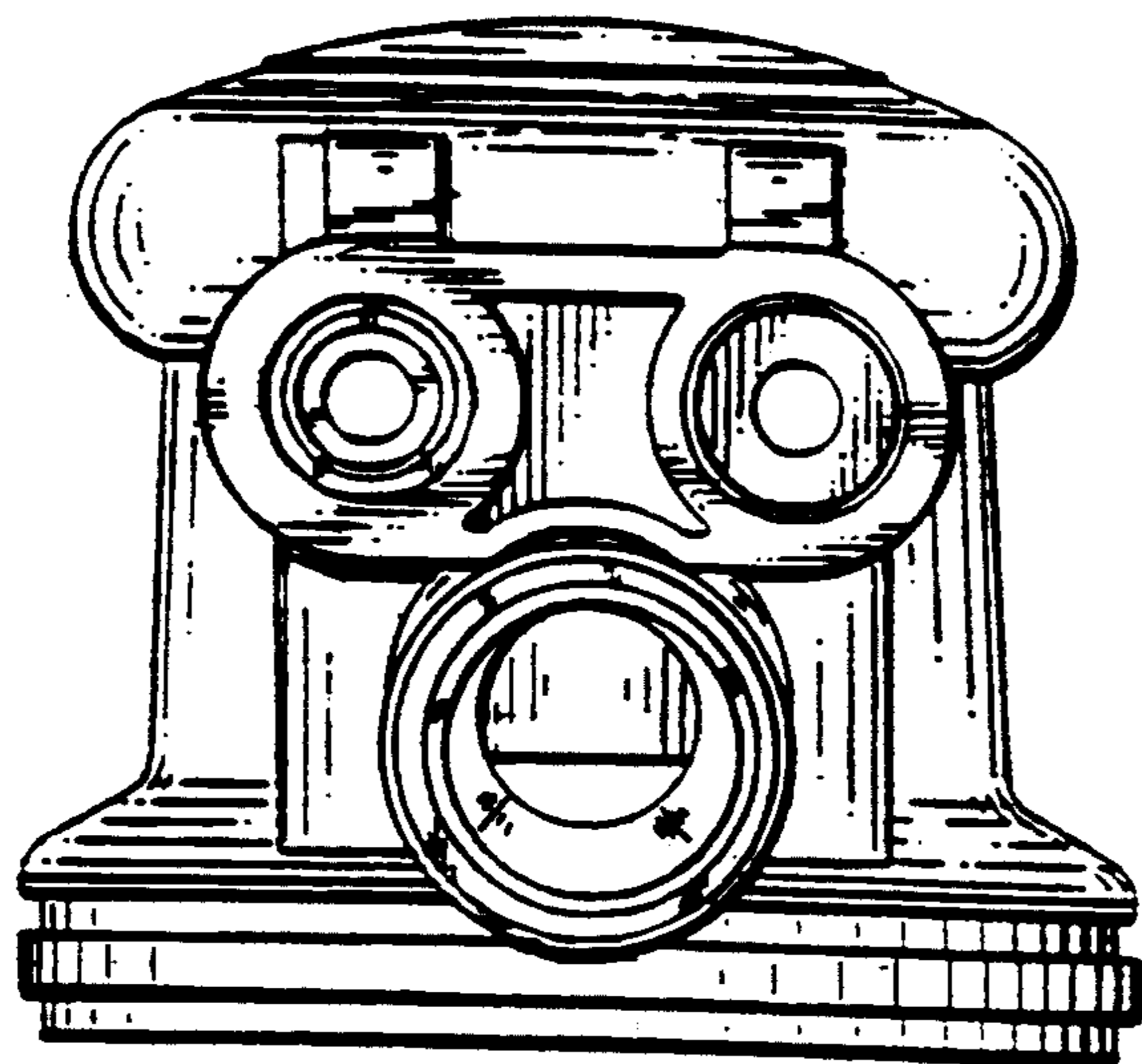


FIG. 4



*FIG. 5*



*FIG. 6*