



US00D351974S

United States Patent [19]

[11] Patent Number: **Des. 351,974**

Ward

[45] Date of Patent: **** Nov. 1, 1994**

[54] BODY MOUNTABLE FERTILIZER DISPENSER

[76] Inventor: **Darrin G. Ward**, Rte. 2, Box 48, Perry, Fla. 32347

[**] Term: **14 Years**

[21] Appl. No.: **9,435**

[22] Filed: **Jun. 14, 1993**

[52] U.S. Cl. **D8/2**

[58] Field of Search **D8/2; 222/470-471, 222/473; 239/153-154; D3/214; 224/153**

[56] References Cited

U.S. PATENT DOCUMENTS

D. 197,077	12/1963	Harris	D8/2
D. 327,076	6/1992	Chow	D15/13
473,310	4/1892	Goldman	239/154 X
2,013,358	9/1935	Osborne	222/175 X
2,095,351	10/1937	Van Winkle	222/175
2,558,181	6/1951	Kassel	222/175 X
2,606,701	8/1952	Huthsing	222/175 X
2,684,787	7/1954	Charpiat	222/175
2,808,965	10/1957	Graphia III, et al.	222/175
4,848,660	7/1989	O'Connell	222/175 X

OTHER PUBLICATIONS

M. Leonard Catalog, 1992, p. 70, Sprayer located in middle of page.

Primary Examiner—Wallace R. Burke

Assistant Examiner—H. Baynham

Attorney, Agent, or Firm—Rhodes & Ascolillo

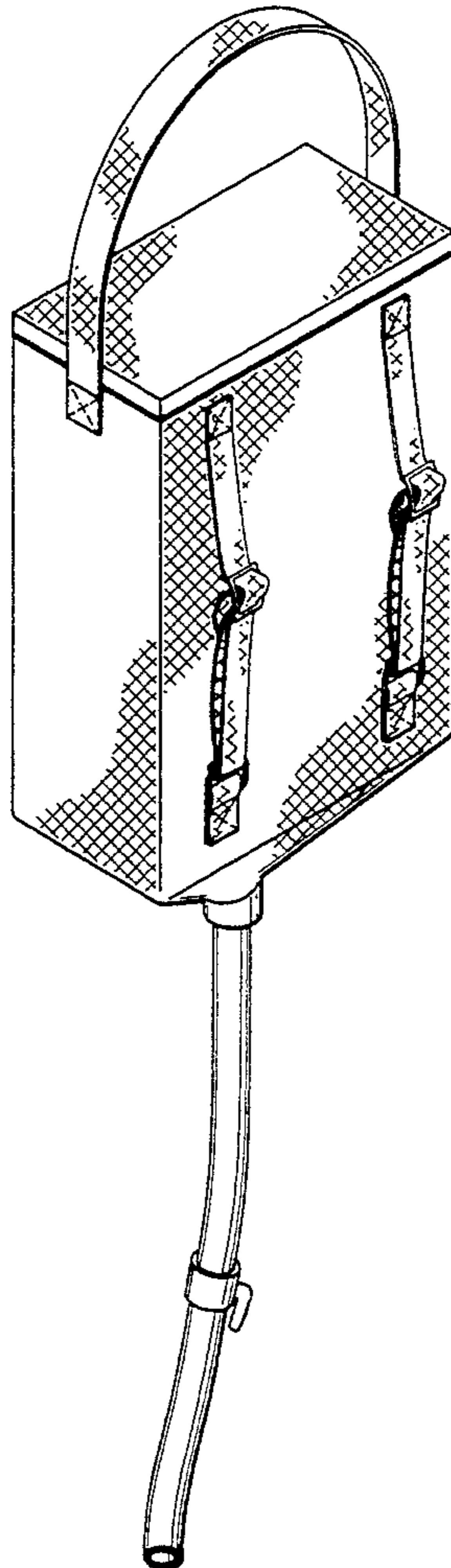
[57] CLAIM

The ornamental design for a body-mountable fertilizer dispenser, as shown.

DESCRIPTION

FIG. 1 is a perspective view of a body-mountable fertilizer dispenser showing my new design therefor; FIG. 2 is a top plan view; FIG. 3 is a side elevational view; FIG. 4 is a rear elevational view; FIG. 5 is a right side elevational view; FIG. 6 is a front elevational view; and, FIG. 7 is a bottom plan view.

The cross-line shading, which is partially shown for ease of illustration represents conventional fabric and is understood to cover the entire surfaces of the container and the straps.



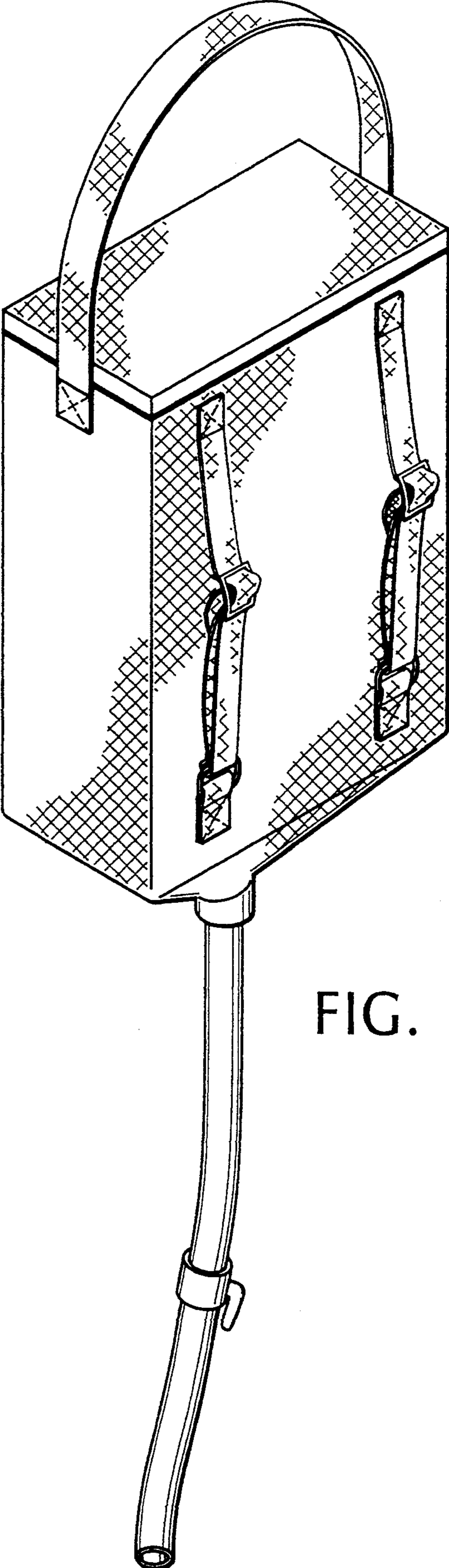


FIG. 1

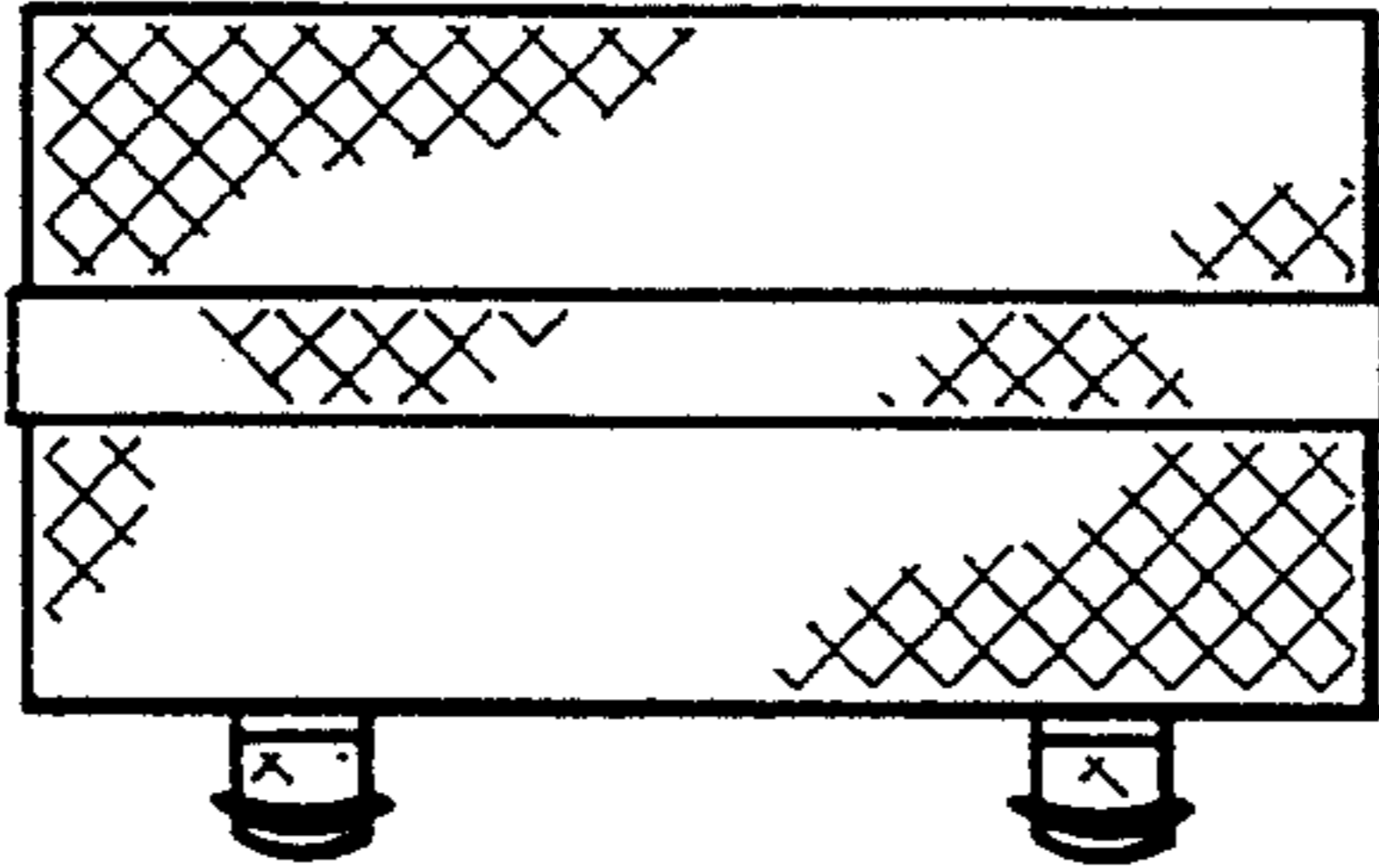


FIG. 2

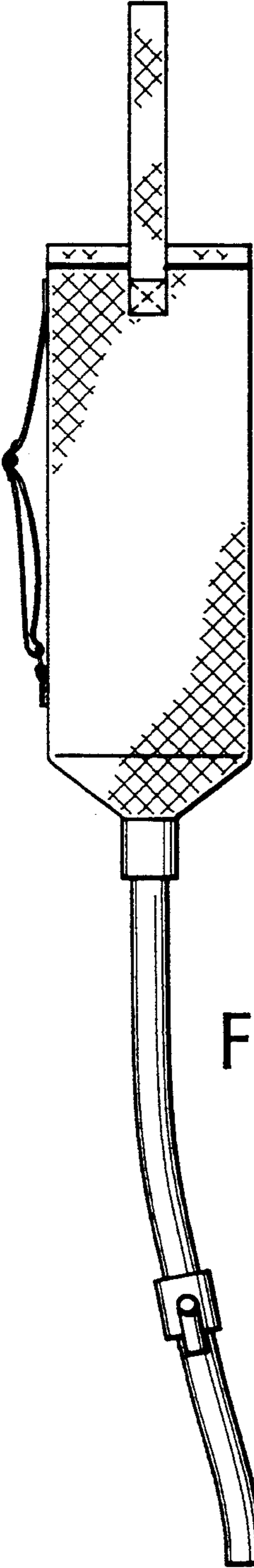


FIG. 3

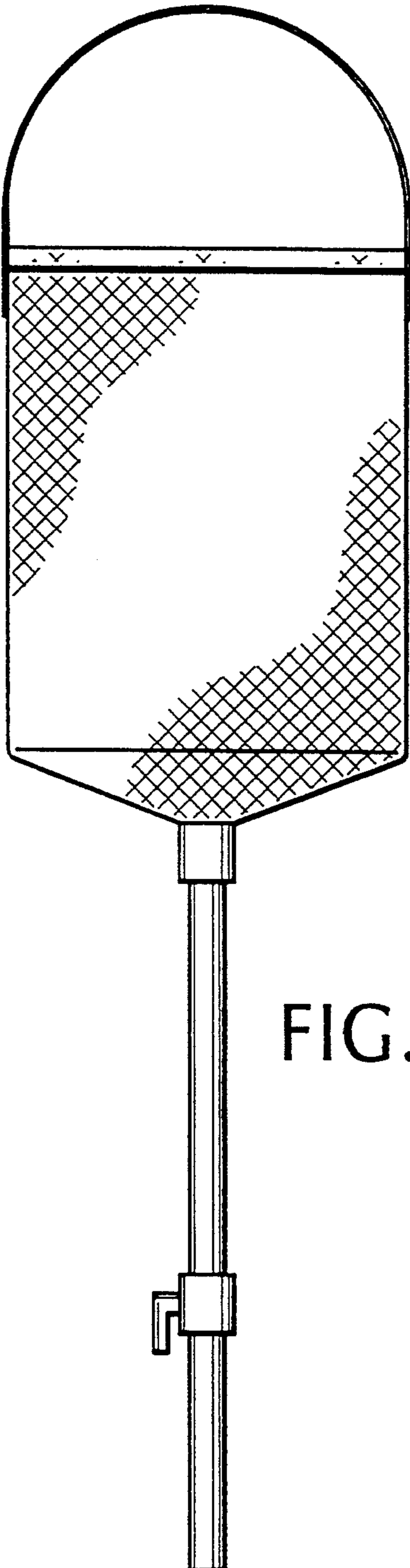


FIG. 4

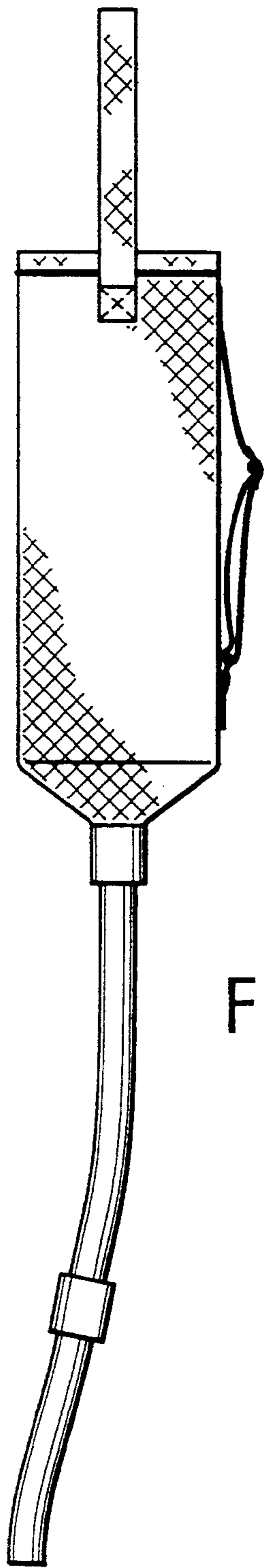


FIG. 5

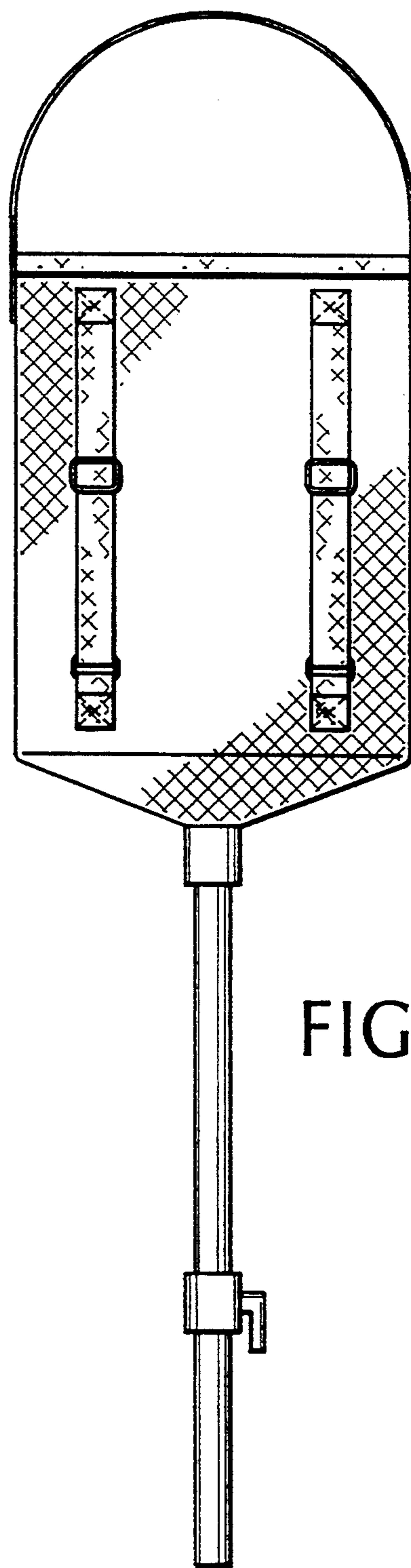


FIG. 6

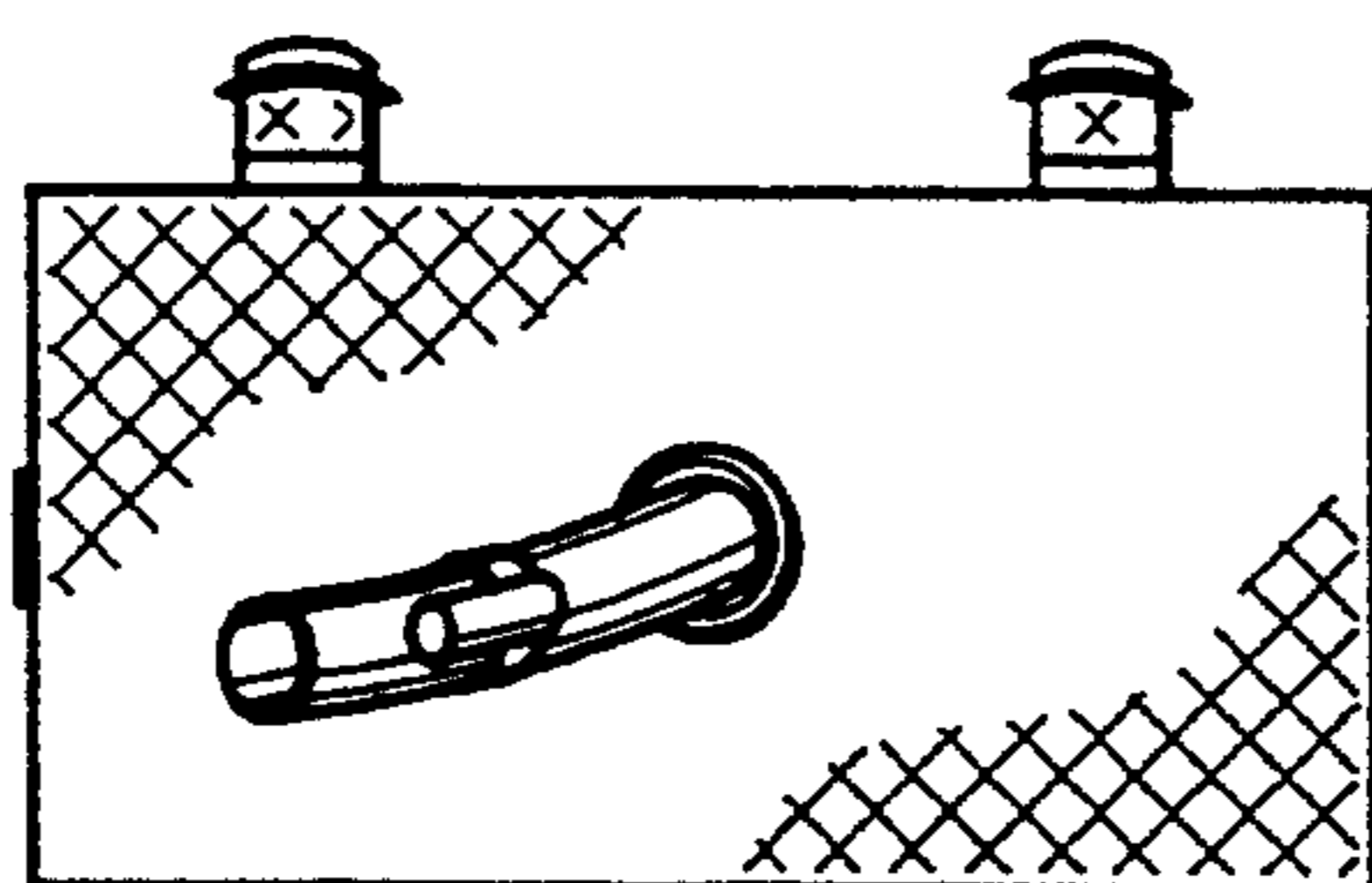


FIG. 7