



US00D351966S

# United States Patent [19]

[11] Patent Number: **Des. 351,966**

**King**

[45] Date of Patent: **\*\* Nov. 1, 1994**

[54] **OPEN FRYER**

[76] Inventor: **James D. King**, c/o Henny Penny Corporation, 1219 U.S. Rte. 35 West, P.O. Box 60, Eaton, Ohio 45320

[\*\*] Term: **14 Years**

[21] Appl. No.: **4,608**

[22] Filed: **Dec. 30, 1992**

[52] U.S. Cl. .... **D7/339**

[58] Field of Search ..... **D7/331, 332, 339; 99/331, 336, 403, 408, 410, 416; 219/440-441**

[56] **References Cited**

### U.S. PATENT DOCUMENTS

D. 287,795	1/1987	Streepy .....	D7/339
D. 337,021	7/1993	Boetto et al. ....	D7/339
1,630,309	5/1927	Pitman .....	126/391
2,124,186	7/1938	Childs .....	53/7
2,292,156	8/1942	Pitman .....	53/7
2,400,653	5/1946	O'Dowd .....	126/391
2,429,360	10/1947	Kells .....	126/391
3,060,922	10/1962	Wilson .....	126/391
3,313,288	4/1967	Aho .....	126/391
3,958,503	5/1976	Moore .....	99/336
3,970,072	7/1976	Chipchase .....	126/391

4,287,818	9/1981	Moore et al. ....	99/336
4,751,915	1/1988	Price .....	126/391
4,858,592	8/1989	Hayek et al. ....	126/373
4,898,151	2/1990	Luebke et al. ....	126/391
4,913,038	4/1990	Burkett et al. ....	99/331
4,928,664	5/1990	Nishino et al. ....	126/391
5,038,753	8/1991	Yokoyama et al. ....	126/391
5,253,566	10/1993	McCabe et al. ....	99/403

### OTHER PUBLICATIONS

Foodservice Equipment & Supplies Specialist, May 1988, p. 116 "ANET'S gas fryer" top left side of page.

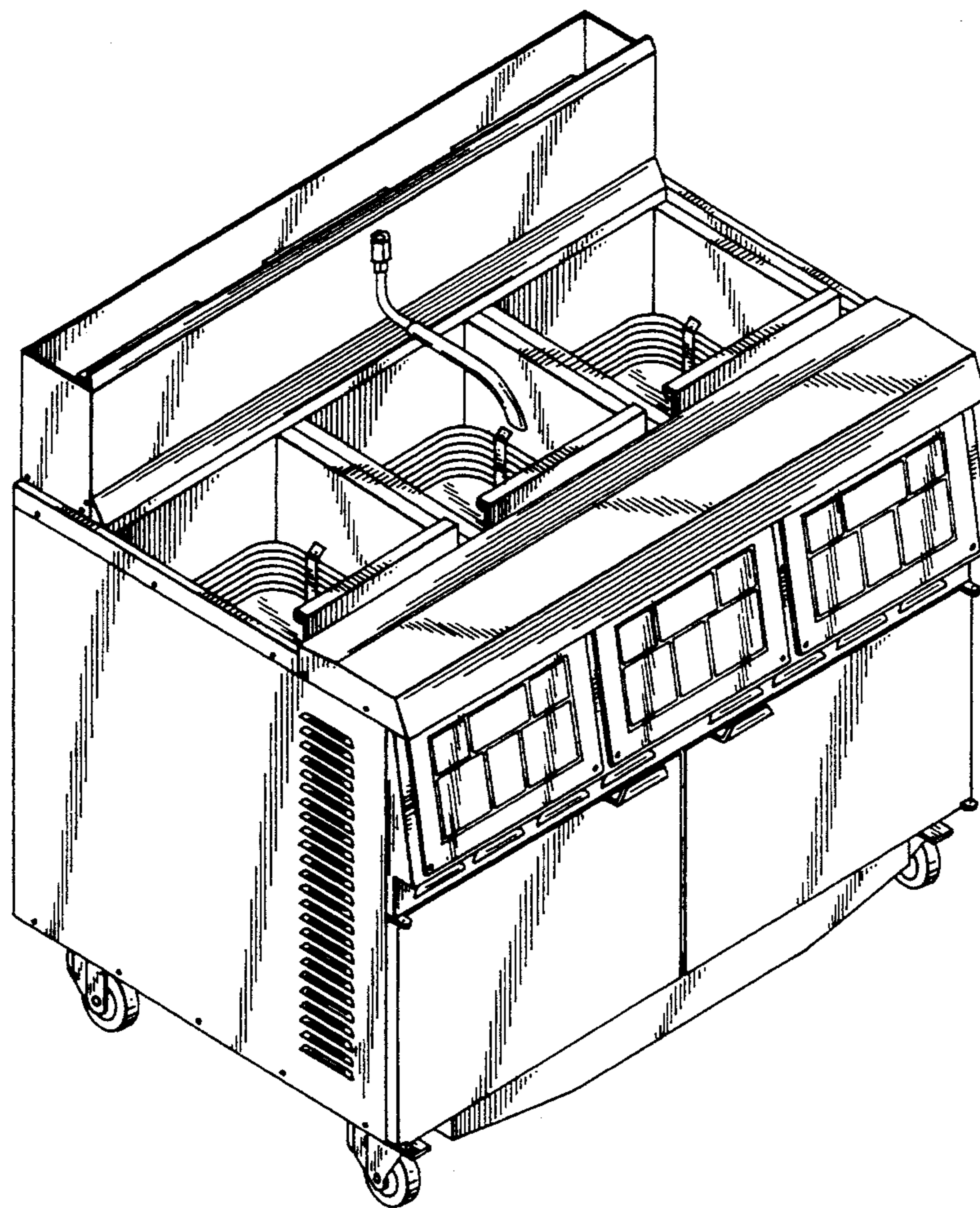
*Primary Examiner*—Ruth McInroy  
*Attorney, Agent, or Firm*—Baker & Botts

[57] **CLAIM**

The ornamental design for an open fryer, as shown and described.

### DESCRIPTION

FIG. 1 is a perspective view of an open fryer showing my new design;  
FIG. 2 is a front elevational view thereof;  
FIG. 3 is a rear elevational view thereof;  
FIG. 4 is a side elevational view thereof; and,  
FIG. 5 is a top plan view thereof.



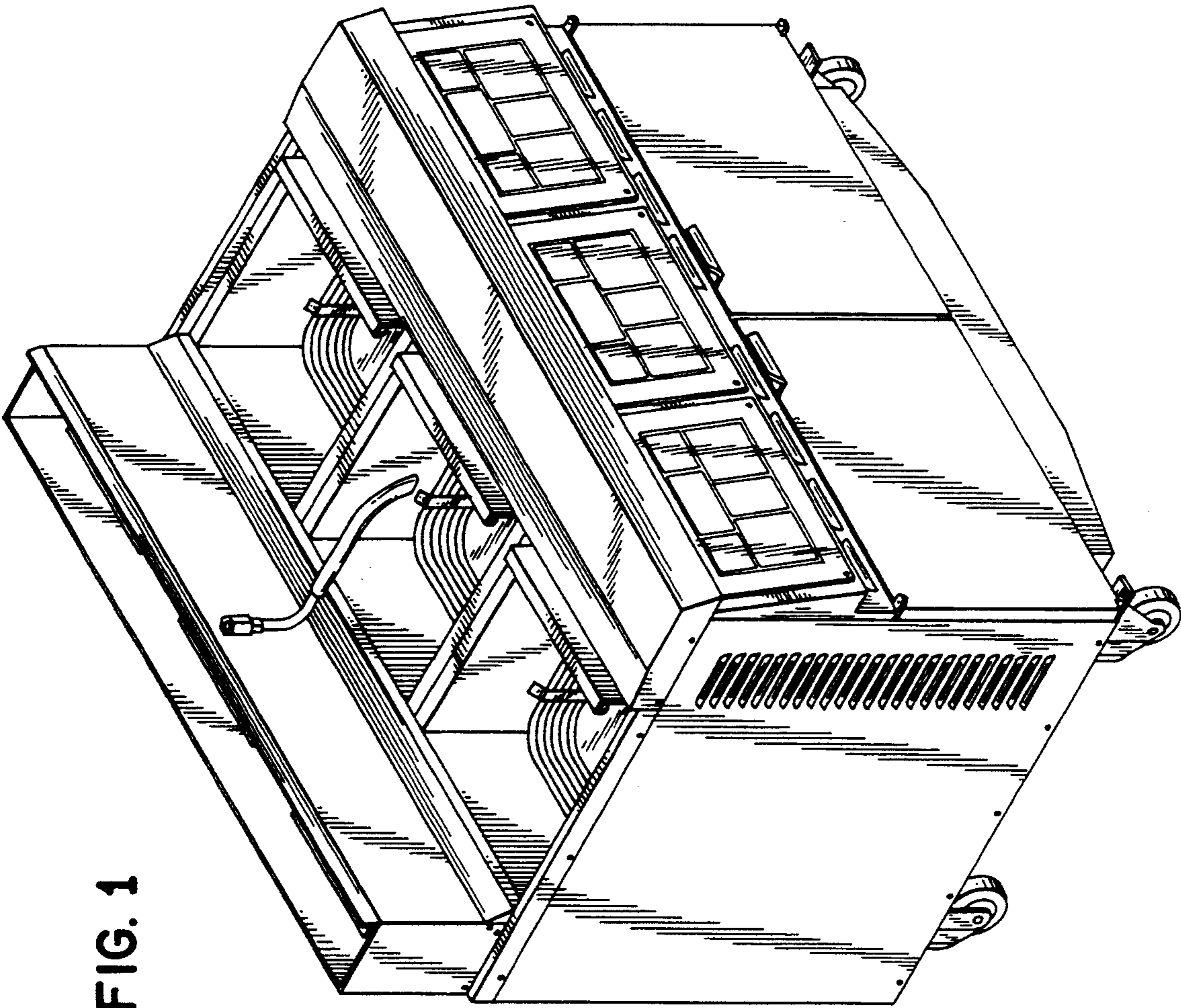


FIG. 1

FIG. 2

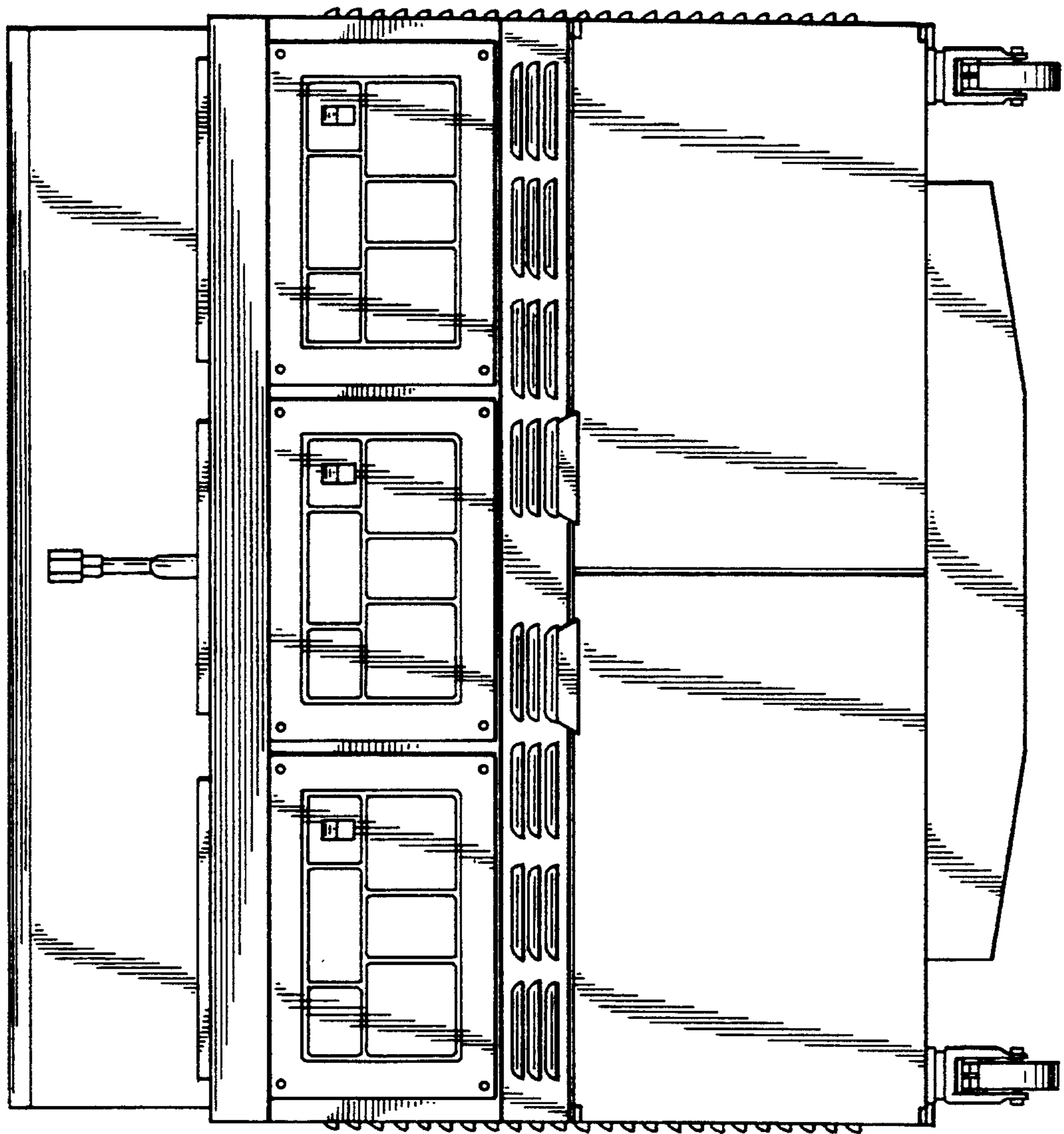


FIG. 3

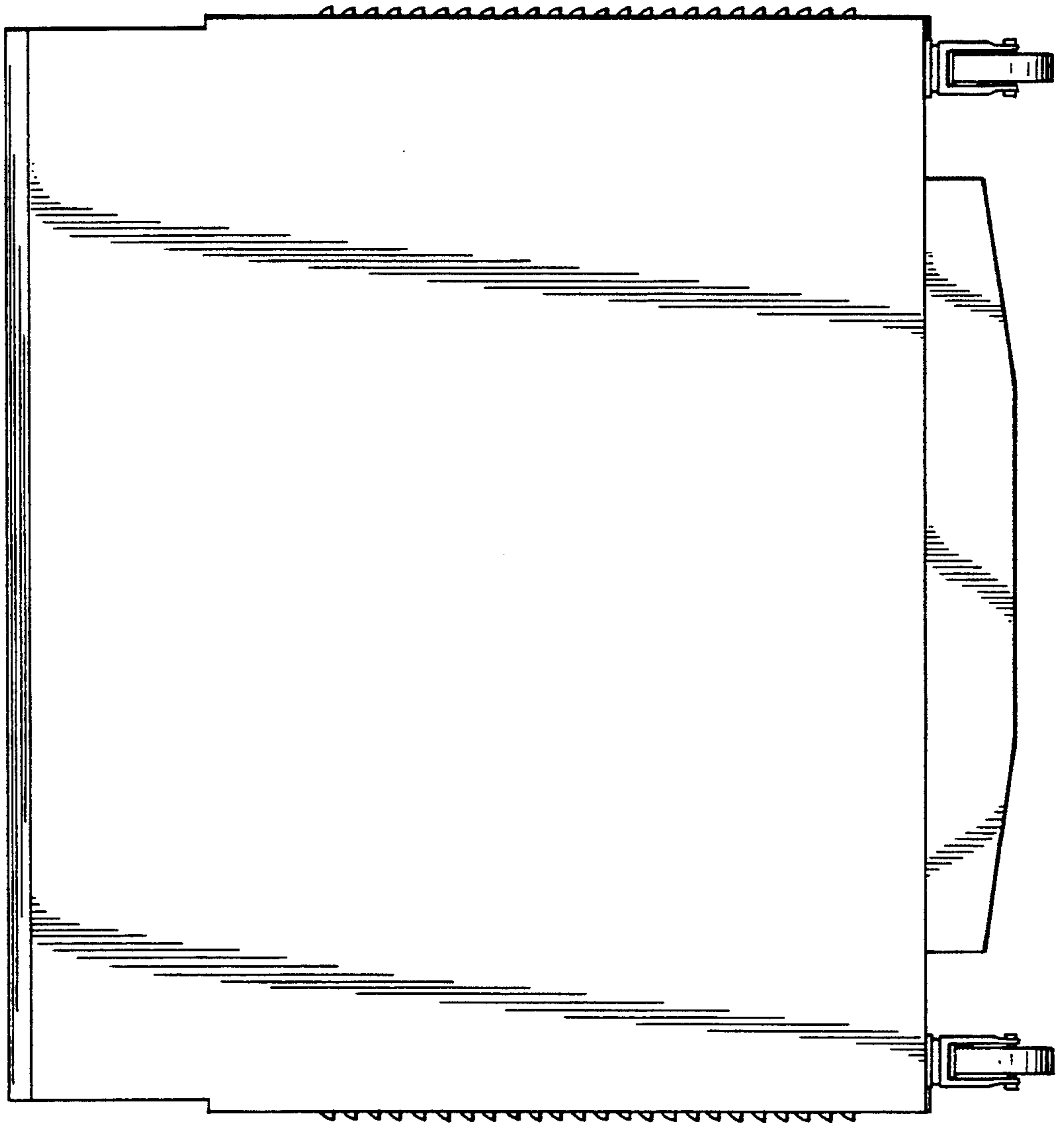


FIG. 4

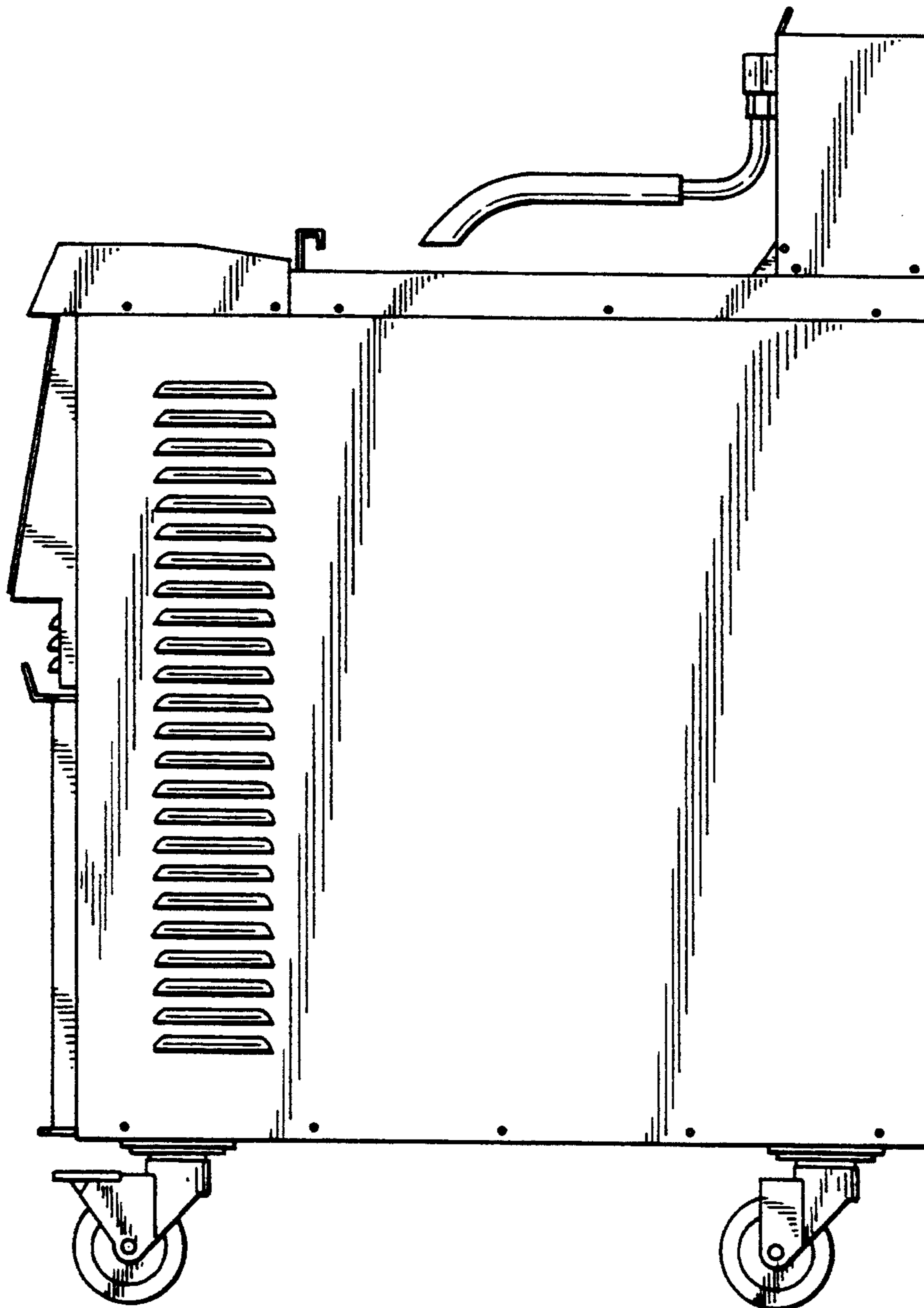
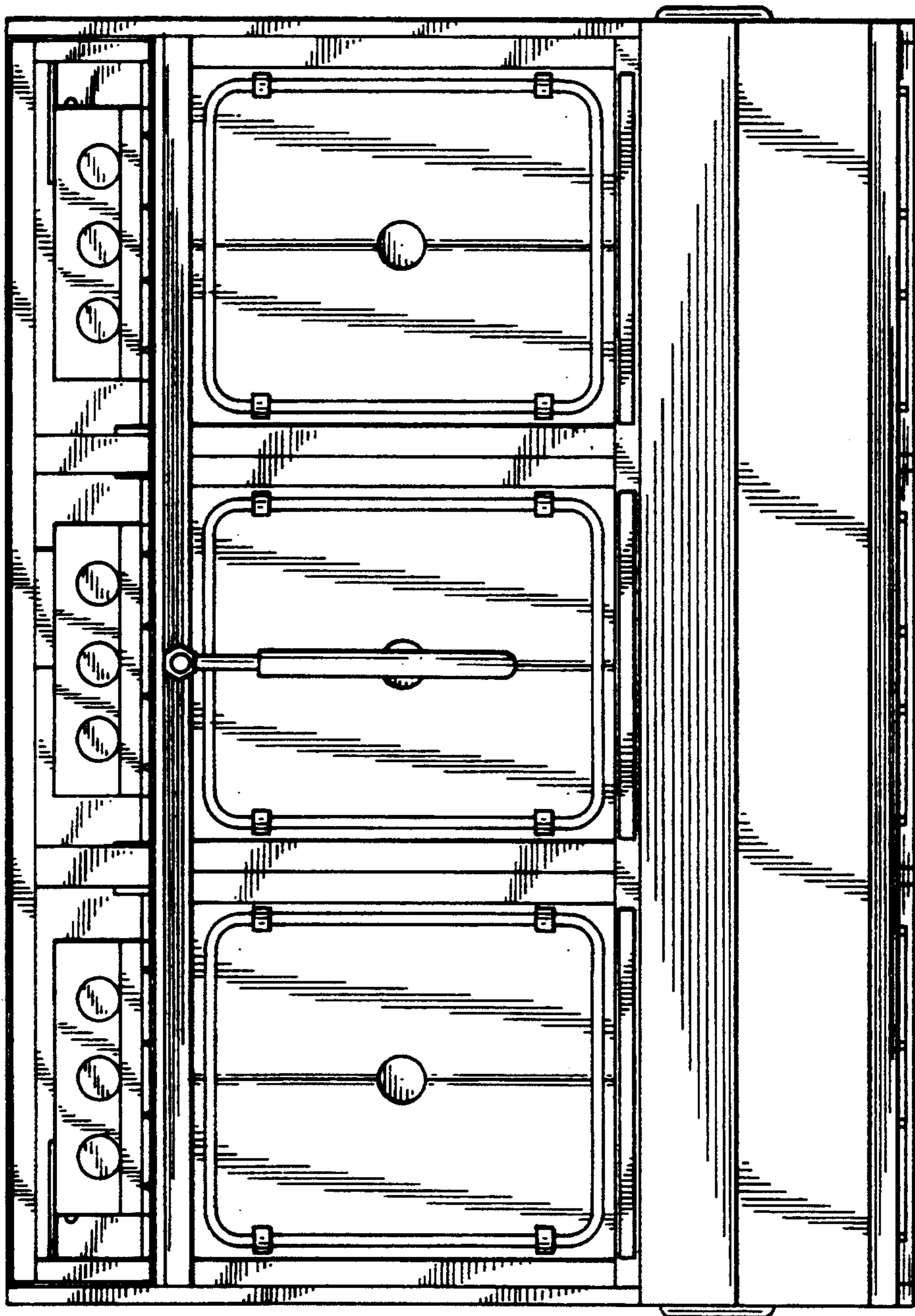


FIG. 5



UNITED STATES PATENT AND TRADEMARK OFFICE  
**CERTIFICATE OF CORRECTION**

PATENT NO. : DES. 351,966  
DATED : November 1, 1994  
INVENTOR(S) : James D. KING

It is certified that error appears in the above-identified patent and that said Letters Patent is hereby corrected as shown below:

Title page, insert item

[73] Assignee: Henny Penny Corporation, Eaton, Ohio

Signed and Sealed this  
Twenty-ninth Day of August, 2000

Attest:



Q. TODD DICKINSON

Attesting Officer

Director of Patents and Trademarks