



US00D351964S

# United States Patent [19]

Zivin

[11] Patent Number: **Des. 351,964**

[45] Date of Patent: **\*\* Nov. 1, 1994**

[54] **PITCHER AND LID THEREFOR**

[76] Inventor: **Elliott N. Zivin**, 60 Cherry St.,  
Bridgeport, Conn. 06605

[\*\*] Term: **14 Years**

[21] Appl. No.: **17,560**

[22] Filed: **Jan. 14, 1994**

[52] U.S. Cl. .... **D7/303; D7/302;**  
**D7/317; D7/318; D7/319; D7/599**

[58] **Field of Search** ..... **D7/507, 514, 523, 526,**  
**D7/302, 604, 527, 528, 530, 565, 531, 532, 533,**  
**542, 562, 539, 544, 560, 506, 300, 307, 301, 303,**  
**316, 317, 319, 318, 598, 599; 220/673**

212,035 8/1968 Benes .  
212,894 12/1968 Benes .  
D. 220,773 5/1971 Dilyard ..... D7/317  
D. 224,392 7/1972 Ries ..... D9/307  
D. 229,812 11/1973 Wooters ..... D7/317  
251,713 5/1979 Brody .  
D. 260,842 9/1981 Trombly ..... D7/319  
D. 264,926 6/1982 McClelland ..... D7/317  
268,789 4/1983 Harper .  
D. 270,602 9/1983 Fritz ..... D7/319  
271,751 12/1983 Campana .  
275,355 9/1984 Durand .  
275,357 9/1984 Durand .  
283,389 4/1986 Durand .  
D. 296,973 8/1988 Carafe ..... D7/317  
299,800 2/1989 Natori .  
D. 301,786 6/1989 Yoshikawa ..... D7/604  
D. 308,926 7/1990 Zivin ..... D7/319  
3,844,450 10/1974 Johnson ..... D7/317 X

[56] **References Cited**  
**U.S. PATENT DOCUMENTS**

D. 7,504 6/1874 Atterbury et al. .... D7/319  
8,161 2/1875 Lowry .  
D. 8,232 3/1875 Atterbury et al. .... D7/303  
D. 10,313 11/1877 Jeffords ..... D7/302  
D. 12,961 6/1882 Shenkel ..... D7/302  
18,224 4/1888 Barr .  
18,650 10/1888 Hipkins, Jr. .  
19,209 7/1889 Mellor .  
71,041 9/1926 Atterholt .  
D. 74,066 12/1927 Mas ..... D9/307  
85,152 9/1931 Beatty .  
103,599 3/1937 Ruck .  
106,792 11/1937 Ilgenfritz et al. .  
109,979 6/1938 Guild .  
119,863 4/1940 Lundy .  
156,929 1/1950 Yutzey .  
D. 190,933 7/1961 Evans ..... D9/307  
D. 192,934 5/1962 Bloch ..... D7/318  
192,934 5/1962 Bloch .  
196,866 11/1963 Lewis .  
D. 207,236 3/1967 Fields ..... D7/302  
207,718 5/1967 Benes .  
D. 209,073 10/1967 Martin ..... D7/317

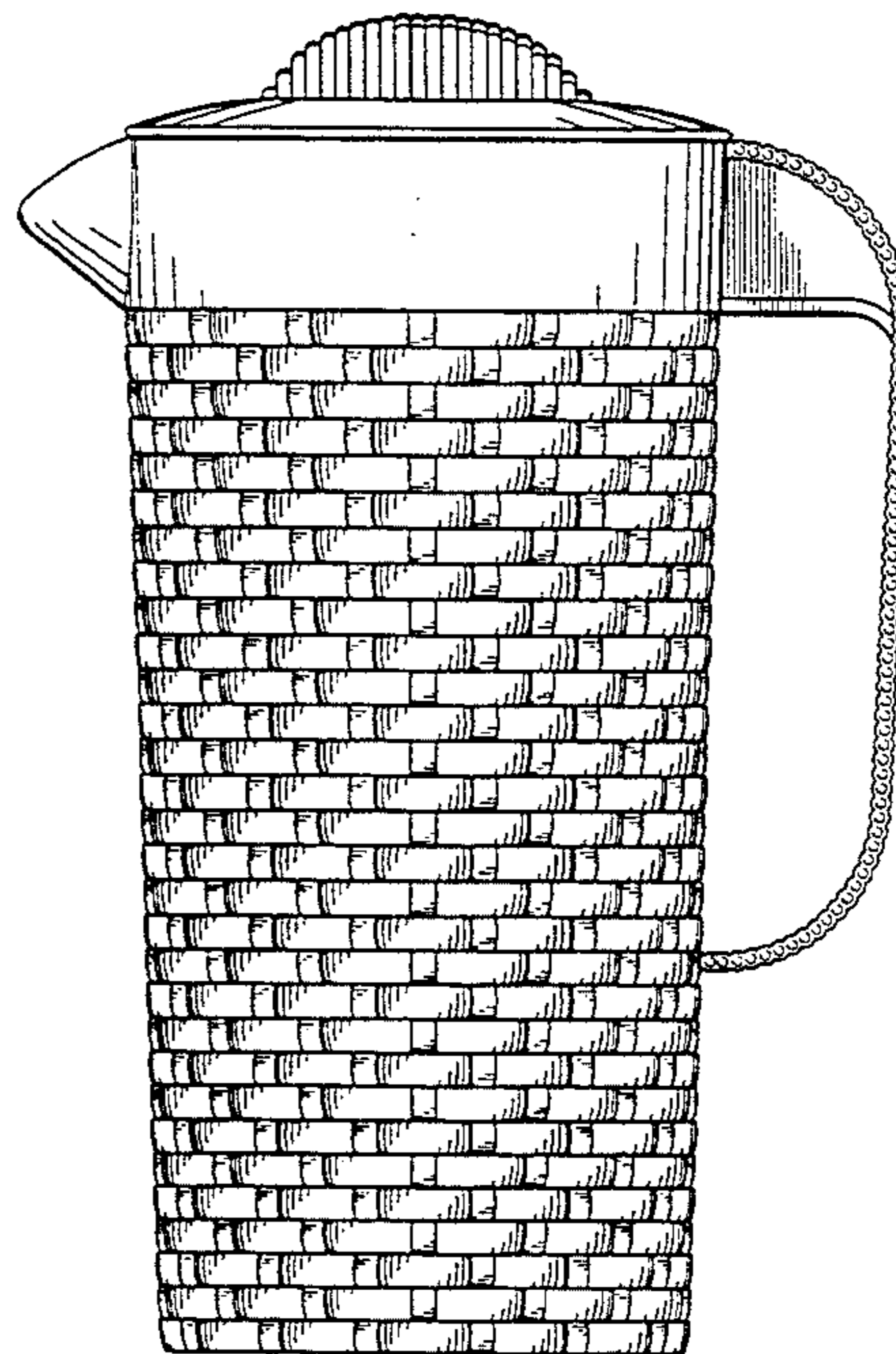
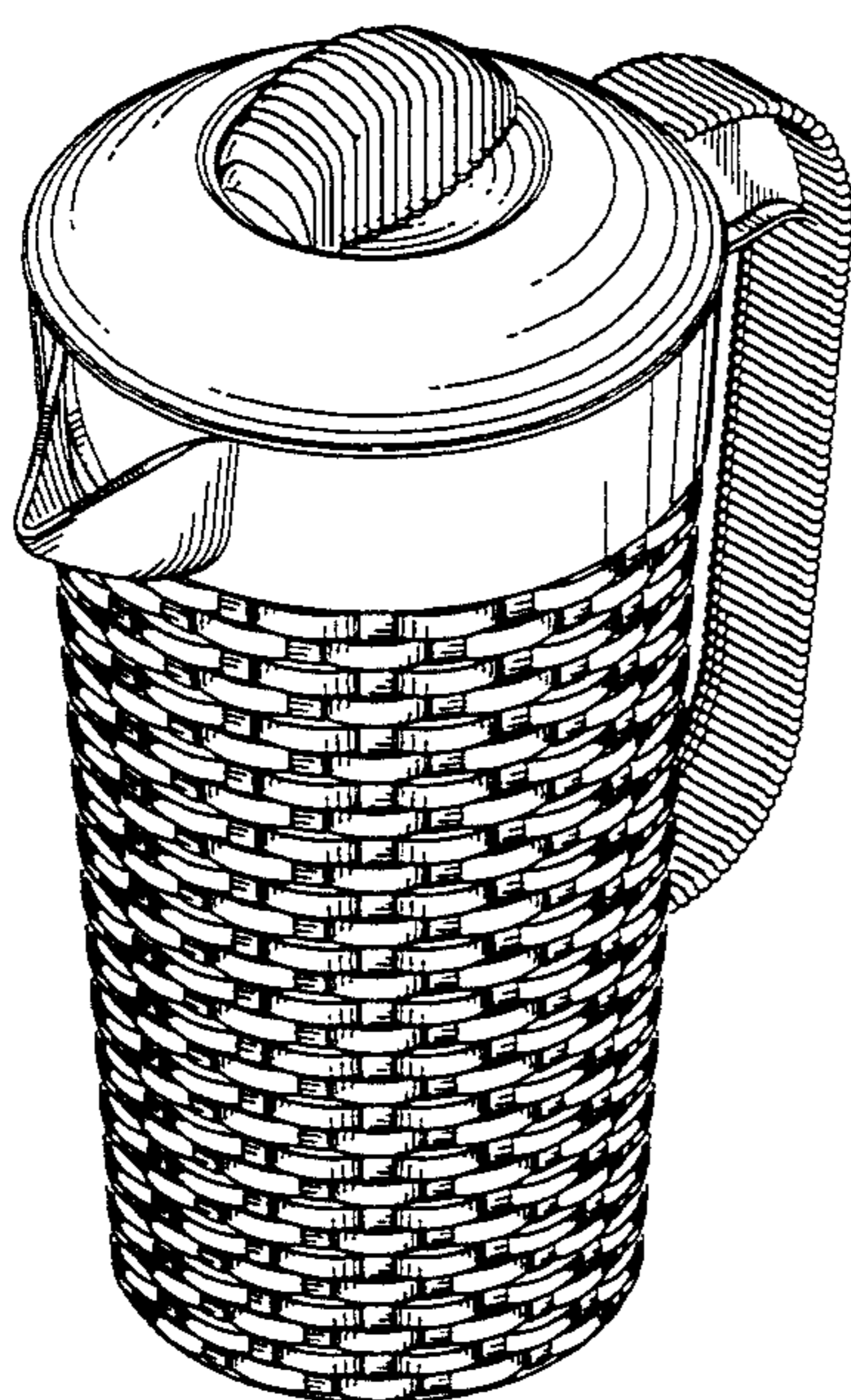
*Primary Examiner*—Alan P. Douglas  
*Assistant Examiner*—M. N. Pandozzi  
*Attorney, Agent, or Firm*—Keck, Mahin & Cate

[57] **CLAIM**

The ornamental design for a pitcher and lid therefor, as shown.

**DESCRIPTION**

FIG. 1 is a general perspective view of the pitcher and lid embodying the present invention;  
FIG. 2 is a top plan view of the pitcher and lid shown in FIG. 1;  
FIG. 3 is a right side elevational view of the pitcher and lid shown in FIG. 1;  
FIG. 4 is a bottom plan view of the pitcher and lid shown in FIG. 1;  
FIG. 5 is an exploded perspective view of the pitcher and lid shown in FIG. 1; and,  
FIG. 6 is an exploded rear elevational view of the pitcher and lid shown in FIG. 1.



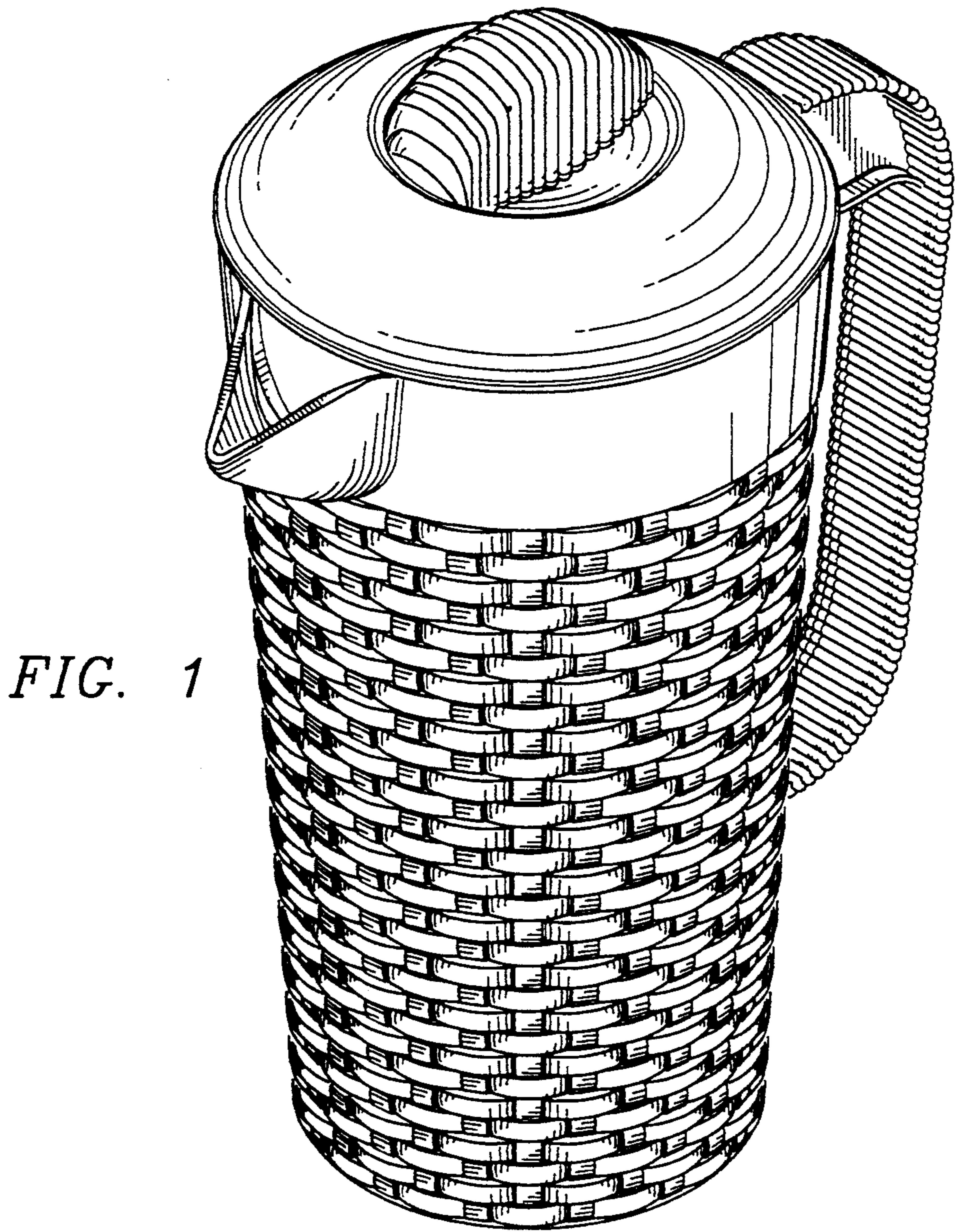


FIG. 1

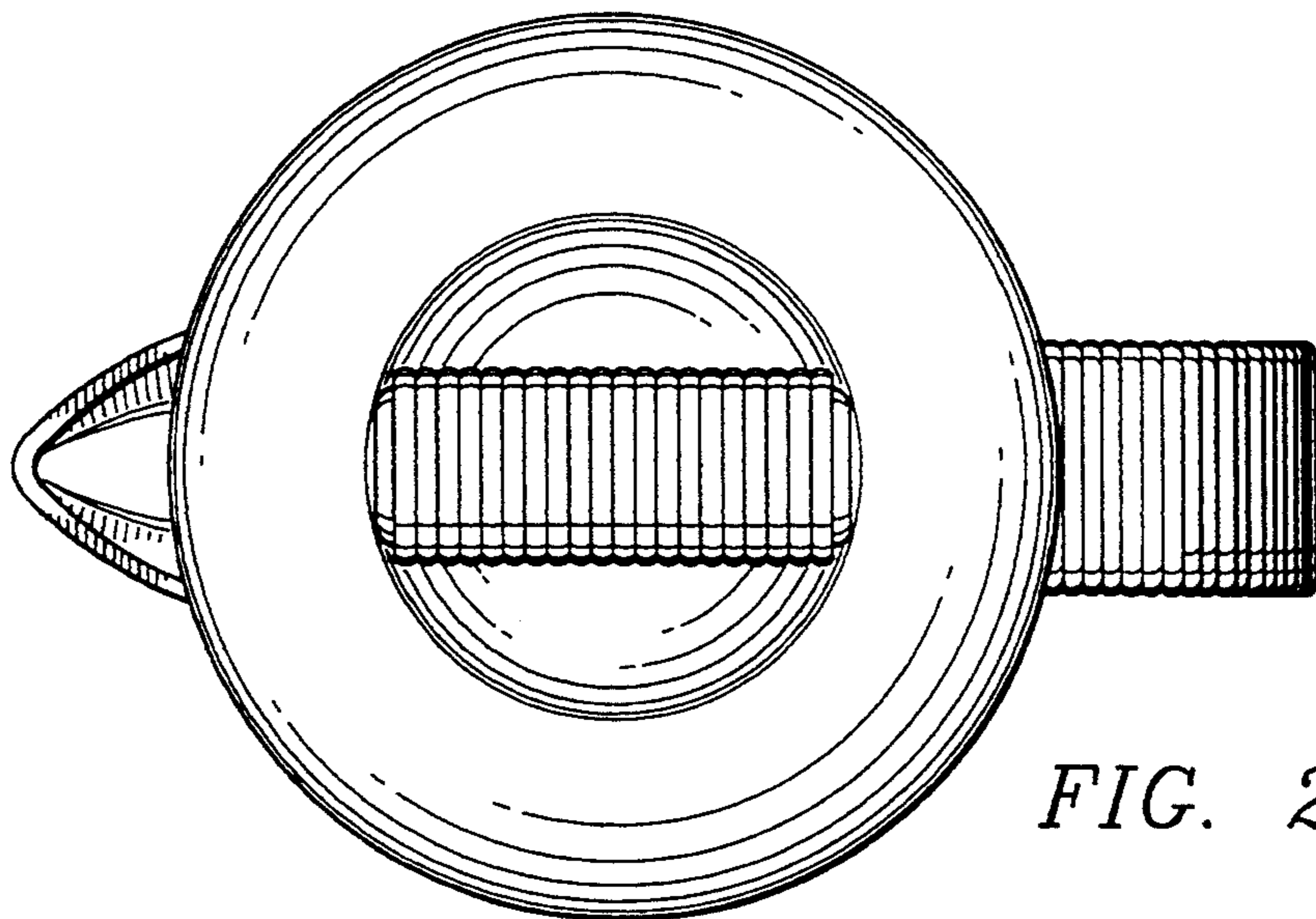


FIG. 2

FIG. 3

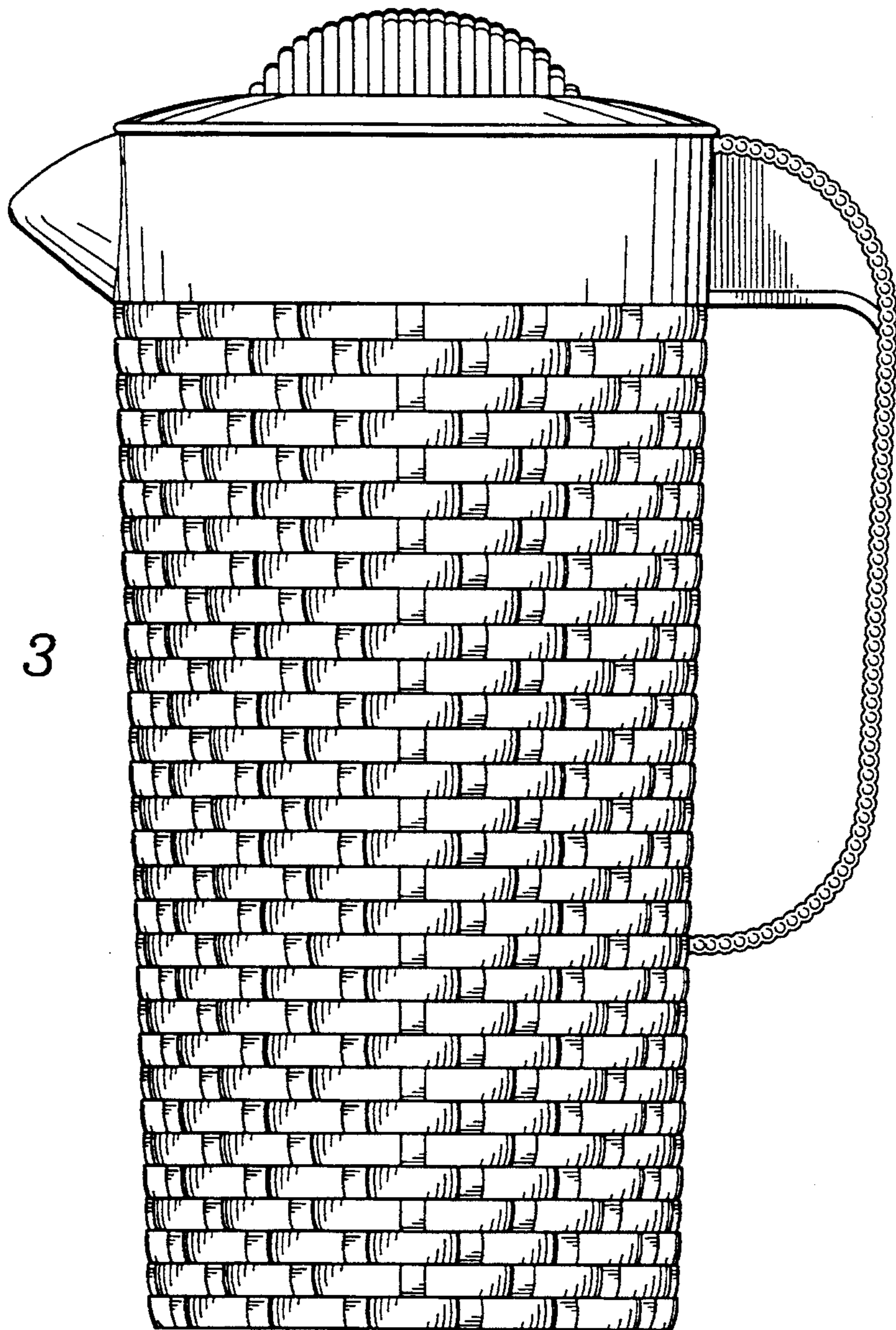


FIG. 4

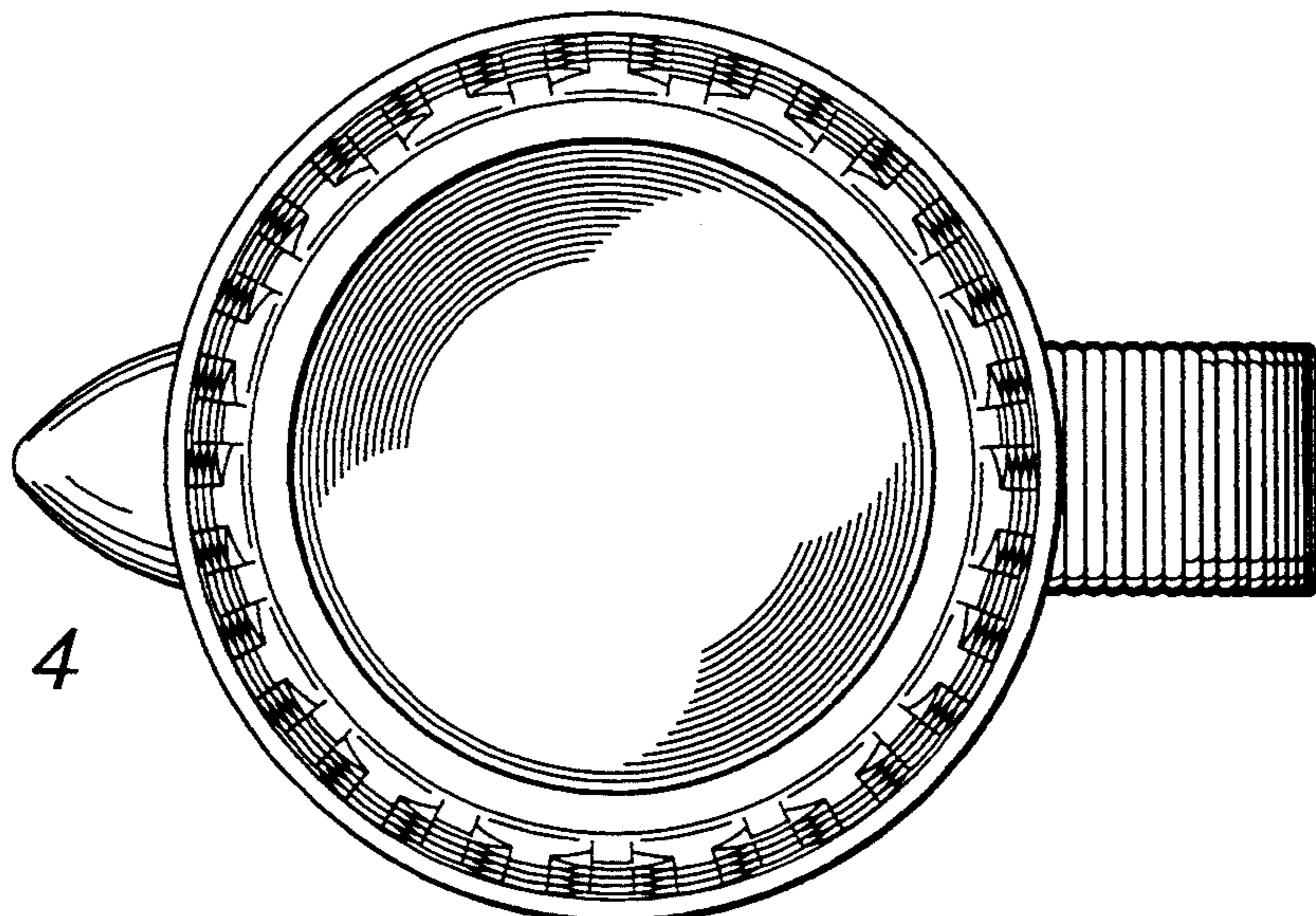
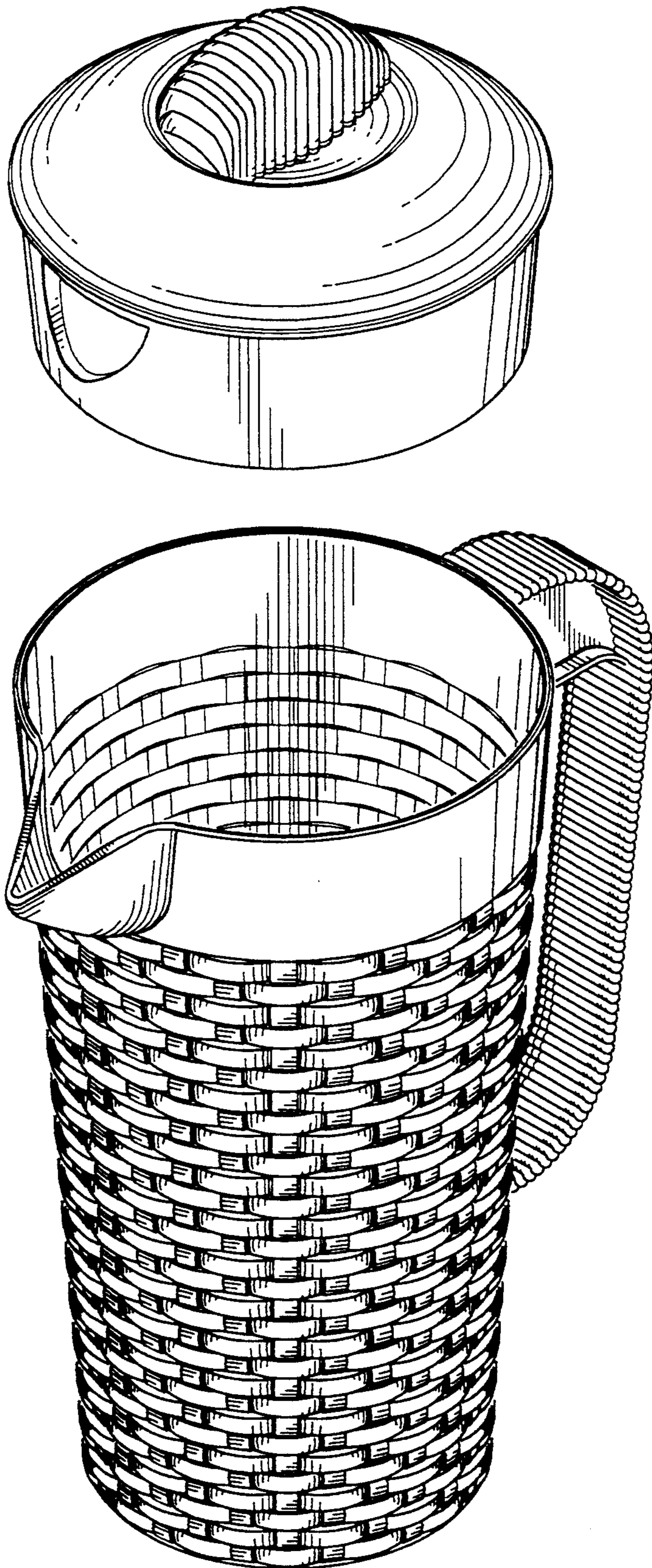


FIG. 5



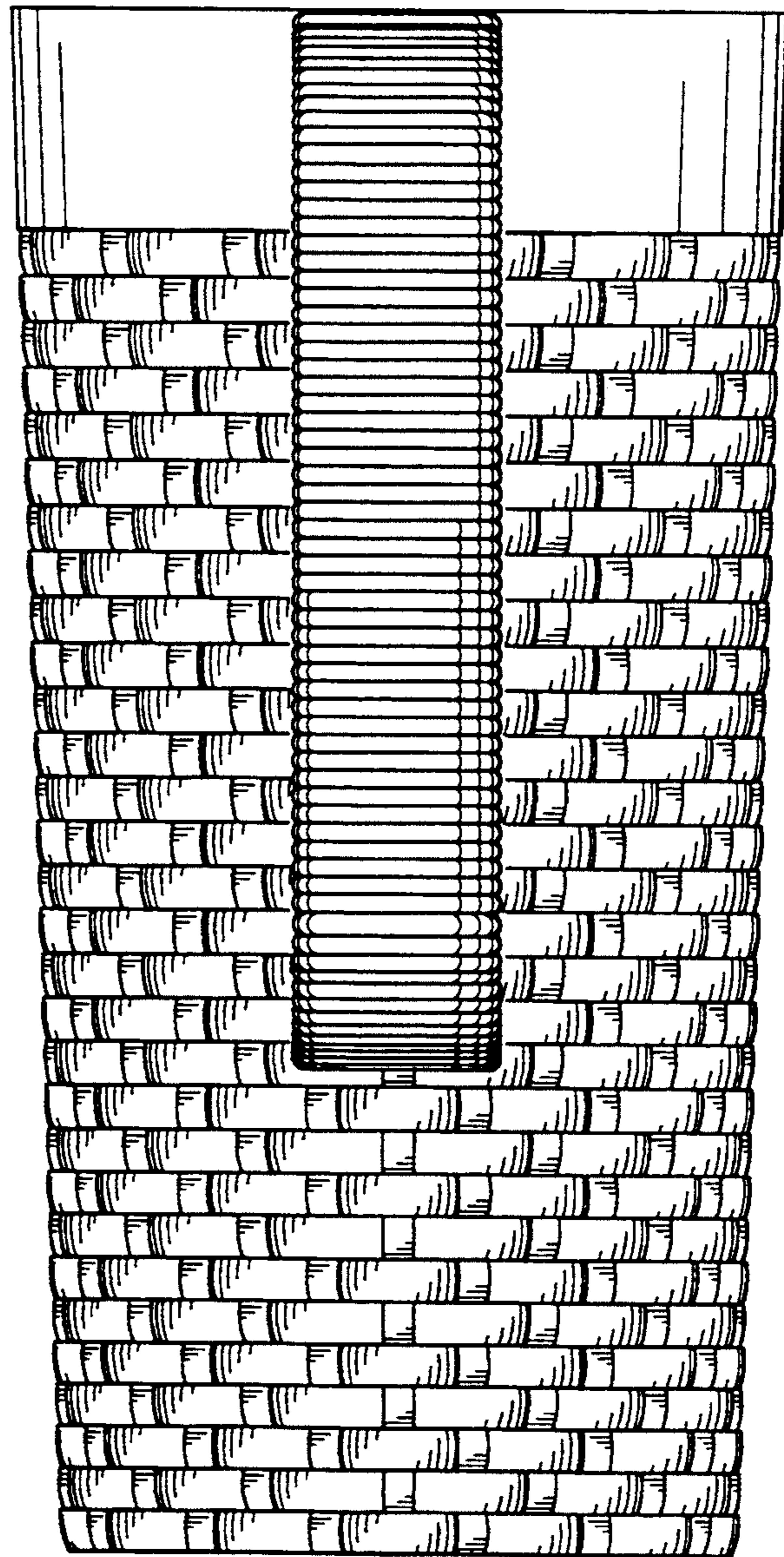
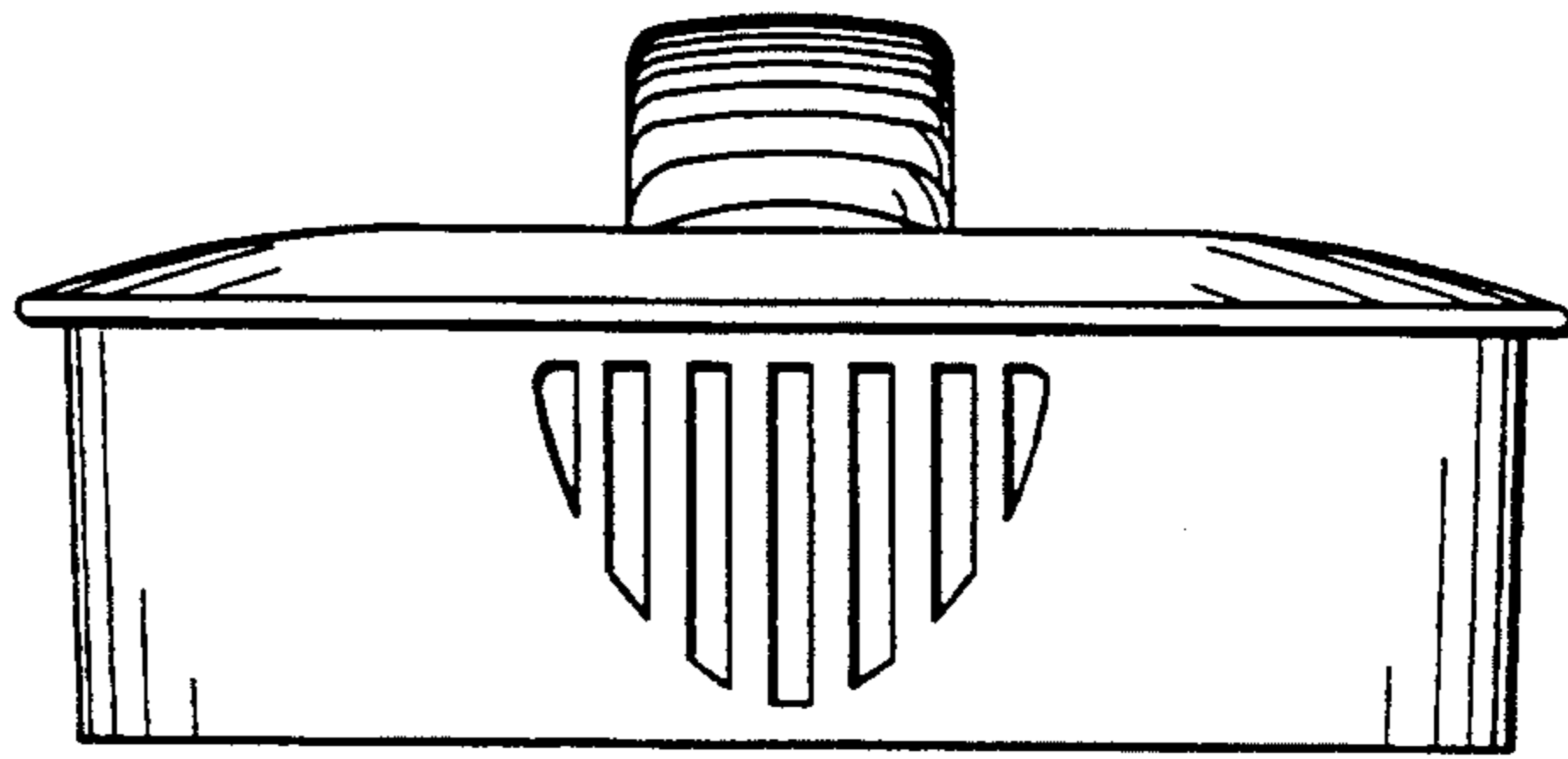


FIG. 6