



US00D351963S

# United States Patent [19]

[11] Patent Number: **Des. 351,963**

**Lim**

[45] Date of Patent: **\*\* Nov. 1, 1994**

## [54] COMPACT DISC CASE

[76] Inventor: **Jin-Kyu Lim**, Room 9 1503,  
Sampung Apartment, Sucho-dong,  
Sucho-ku, Seoul, Rep. of Korea

[\*] Notice: The portion of the term of this patent  
subsequent to Sep. 27, 2008 has been  
disclaimed.

[\*\*] Term: **14 Years**

[21] Appl. No.: **927,356**

[22] Filed: **Aug. 5, 1992**

[52] U.S. Cl. .... **D6/631; D6/627**

[58] Field of Search ..... **D3/30.1, 35, 74, 97;**  
**206/387, 316, 310, 444, 425; D6/631, 627;**  
**D17/75, 76**

## [56] References Cited

### U.S. PATENT DOCUMENTS

D. 304,880	12/1989	Pilosophe	.....	D3/35
D. 335,215	5/1993	Stumpff	.....	D3/35
4,708,239	11/1987	Bourbon	.....	206/387
4,843,511	6/1989	Downey	.....	D3/35
5,168,991	12/1992	Whitehead	.....	206/444

## FOREIGN PATENT DOCUMENTS

3927380	2/1991	Germany	.....	206/310
8404737	12/1984	WIPO	.....	206/316.1

*Primary Examiner*—A. Hugo Word  
*Assistant Examiner*—Celia A. Murphy  
*Attorney, Agent, or Firm*—Anthony J. Casella; Gerald  
E. Hespos

## [57] CLAIM

The ornamental design for a compact disc case, as  
shown and described.

## DESCRIPTION

FIG. 1 is a perspective view of a compact disc case  
showing my new design;  
FIG. 2 is a an exploded perspective view thereof;  
FIG. 3 is a front elevational view thereof;  
FIG. 4 is a rear elevational view thereof;  
FIG. 5 is a top plan of a top plan view thereof;  
FIG. 6 is a bottom plan view thereof;  
FIG. 7 is a left side elevational view thereof, the right  
side being a mirror image; and,  
FIG. 8 is a cross-sectional view taken on line A—A of  
FIG. 5.

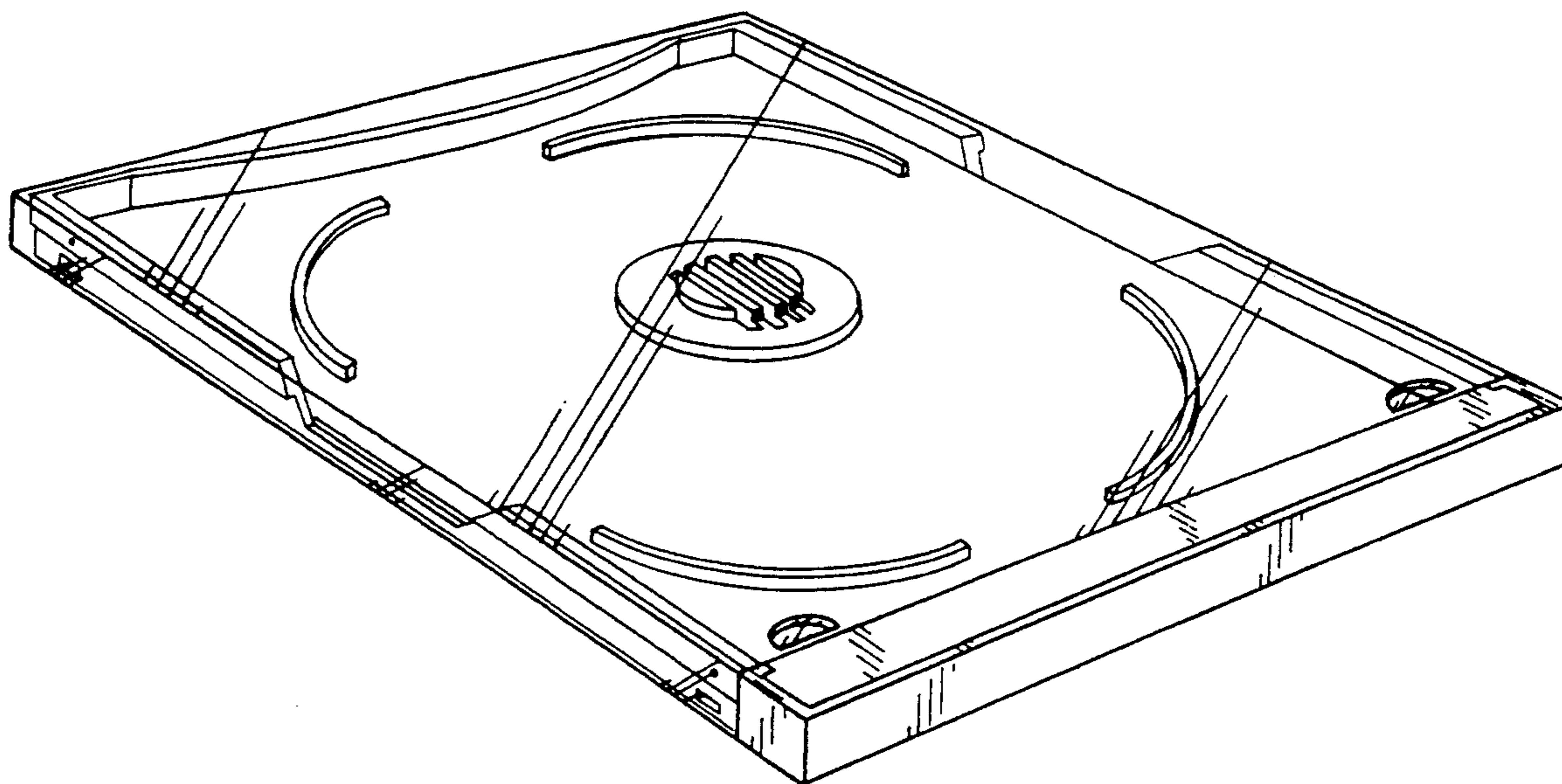


FIG. 1

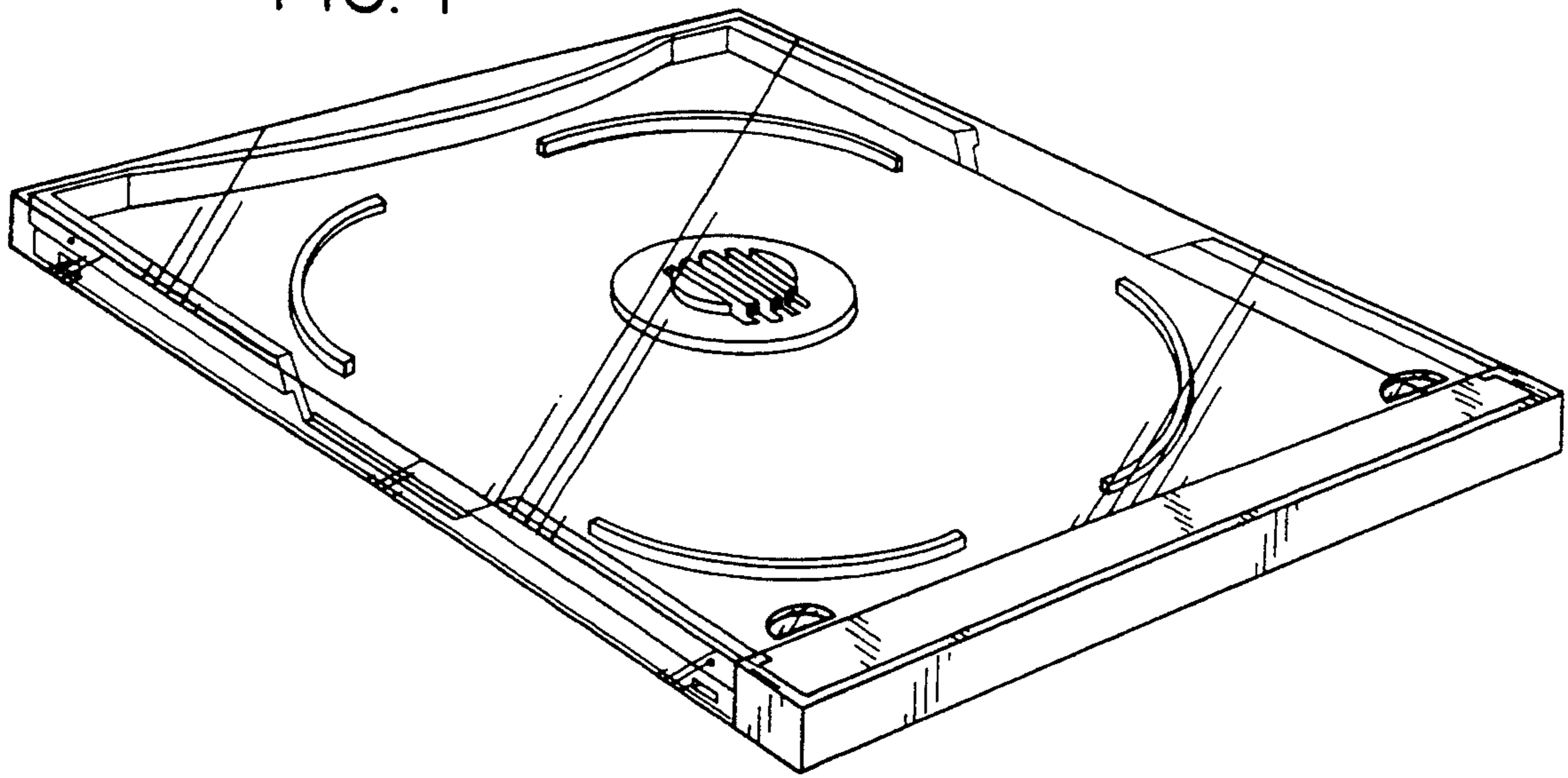


FIG. 2

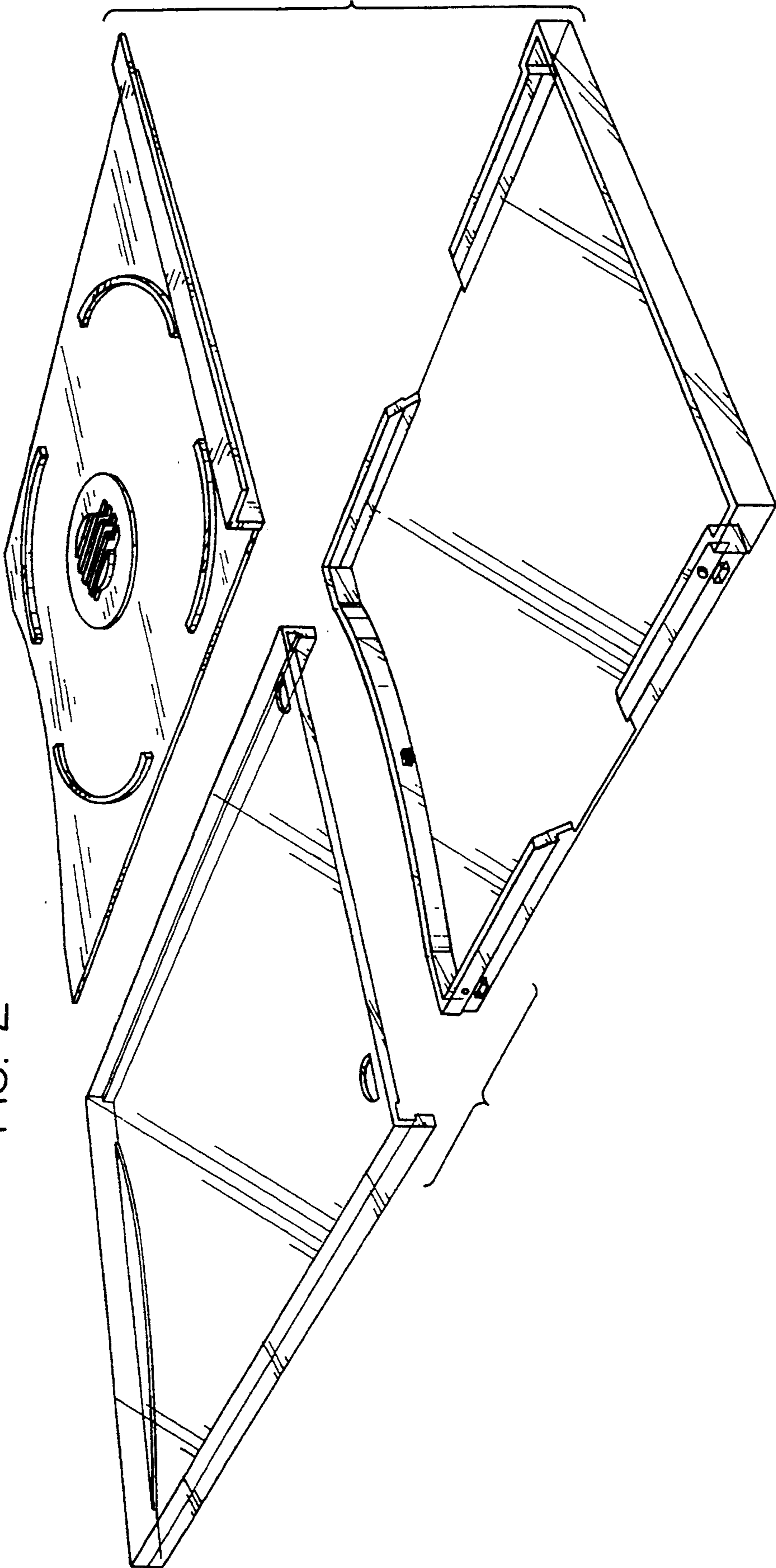


FIG. 3

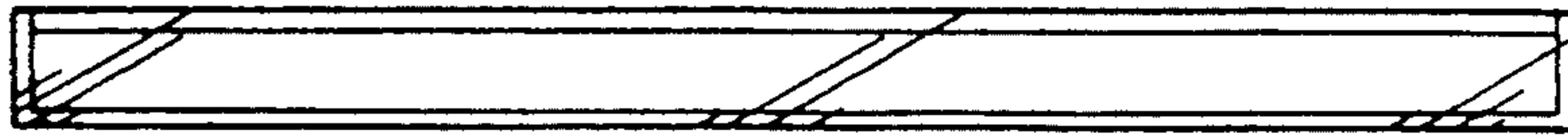
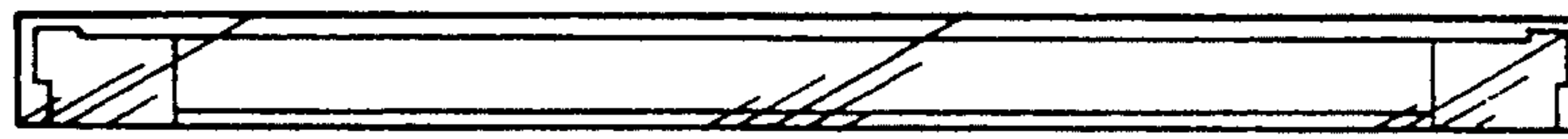
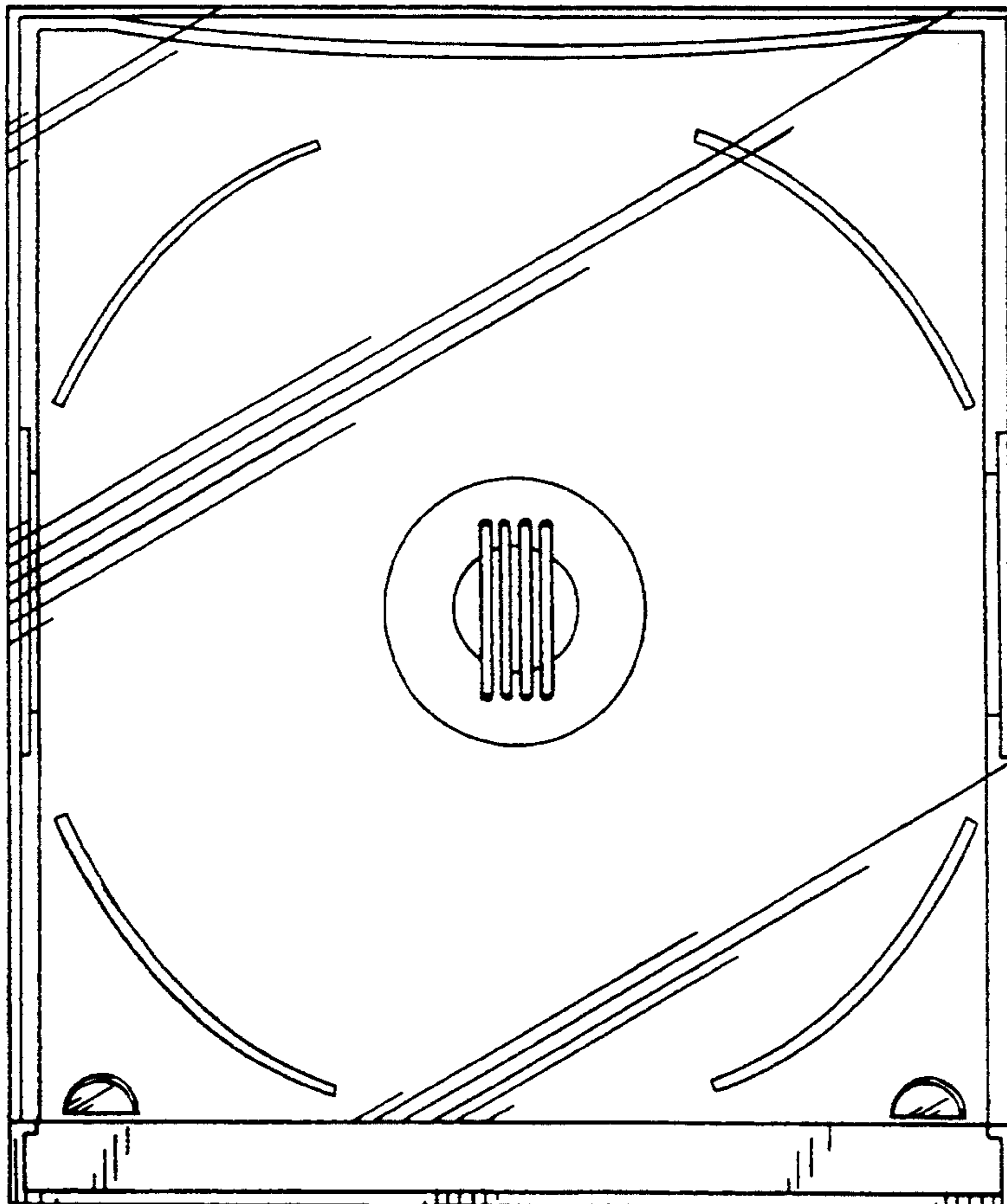


FIG. 4



8 ←

FIG. 5



8 ←

FIG. 6

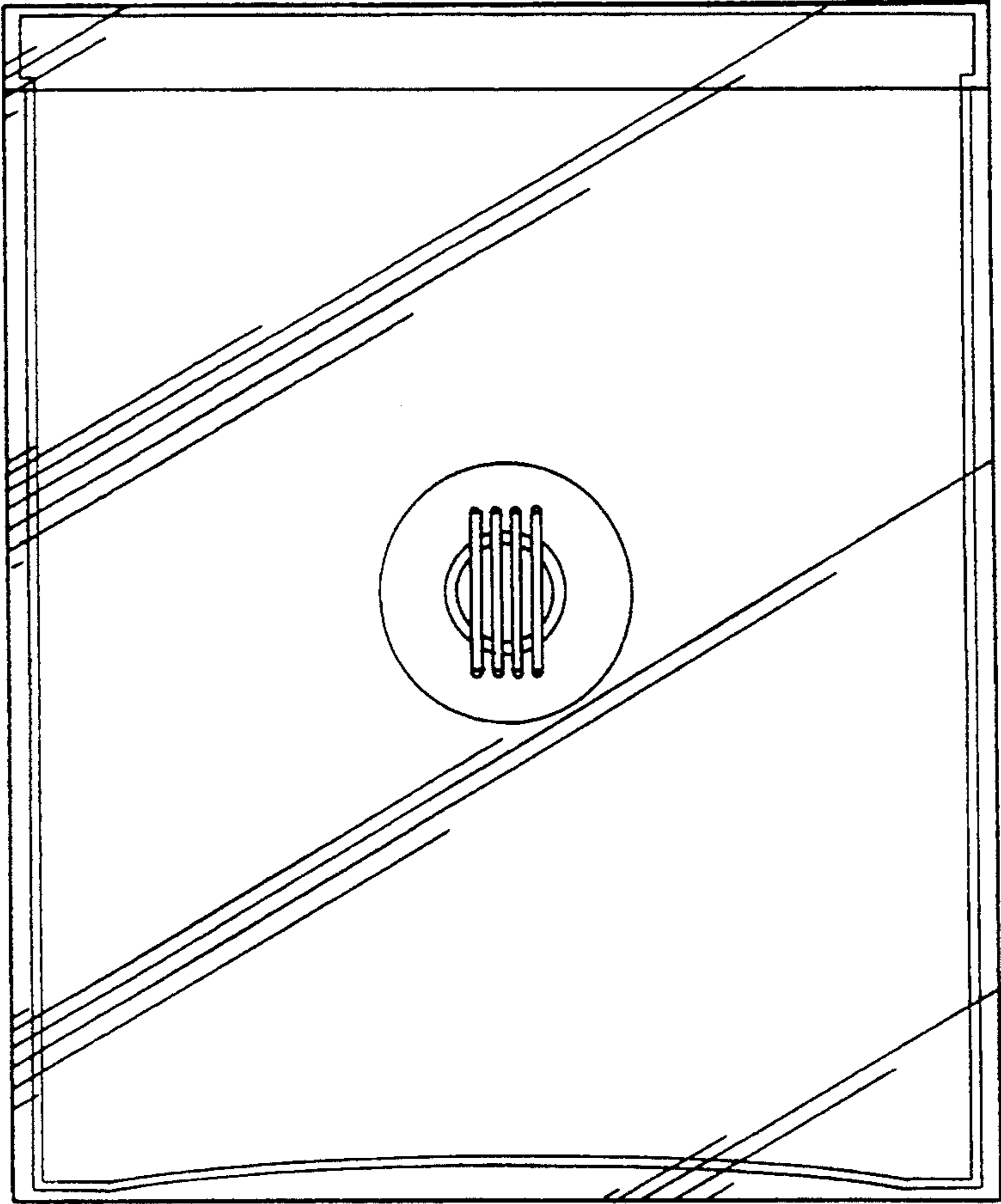


FIG. 7

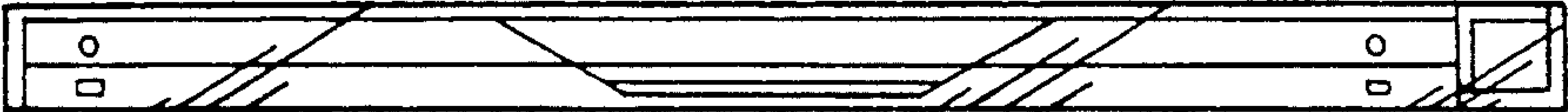


FIG. 8

