



US00D351958S

United States Patent [19]

[11] Patent Number: **Des. 351,958**

Ostroff

[45] Date of Patent: **** Nov. 1, 1994**

[54] **BELT DISPLAY DEVICE**

[75] Inventor: **Leonard Ostroff**, Montreal, Canada

[73] Assignee: **Arrow Manufacturing Incorporated**, Montreal, Canada

[**] Term: **14 Years**

[21] Appl. No.: **935,106**

[22] Filed: **Aug. 27, 1992**

[30] **Foreign Application Priority Data**

Aug. 14, 1992 [CA] Canada 1408921

[52] U.S. Cl. **D6/476**

[58] Field of Search **D6/464-470, D6/474-476; 211/126, 132, 133**

[56] **References Cited**

U.S. PATENT DOCUMENTS

D. 116,804	9/1939	Pilliod	D6/476 X
D. 167,862	9/1952	Schladermundt	D6/476 X
D. 180,987	9/1957	Ayres	D6/476 X
D. 197,543	2/1964	Muscatiello	D6/476 X
D. 225,479	12/1972	Zottola	D6/474 X
D. 254,528	3/1980	Reichman	D6/467
D. 345,474	3/1994	Harris	D6/467
4,753,385	6/1988	Phipps et al.	211/132 X

FOREIGN PATENT DOCUMENTS

1358 12/1897 Canada .

3011 3/1990 Canada .

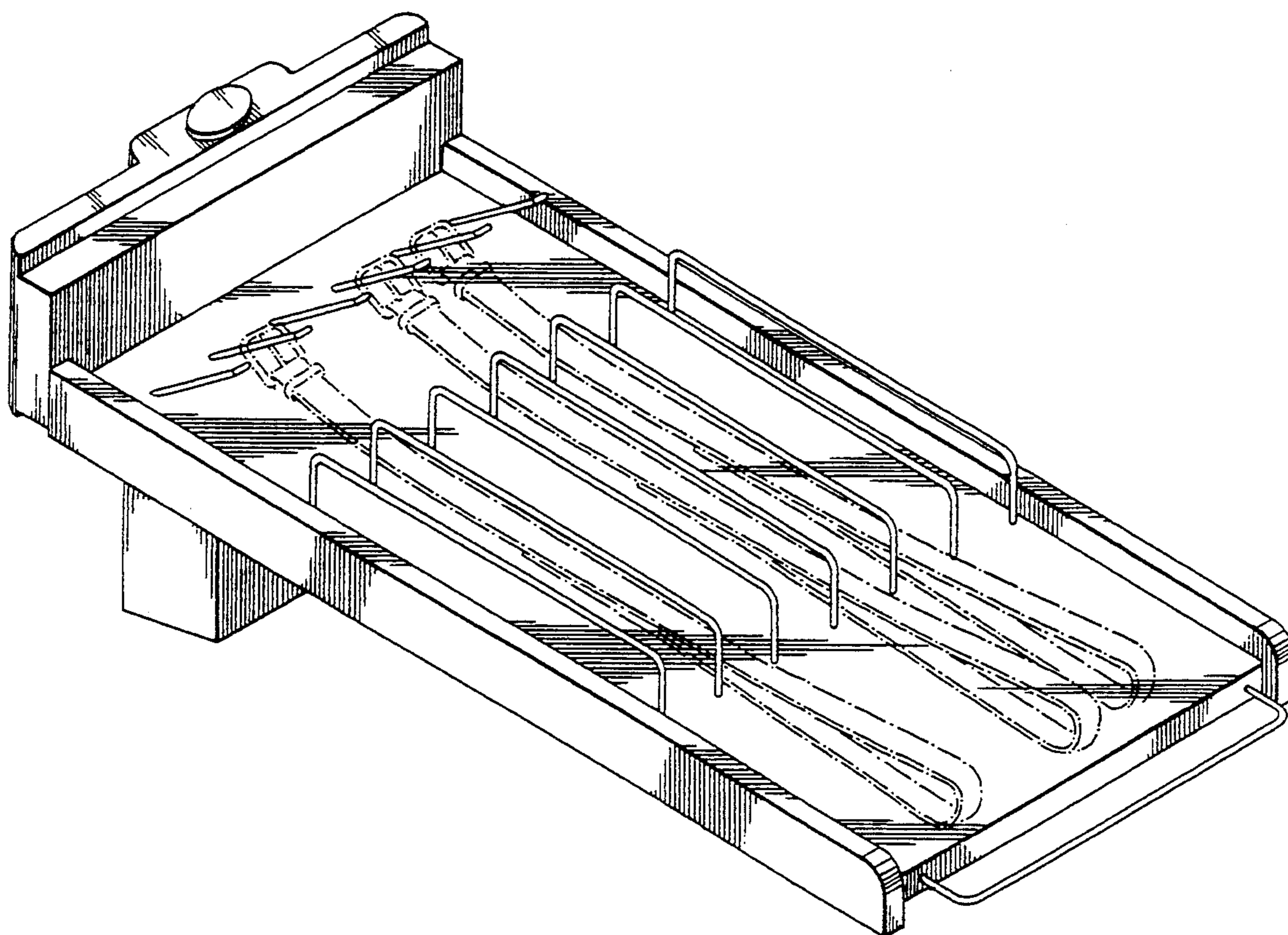
Primary Examiner—Alan P. Douglas
Assistant Examiner—S. Snapp
Attorney, Agent, or Firm—Beveridge, DeGrandi, Weilacher & Young

[57] **CLAIM**

The ornamental design for belt display device, shown.

DESCRIPTION

FIG. 1 is a top plan view of the display device; FIG. 2 is a bottom plan view of the same device; FIGS. 3 and 4 are opposite side views of the same device; FIG. 5 is a front end view of the same device with the main surface thereof held horizontal; FIG. 6 is a rear end view of the same device, with the main surface thereof held horizontal; and, FIG. 7 is a front perspective view of the same device, in which the positions of belts being displayed is indicated. The dashed line representations of belts as shown in FIG. 7 are for illustrative purposes only and do not form any part of the claimed design.



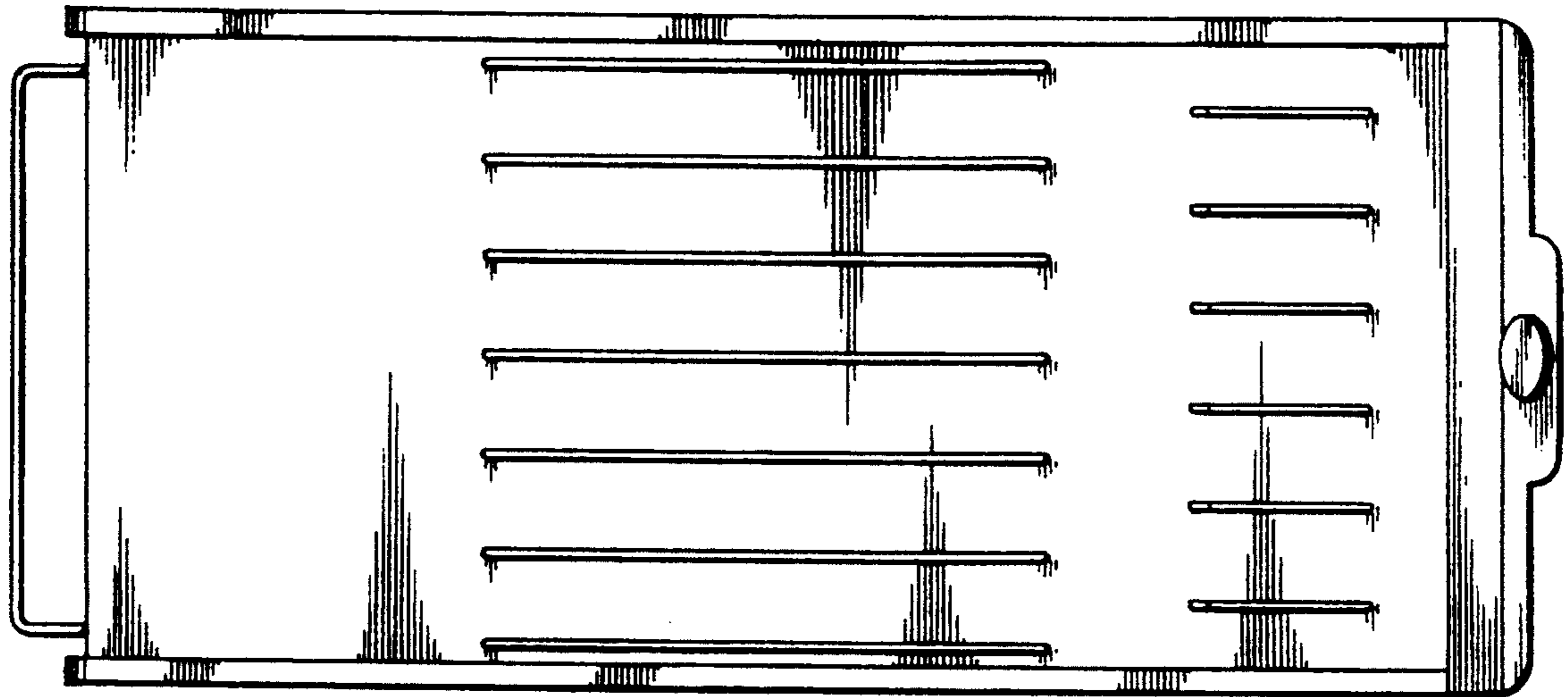


FIG. 1

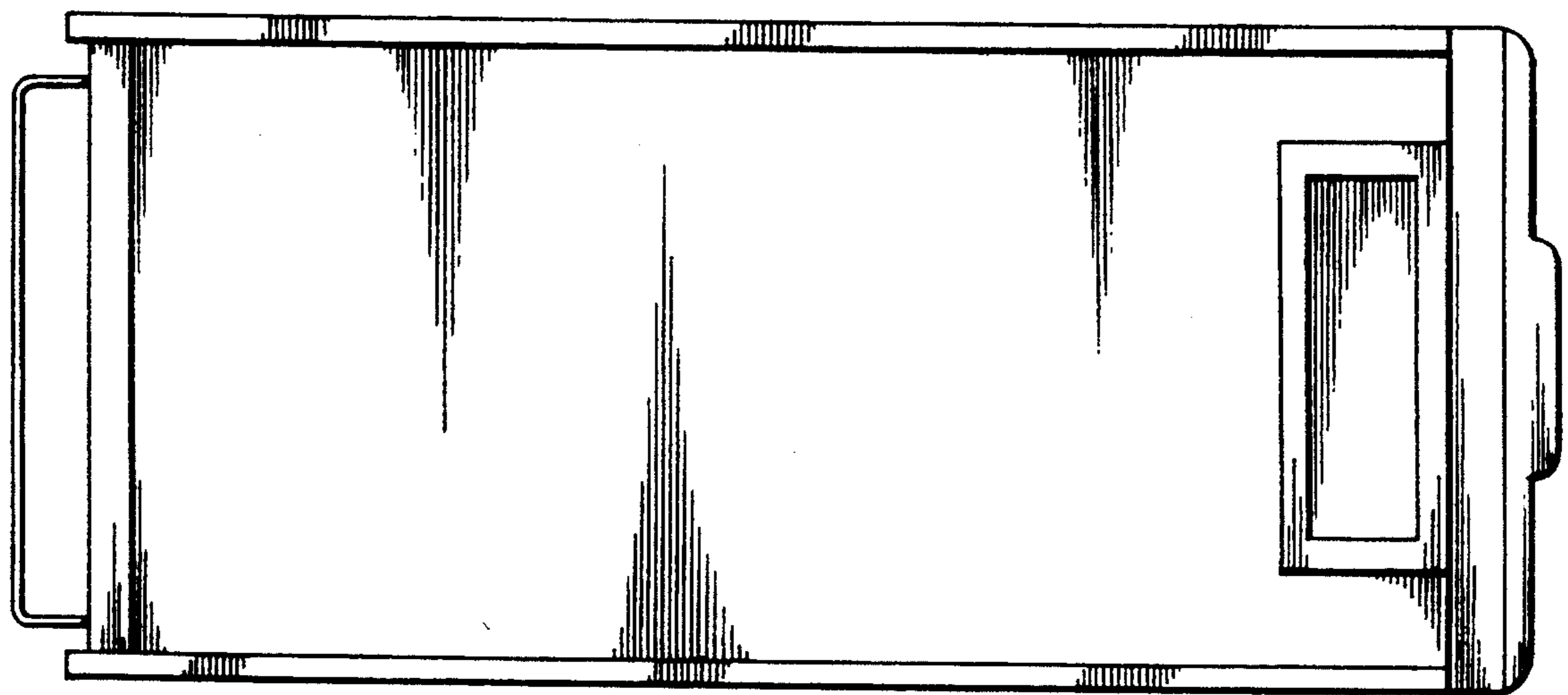


FIG. 2

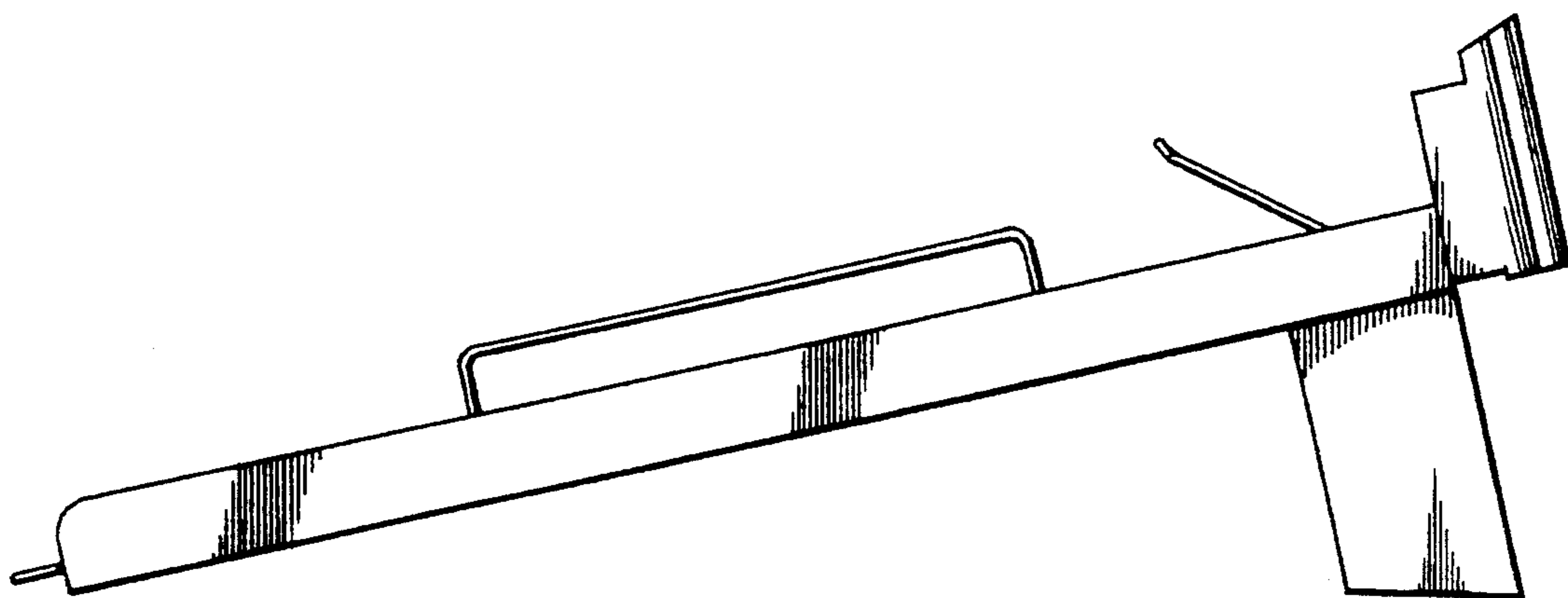


FIG. 3

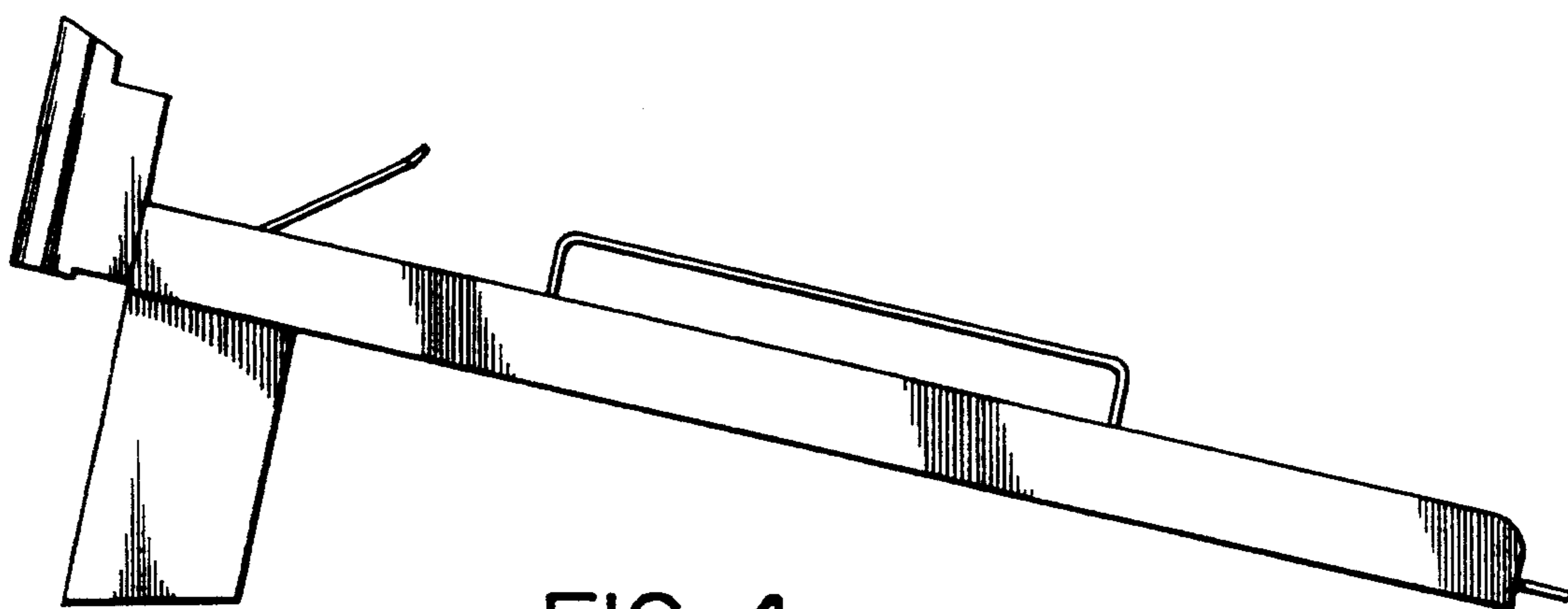


FIG. 4

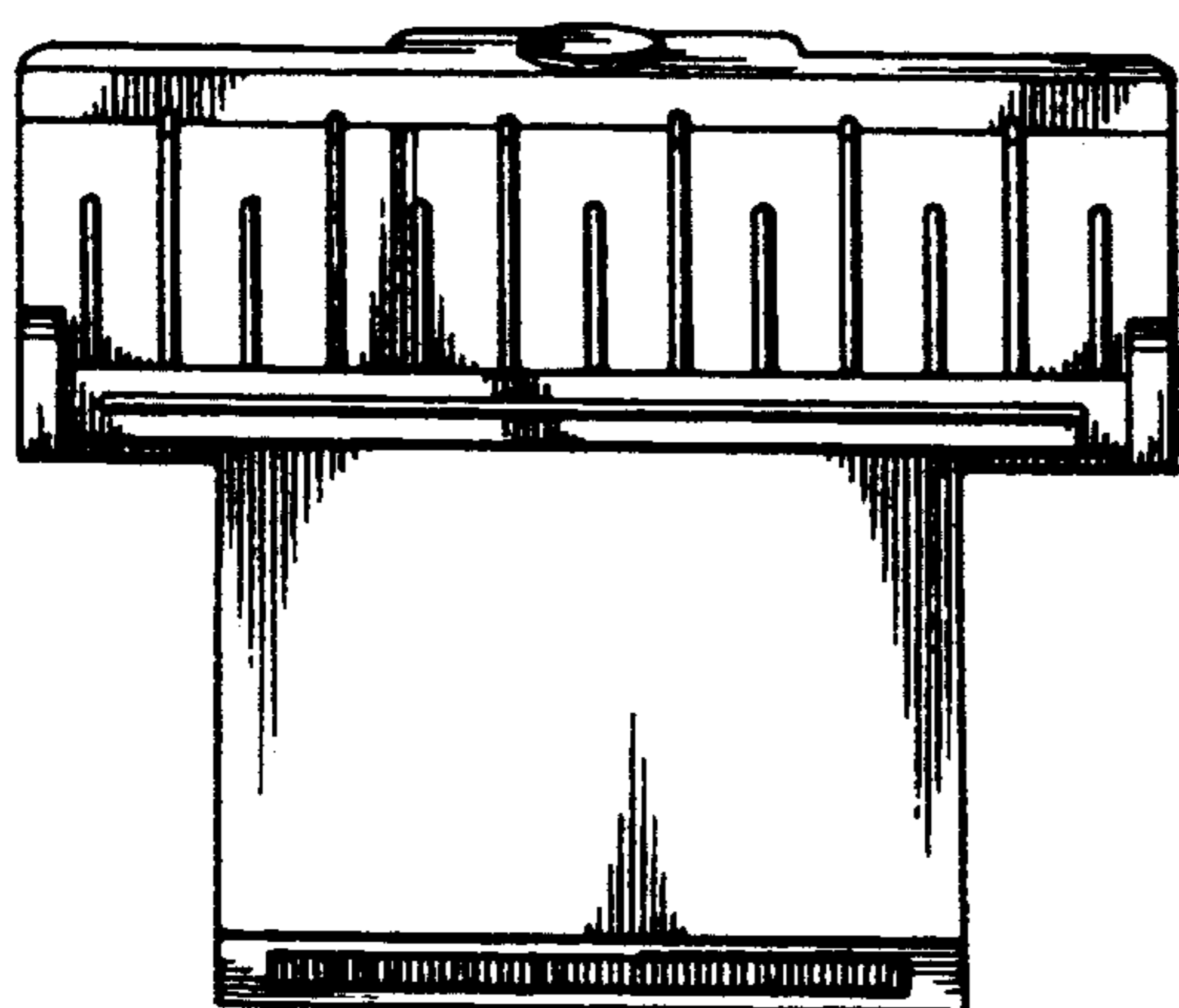


FIG. 5

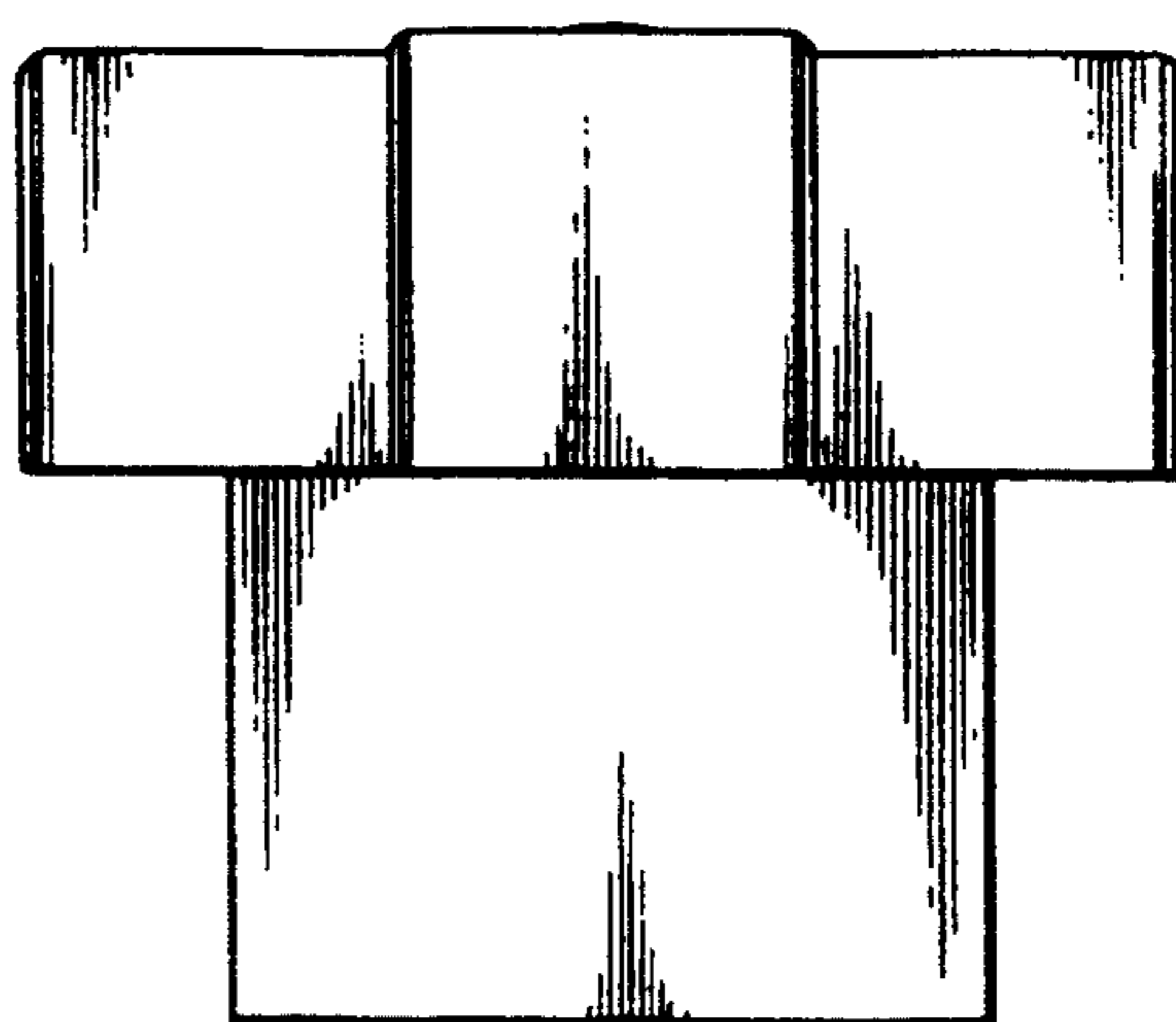


FIG. 6

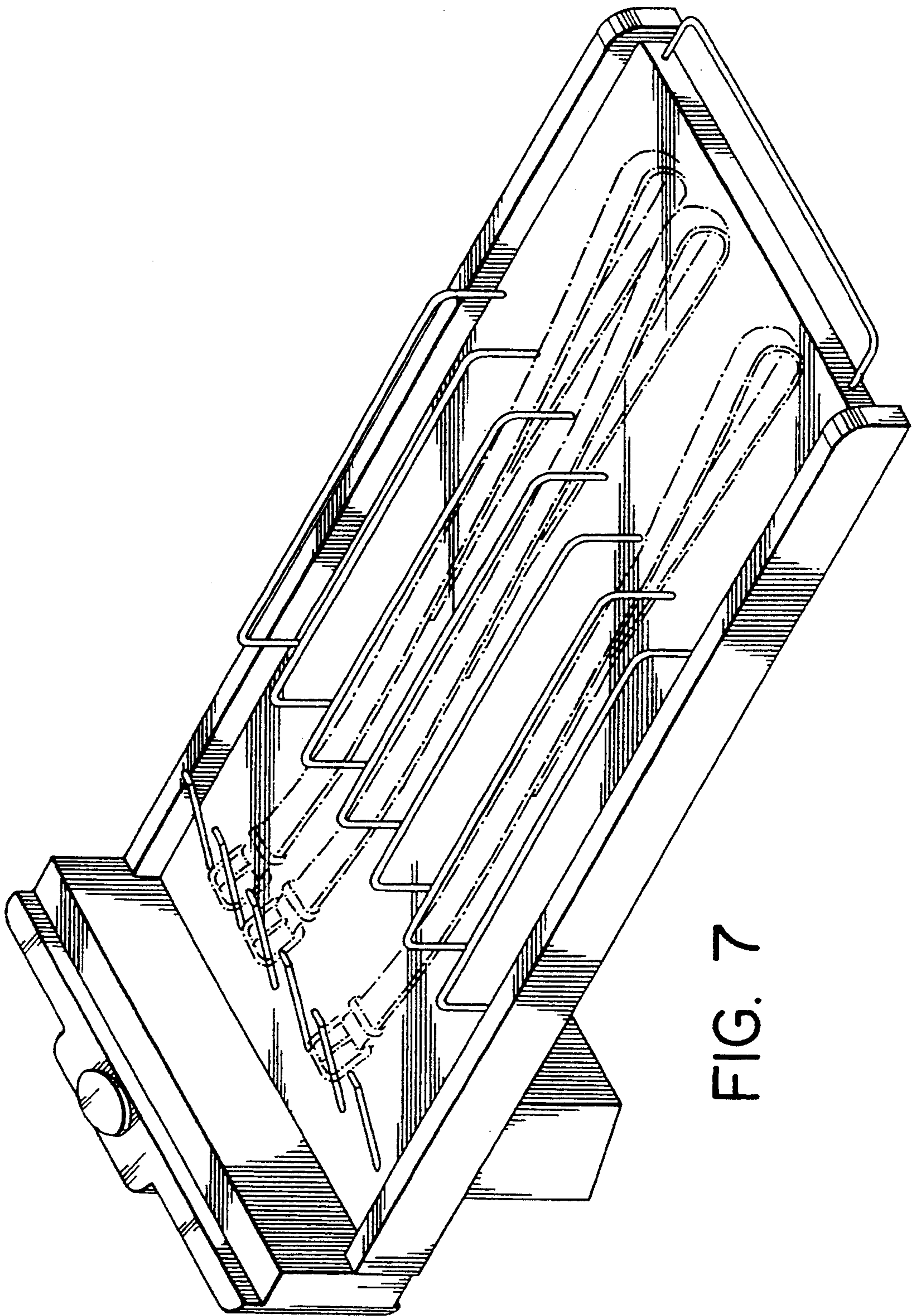


FIG. 7