



US00D351957S

United States Patent [19]

[11] Patent Number: **Des. 351,957**

Bumb

[45] Date of Patent: **** Nov. 1, 1994**

[54] **DISPLAY RACK**

[75] Inventor: **Joseph M. Bumb**, San Jose, Calif.

[73] Assignee: **Ageless Tangible Assets, Inc.**, San Jose, Calif.

[**] Term: **14 Years**

[21] Appl. No.: **250**

[22] Filed: **Oct. 9, 1992**

D. 281,477	11/1985	Neff	D6/449 X
D. 283,861	5/1986	Cantolino	D6/475
D. 296,397	6/1988	Lugley	D6/476
D. 303,051	8/1989	Steed	D6/475
D. 309,527	7/1990	Singer	D3/30.1 X
D. 311,837	11/1990	Suttles	D6/476 X
D. 319,130	8/1991	Williams	D34/40
D. 326,197	5/1992	Heiligenthal	D6/474
D. 330,987	11/1982	Rosenthal	D6/476
D. 333,052	2/1993	Bumb	D6/476
3,086,658	4/1963	Palmer	211/50

Related U.S. Application Data

[63] Continuation-in-part of Ser. No. 703,142, May 17, 1991, Pat. No. Des. 333,052.

[52] U.S. Cl. **D6/475; D6/476; D6/471**

[58] Field of Search **D6/475, 474, 476, 471, D6/477, 396, 419, 421, 429, 437, 449, 469, 479, 480; 312/116, 138.1, 140.1, 209, 242; 211/70.2, 90, 186; 108/88, 66, 59; 493/946**

[56] **References Cited**

U.S. PATENT DOCUMENTS

D. 101,402	9/1936	Rose	D6/471
D. 129,718	9/1941	West	D6/475
D. 157,575	3/1950	Edelmann	D9/341
D. 249,214	9/1978	Rothman	D6/471
D. 263,538	3/1982	Briggs et al.	D6/408
D. 265,448	7/1982	Liptak	D6/471
D. 274,296	6/1984	Liptak	D6/475

OTHER PUBLICATIONS

View Rite catalog, date Feb. 28, 1986, item at center left, pp. AP-21.

Display Innovations in Aciytic, items 1460, 1478 & 1421, p. 12.

Primary Examiner—Nelson C. Holtje

Assistant Examiner—S. Snapp

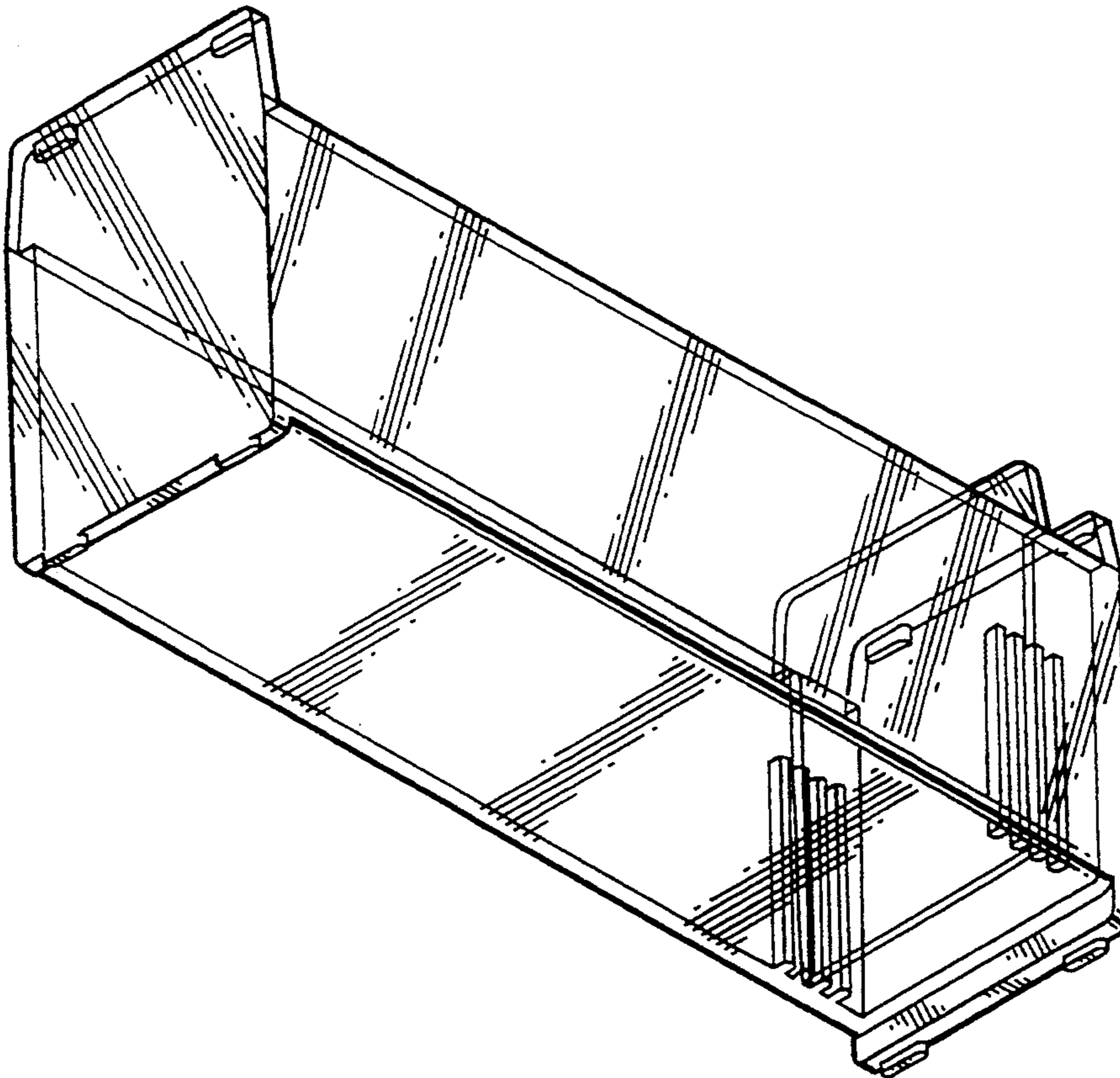
Attorney, Agent, or Firm—Phillips, Moore, Lempio & Finley

[57] **CLAIM**

The ornamental design for a display rack, as shown and described.

DESCRIPTION

FIG. 1 is a perspective view from above and the right; FIG. 2 is a side view from the left; FIG. 3 is a front view; and, FIG. 4 is a perspective view from above and the left.



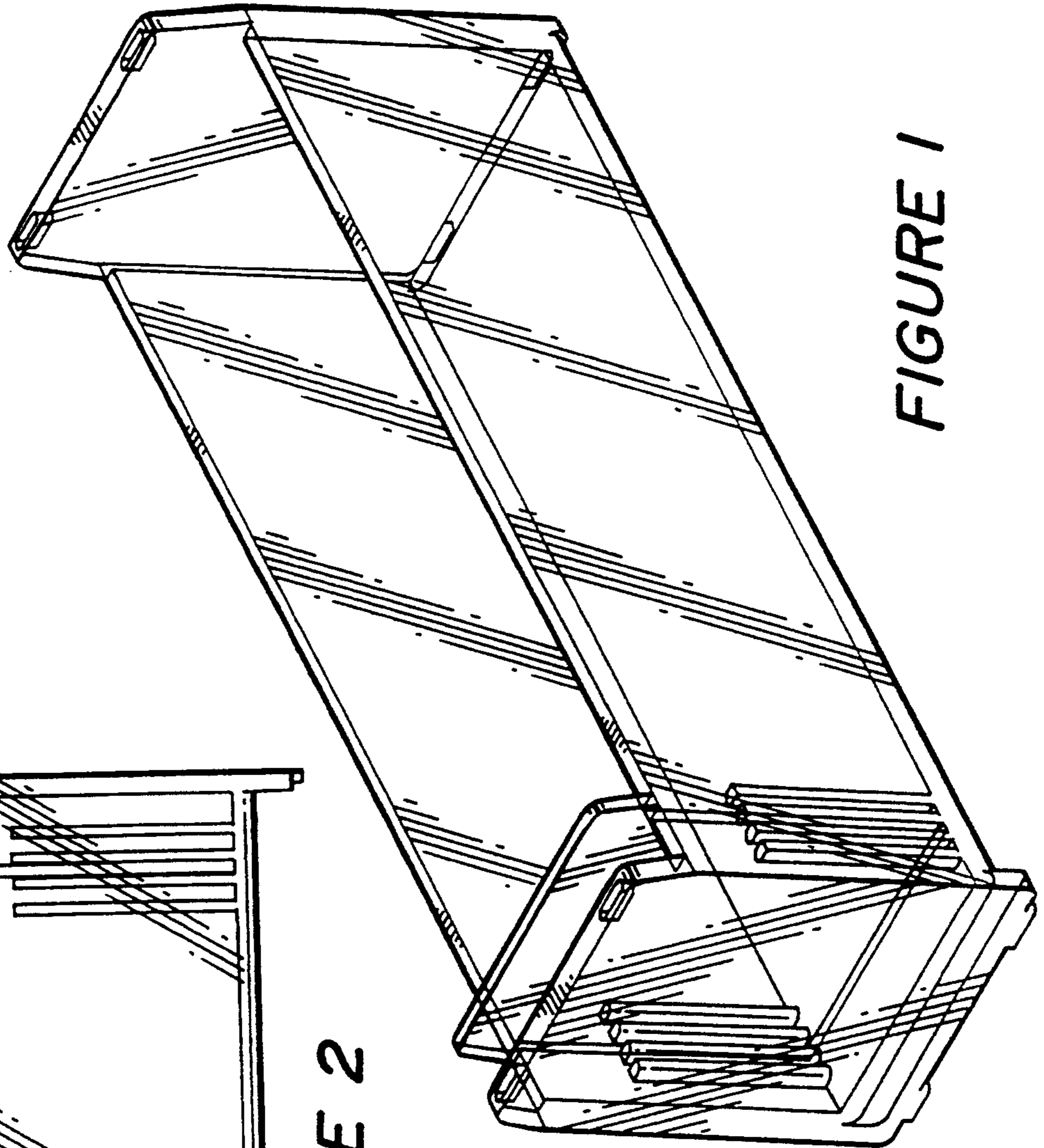


FIGURE 1

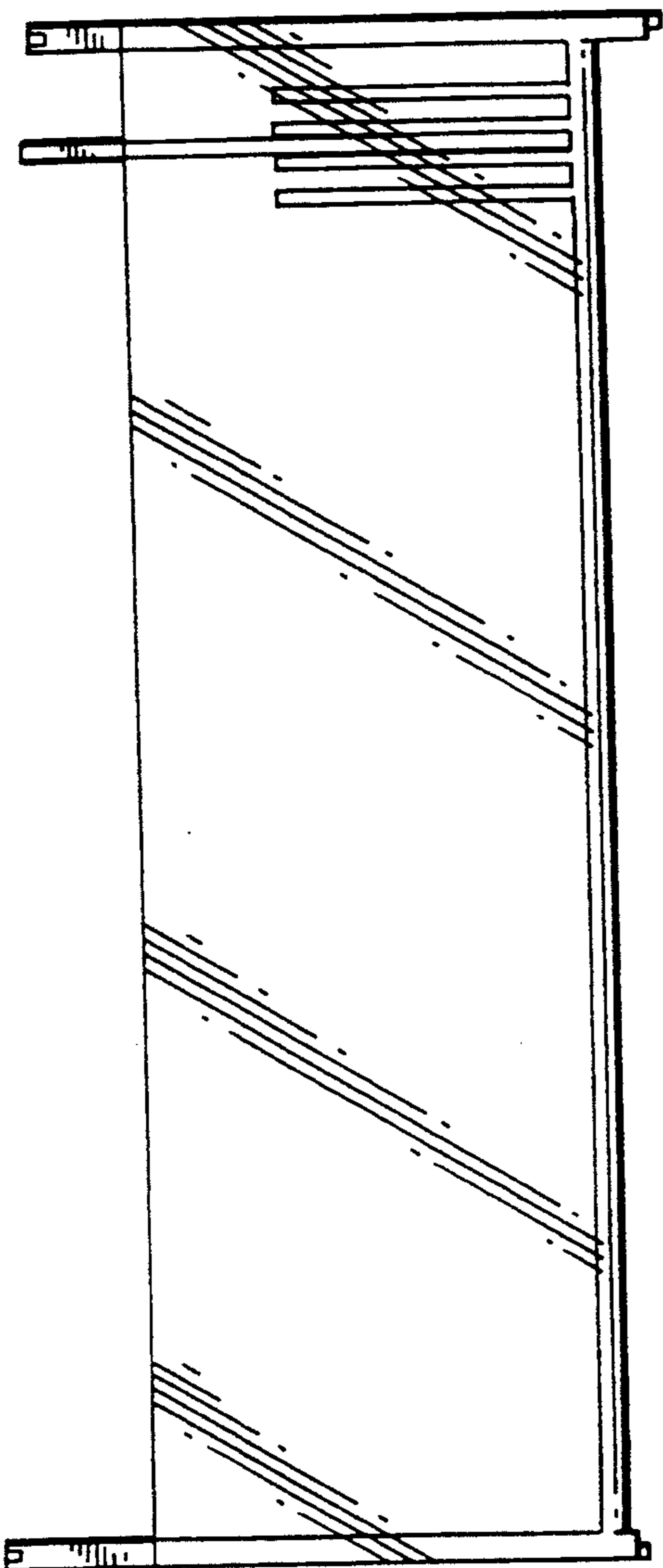


FIGURE 2

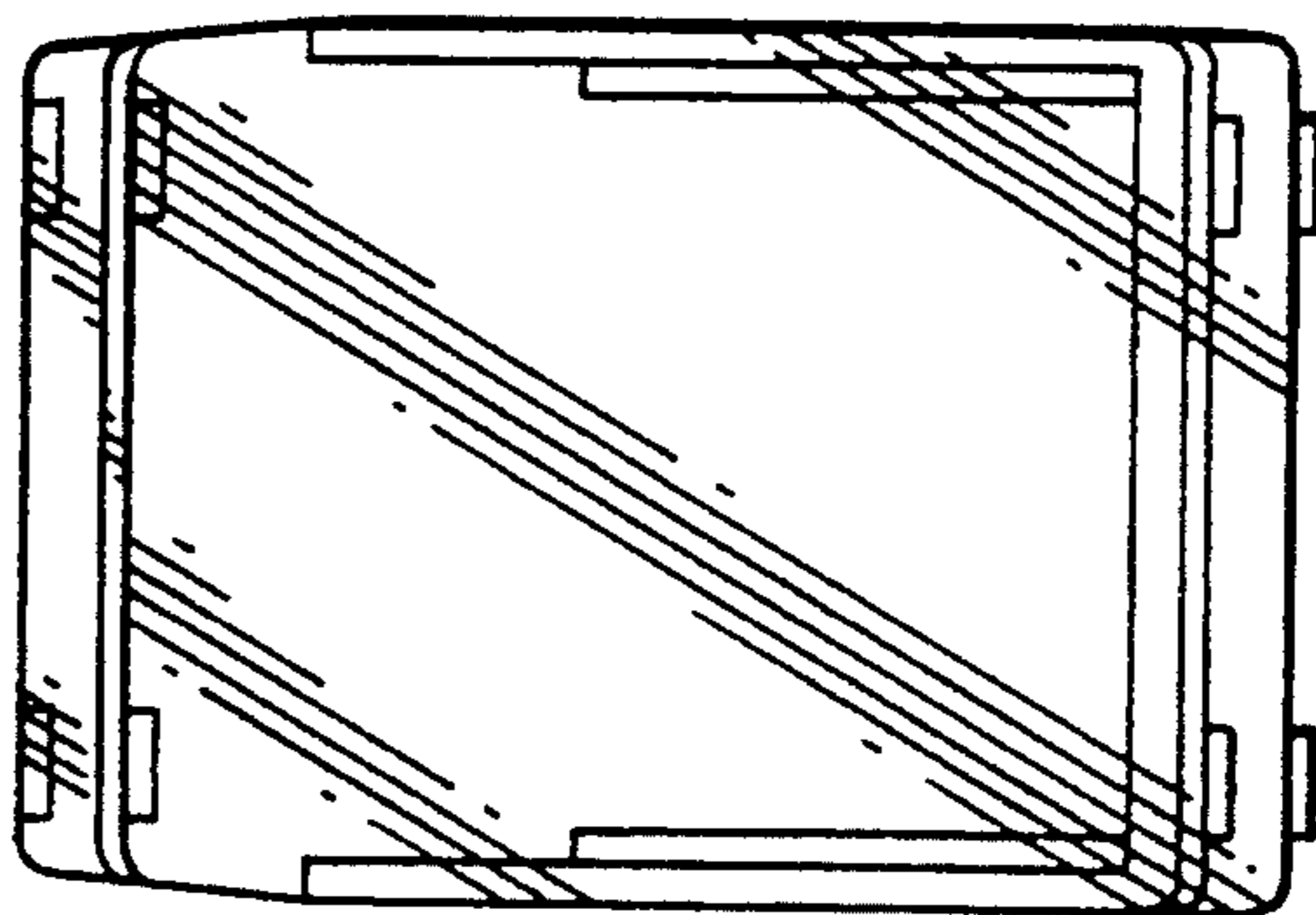


FIGURE 3

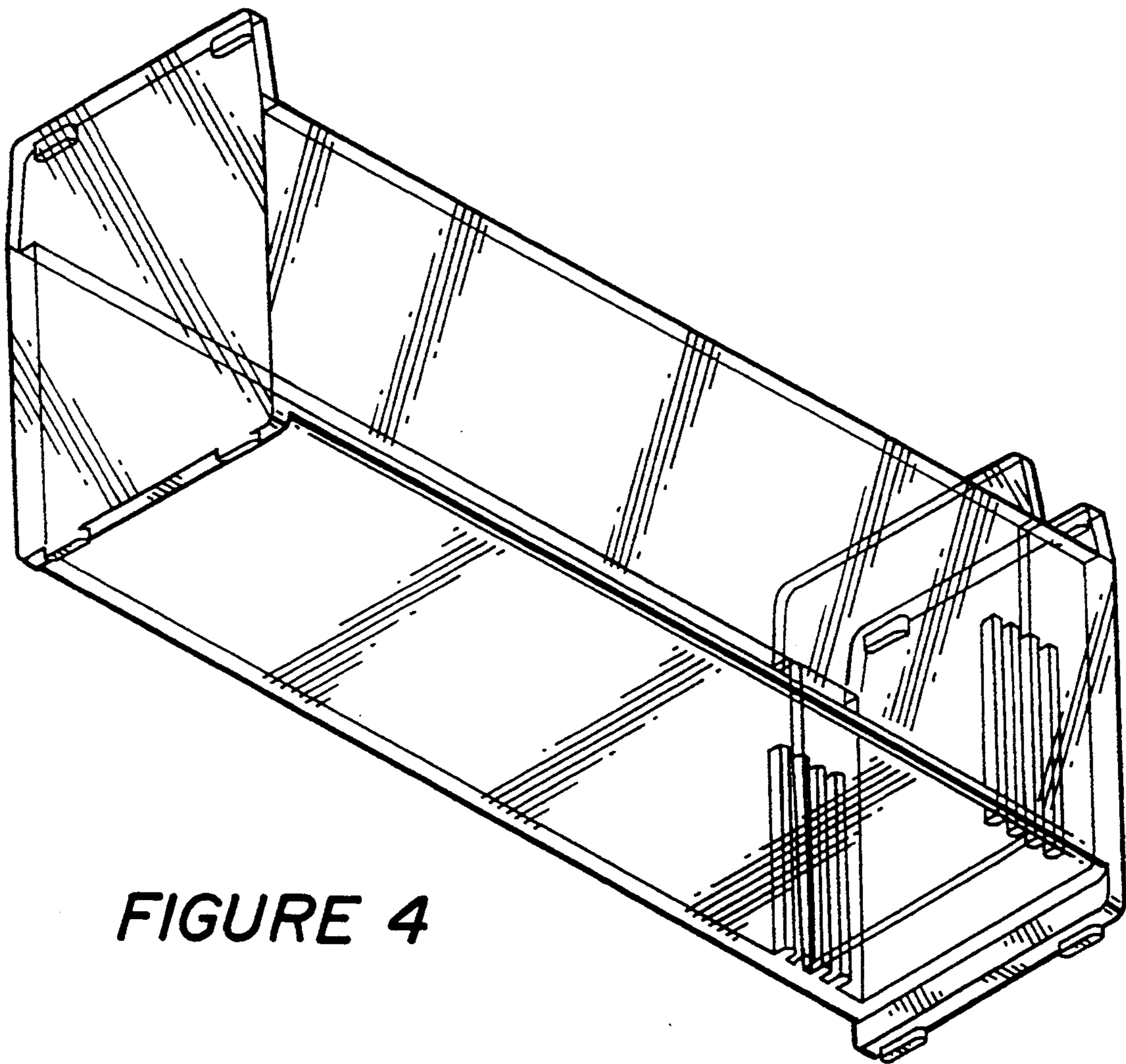


FIGURE 4