



US00D351955S

United States Patent [19]

[11] Patent Number: **Des. 351,955**

Ennis

[45] Date of Patent: **** Nov. 1, 1994**

[54] **SPECTACLE DISPLAY SYSTEM**

[76] Inventor: **Jan S. Ennis**, 16709 NE. 41st St.,
Redmond, Wash. 98052

[**] Term: **14 Years**

[21] Appl. No.: **5,674**

[22] Filed: **Mar. 8, 1993**

[52] U.S. Cl. **D6/466**

[58] Field of Search **D6/465, 466, 467, 468,
D6/469; D3/34; 248/902; 211/13, 22, 27, 126,
133; D16/129**

| | | | |
|-----------|---------|----------------------|-----------|
| 4,204,602 | 5/1980 | Dunchock | 211/13 |
| 4,541,534 | 9/1985 | Strauss | 211/13 |
| 4,558,788 | 12/1985 | Grothaus | 211/13 |
| 4,609,975 | 9/1986 | Badolato et al. | 362/125 |
| 4,614,272 | 9/1986 | Shelton et al. | 211/163 |
| 4,695,026 | 9/1987 | Medley, Jr. | 248/316.5 |
| 4,724,966 | 2/1988 | Benaksas | 211/13 |
| 4,787,520 | 11/1988 | Pearson | 211/13 |
| 4,805,781 | 2/1989 | Tegel | 211/13 |
| 4,830,203 | 5/1989 | Ennis | 211/105.2 |
| 4,830,480 | 5/1989 | Ennis | 351/158 |
| 4,878,641 | 11/1989 | Vogt | 248/309.1 |
| 4,903,925 | 2/1990 | Park | 248/206.1 |
| 4,930,740 | 6/1990 | Vogt | 248/309.1 |
| 5,069,416 | 12/1991 | Ennis | 248/902 |

[56] **References Cited**

U.S. PATENT DOCUMENTS

| | | | |
|------------|---------|--------------------|-----------|
| Re. 33,596 | 5/1991 | Ennis | 211/105.2 |
| D. 141,791 | 7/1945 | Siegel | D6/466 |
| D. 151,462 | 10/1948 | Mealy | D6/467 |
| D. 161,665 | 1/1951 | Vermann | D6/466 |
| D. 209,359 | 11/1967 | Schuler | D6/466 |
| D. 269,619 | 7/1983 | Engelmann | D6/466 |
| 319,293 | 6/1985 | Merritt . | |
| 595,253 | 12/1897 | Sankey . | |
| 614,933 | 11/1898 | Christianus . | |
| 1,661,516 | 3/1928 | Vineberg . | |
| 2,884,219 | 4/1959 | Glover | 248/305 |
| 2,884,220 | 4/1959 | Manley | 248/902 |
| 2,958,495 | 11/1960 | Foster | 248/902 |
| 3,351,208 | 11/1967 | Siegel | 211/13 |
| 3,552,701 | 1/1971 | Montagano | 248/309 |
| 3,857,482 | 12/1974 | Shelton | 206/72 |
| 3,924,750 | 12/1975 | Dunchock | 211/13 |
| 4,011,953 | 3/1977 | Engelman | 211/13 |
| 4,128,224 | 12/1978 | Guichard | 248/316 |
| 4,180,921 | 1/1980 | Elbaum et al. | 35/59 |

FOREIGN PATENT DOCUMENTS

2024003 1/1980 United Kingdom A47F 7/00

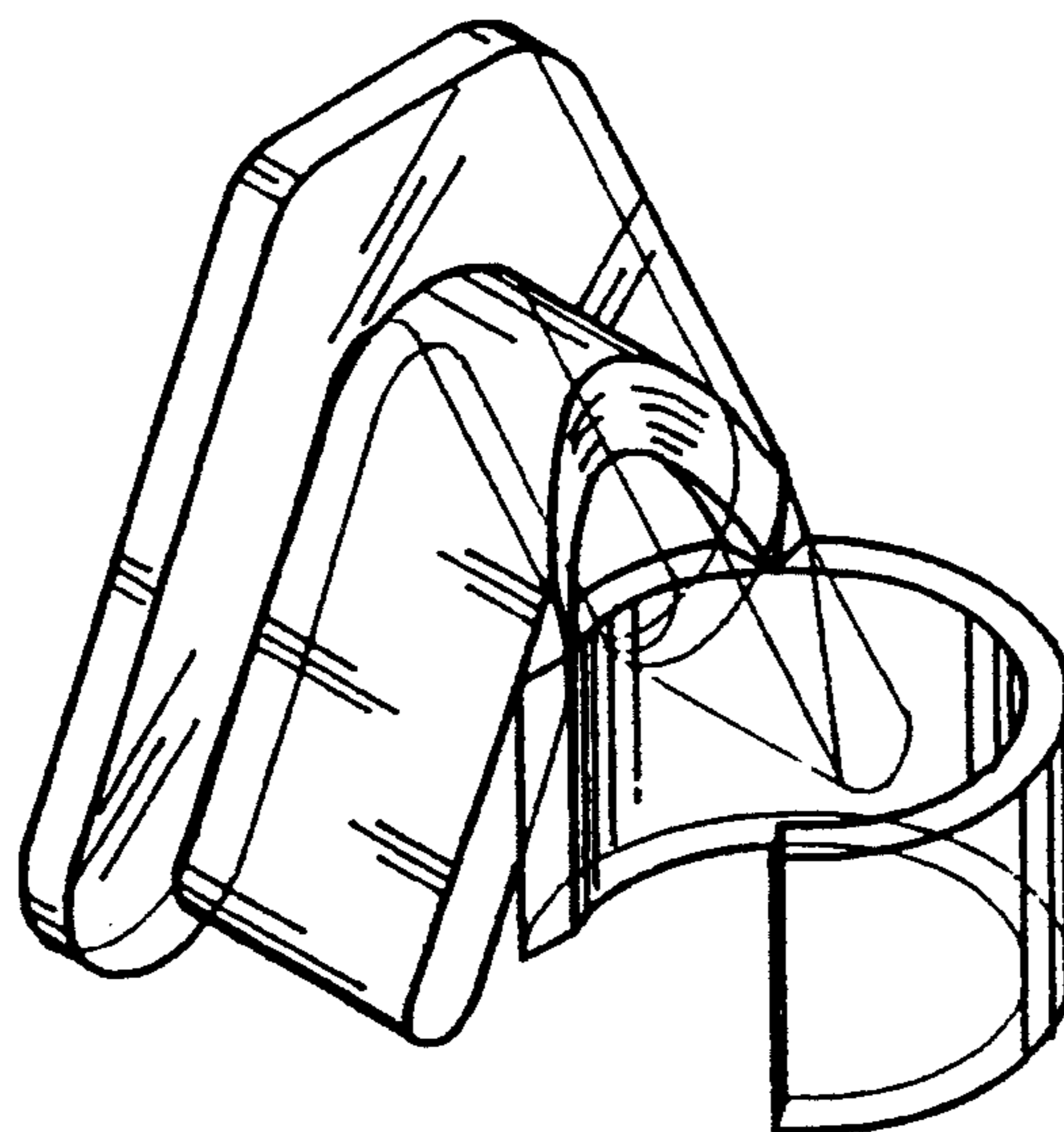
Primary Examiner—Alan P. Douglas
Assistant Examiner—S. Snapp
Attorney, Agent, or Firm—James Richard Vance

[57] **CLAIM**

The ornamental design for the spectacle display system, as shown and described.

DESCRIPTION

FIG. 1 is a back isometric view of the spectacle display system of my invention;
FIG. 2 is a front elevational view thereof;
FIG. 3 is a back elevational view thereof;
FIG. 4 is a right side elevational view thereof;
FIG. 5 is a left side elevational view thereof;
FIG. 6 is a top plan view thereof;
FIG. 7 is a bottom plan view thereof; and,
FIG. 8 is a front isometric view thereof.



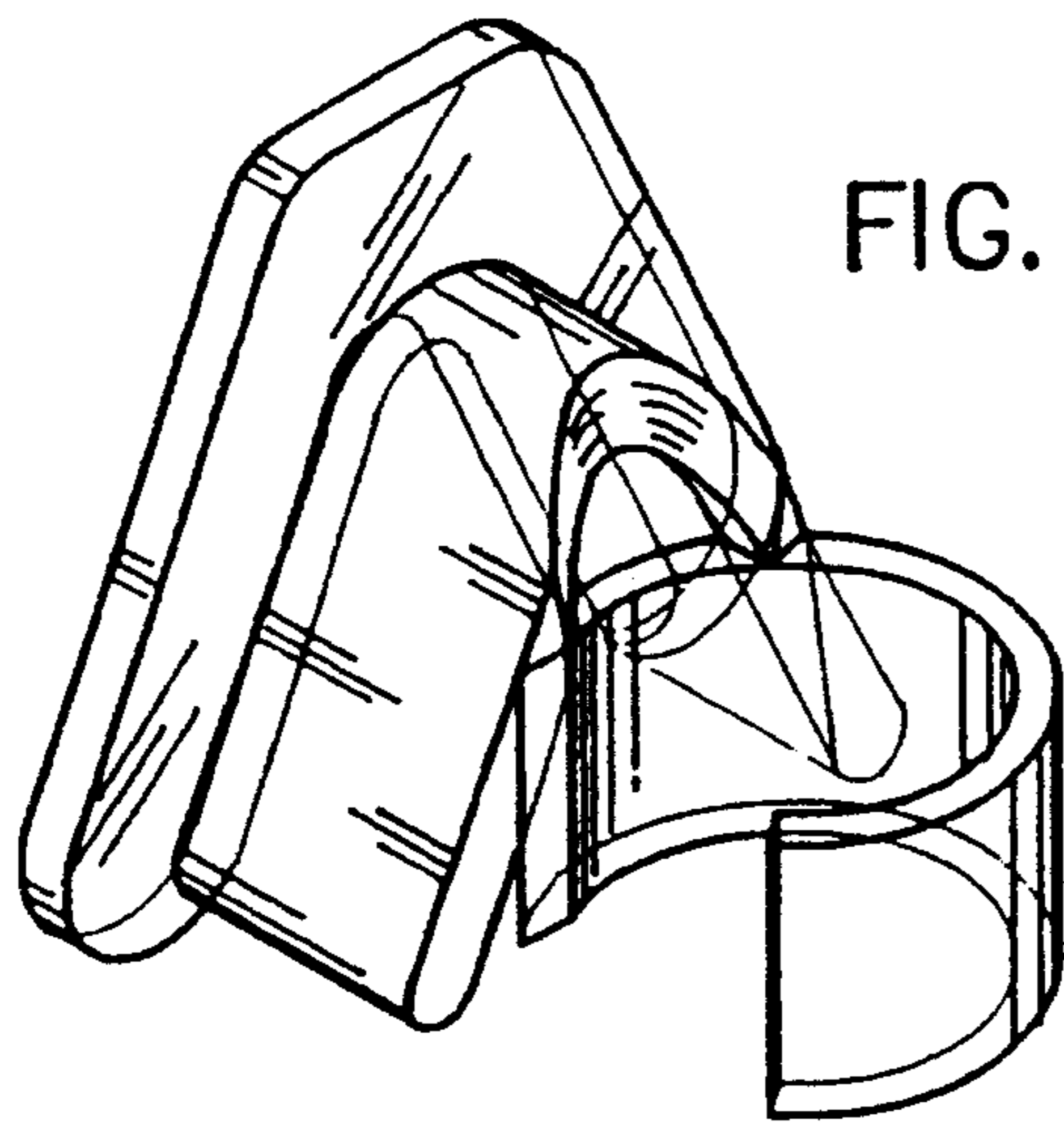


FIG. 1

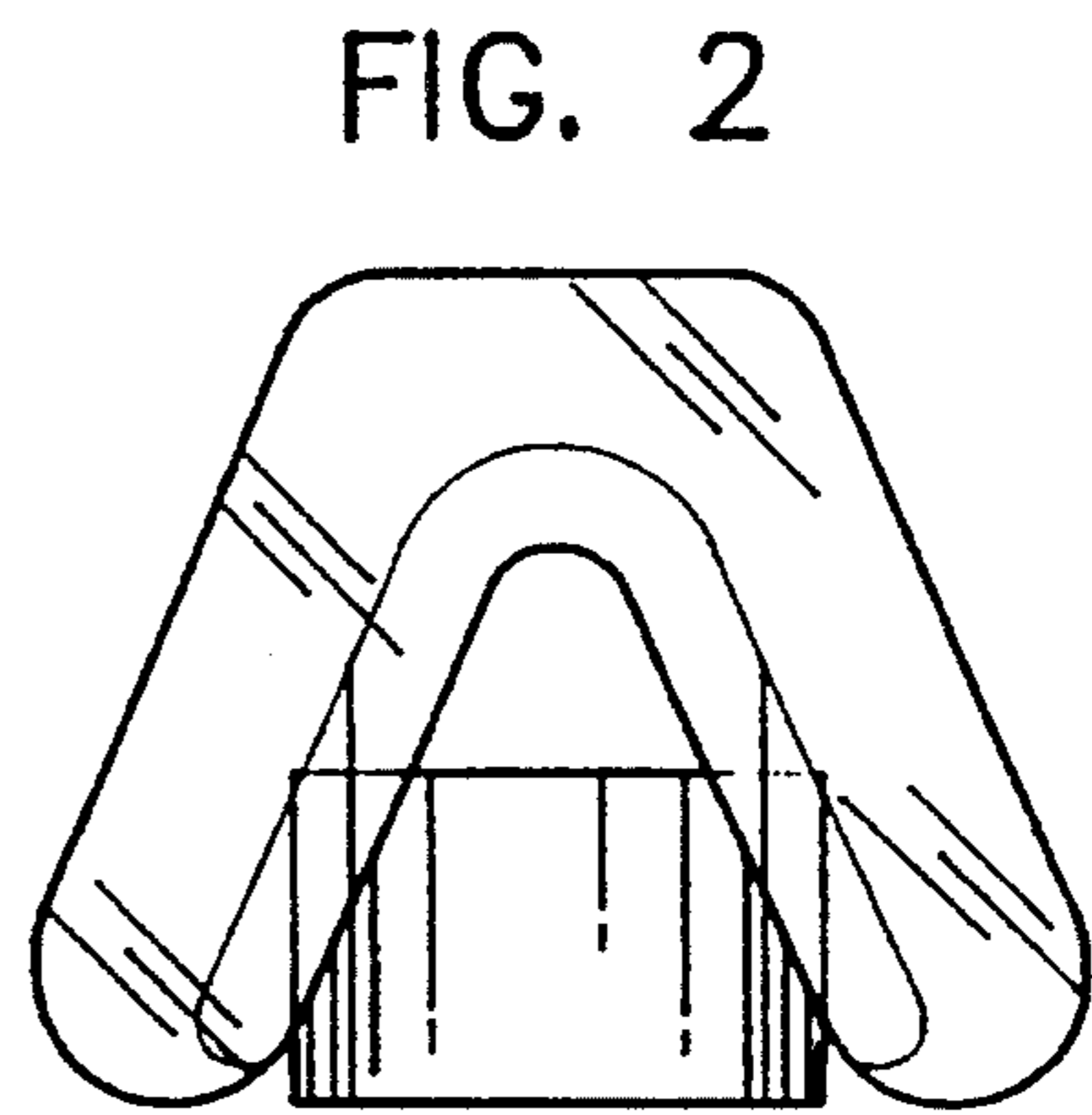


FIG. 2

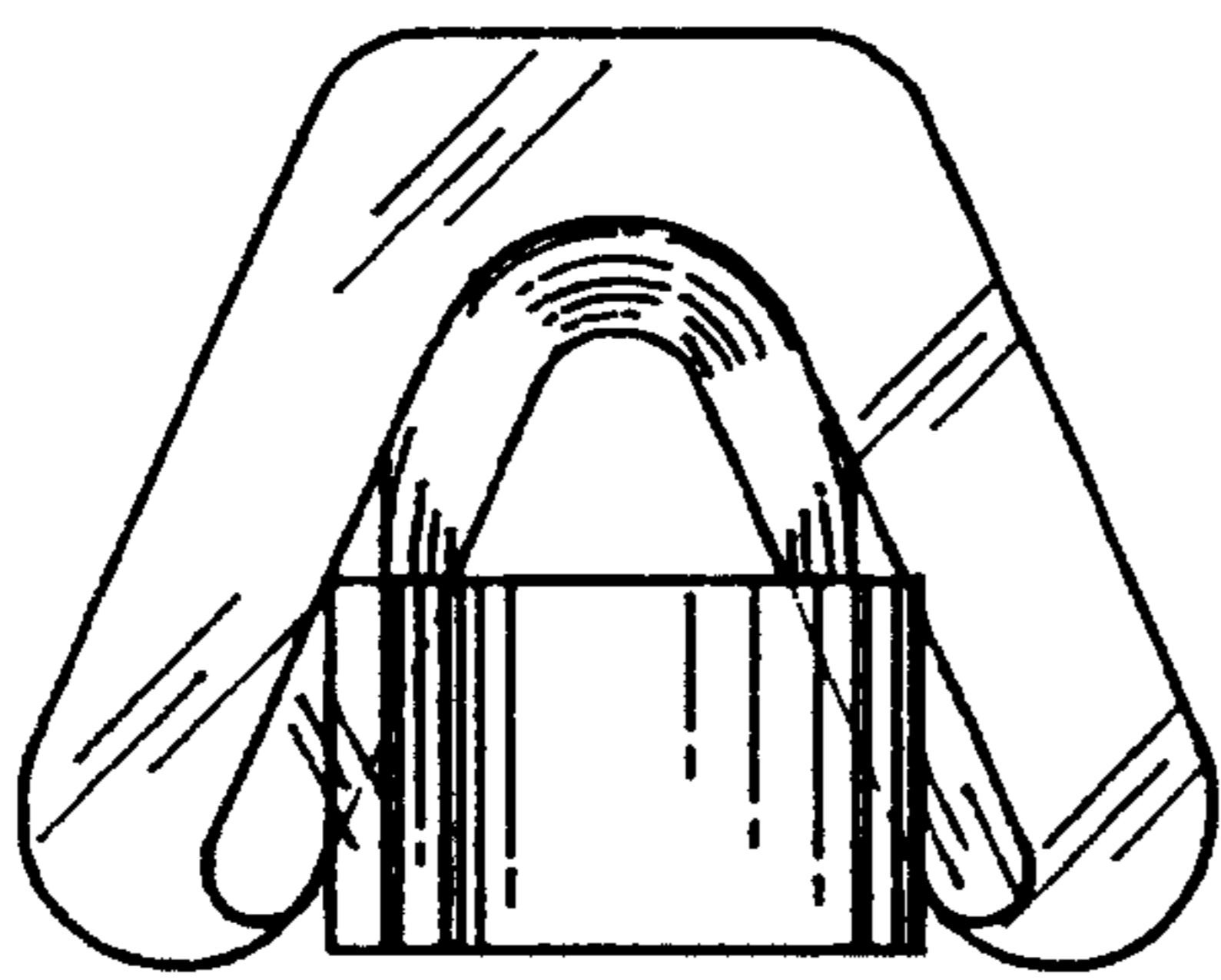


FIG. 3

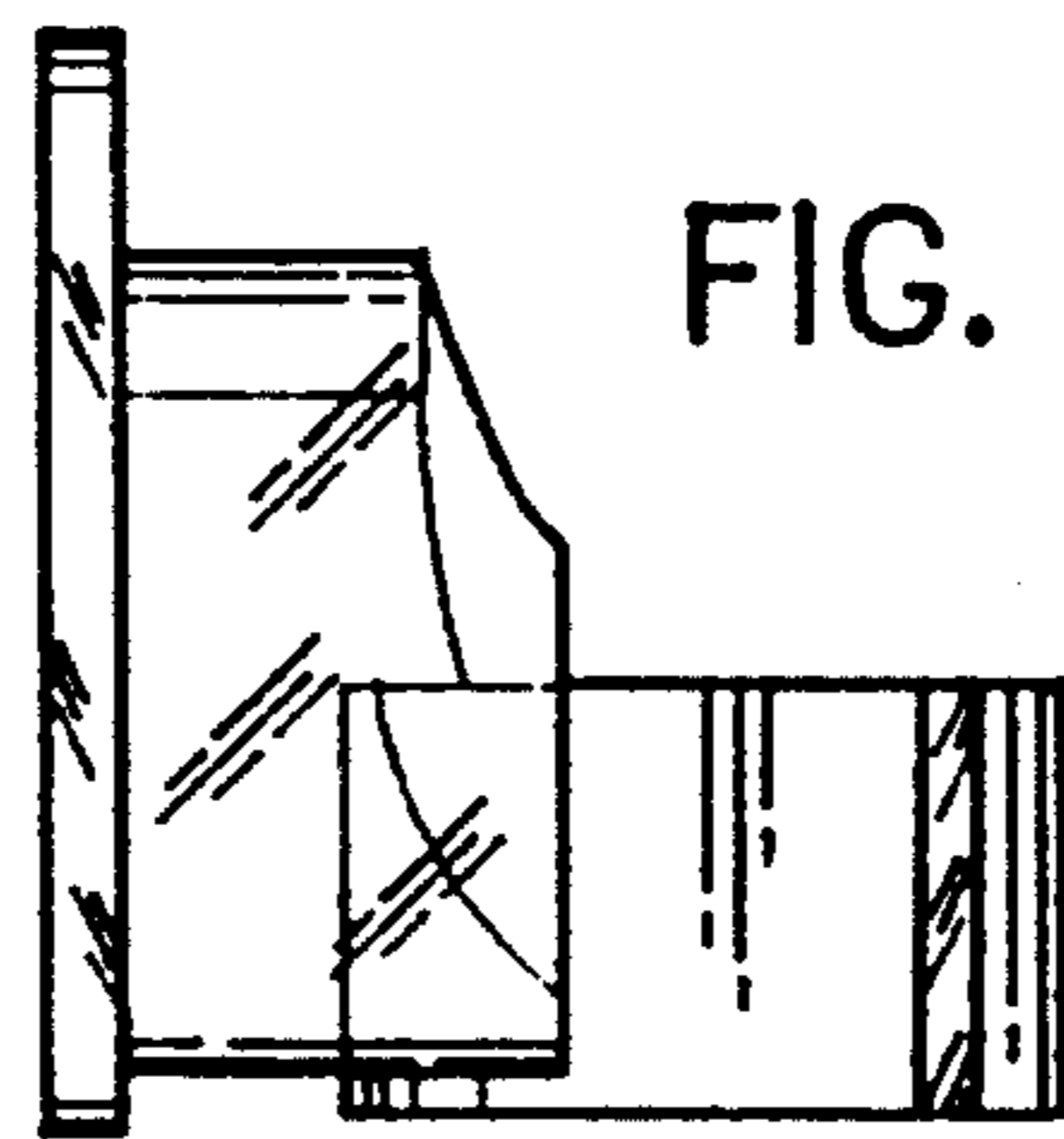


FIG. 4

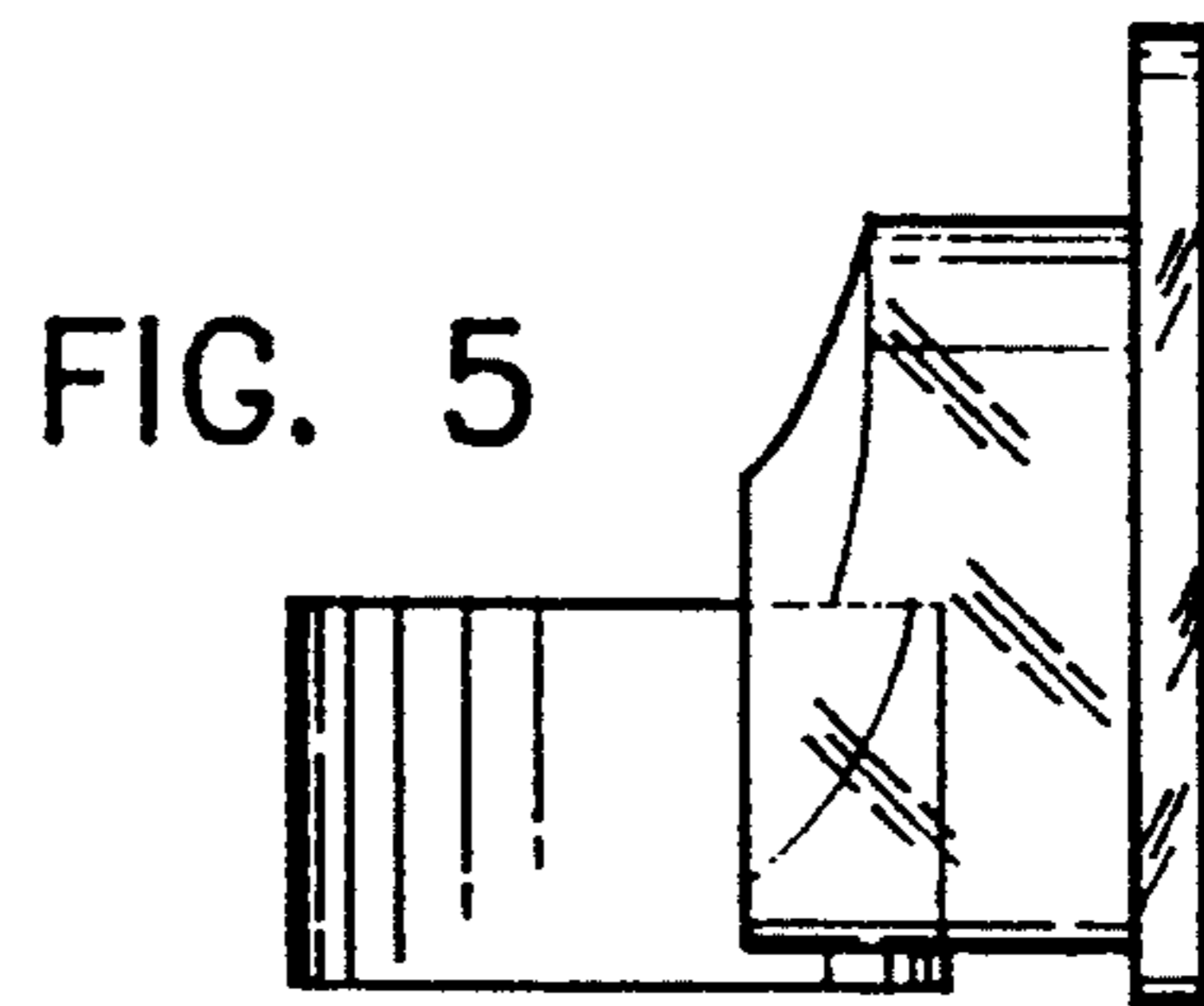


FIG. 5

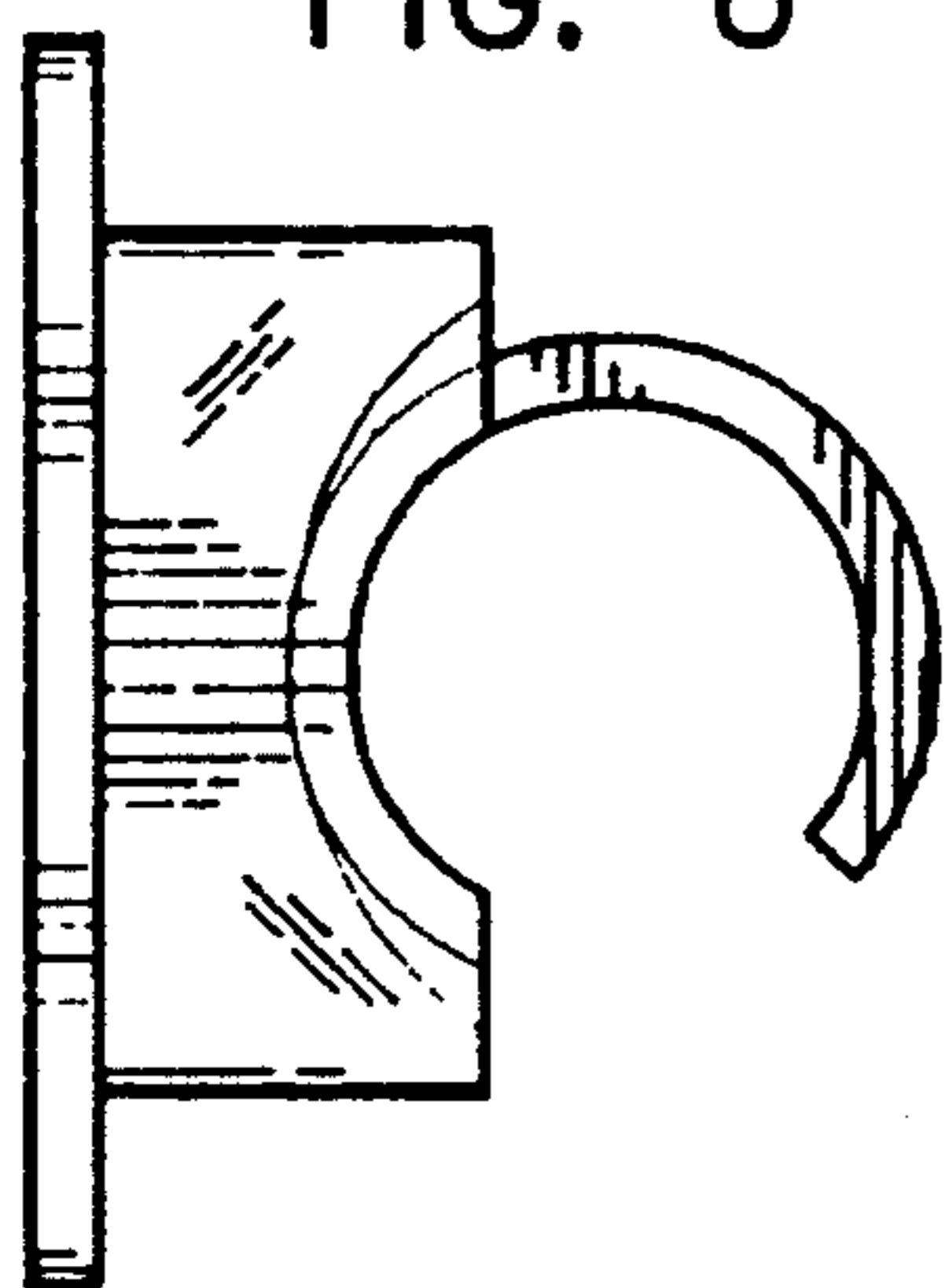


FIG. 6

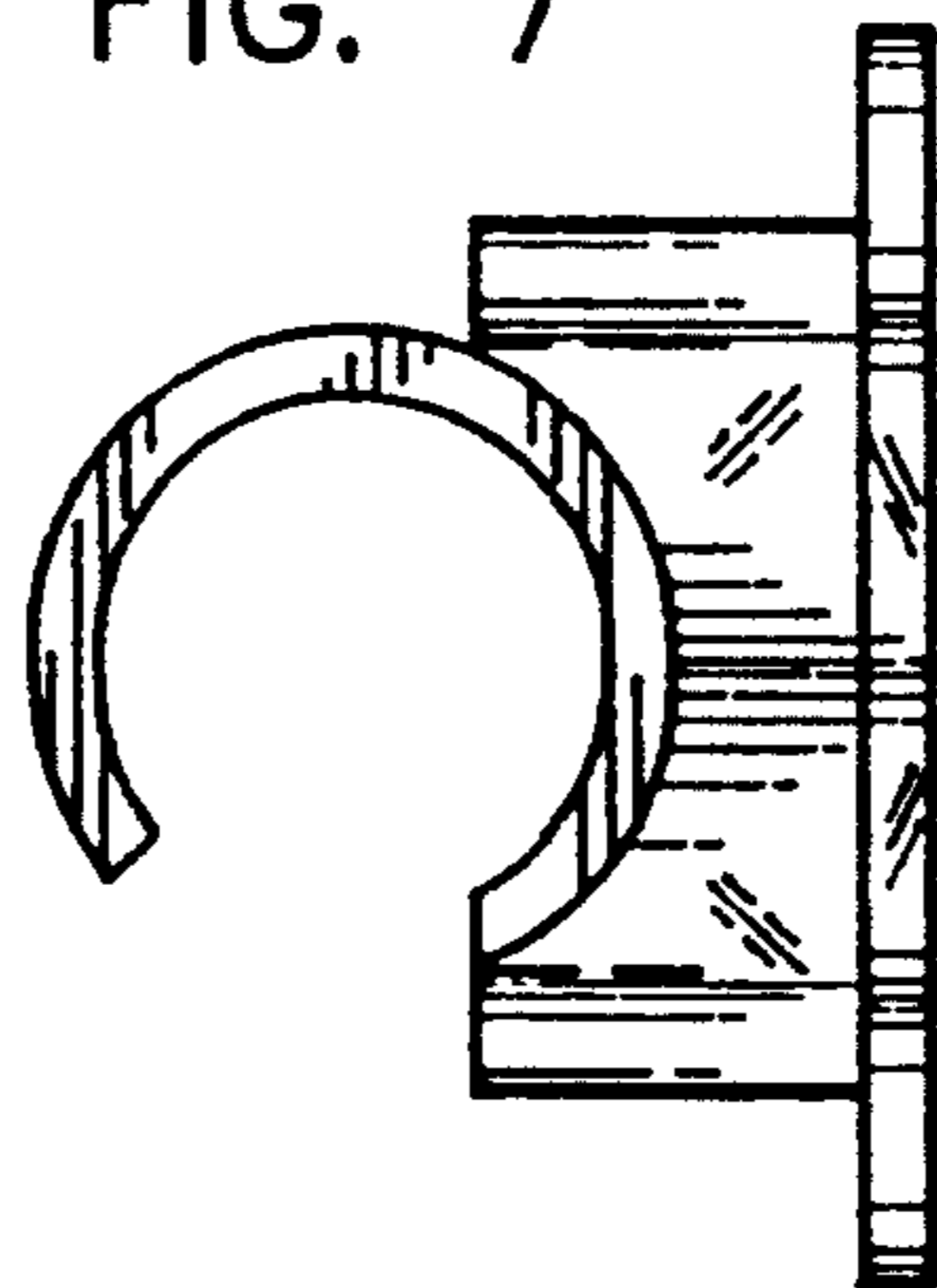


FIG. 7

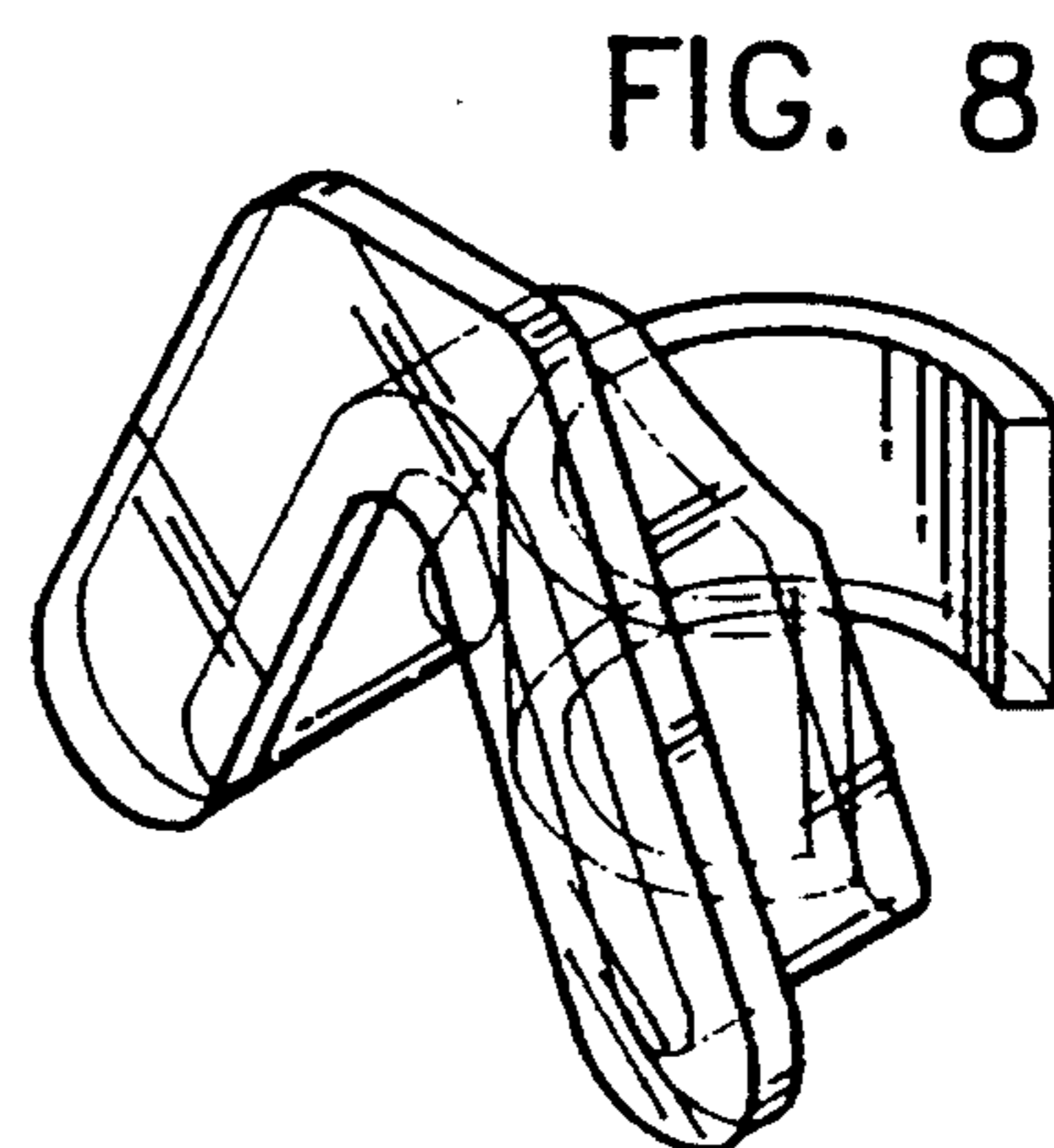


FIG. 8