



US00D351943S

**United States Patent** [19]  
**Young**

[11] **Patent Number: Des. 351,943**  
[45] **Date of Patent: \*\* Nov. 1, 1994**

[54] **COMBINED BACKPACK AND STEREO**

4,700,395 10/1987 Long ..... D14/172

[76] **Inventor: Patricia A. Young, 919 Clymar Ave., Compton, Calif. 90220**

*Primary Examiner*—A. Hugo Word  
*Assistant Examiner*—Celia A. Murphy  
*Attorney, Agent, or Firm*—Terry M. Gernstein

[\*\*] **Term: 14 Years**

[21] **Appl. No.: 6,240**

[57] **CLAIM**

[22] **Filed: Mar. 23, 1993**

The ornamental design for a combined backpack and stereo, as shown and described.

[52] **U.S. Cl. .... D3/216; D3/217**

[58] **Field of Search ..... D3/216, 217, 218, 270; 224/148, 153, 182, 224; D34/26**

**DESCRIPTION**

[56] **References Cited**

**U.S. PATENT DOCUMENTS**

- D. 302,766 8/1989 Johnston .
- D. 302,903 8/1989 Johnston ..... D3/274
- D. 304,881 12/1989 Zinbarg .
- D. 334,285 3/1993 Wilson ..... D3/218
- 2,298,754 10/1942 Davis ..... D3/274
- 2,486,536 11/1949 Olson ..... D3/274

FIG. 1 is a perspective view of a combined backpack and stereo showing my new design; the broken away cord in FIGS. 1 through 5 representing undetermined length;

FIG. 2 is a front elevational view thereof;  
FIG. 3 is a rear elevational view thereof;  
FIG. 4 is a side elevational view thereof;  
FIG. 5 is a side elevational view thereof;  
FIG. 6 is a top plan view thereof; and,  
FIG. 7 is a bottom plan view thereof.

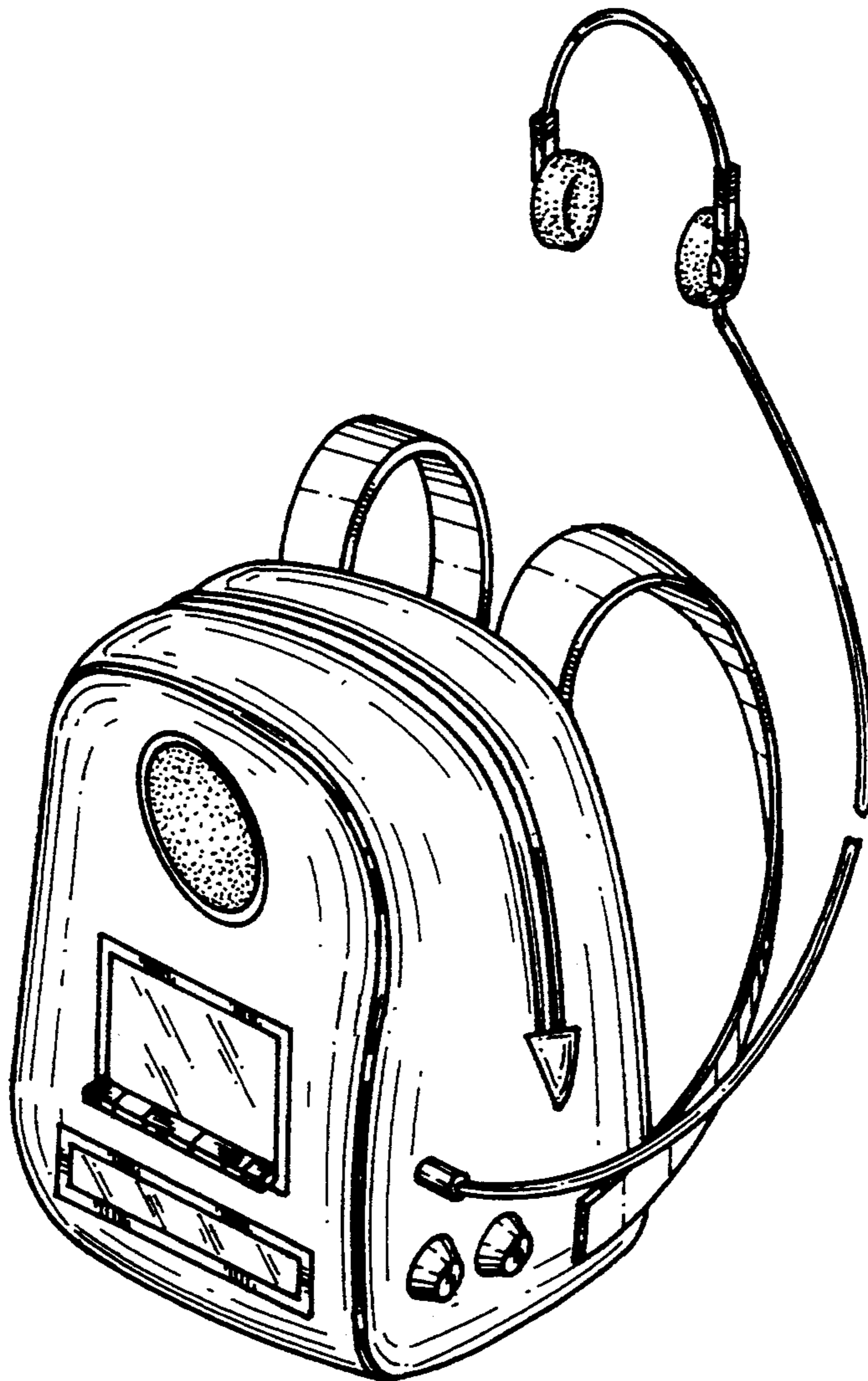
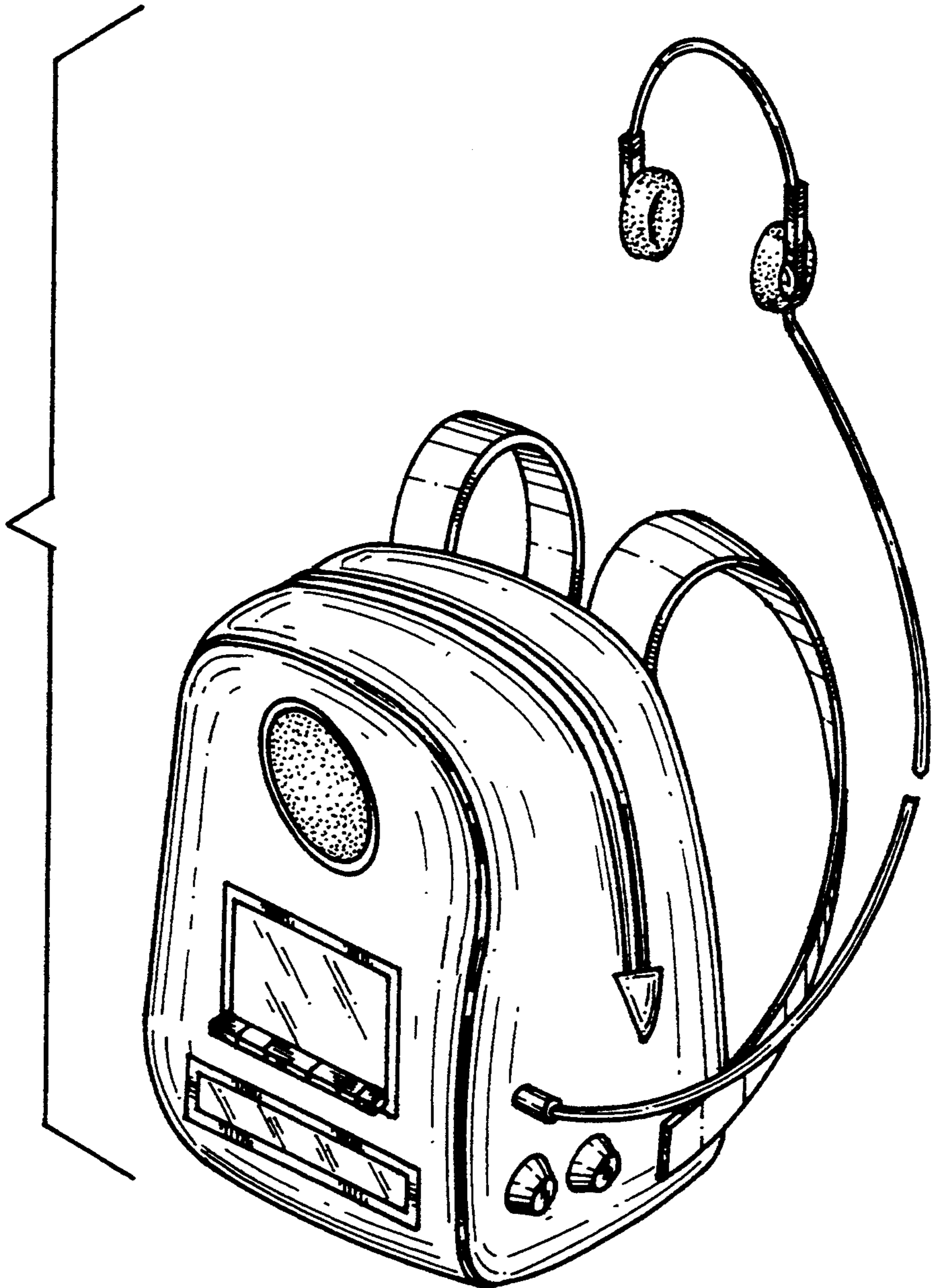


FIG. 1.



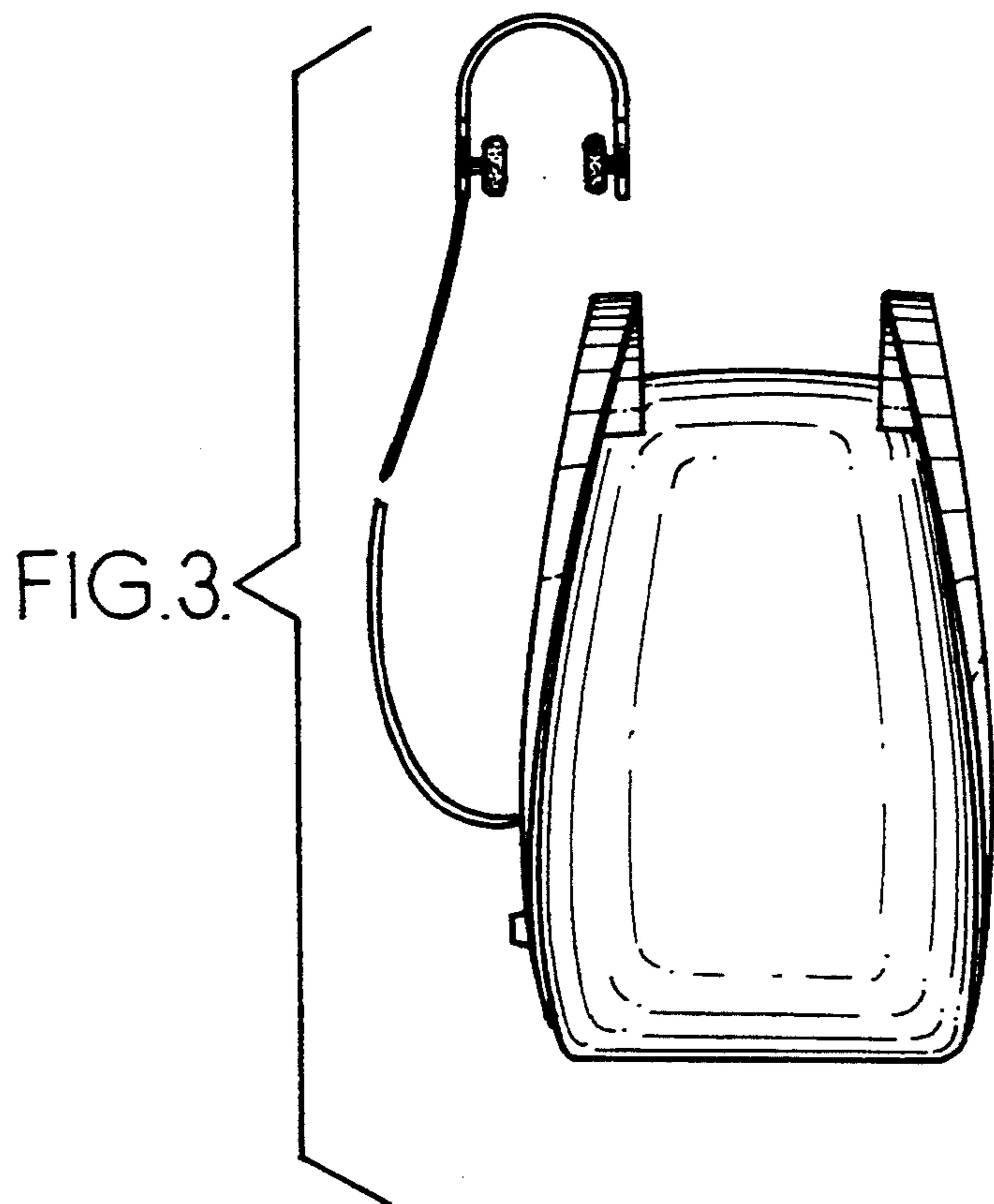
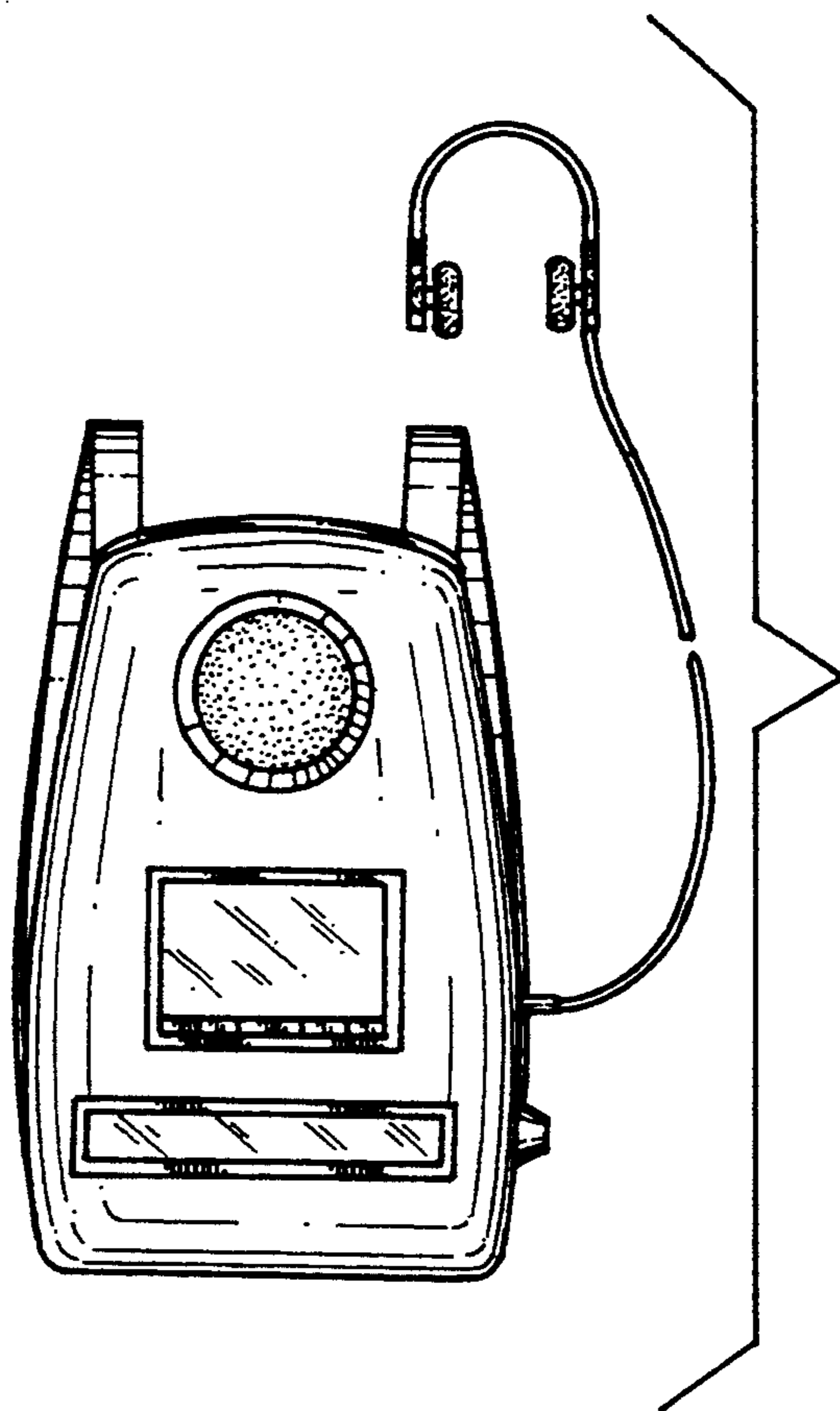


FIG. 4.

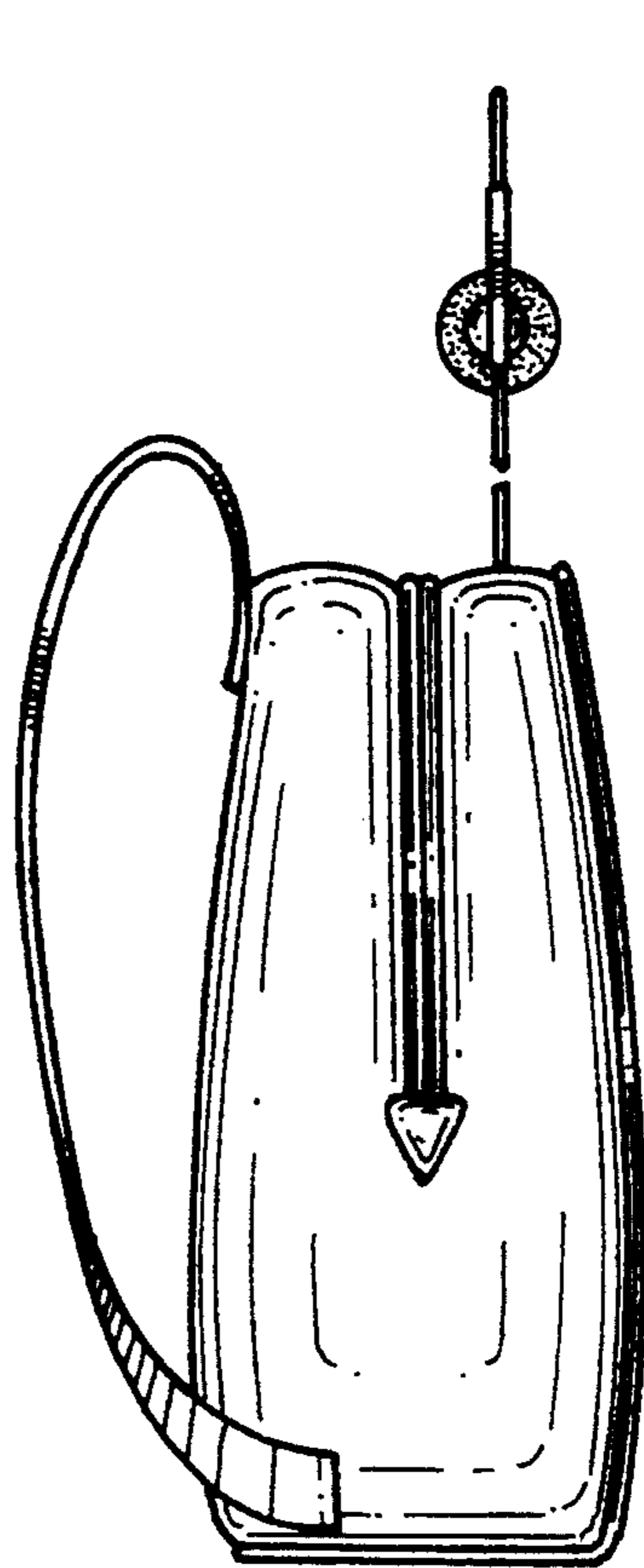


FIG. 5.

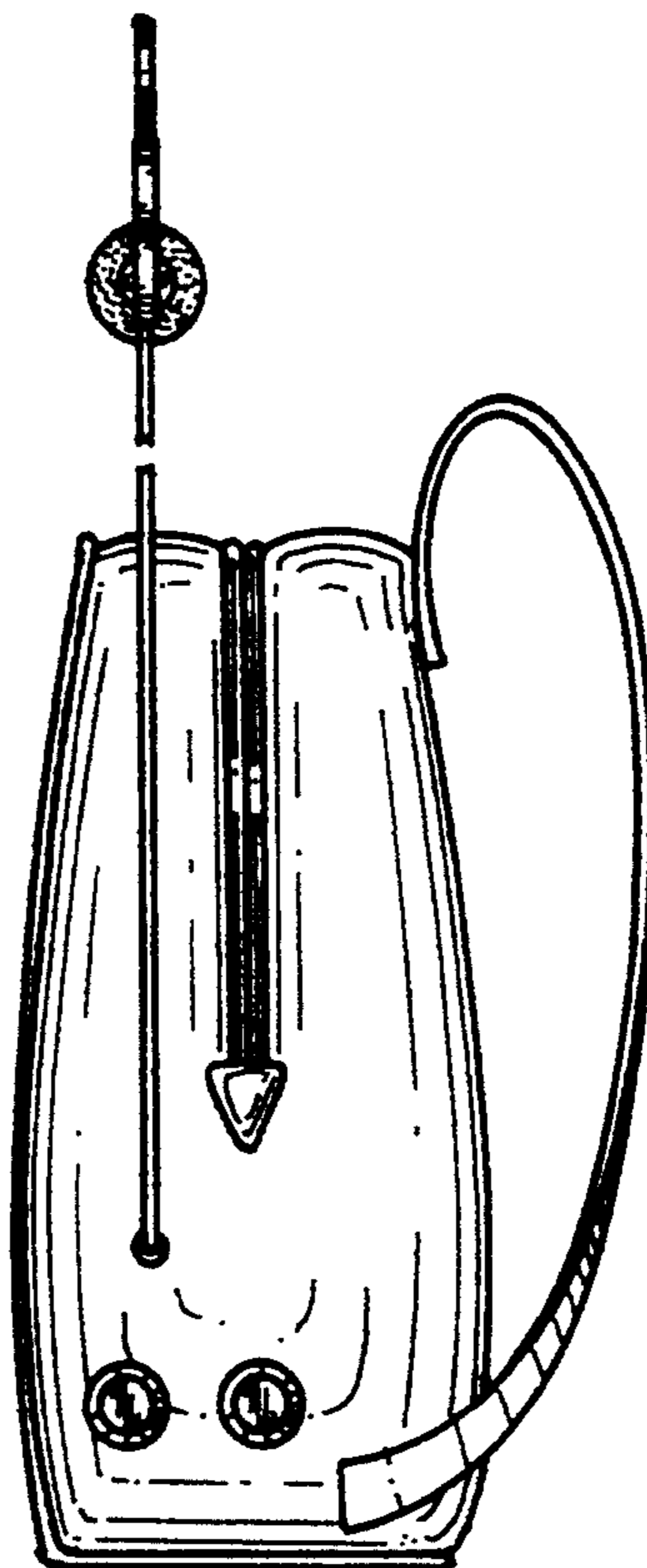


FIG. 6.

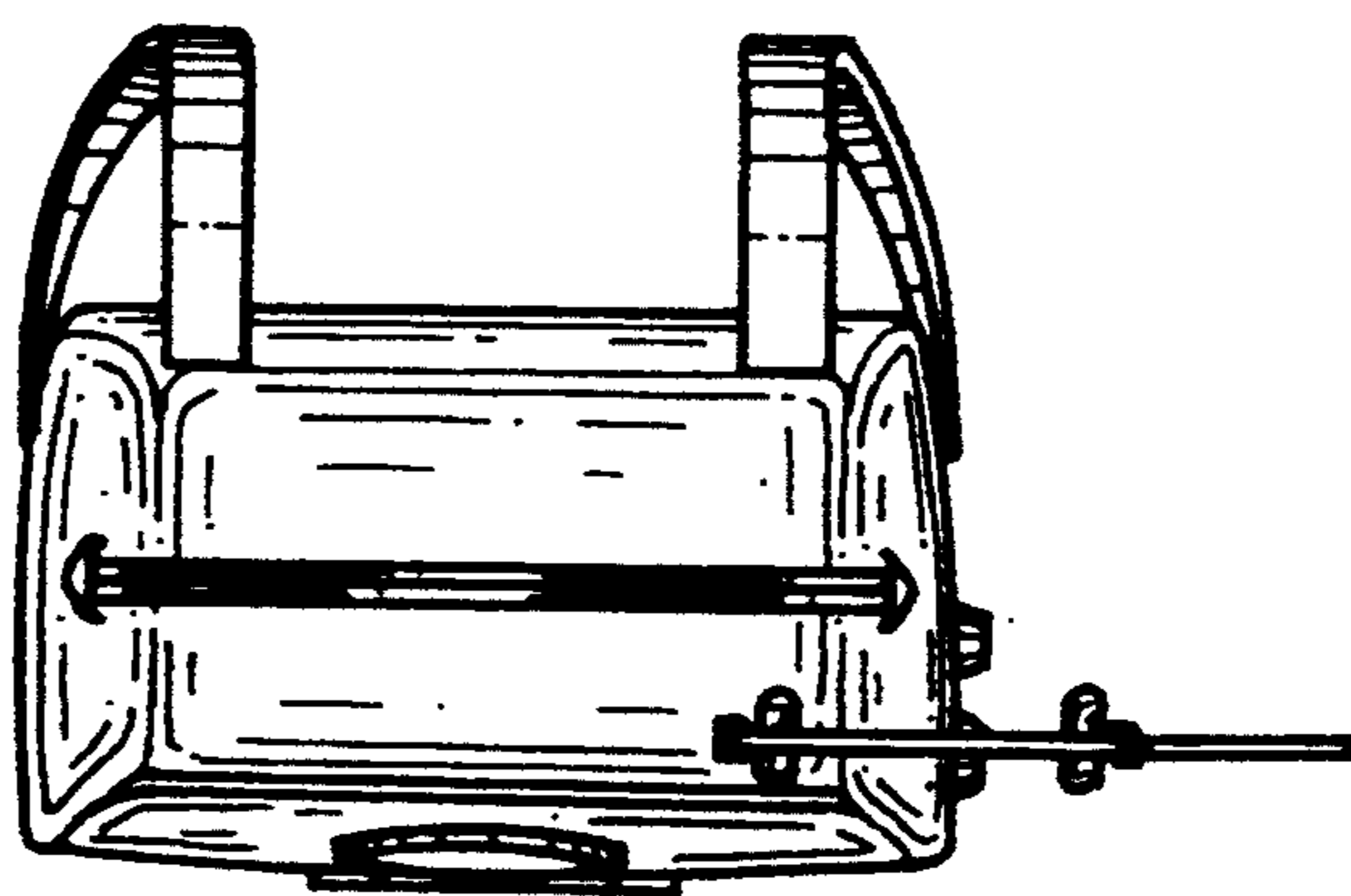


FIG. 7.

