



US00D351932S

# United States Patent [19]

[11] Patent Number: **Des. 351,932**

Ito et al.

[45] Date of Patent: **\*\* Nov. 1, 1994**

## [54] AIR CLEANER

[75] Inventors: **Masafumi Ito**, Tokyo; **Minoru Sube**, Hachioji; **Haruki Takita**, Tokyo; **Hiroyuki Watanabe**, Oume, all of Japan

[73] Assignee: **Teac Corporation**, Tokyo, Japan

[\*\*] Term: **14 Years**

[21] Appl. No.: **8,896**

[22] Filed: **May 28, 1993**

### [30] Foreign Application Priority Data

Dec. 2, 1992 [JP] Japan ..... 4-35431

[52] U.S. Cl. .... **D23/364**

[58] Field of Search ..... 422/122; 55/356, 471, 55/472; D23/335, 364, 370, 381, 380, 366, 368, 369

### [56] References Cited

#### U.S. PATENT DOCUMENTS

D. 340,510 10/1993 Wood et al. .... D23/364

## OTHER PUBLICATIONS

Hong Kong Enterprise, Jun. 1992, p. 307, Air Purifier Ionizer AF-83, top right side of page.

Nissan Catalog Publication published in 1992.

Car Mate 1992 advertisement for Super Ozonic.

*Primary Examiner*—Lisa P. Lichtenstein

*Attorney, Agent, or Firm*—Michael N. Meller

## [57] CLAIM

The ornamental design for an air cleaner, as shown.

## DESCRIPTION

FIG. 1 is a perspective view of an air cleaner showing our new design;

FIG. 2 is a front elevational view thereof;

FIG. 3 is a rear elevational view thereof;

FIG. 4 is a top plan view thereof;

FIG. 5 is a bottom plan view thereof;

FIG. 6 is a left side elevational view thereof;

FIG. 7 is a right side elevational view thereof; and,

FIG. 8 is a section view taken along line VIII—VIII of FIG. 2.

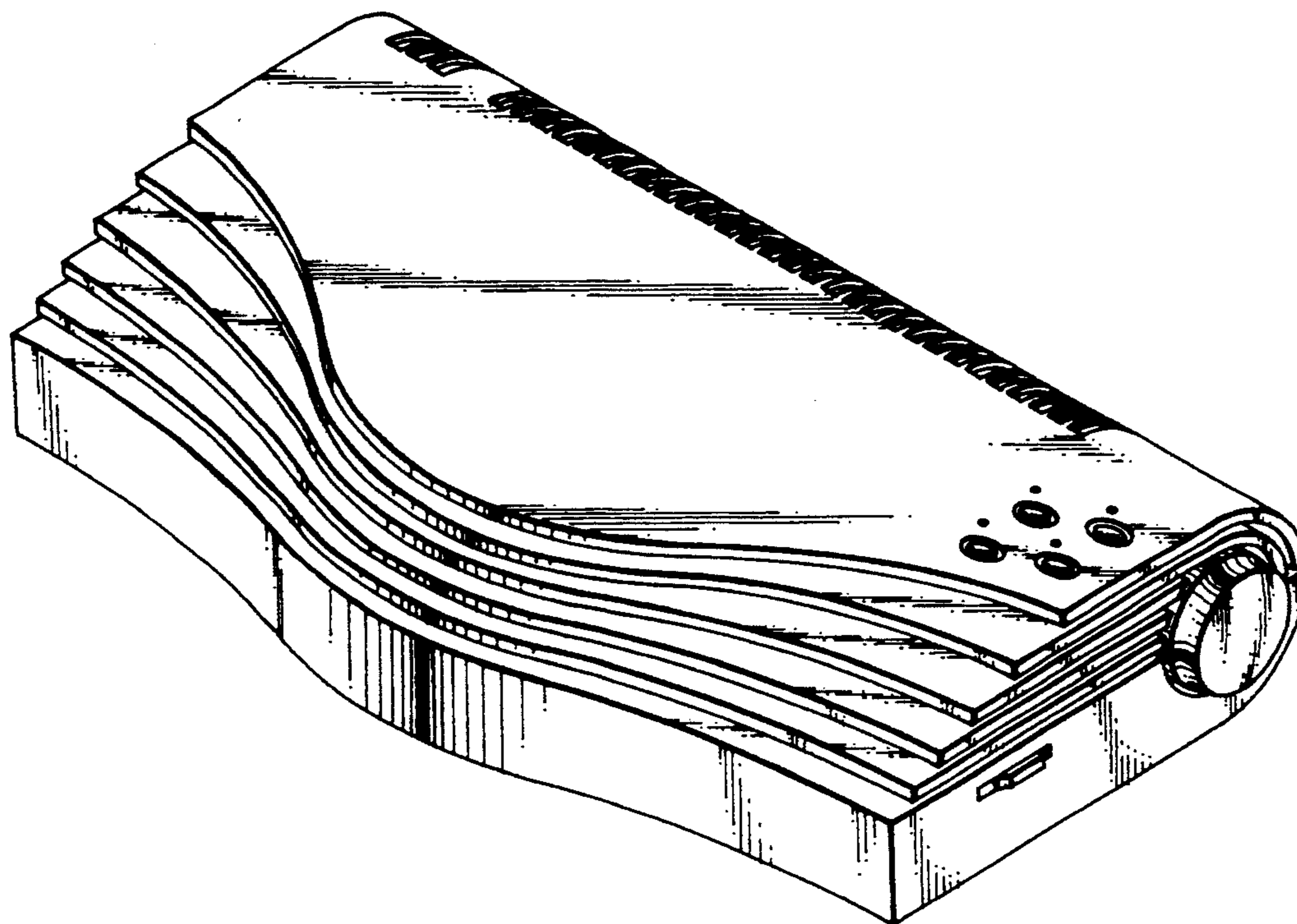


FIG. 1

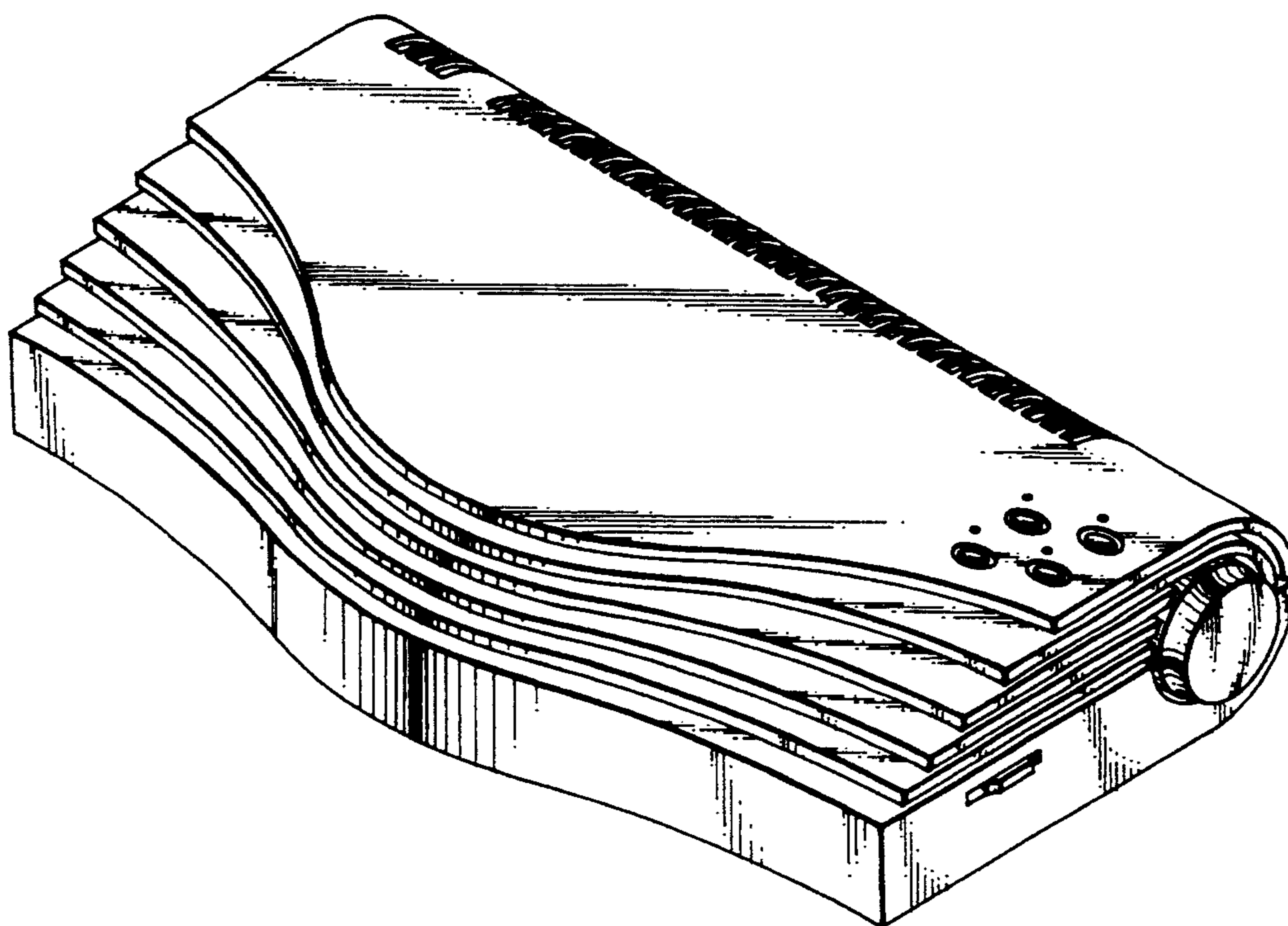


FIG. 2

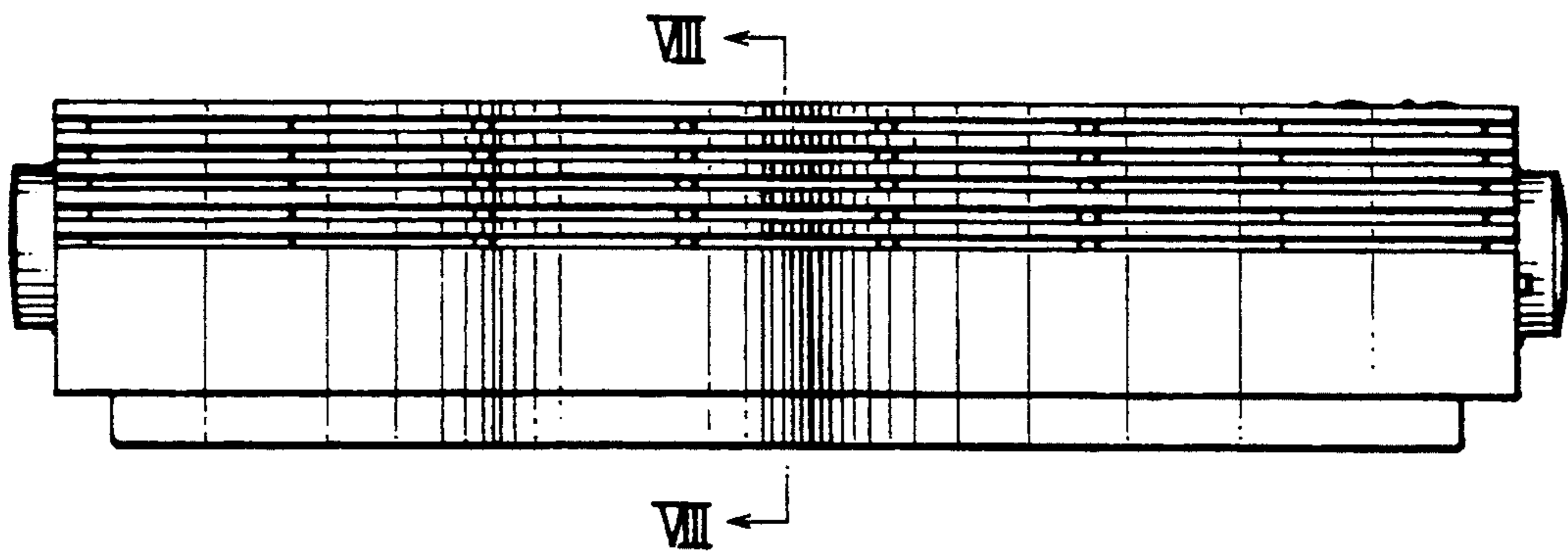


FIG. 3

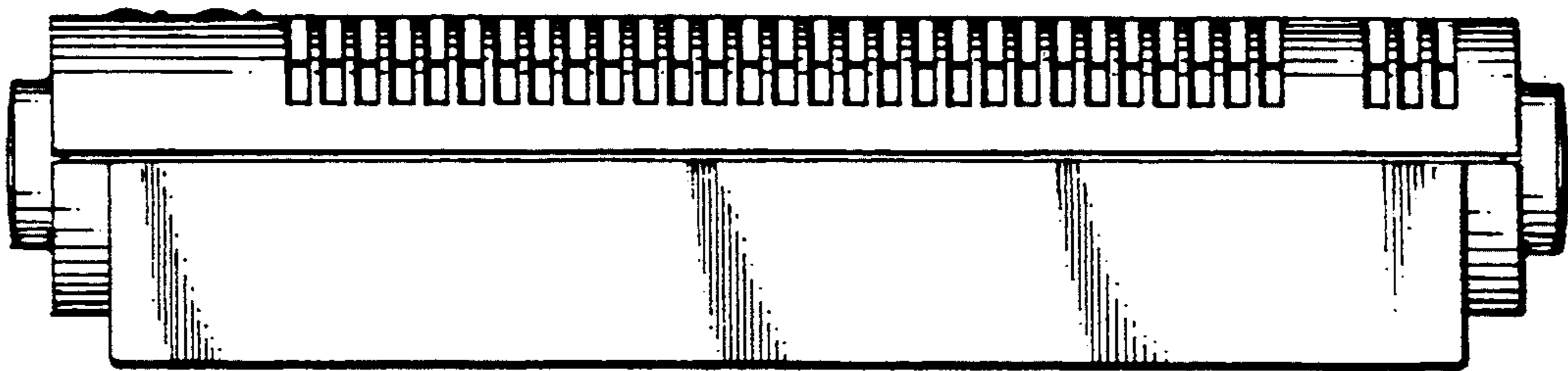


FIG. 4

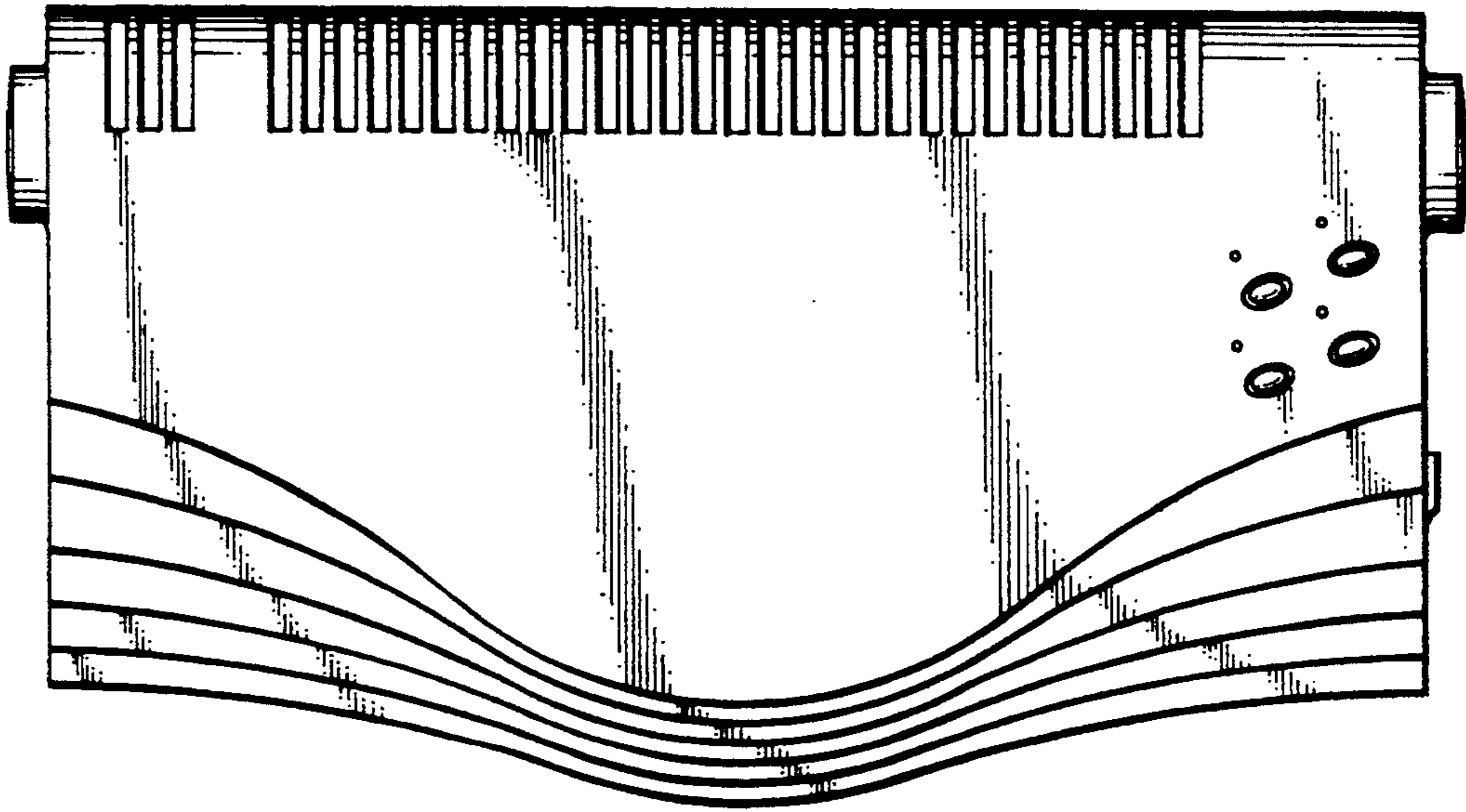


FIG. 5

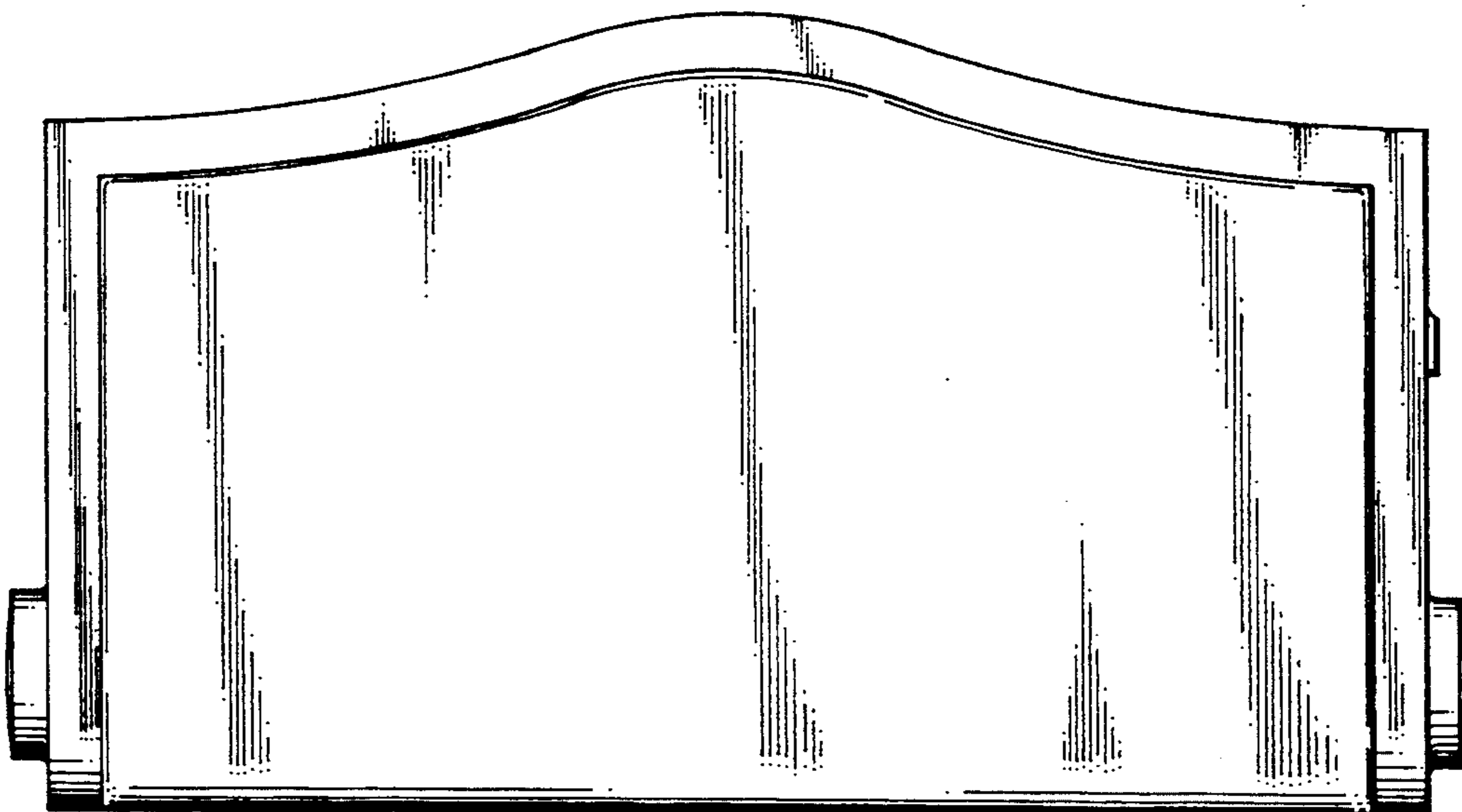


FIG. 6

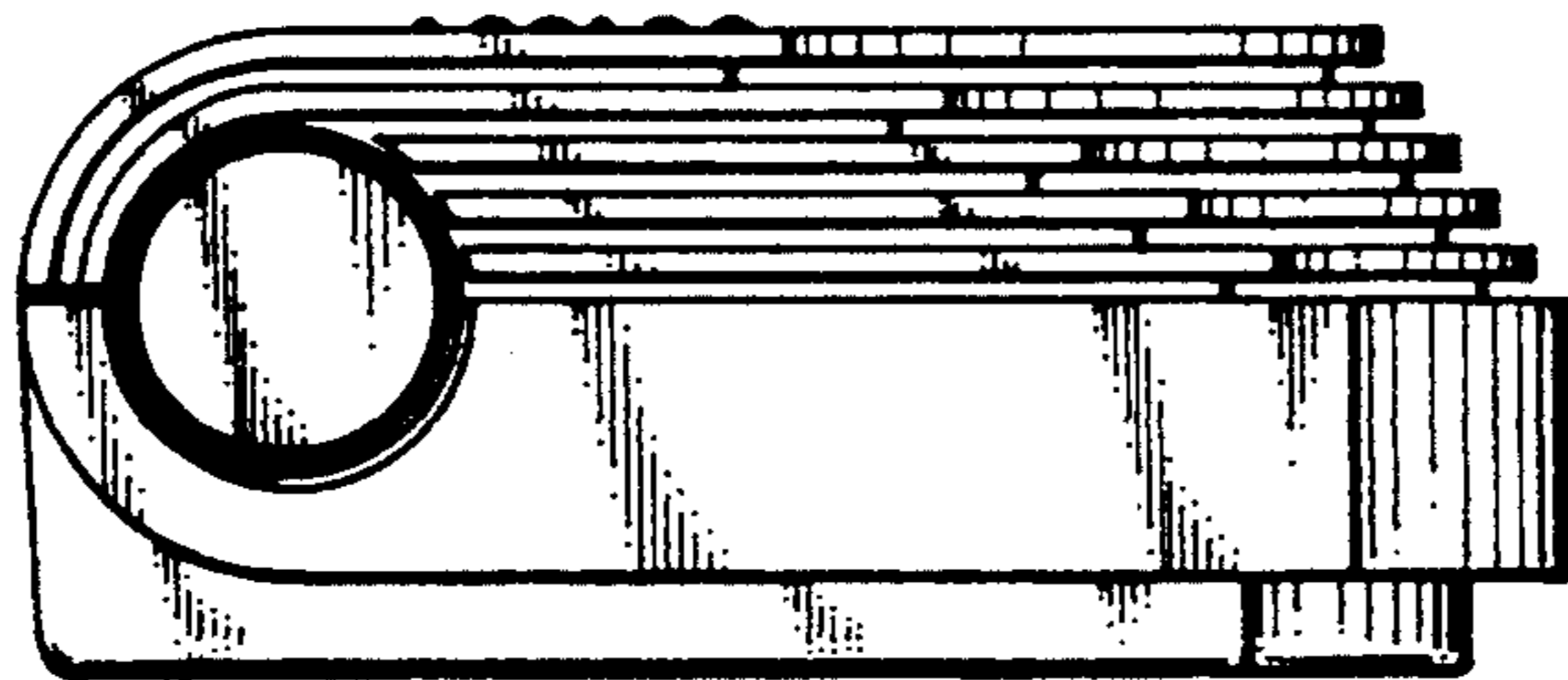


FIG. 7



FIG. 8

